

ASSEMBLY INSTRUCTIONS

MODEL: 838-06 GRIFFIN SIDEBOARD (LIGHT OAK)

Please read instructions carefully

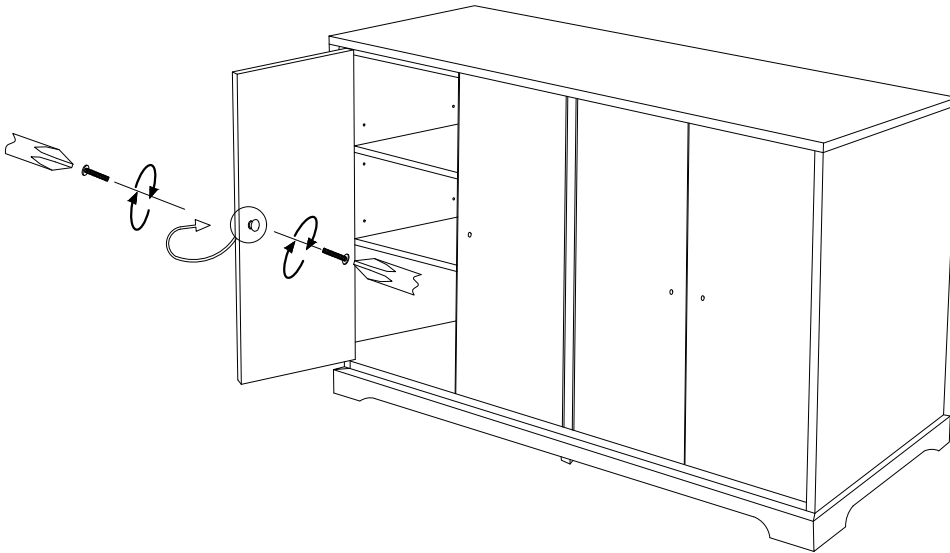
Remove all wrapping materials, staples and packing straps from the carton.

CAUTIONS: 1) DO NOT OVER-TIGHTEN BOLTS AND NUTS.

2) KEEP ALL HARDWARE PARTS OUT OF REACH OF CHILDREN.

STEP 1

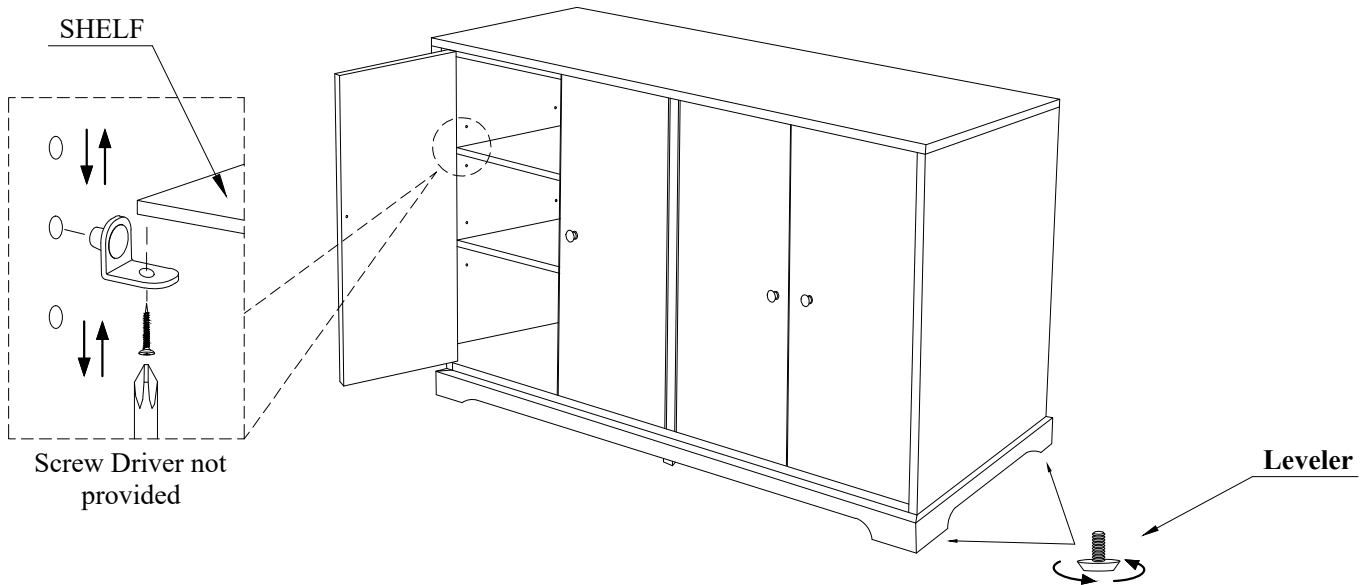
Knobs are attached behind the doors for safety. Open the door, unscrew each knob, and turn it to face front. Screw back in the knobs in the new position.



STEP 2

COMPLETE ASSEMBLY

SHELF can be moved up or down. See image below to adjust it at desire level



Adjust the levelers if needed to balance the item or adjust the height (5 levelers total)

CARE AND MAINTENANCE

SAFETY - To avoid any risk of suffocation to children or animals, dispose off the plastic bags immediately.

CLEANING - Clean with damp cloth and mild detergent. Do not use bleach or abrasive products.

FITTINGS - Tighten bolts and nuts from time to time to ensure all parts of product are securely fitted.