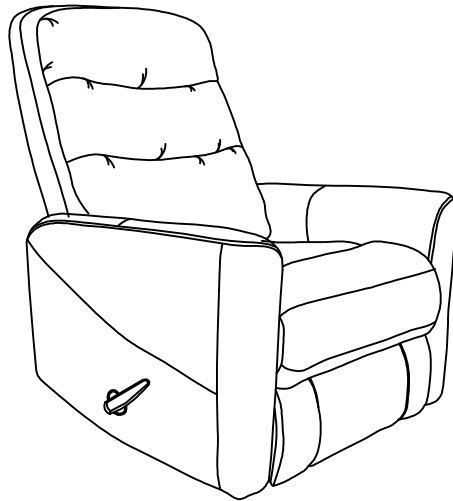
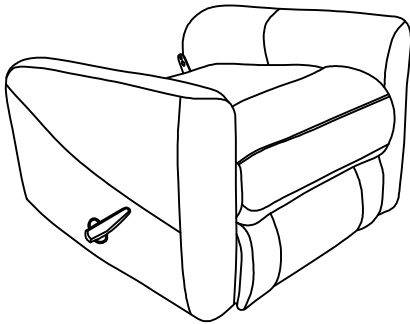


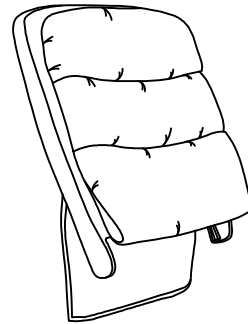
# ASSEMBLY INSTRUCTIONS



## PARTS

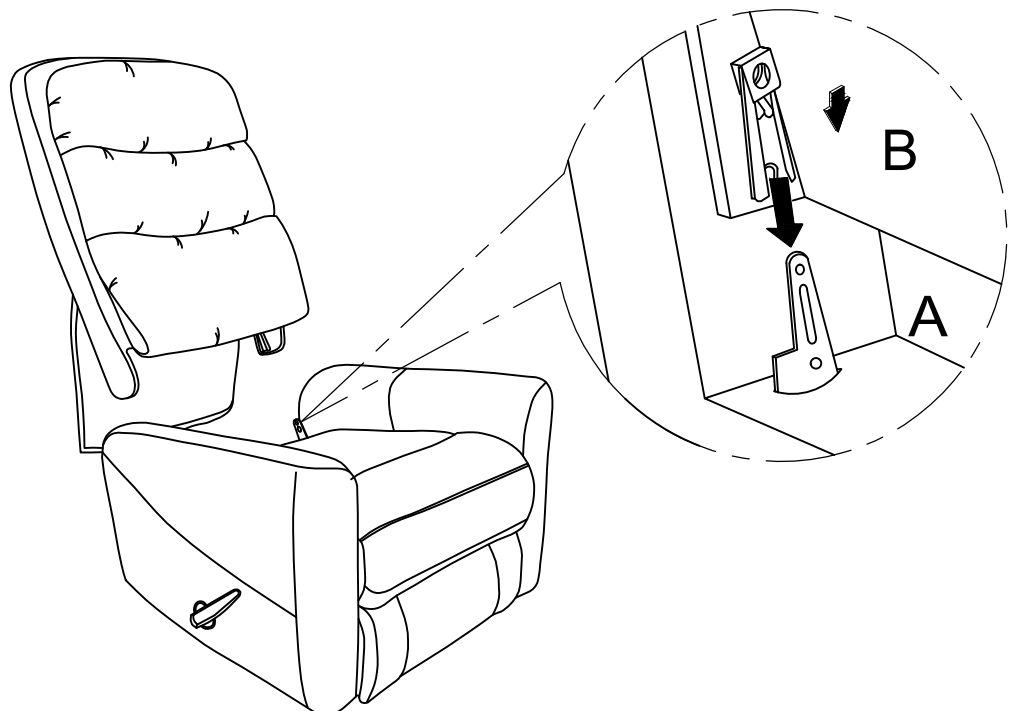


**A . SEAT BASE**  
QTY:1PC



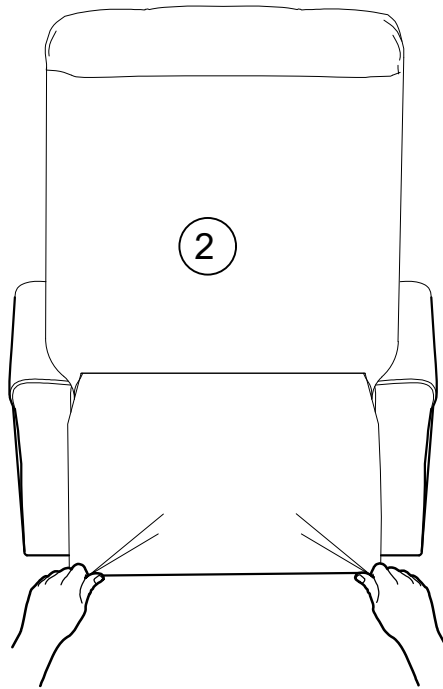
**B . BACK CUSHION**  
QTY:1 PC

## STEP 1 :



# ASSEMBLY INSTRUCTIONS

## STEP 2 :



## STEP 3:

