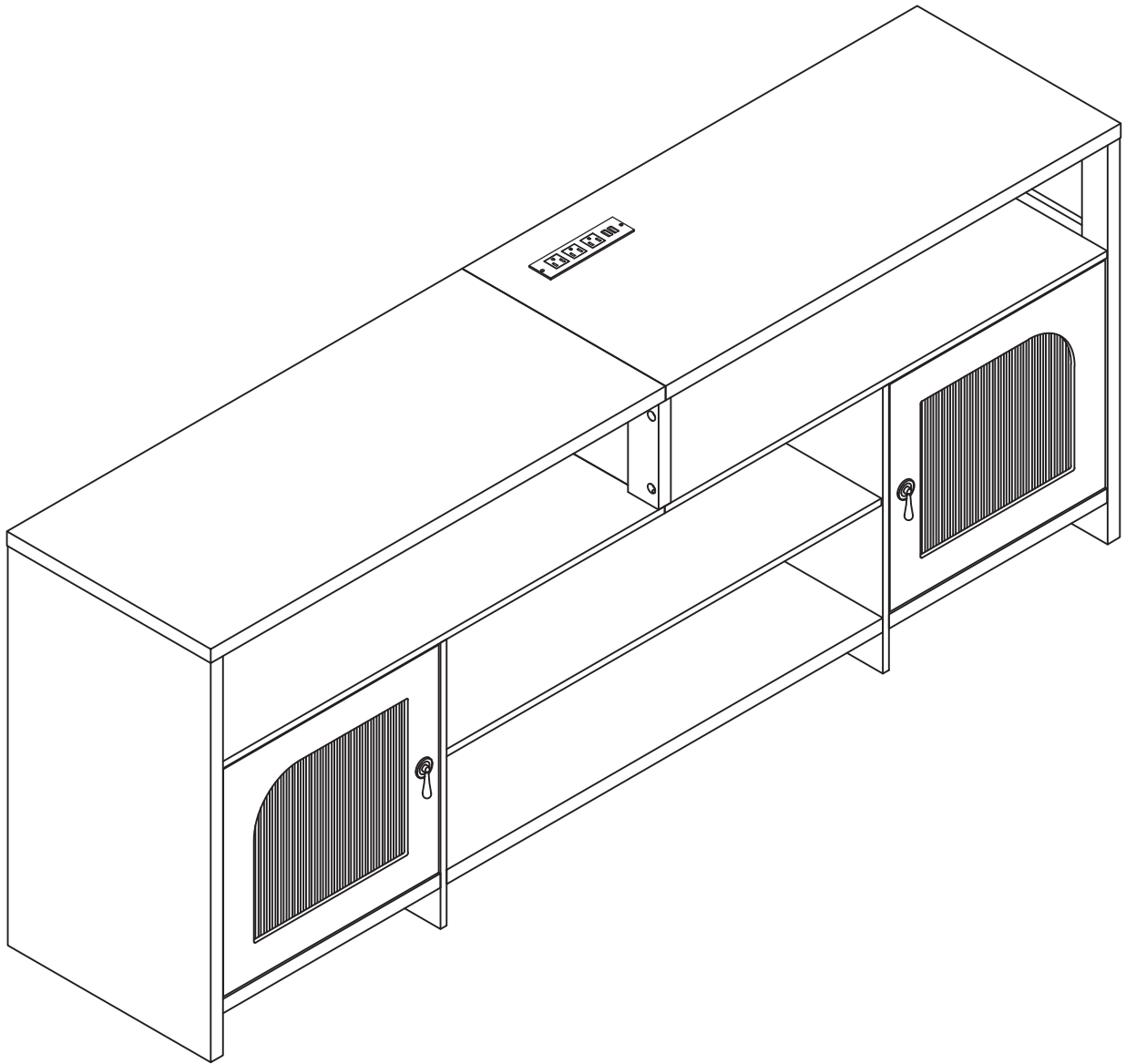
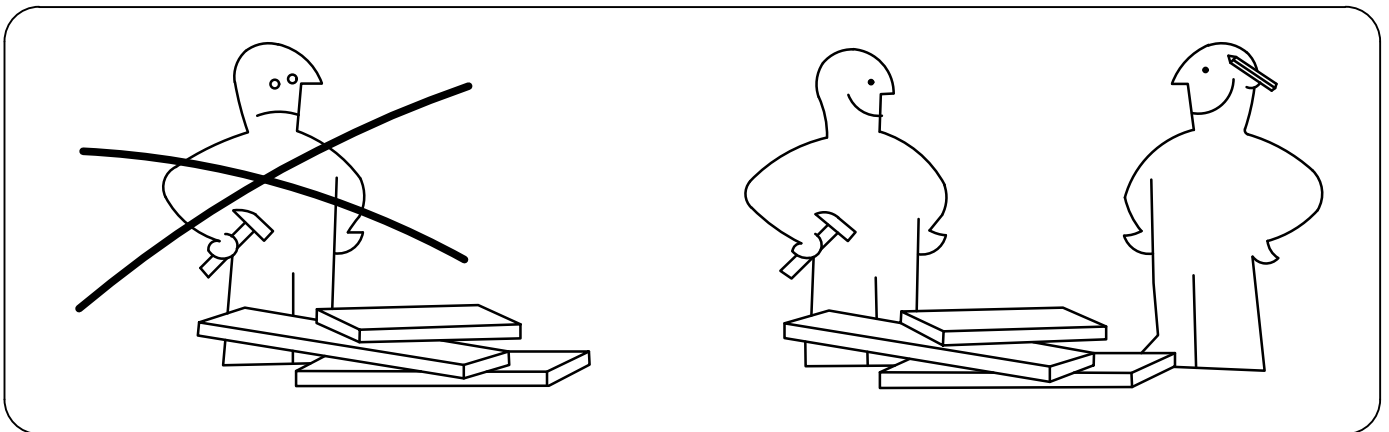
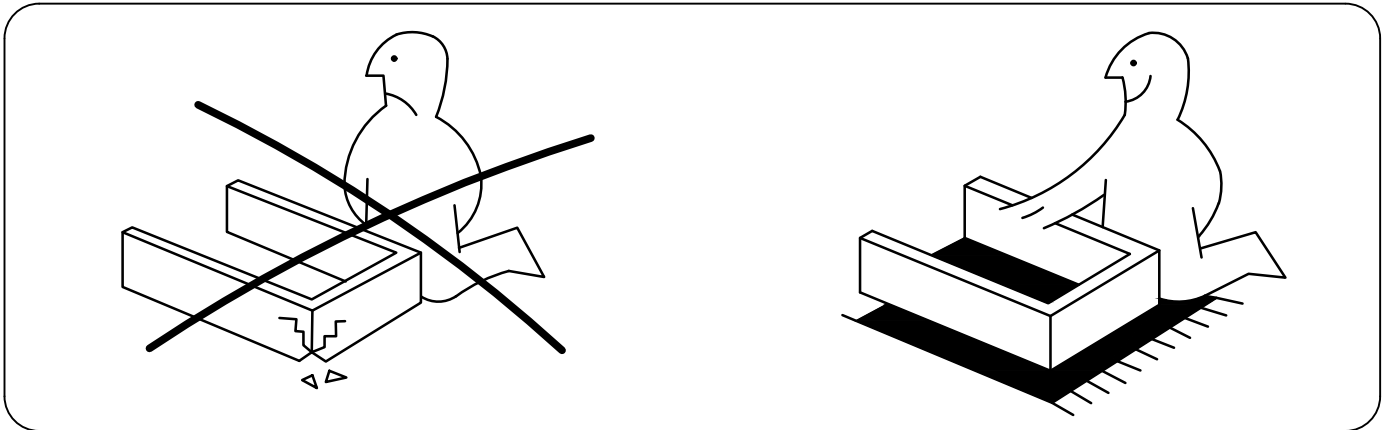


TV STAND USER MANUAL



INTRODUCTION

Thank you for purchasing our products. Committed to providing customers with the best quality products and service has always been our lifelong goal. Before using the product, please read this instruction manual carefully to ensure correct use. Keep the instruction manual in a place where the user can find it at any time.



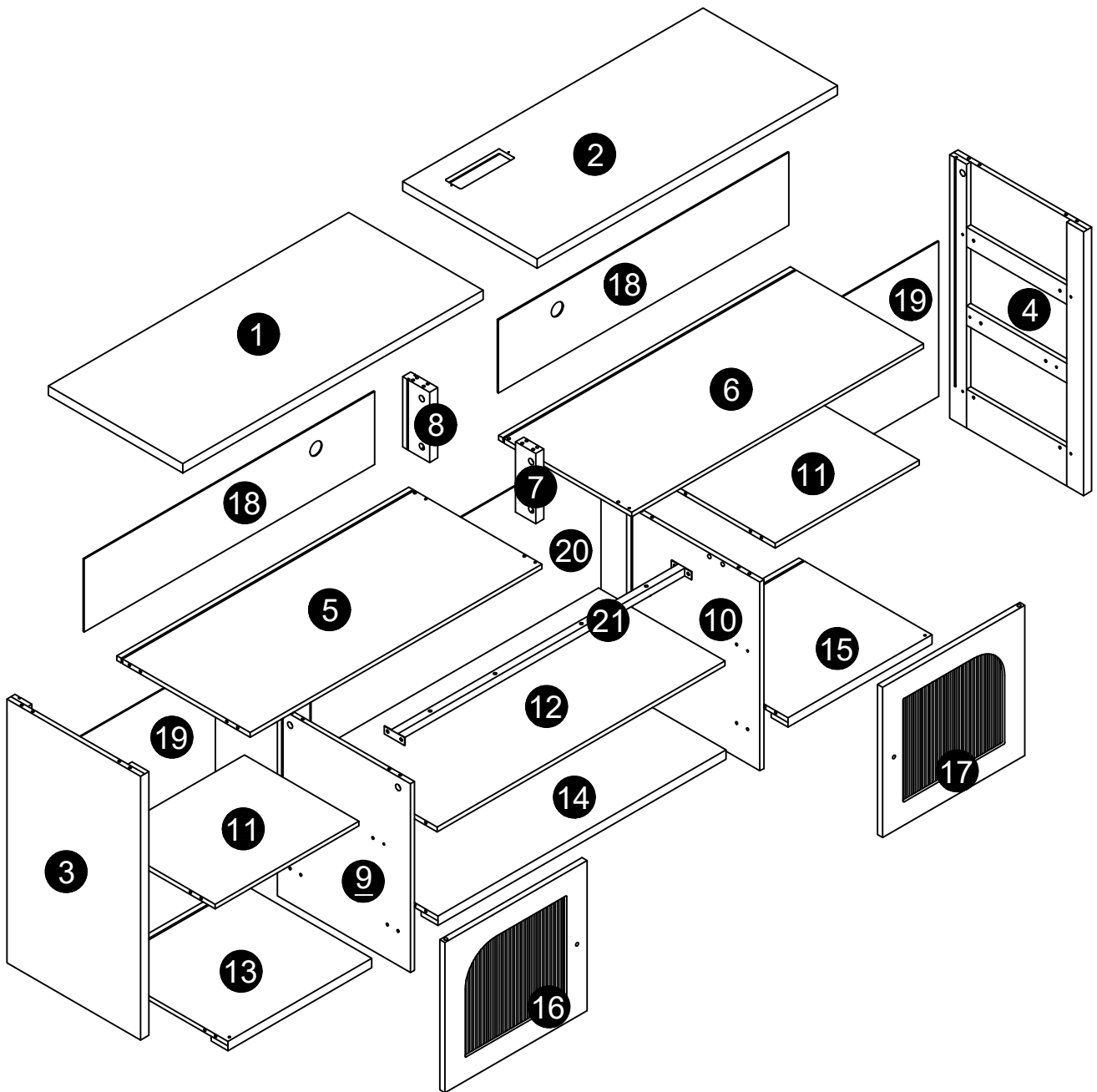
PRECAUTIONS

1. There are many components and accessories in the package. Each component and accessory is labeled with a letter or a number, check carefully before using any of them. Keep them away from children to prevent accidents.
2. Please install the product on a clean and soft underlay (such as carpet or cardboard) to avoid scratching or damaging the surface of the product.
3. The main components of the product is relatively heavy. Please pay attention to safety during installation.
4. The product is not stable during installation. Please do not move it randomly before it is completely installed.
5. If you have any questions during installation, please contact the customer service in time.

***PLEASE BE SURE TO FOLLOW THE INSTALLATION STEPS IN THE MANUAL TO AVOID UNNECESSARY LOSSES CAUSED BY IMPROPER INSTALLATION.**

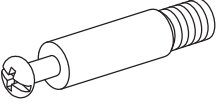
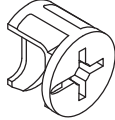
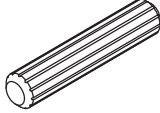
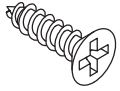
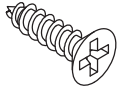
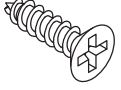
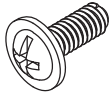
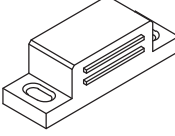
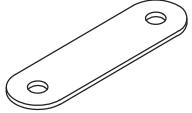
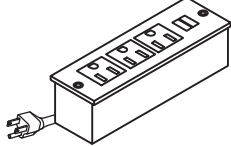


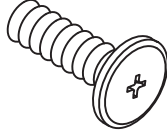
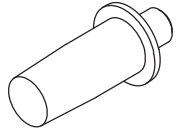

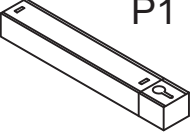
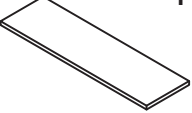


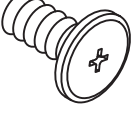


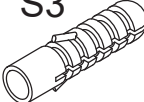
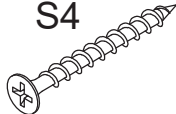
***IF YOU NEED FURTHER ASSISTANCE, PLEASE CONTACT THE CUSTOMER SERVICE ONLINE.**

PANEL LAYOUT

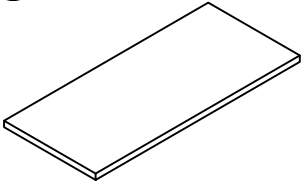
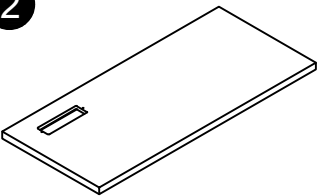

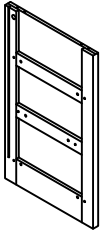
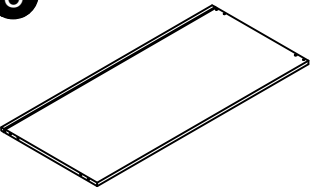
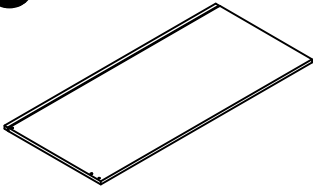
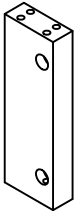
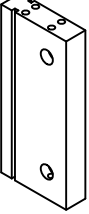
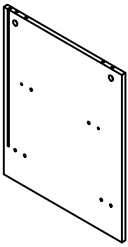
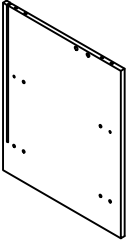
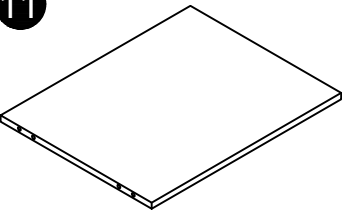
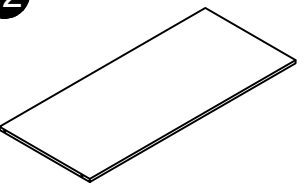
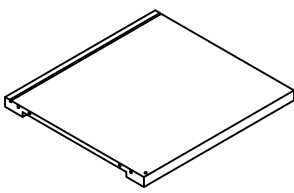
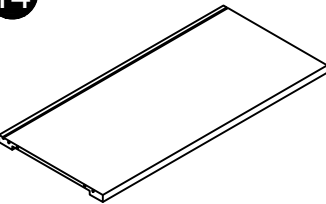
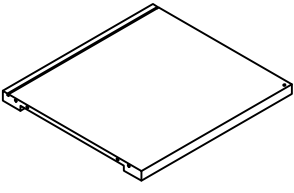
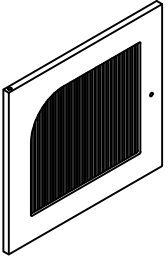
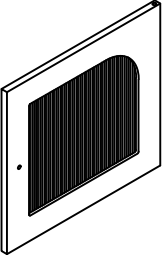
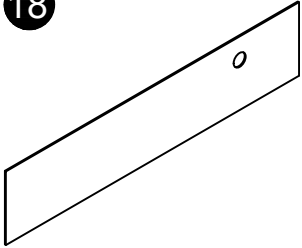
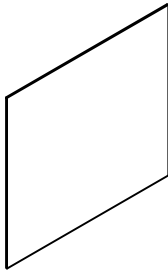
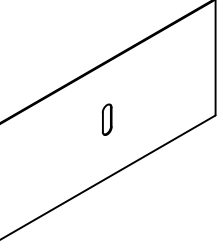
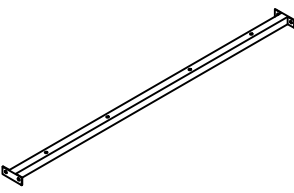


Due to the large number of boards, in order to facilitate the installation, please place the boards in order after opening the parcel and then start the installation.

HARDWARE LIST

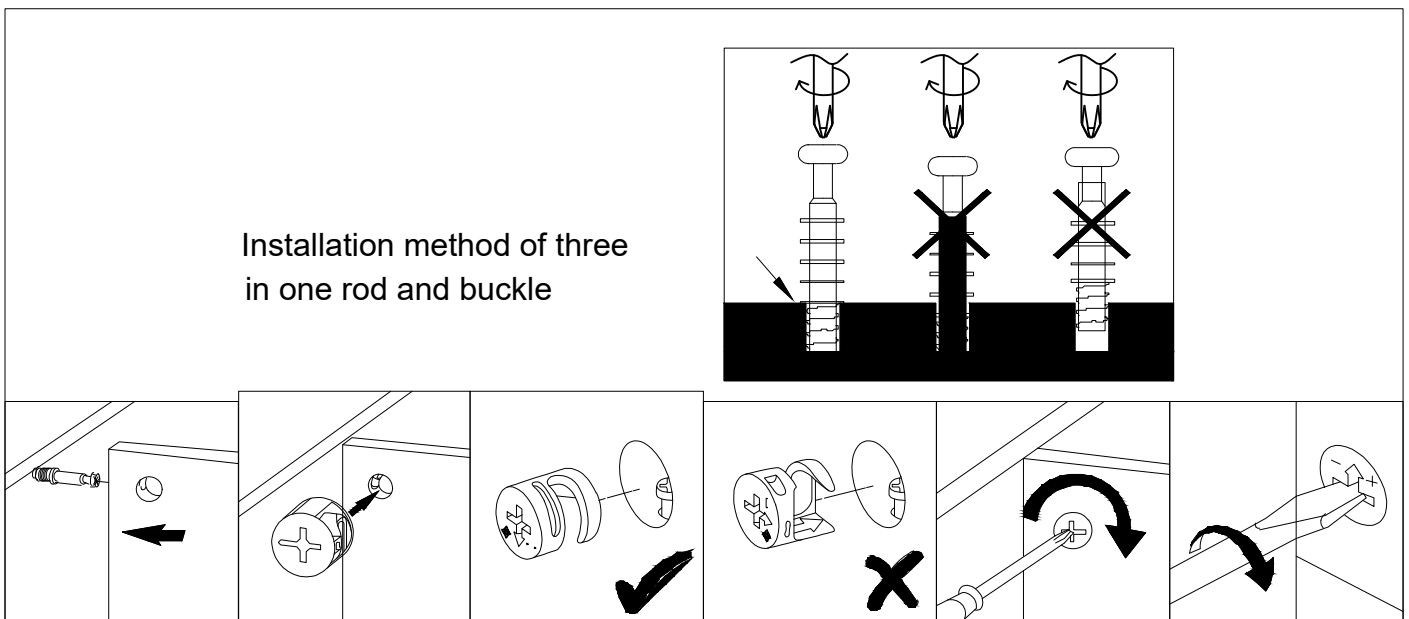
<p>A</p>  <p>6×35mm 36(+2)PCS</p>	<p>B</p>  <p>44(+2)PCS</p>	<p>C</p>  <p>6×30mm 44(+2)PCS</p>	<p>D</p>  <p>M3×12mm 4PCS</p>	<p>E</p>  <p>M3×14mm 24PCS</p>
<p>F</p>  <p>M3.5×12mm 2PCS</p>	<p>G</p>  <p>M4×18mm 2PCS</p>	<p>H</p>  <p>46×15×15mm 2PCS</p>	<p>I</p>  <p>45×12×0.8mm 2PCS</p>	<p>J</p>  <p>1PC</p>
<p>K</p>  <p>2PCS</p>	<p>L</p>  <p>15×14×10mm 20PCS</p>	<p>M</p>  <p>M6×25mm 4PCS</p>	<p>N</p>  <p>12×25mm 4PCS</p>	<p>O</p>  <p>21×1mm 16PCS</p>
<p>P</p>  <p>P1 205×25×20mm</p>  <p>P2</p>  <p>P3</p> <p>2PCS</p>			<p>Q</p>  <p>6.2×67mm 4PCS</p>	<p>R</p>  <p>M6×10mm 4PCS</p>
<p>S</p>  <p>S1</p>  <p>S2 M3×15mm</p>  <p>S3</p>  <p>S4 M3×35mm</p> <p>2PCS</p>				

PANEL LIST

<p>1</p>  <p>x1PC</p>	<p>2</p>  <p>x1PC</p>	<p>3</p>  <p>x1PC</p>	<p>4</p>  <p>x1PC</p>
<p>5</p>  <p>x1PC</p>	<p>6</p>  <p>x1PC</p>	<p>7</p>  <p>x1PC</p>	<p>8</p>  <p>x1PC</p>
<p>9</p>  <p>x1PC</p>	<p>10</p>  <p>x1PC</p>	<p>11</p>  <p>x2PCS</p>	<p>12</p>  <p>x1PC</p>
<p>13</p>  <p>x1PC</p>	<p>14</p>  <p>1x1PC</p>	<p>15</p>  <p>x1PC</p>	<p>16</p>  <p>x1PC</p>
<p>17</p>  <p>x1PC</p>	<p>18</p>  <p>x2PCS</p>	<p>19</p>  <p>x2PCS</p>	<p>20</p>  <p>x1PC</p>
<p>21</p>  <p>x1PC</p>			

TIPS

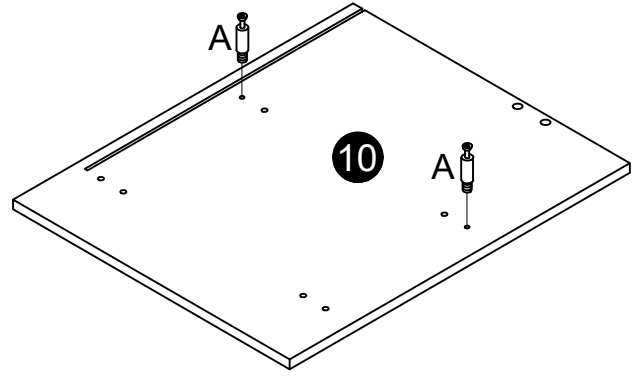
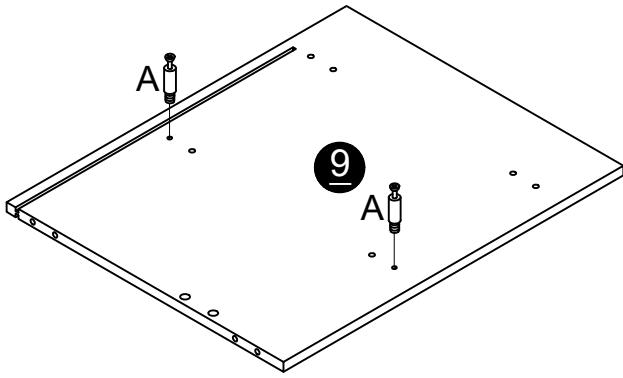
1. When installing the product, use a soft surface (such as carpet or cardboard) to avoid scratching or damaging the surface of the product.
2. Please try to use a manual screwdriver instead of electric screw driver. A manual screwdriver can be used to better control the tightness of the screws.
3. Do not use any glue.
4. The product is unstable before it is assembled. Please pay attention to the product installation sequence, and align all screws and screw holes before tightening.
5. The structure of this product can not meet the requirements of children climbing.




01

INSTALLATION STEPS

Ax4 



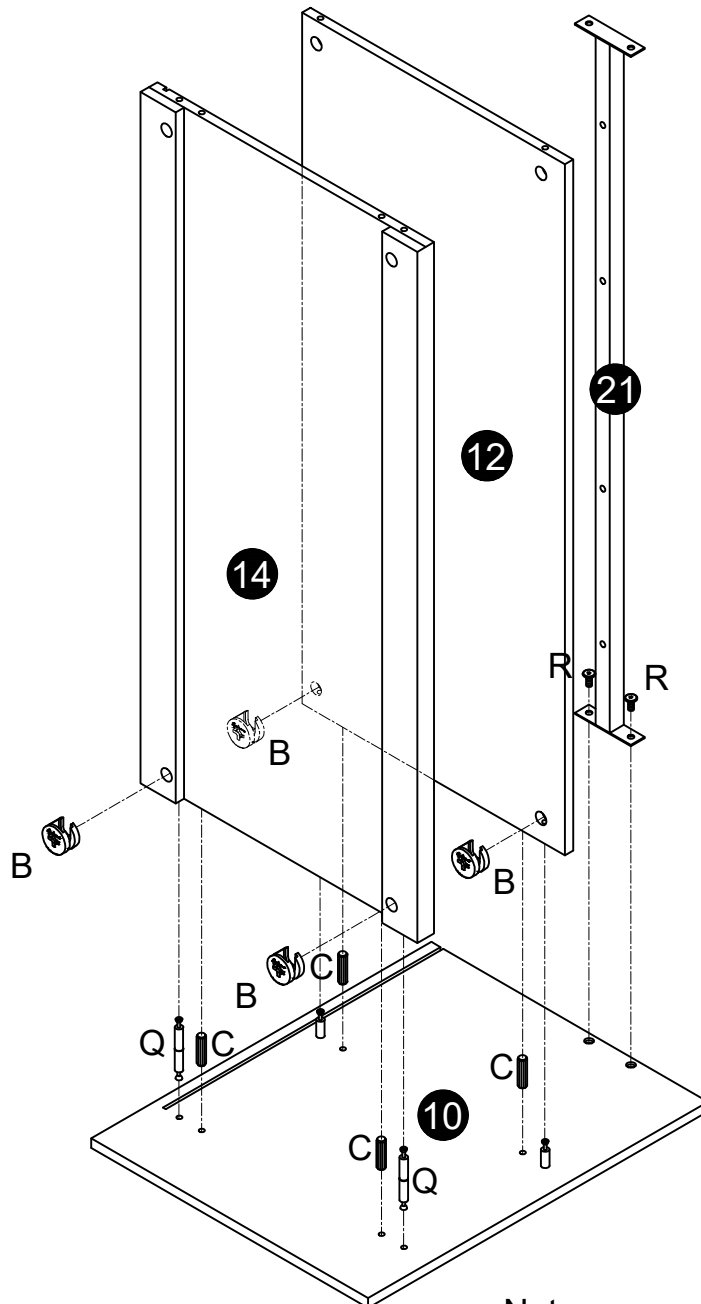
02

Bx4 

Cx4 

Rx2 





Qx2 

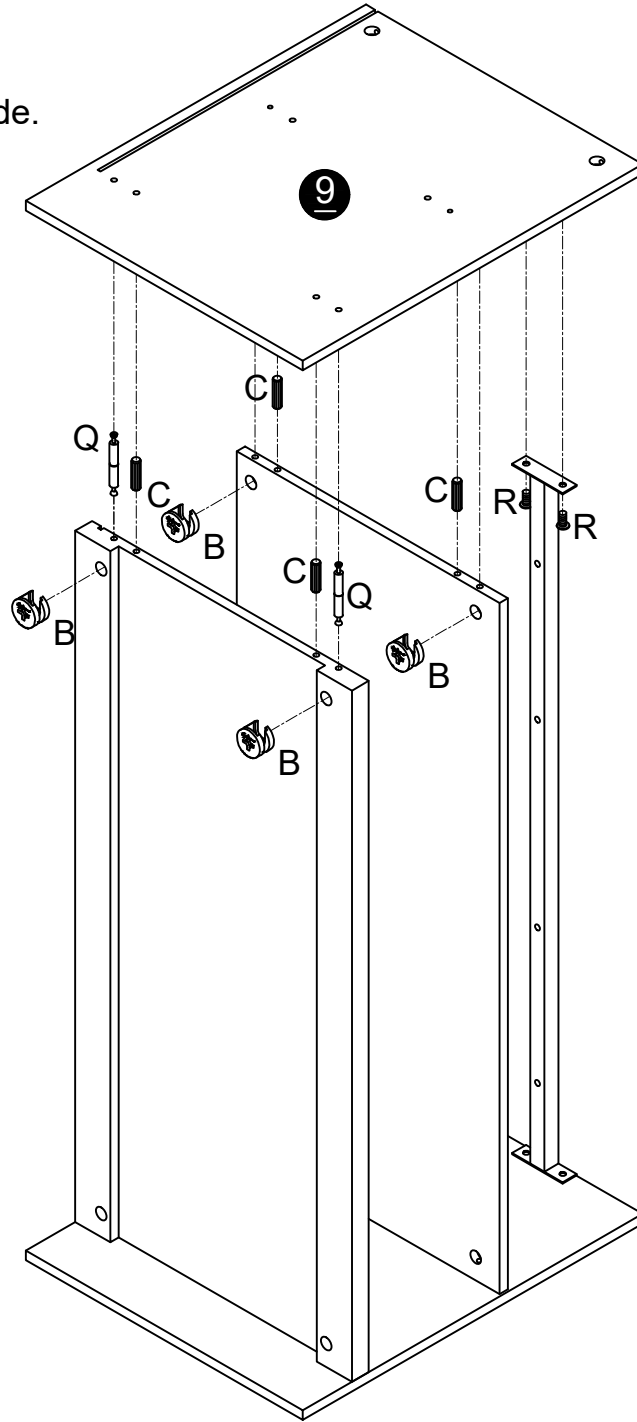


Note:
Board 10 is mounted on the right side.

03

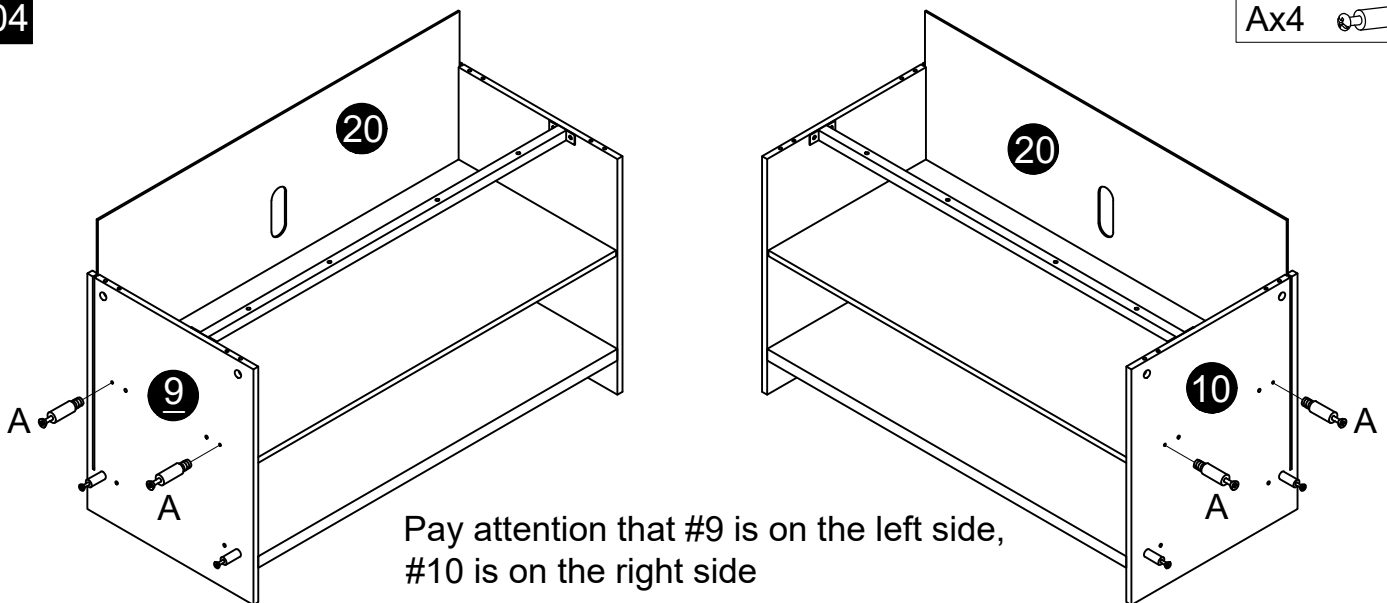
Note:
Board 9 is mounted on the left side.

Bx4	
Cx4	
Rx2	
Qx2	






04

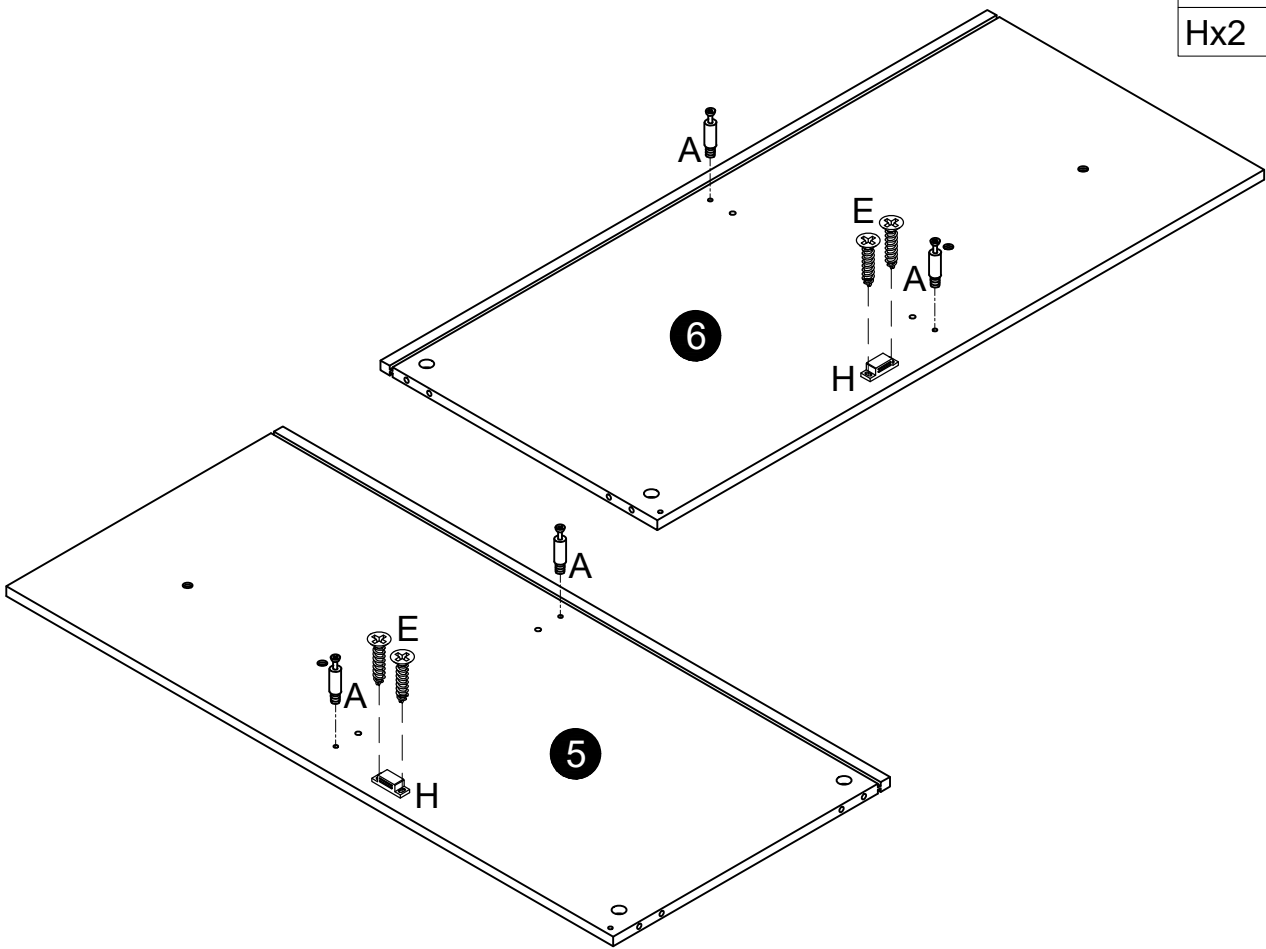
Ax4	
-----	---






Pay attention that #9 is on the left side,
#10 is on the right side

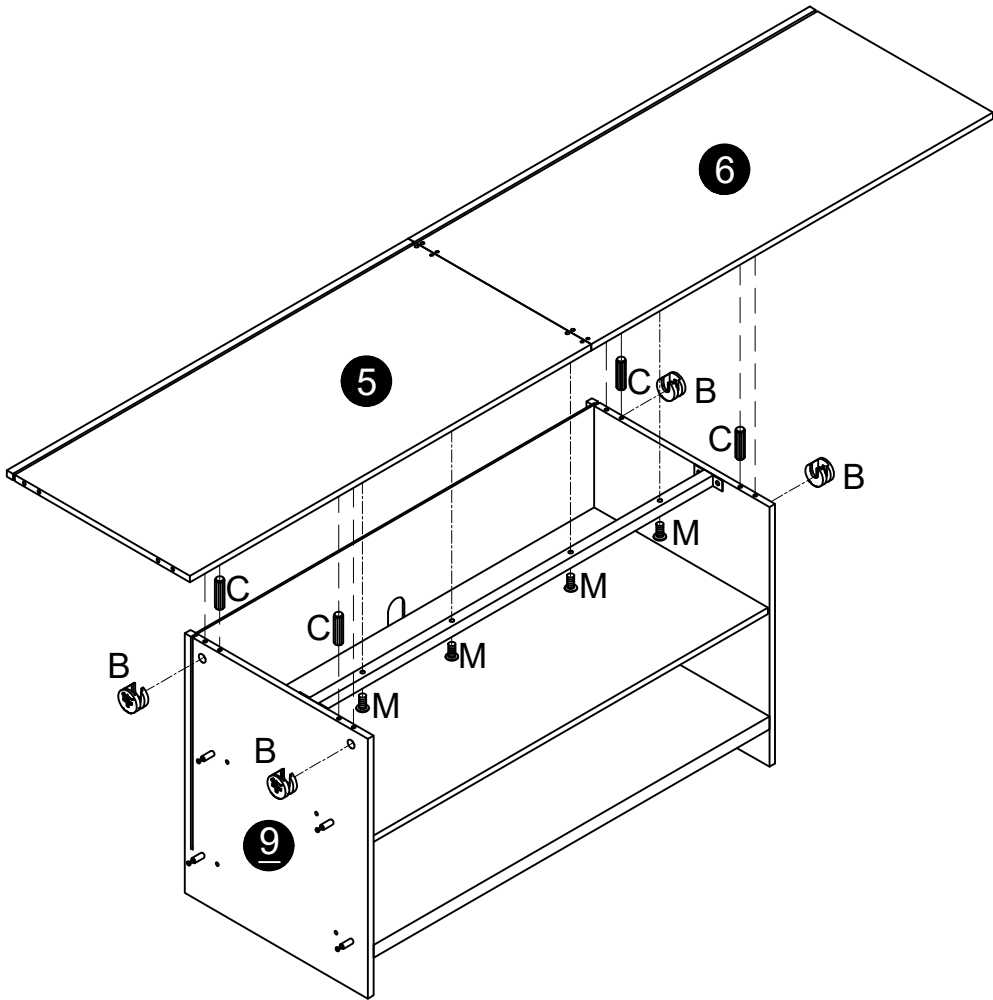
05

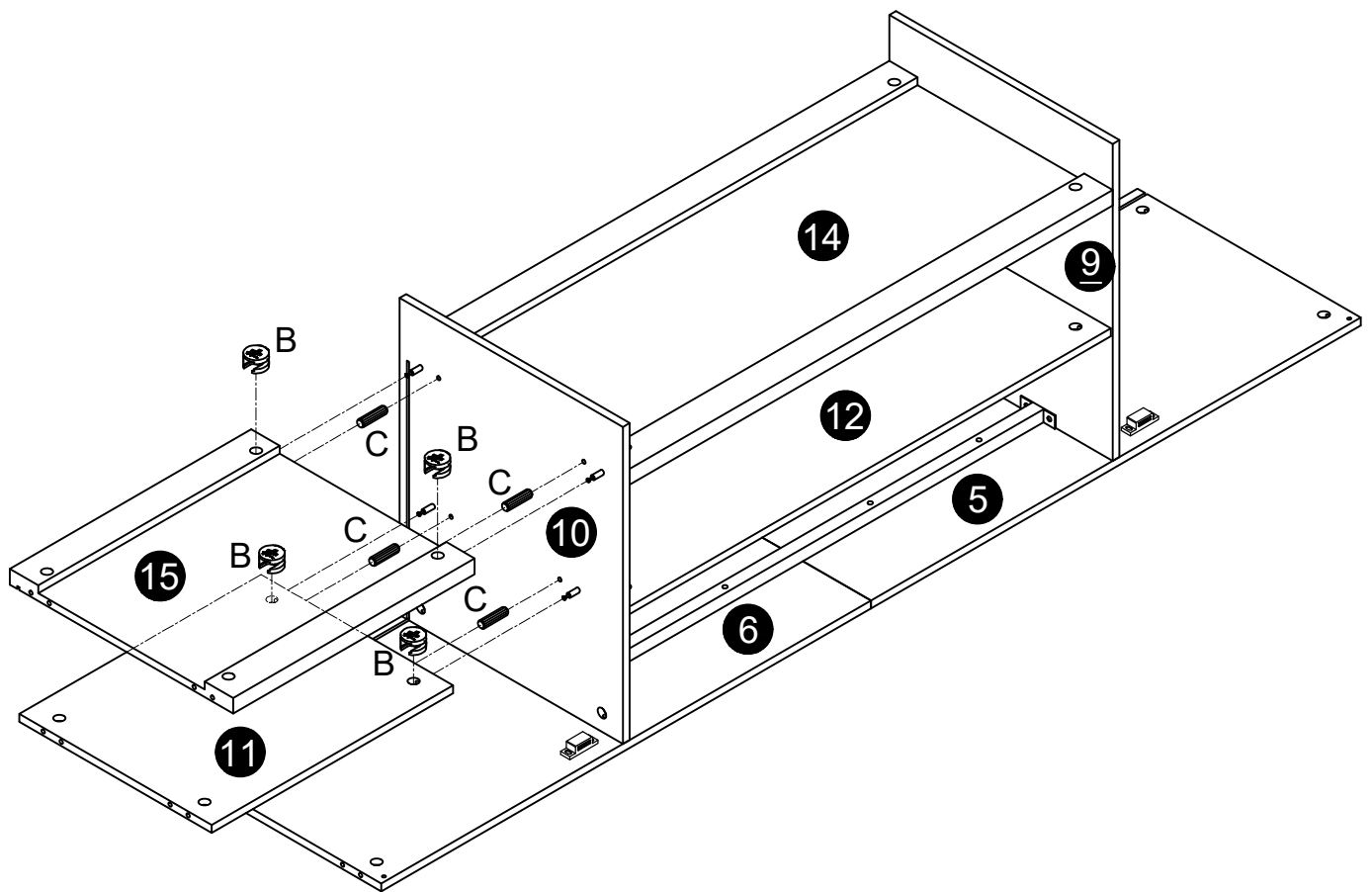
- Ax4 
- Ex4 
- Hx2 

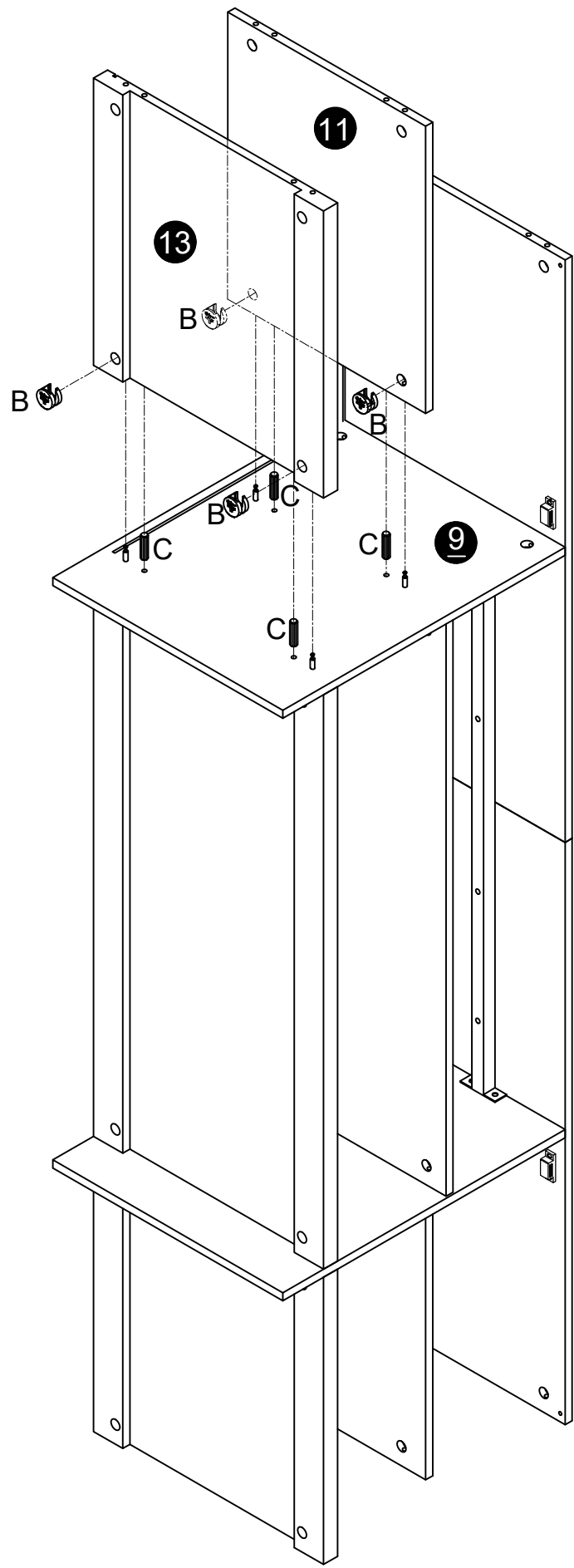


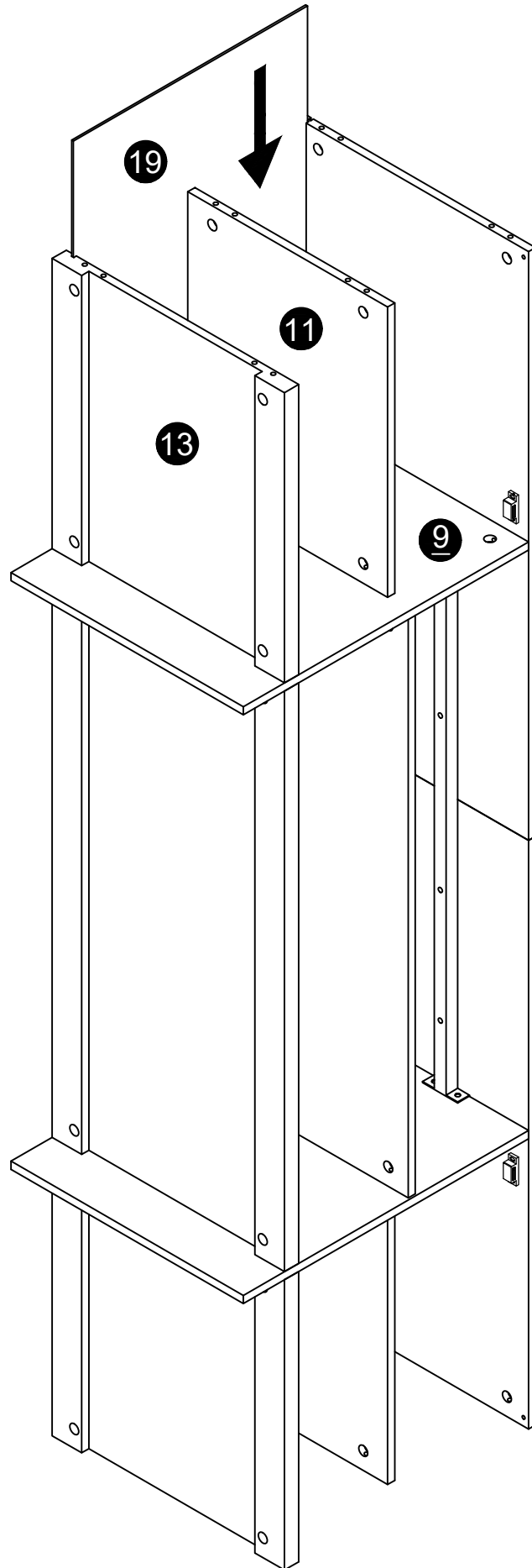
06

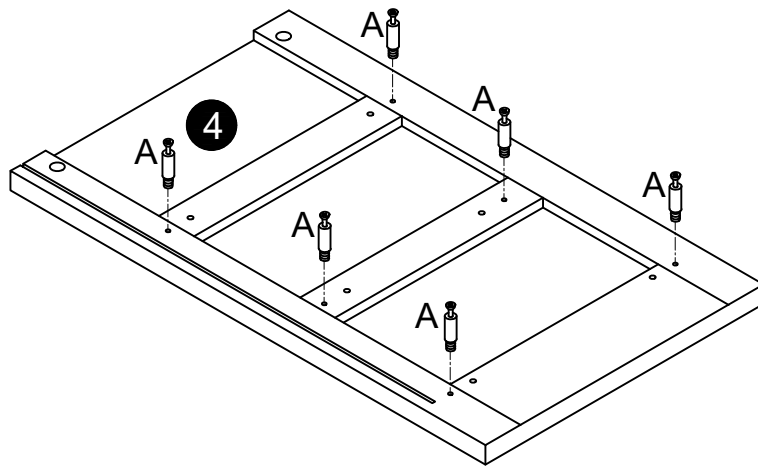
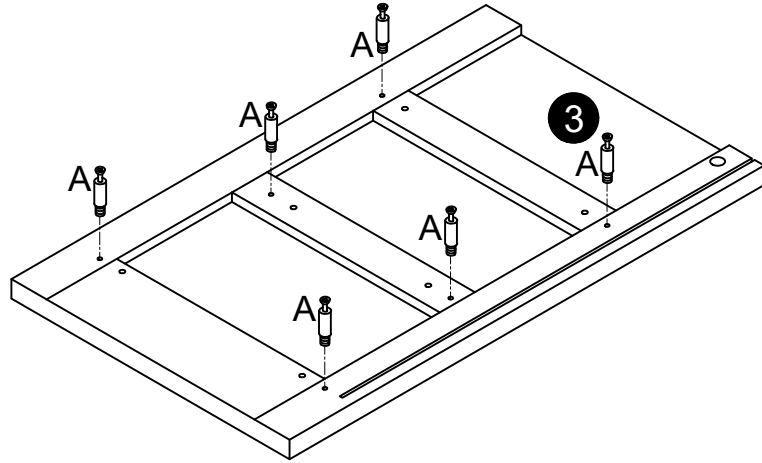
- Bx4 
- Cx4 
- Mx4 

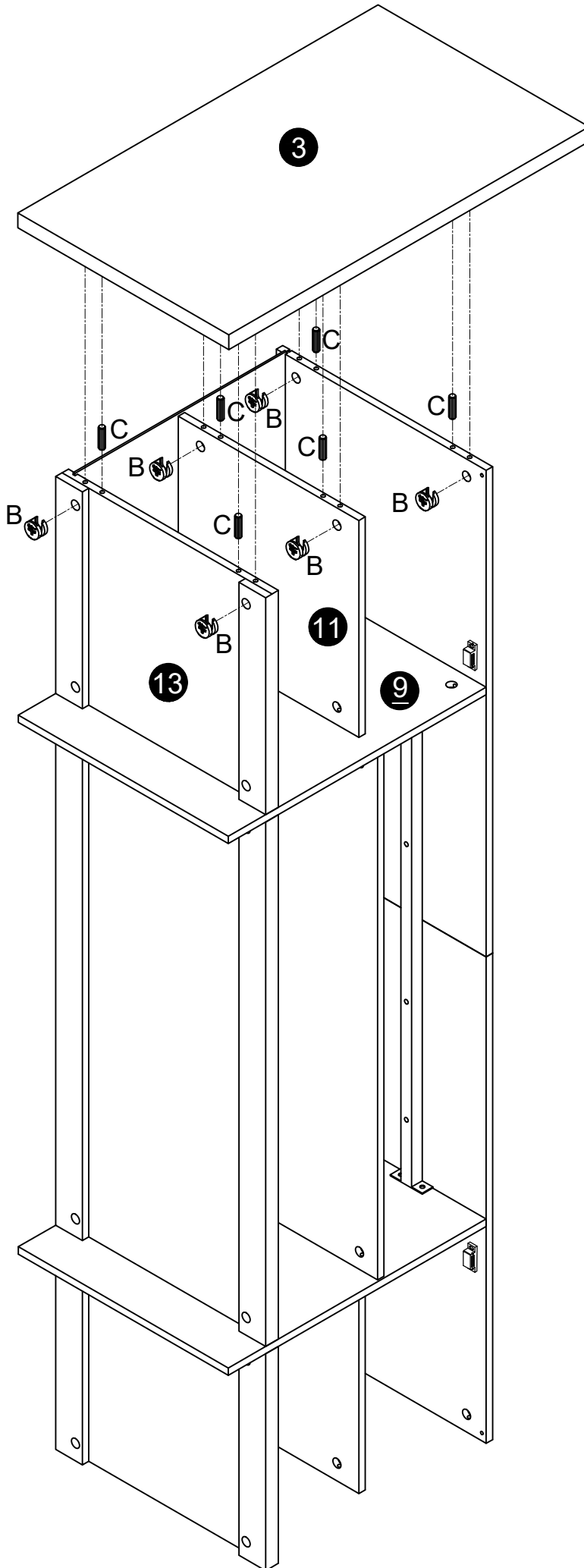


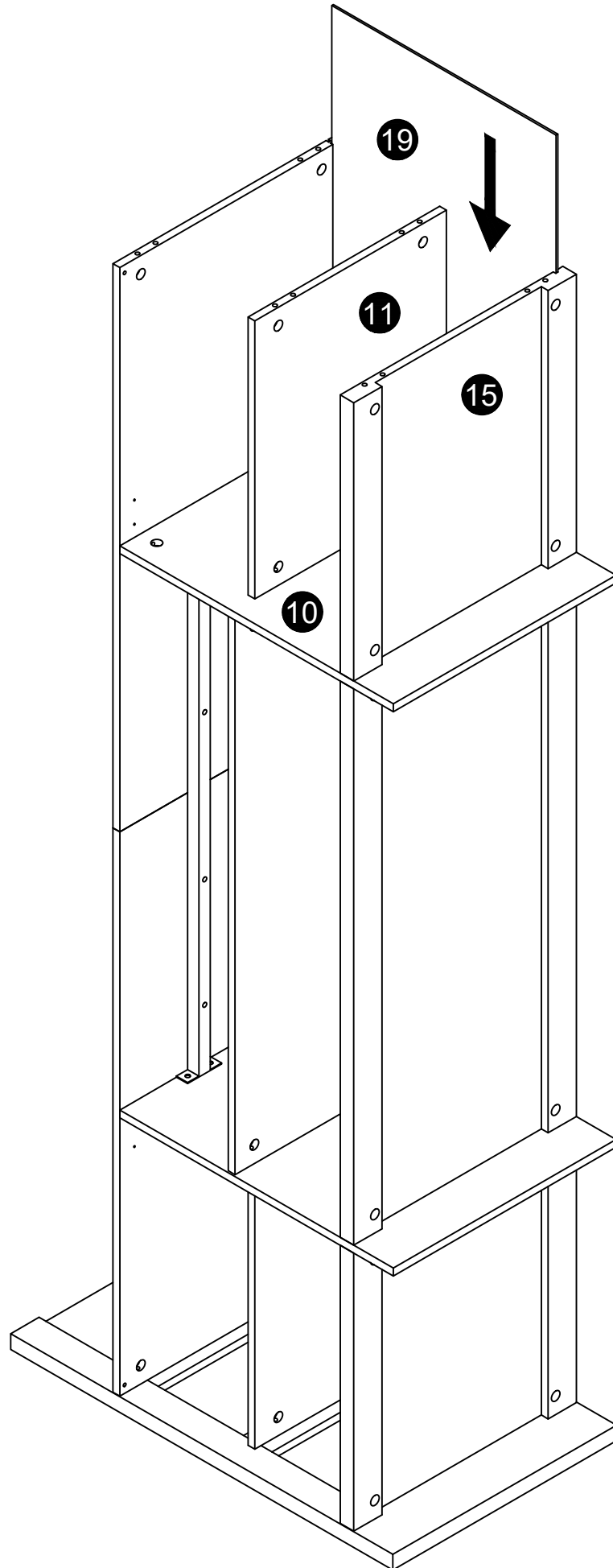


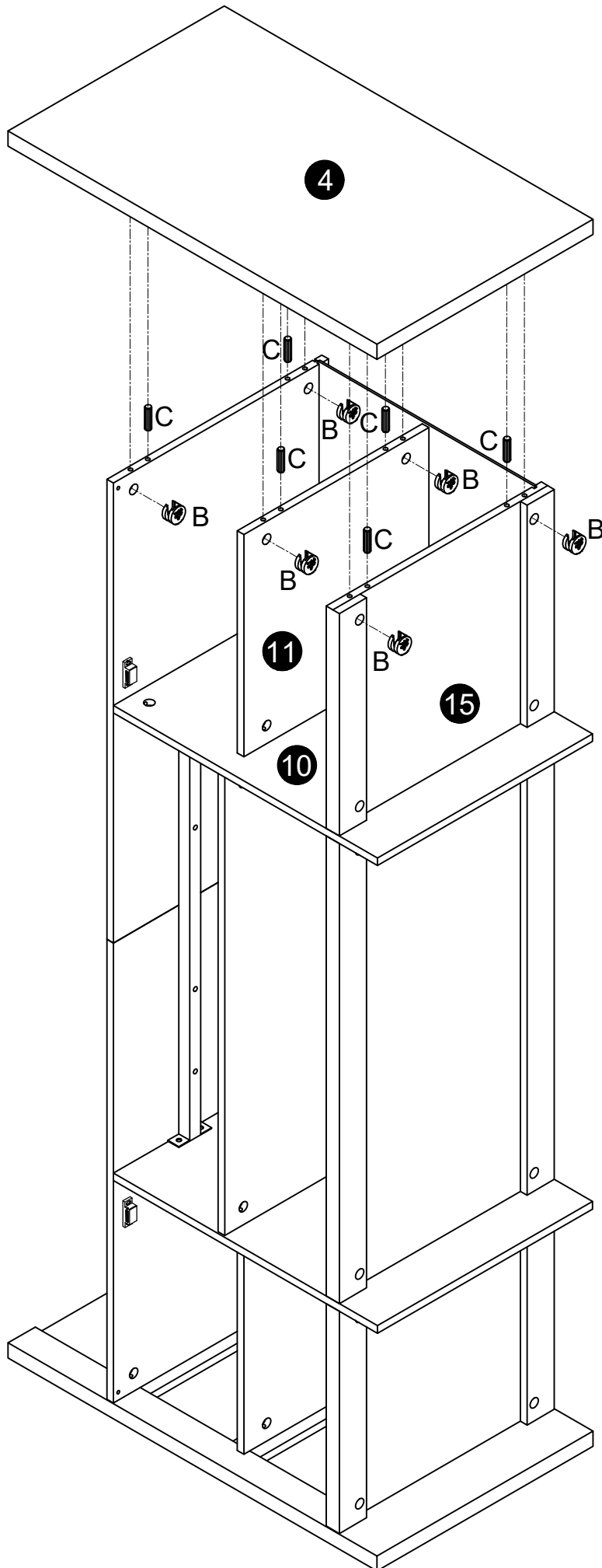




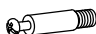


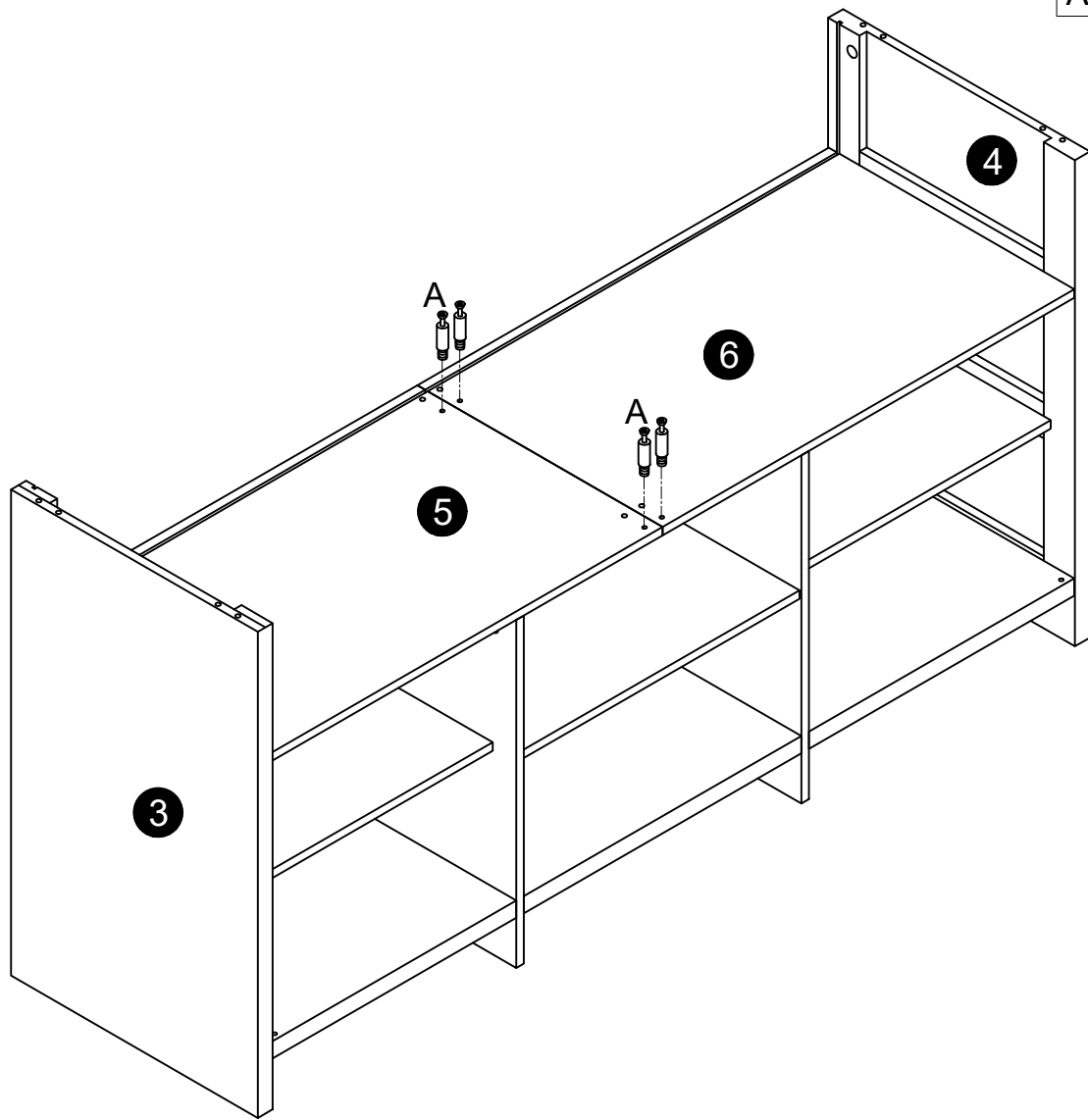








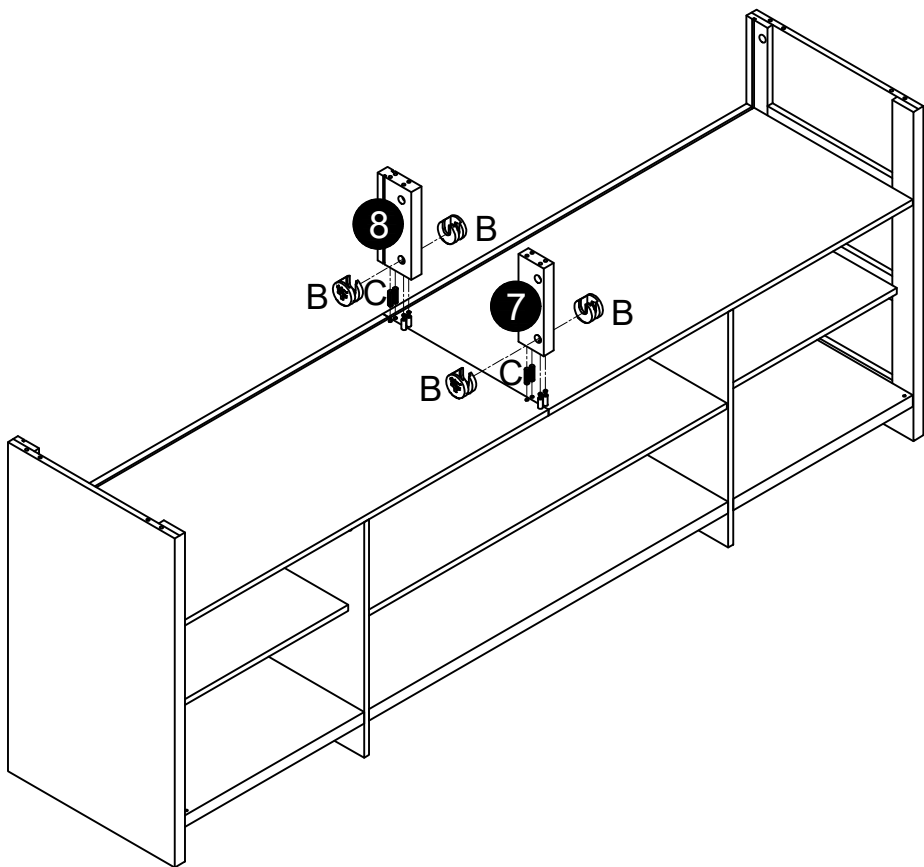
14

Ax4 

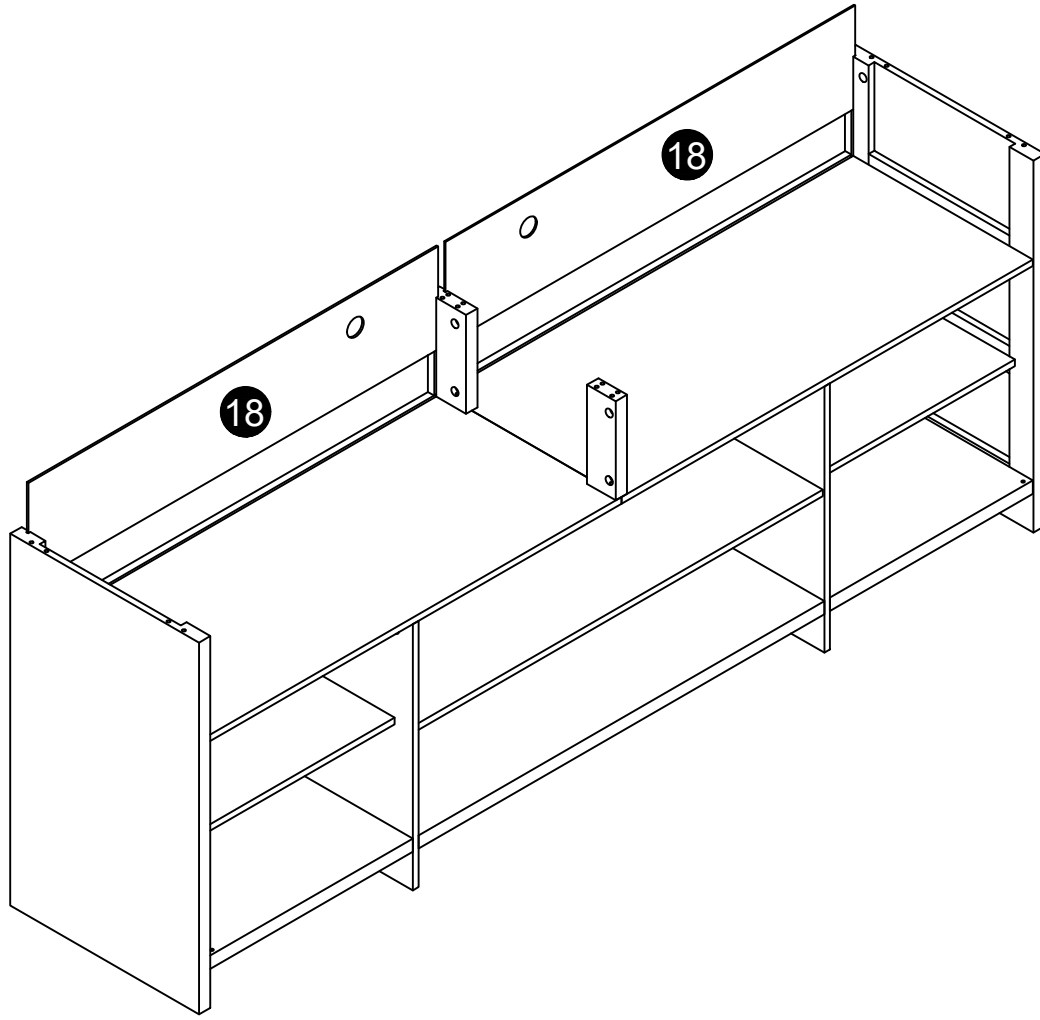


15


Bx4 
Cx4 

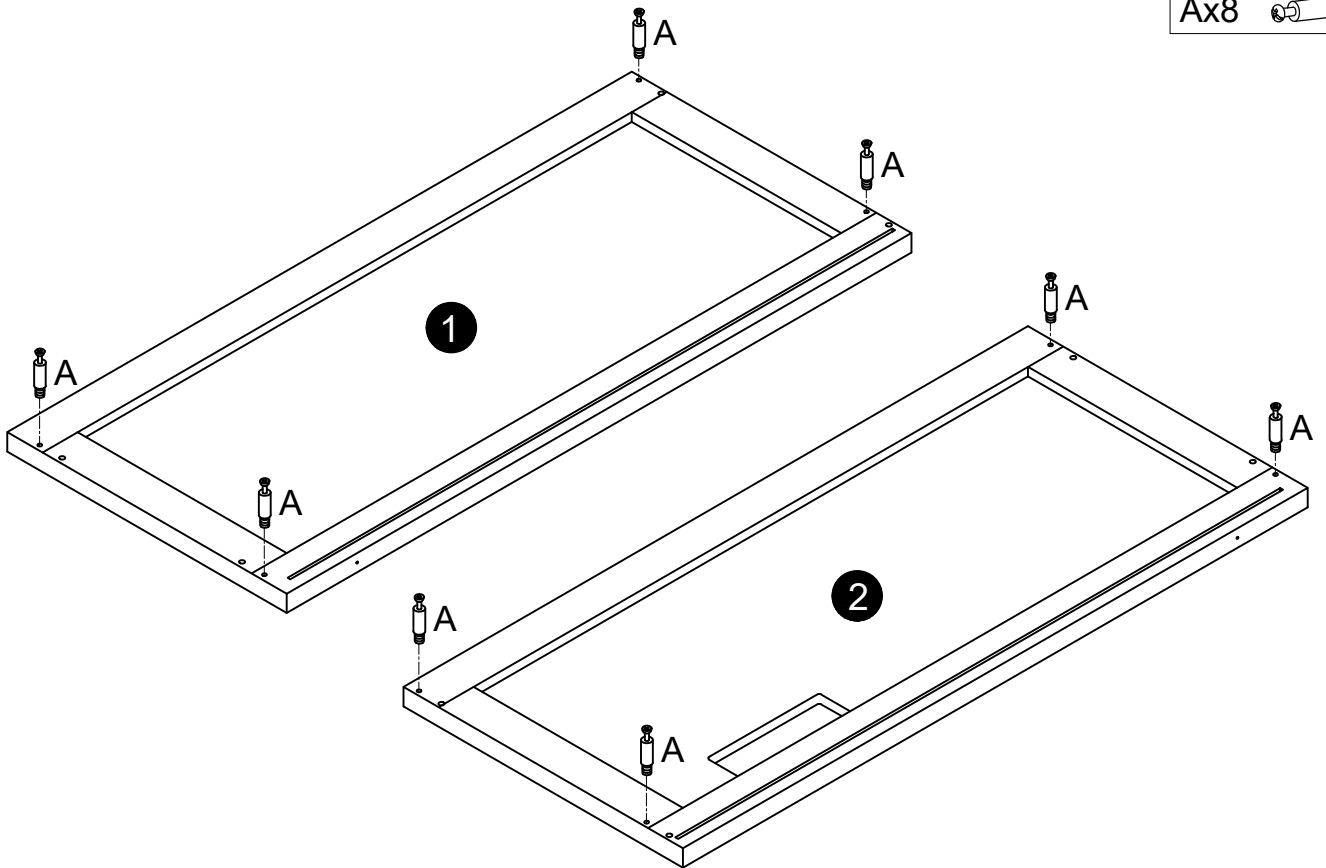


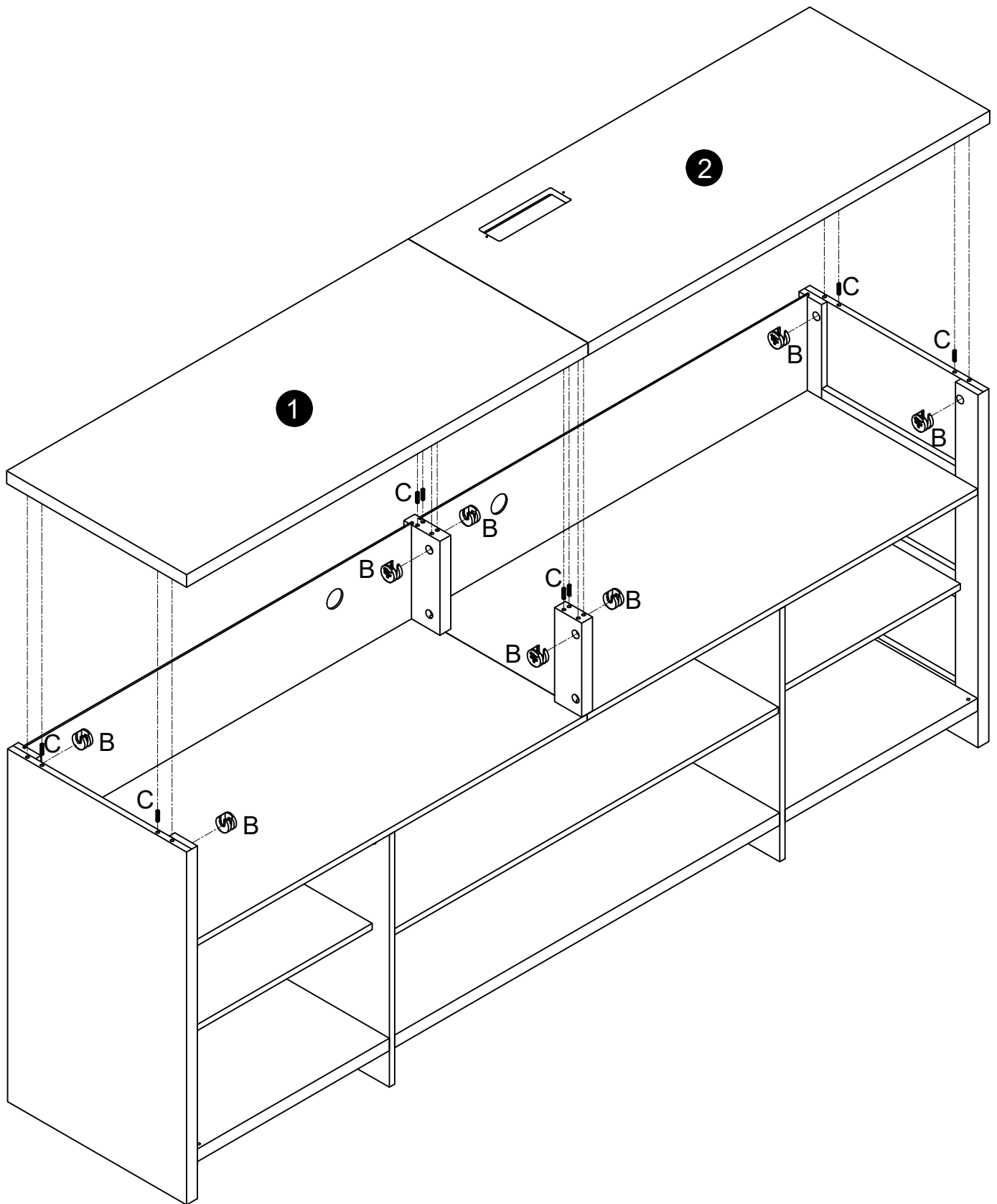
16







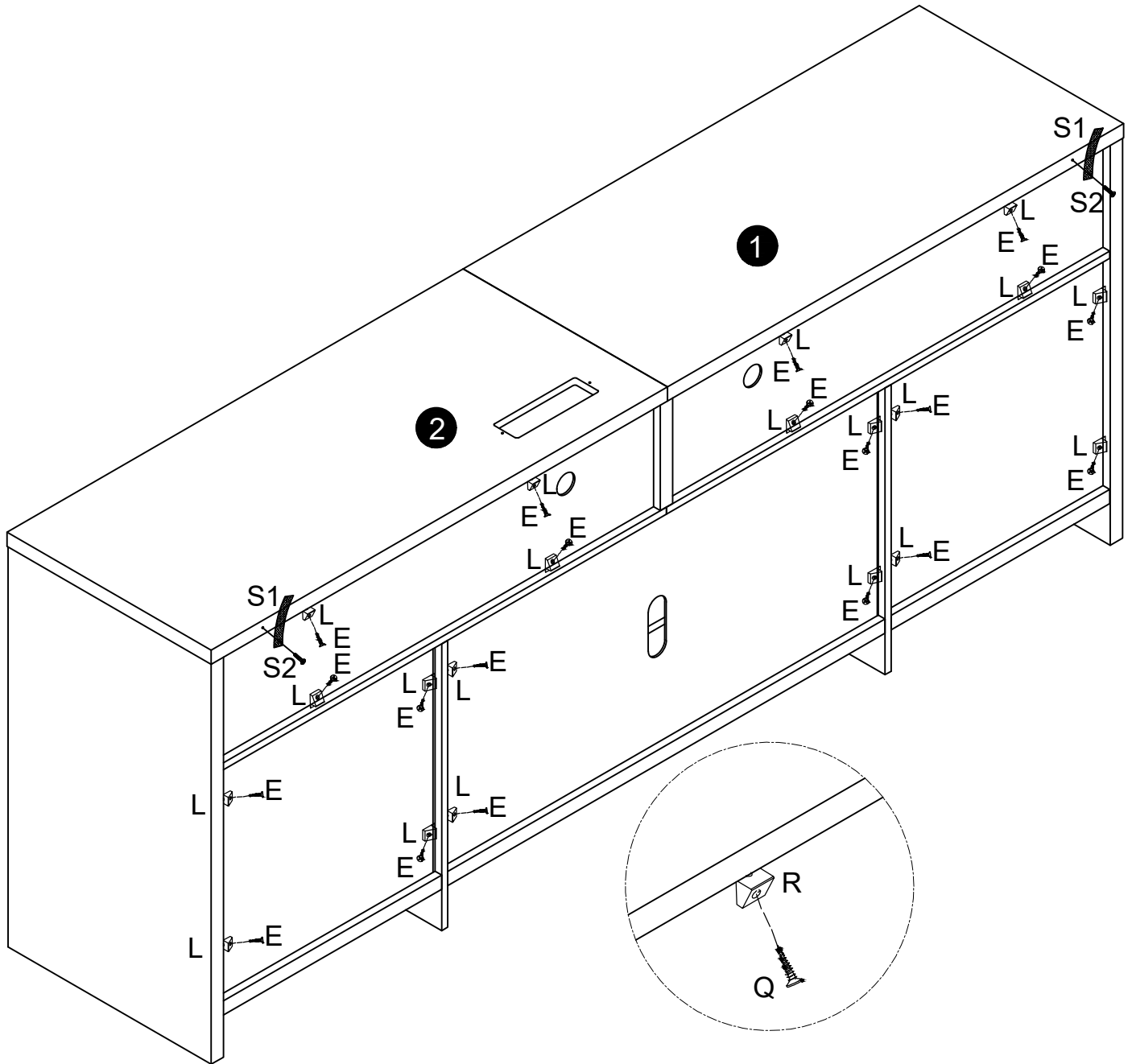
17

Ax8 







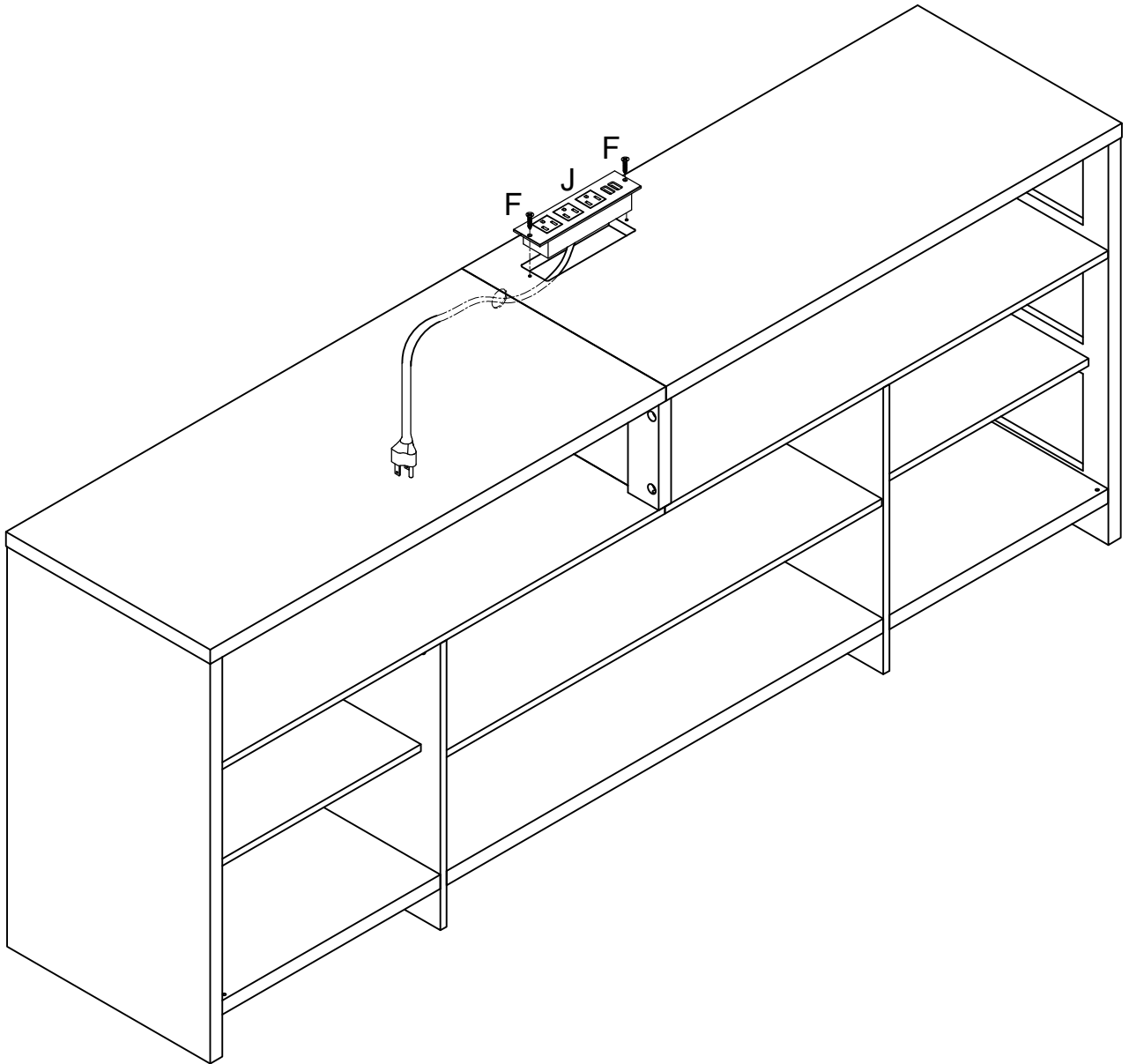
Ex20	
Lx20	
S1x2	
S2x2	



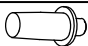



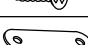
Install backboard nails can effectively enhance the stability of hte product and extend the life span of the product.

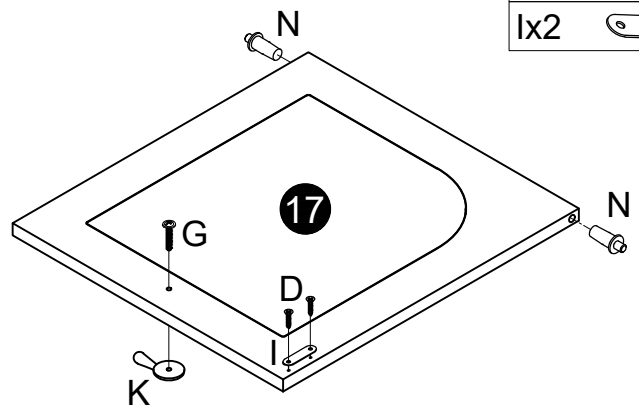
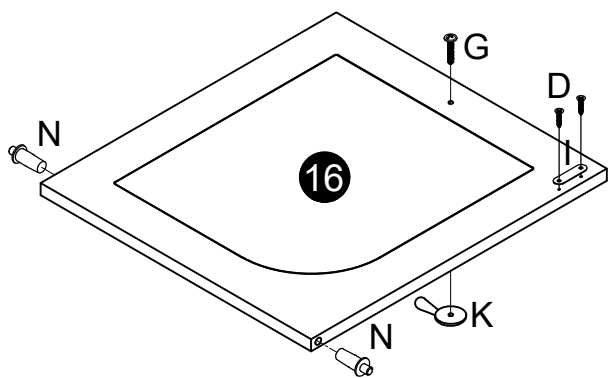
20

- Fx2 
- Jx1 

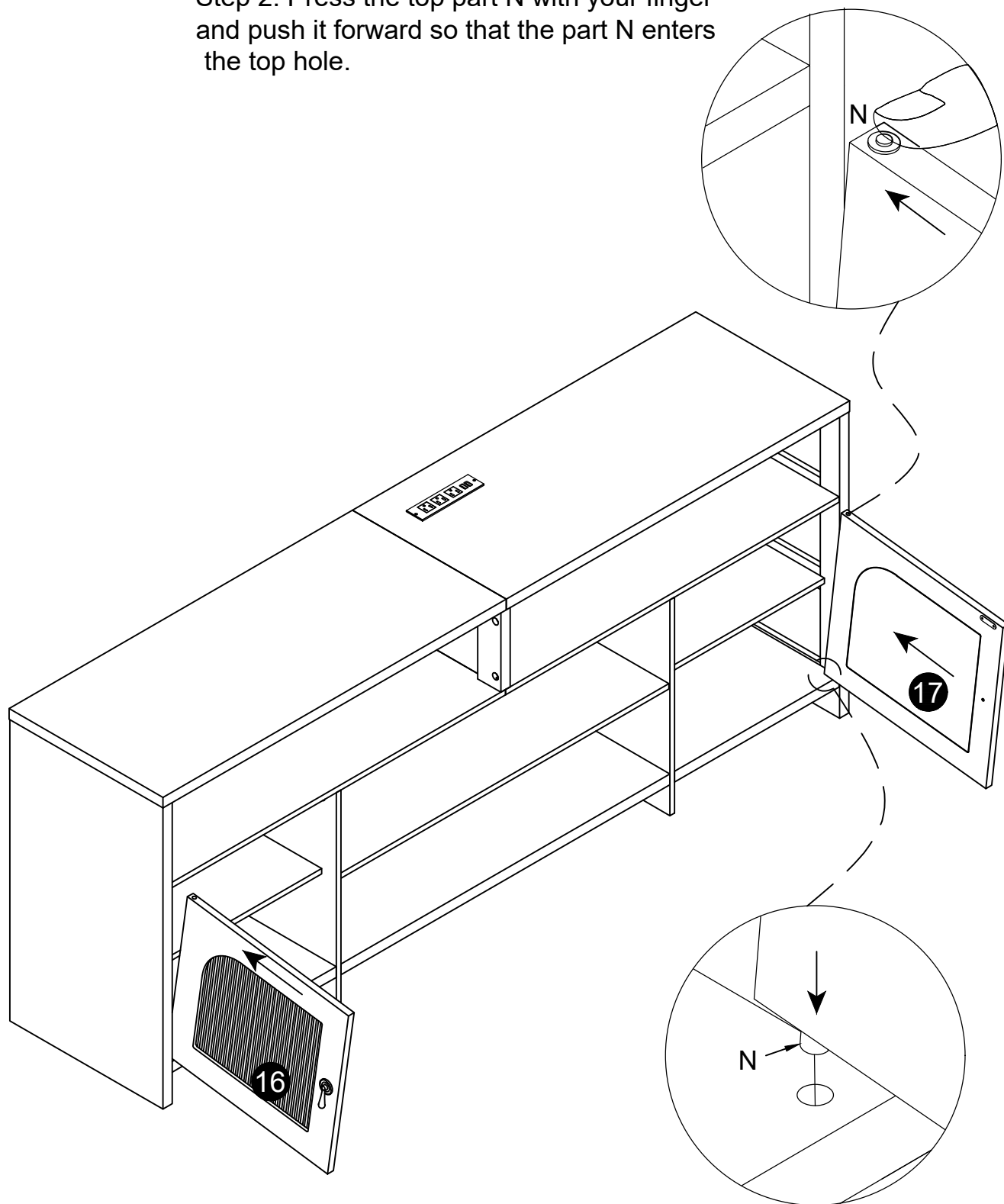


21

- Nx4 
- Gx2 
- Kx2 
- Dx4 
- Ix2 



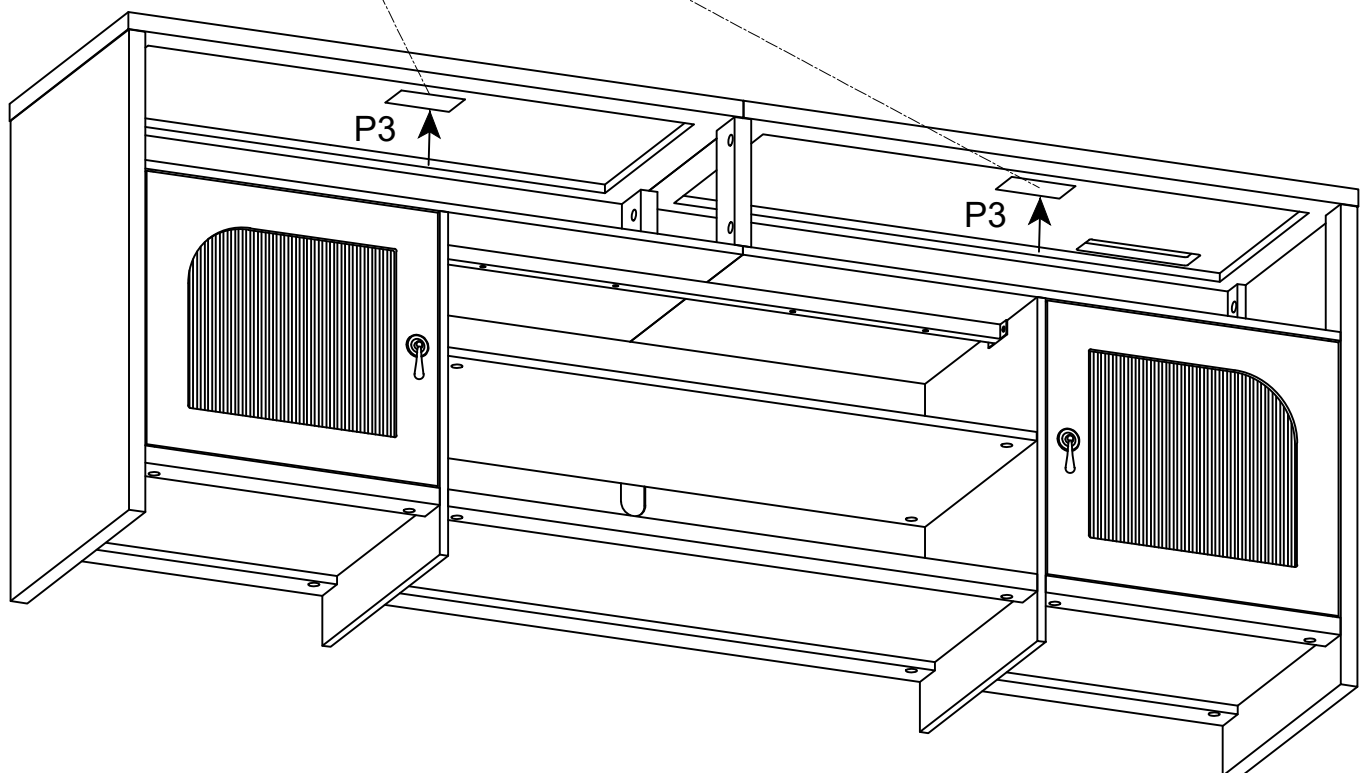
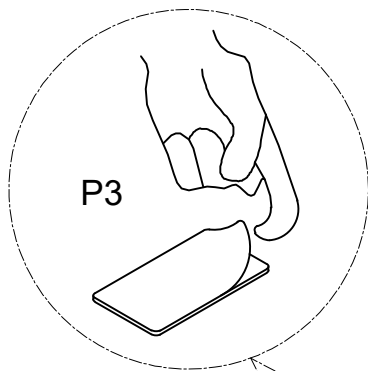
Step 2: Press the top part N with your finger and push it forward so that the part N enters the top hole.


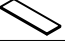


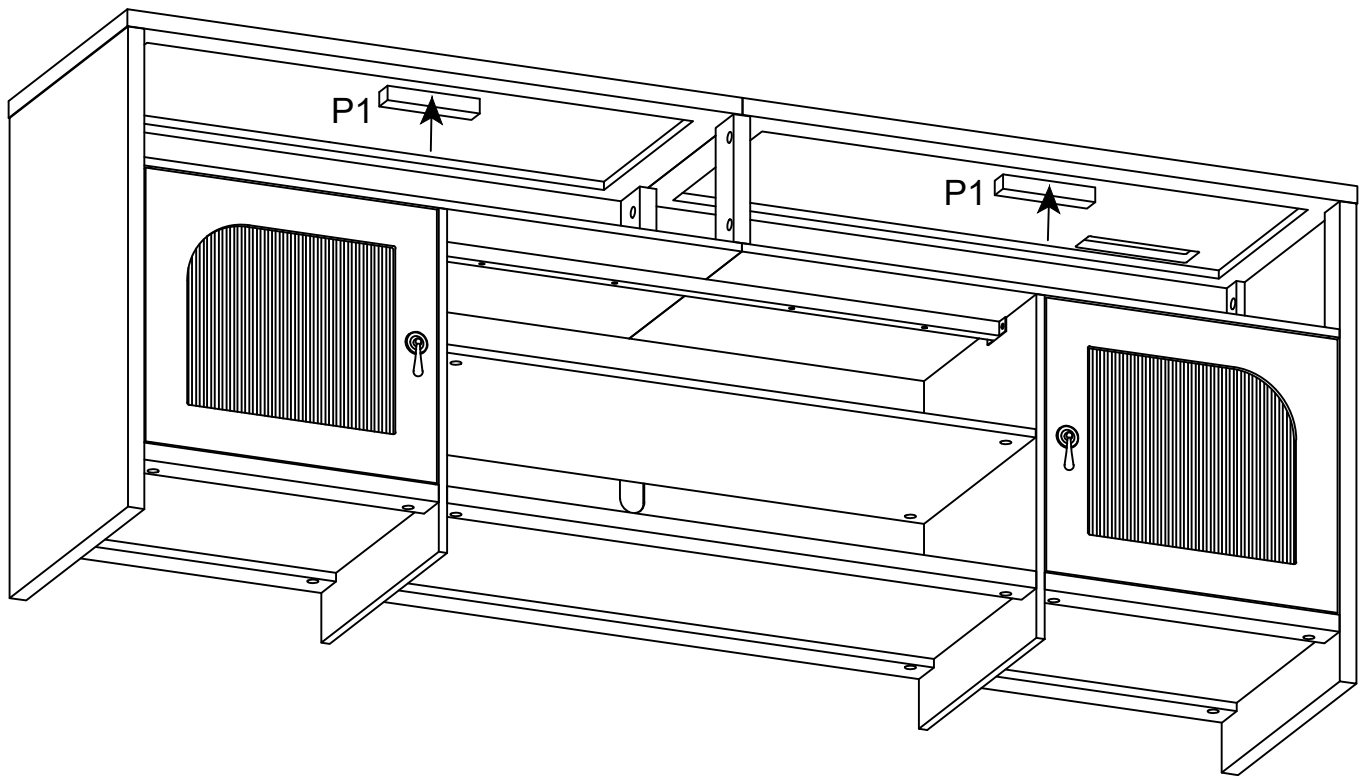
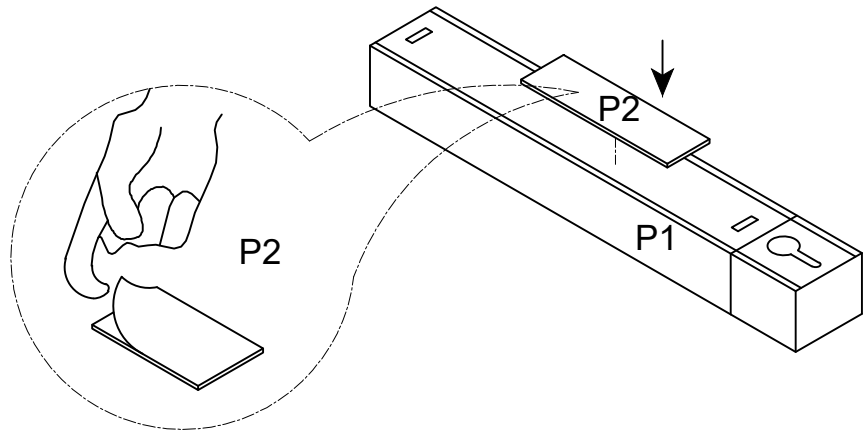
Step 1: Insert the bottom part N into the hole of the bottom plate.

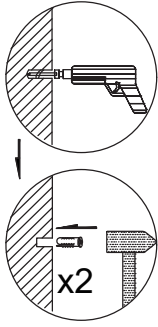
Tear off the paper on the back of P3 and stick P3 on the bottom of the top plate in a suitable position.

- The position where P3 is stuck determines the position of the LED light, please choose the position you think is suitable to stick it, if you don't want to install the LED light, you can skip steps 23 & 24.

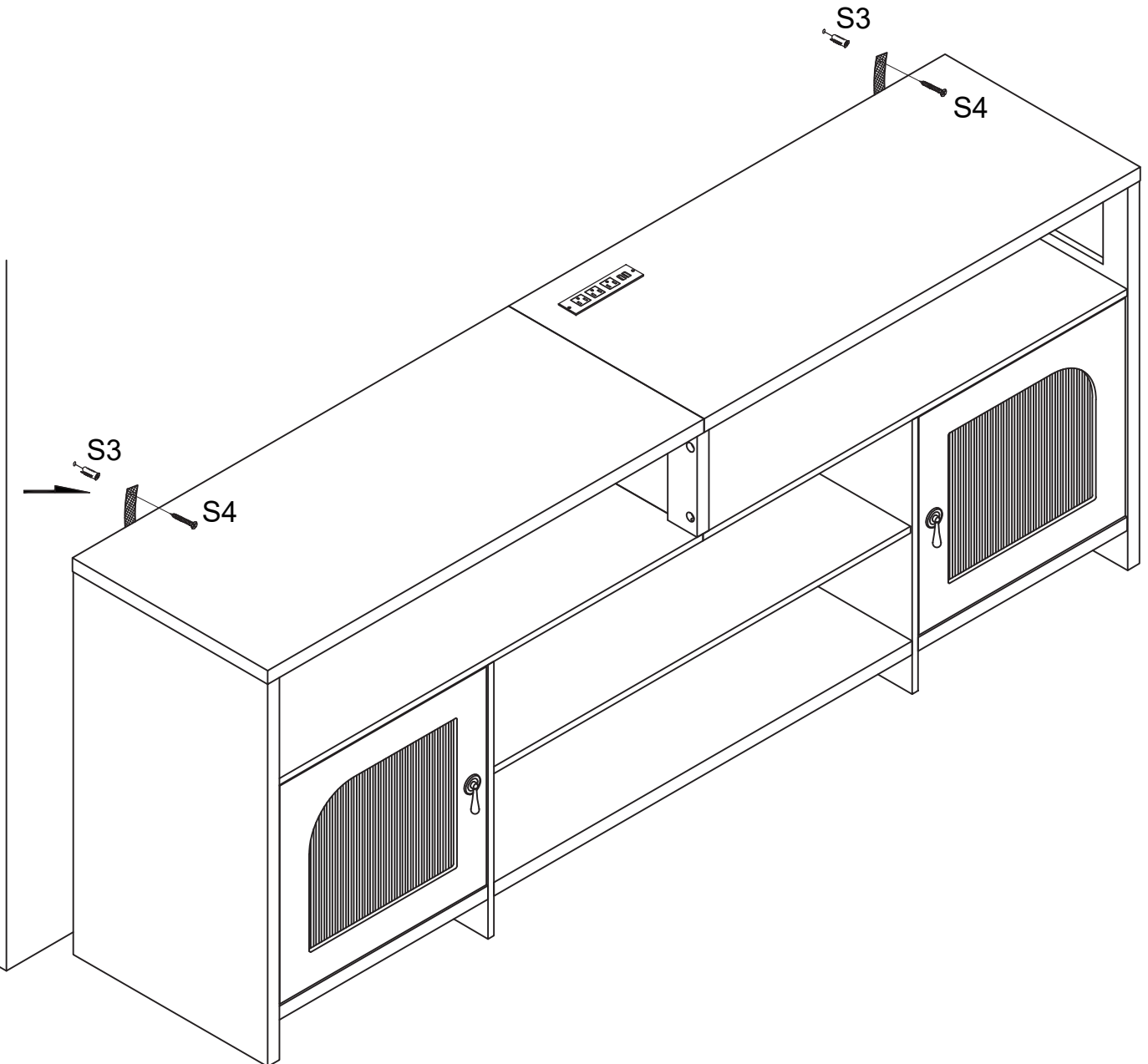


- P1x2 
- P2x2 

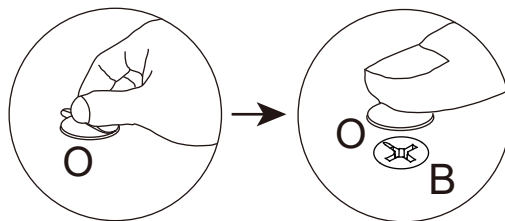
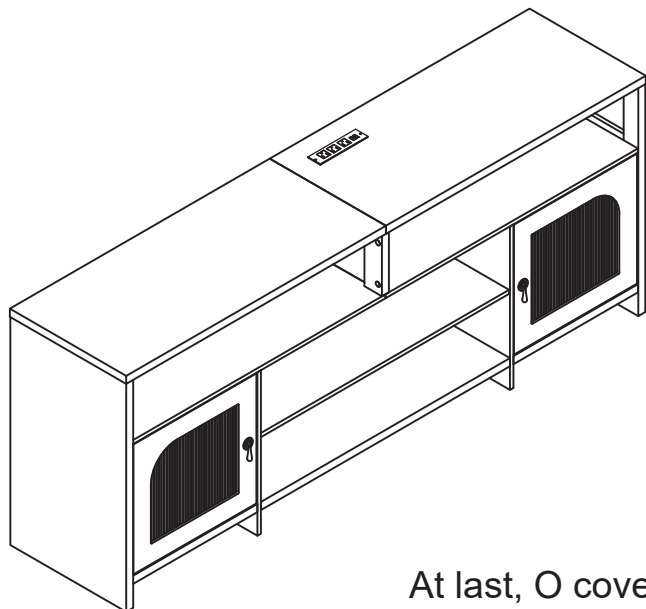


**MANDATORY!**

For safety reasons, we recommend you follow these instructions to install the anti-tipping hardware, when installed properly, this hardware may prevent the unit from tipping unexpectedly.



-WARNING- Serious injury can occur if furniture tips over. Place heavy items on lower shelves and as far back as possible.



At last, O covers B for added aesthetics, or don't use it.