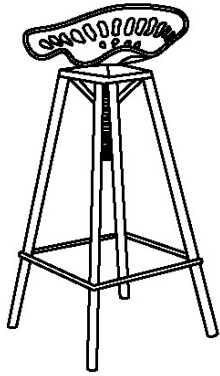


UPT-272524

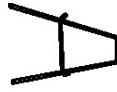


A



SEAT - 1 QTY.

B



LEG - 2 QTY.

C



SUPPORT - 2 QTY.

D



MIDDLE - 1 QTY.

E



MIDDLE - 1 QTY.

F



BOLT - 4 QTY.

G



BOLT - 8 QTY.

H



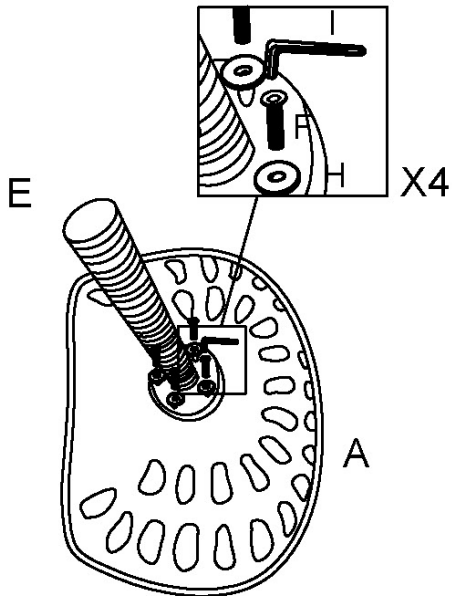
WASHER - 9 QTY.

I

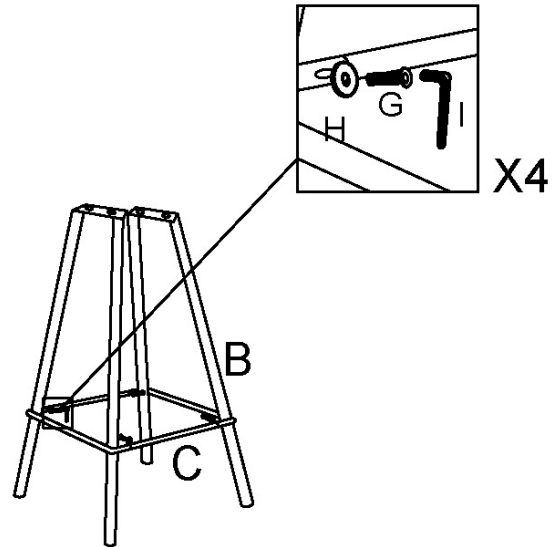


ALLEN KEY - 1 QTY.

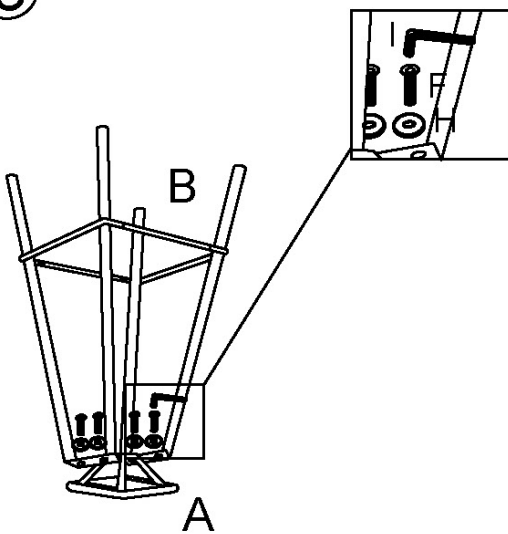
①



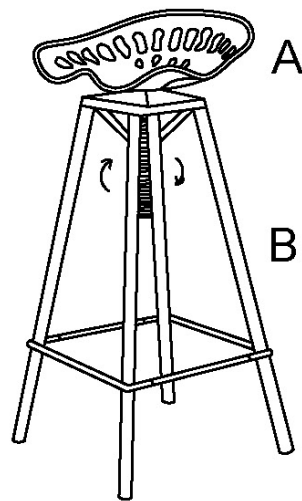
②



③



④



FINAL PRODUCT