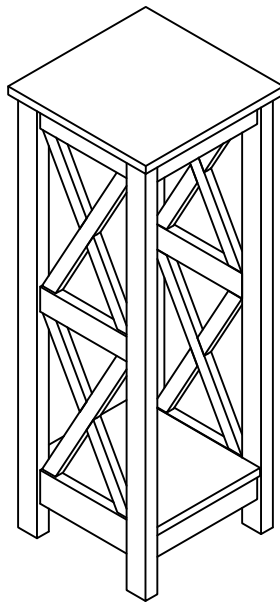


# TALL PLANT STAND







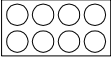



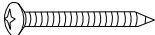
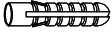
## **ASSEMBLY INSTRUCTIONS**

---

We have designed our furniture with you , the customer in mind . Our clear , easy to follow , step by step instructions will guide you through the project from start to finish . Feel confident that this will be a fun and rewarding project . The final product will be a quality piece of furniture that will go together smoothly and give years of enjoyment .

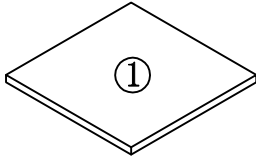
---

## Hardware List

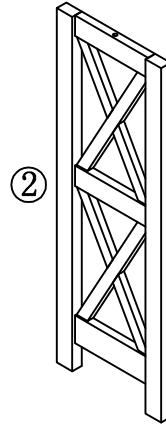
<p><b>A</b></p>  <p>L29</p>	<p><b>B</b></p>  <p>Ø15</p>	<p><b>C</b></p>  <p>Glue(1pc)</p>	<p><b>D</b></p>  <p>Ø16</p>
<p>Cambolt(18pcs)</p>	<p>Camlock(18pcs)</p>	<p>Glue: For securing please apply to wood dowel first before inserting into panel</p>	<p>Foot Pin (4pcs)</p>
<p><b>E</b></p>  <p>Ø22</p>	<p><b>F</b></p>  <p>197x5x1</p>	<p><b>G</b></p>  <p>12x12x1</p>	<p><b>H</b></p>  <p>Ø4x25</p>
<p>Sticker (8pcs)</p>	<p>ANTI-TIP Strap (1pc)</p>	<p>Bracket (2pcs)</p>	<p>Screw (1pc)</p>
<p><b>I</b></p>  <p>Ø5x40</p>	<p><b>J</b></p>  <p>Ø8x40</p>		
<p>Wall Screw (1pc)</p>	<p>Plastic Anchor (1pc)</p>		

\*Please count and verify all parts before assembly.\*

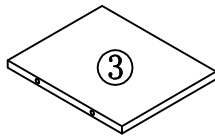
## Panel List



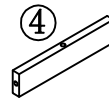
Top Panel (1pc)



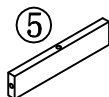
Side Frame(2pcs)



Bottom Panel (1pc)



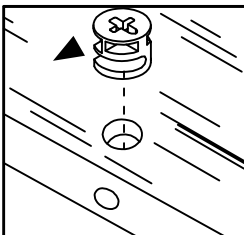
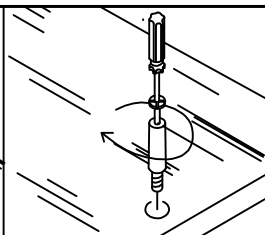
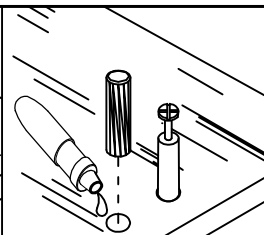
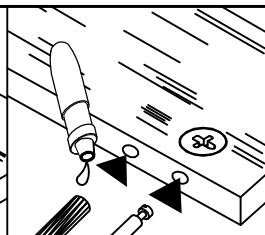
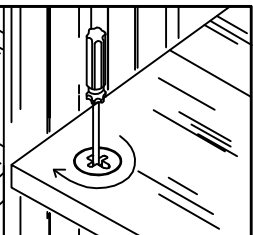
Top Crossbar(2pcs)



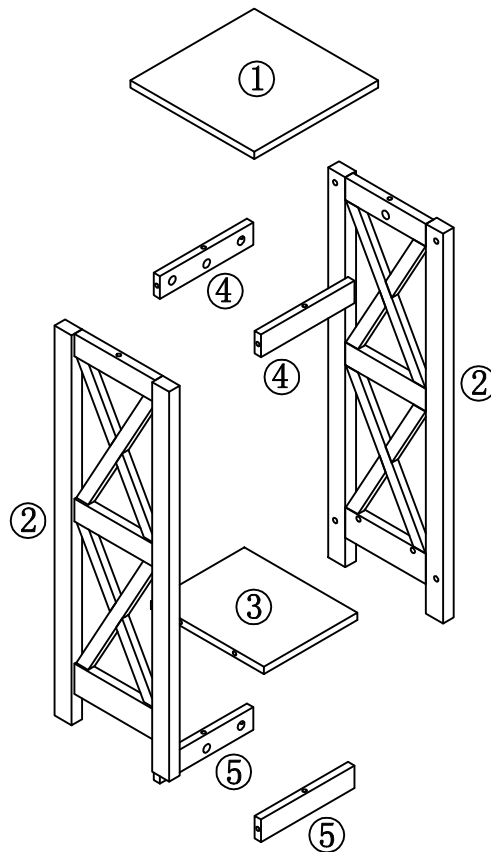
Bottom Crossbar(2pcs)

\*Please count and verify all parts before assembly.\*

## Assembling the unit with camlocks and wood dowels.

				
Insert camlock, camlock must face bolt hole	Gently screw cam bolt into the threaded anchor	lightly glue one end of wood dowel and tap into hole.	lightly glue dowel and connect to second panel by inserting dowels into holes	Gently screw the cam clockwise into locked position. Do not overtighten.

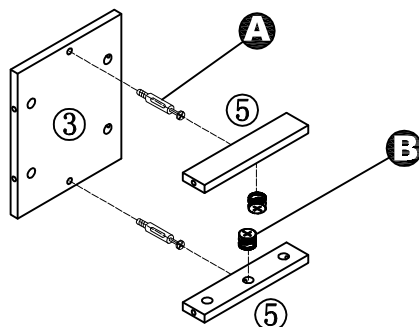
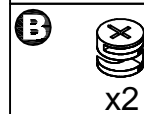
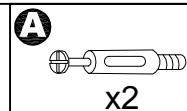
## Exploded Views



# Step1

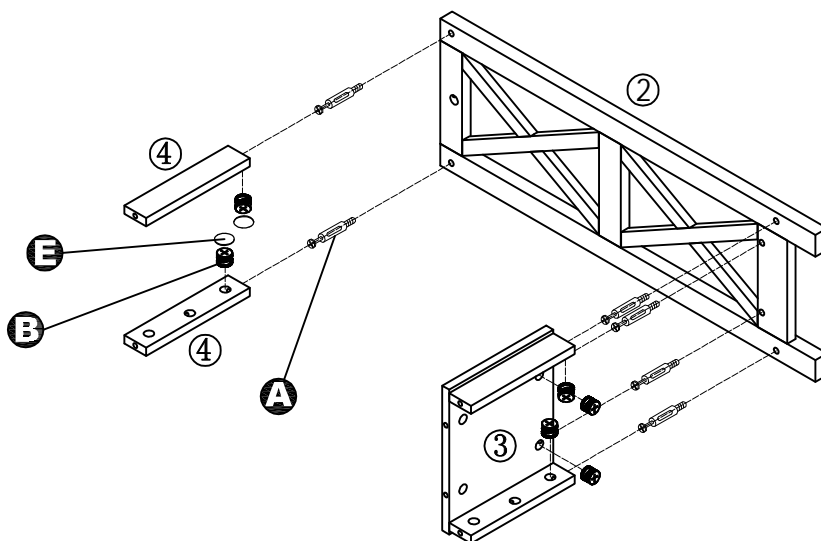
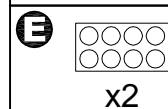
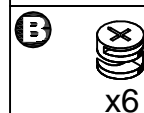
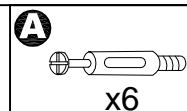
Note: \* Place item on a smooth/soft surface such as a towel or carpet.

1. Screw cambolts(A) into bottom panel(3).
2. Attach bottom crossbars(5) assembly to bottom panel(3) using camlocks(B) and gently tighten.



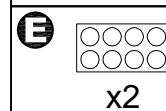
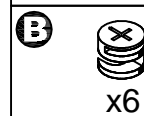
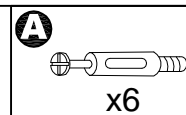
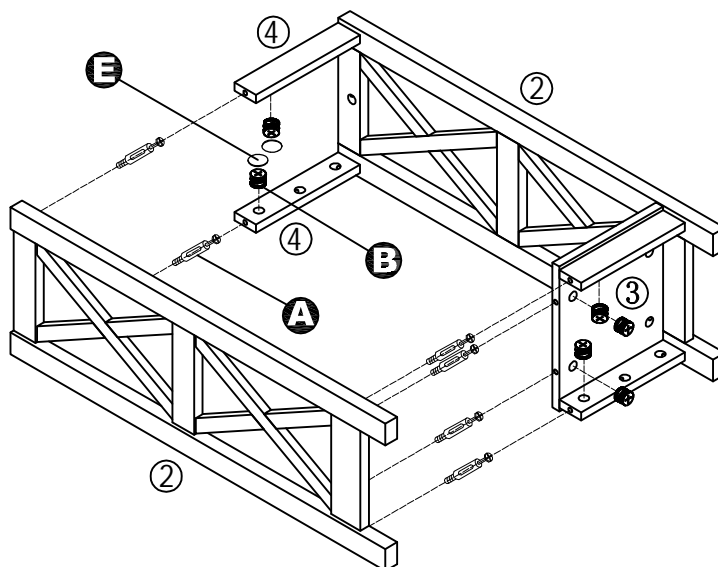
# Step2

1. Screw cambolts(A) into side frame(2).
2. Attach top crossbars(4) and bottom panel(3) assembly to side frame(2) using camlocks(B) and gently tighten.
3. Place stickers(E) over holes.



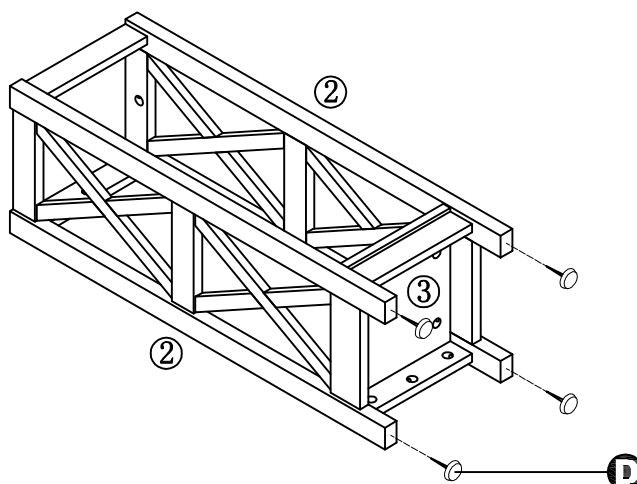
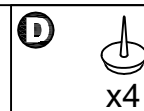
## Step3

1. Screw cambolts(A) into side frame(2).
2. Attach top crossbars(4) and bottom panel(3) assembly to side frame(2) using camlocks(B) and gently tighten.
3. Place stickers(E) over holes.



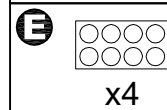
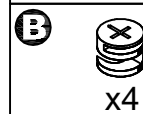
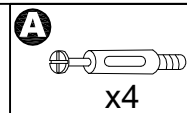
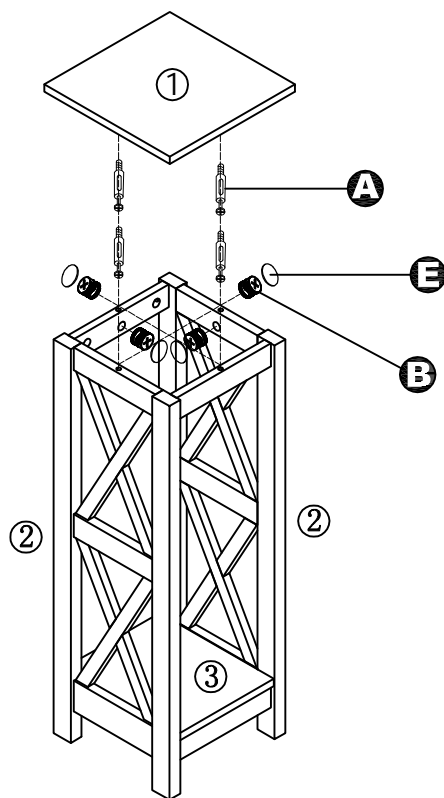
## Step4

1. Knock foot pins(D) onto legs as shown.



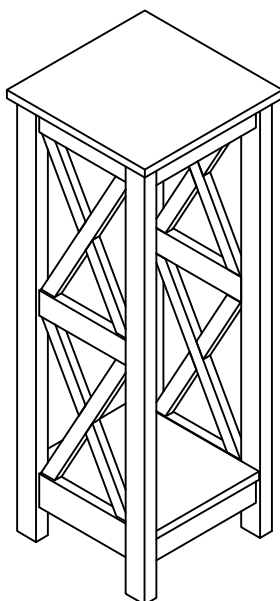
## Step5

1. Screw cambolts(A) into top panel(1).
2. Attach top panel(1) assembly to unit body using camlocks(B) and gently tighten.
3. Place stickers(E) over holes.



## Step6

Enjoy Your Oxford Plant Stand!



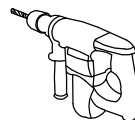
# ANTI-TIPPING STRAP INSTRUCTION

## HARDWARE(INCLUDED):

## TOOLS NEEDED ( NOT INCLUDED):



DRYWALL ANCHOR Ø8x40 x 1PC



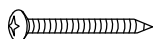
DRILL & DRILL BIT



METAL BRACKETS 12x12x1 x 2PCS



LIGHT HAMMER



DRYWALL SCREW Ø5x40 x 1PC



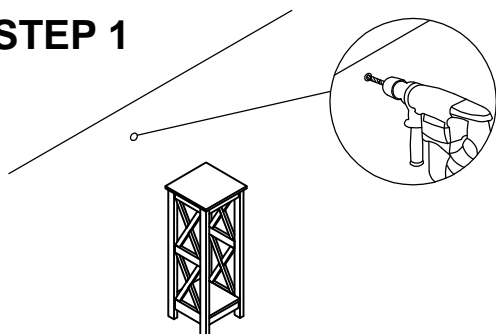
STRAP 197x5x1 x 1PC



FLATHEAD SCREW Ø4x25 x 1PC

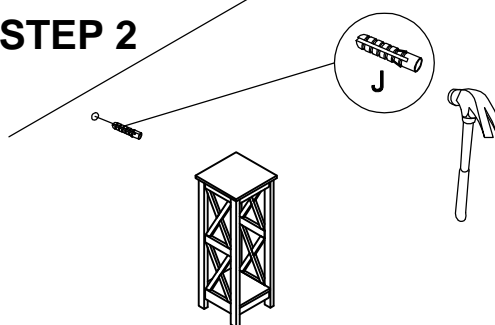
Note: Hardware included only compatible with standard drywalls.

### STEP 1



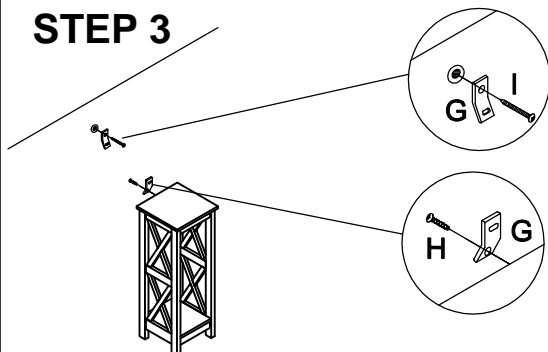
- 1.Find spot on wall 1" below top of item.
- 2.Using a drill bit slightly thinner than anchor ,drill hole into drywall.

### STEP 2



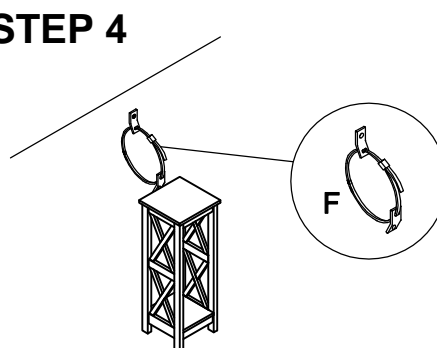
- 1.Use a light hammer to tap anchor into hole.
- 2.Anchor should fit snugly.If hole is too small, drill again to increase hole size .Do not force anchor into wall.

### STEP 3



- 1.Insert drywall screw into metal bracket and into drywall anchor.
- 2.Insert flathead screw into second metal bracket and into back of item.along top edge.

### STEP 4



- 1.Insert strap thru bracket attached to wall. then thru bracket on item , and into head of strap.
  - 2.pull lightly til strap stops.
- Assembly is complete.**