



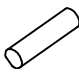
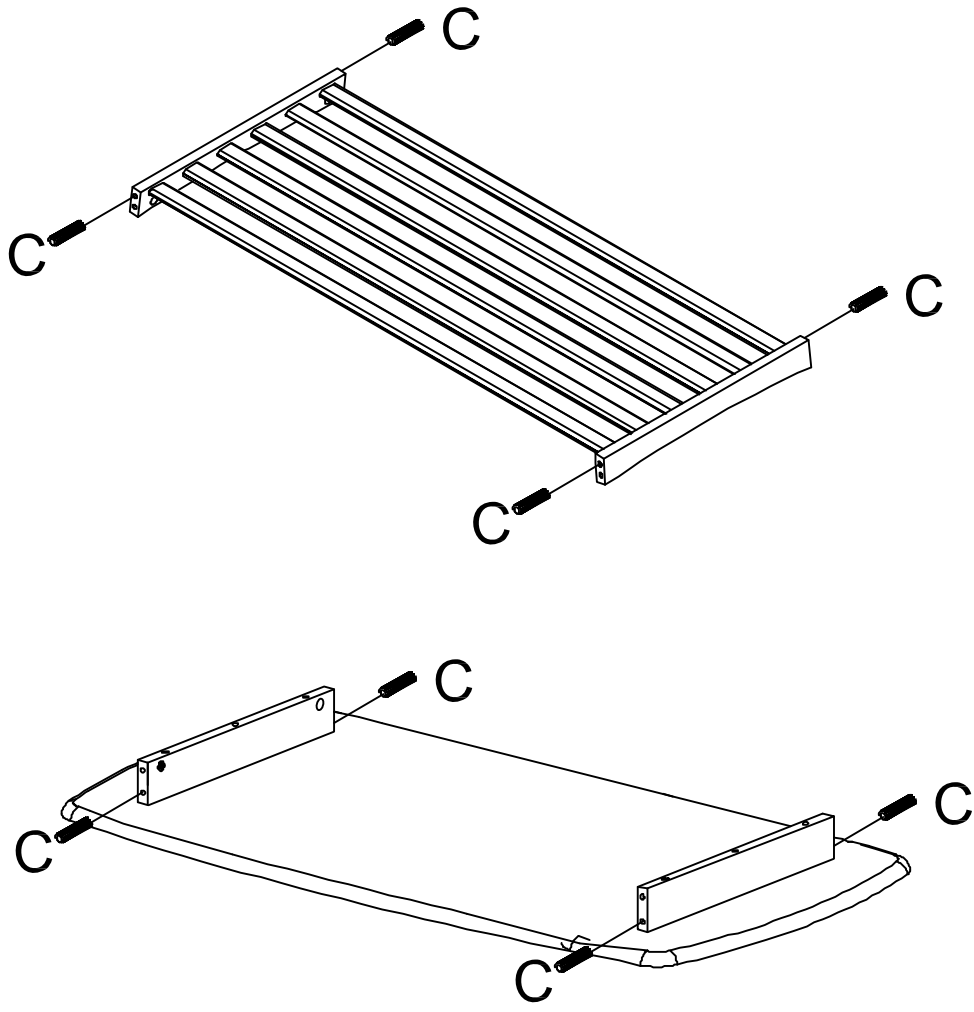


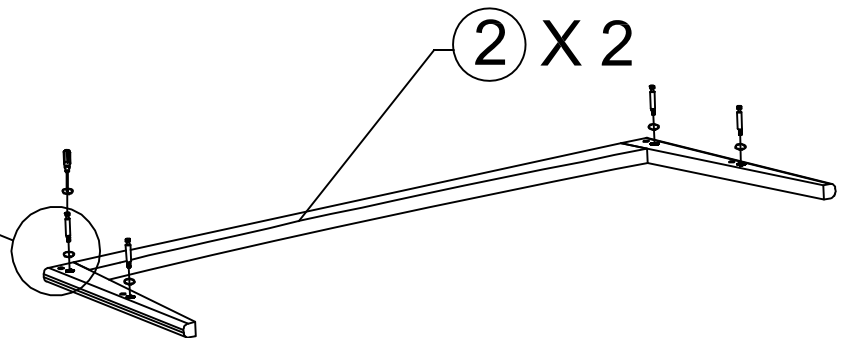
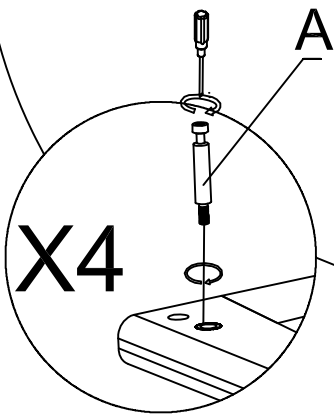
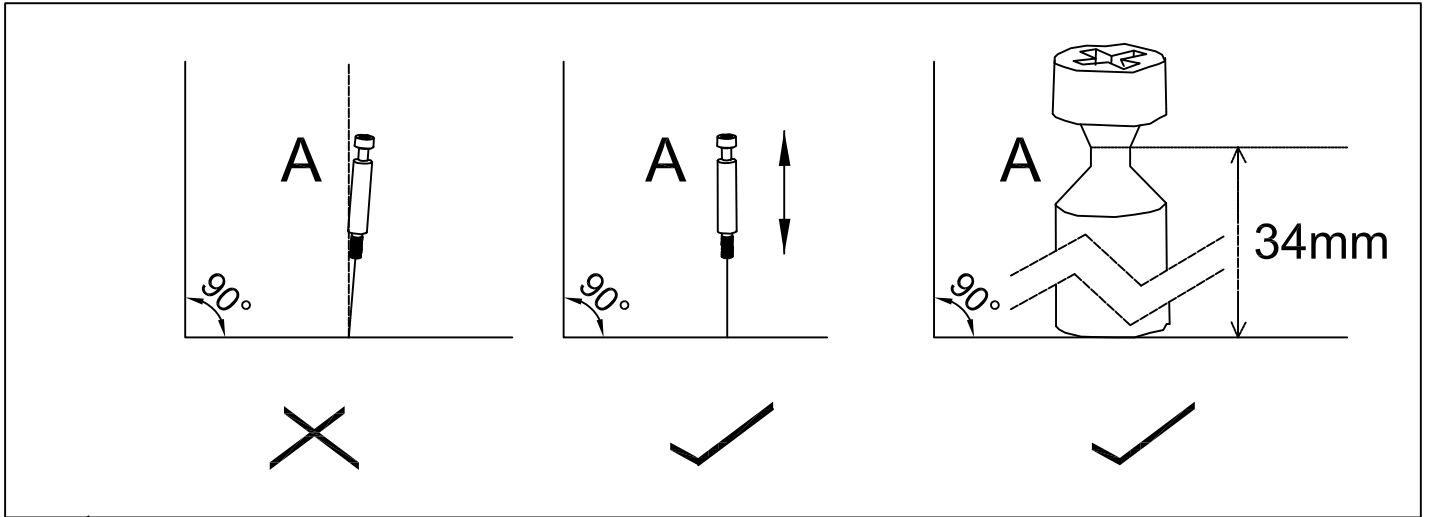
<p>Ax8</p>  <p>φ8*50</p>	<p>Bx8</p>  <p>φ15</p>	<p>Cx8</p>  <p>φ7.8*30</p>	<p>Dx8</p>  <p>φ10</p>
---	---	---	---

1 Cx8

2

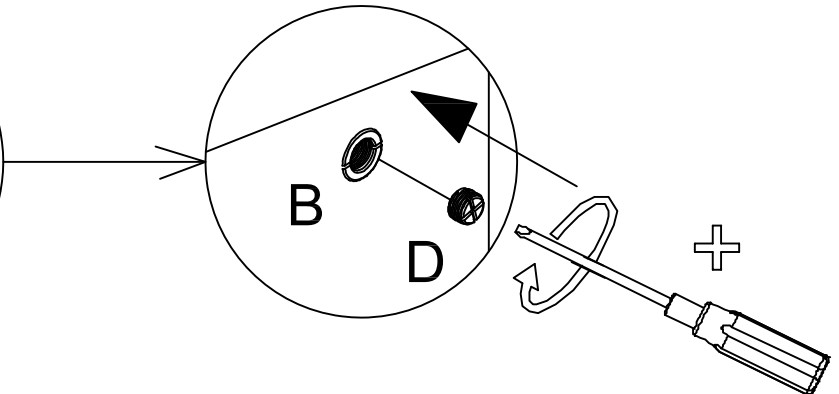
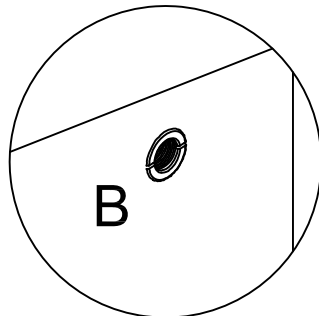
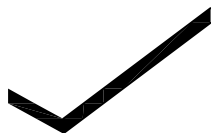
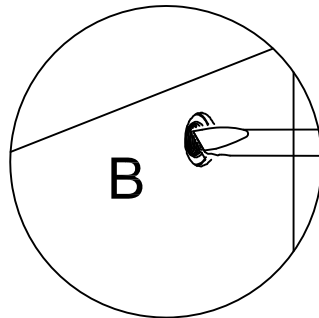
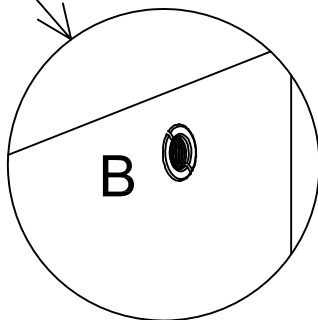
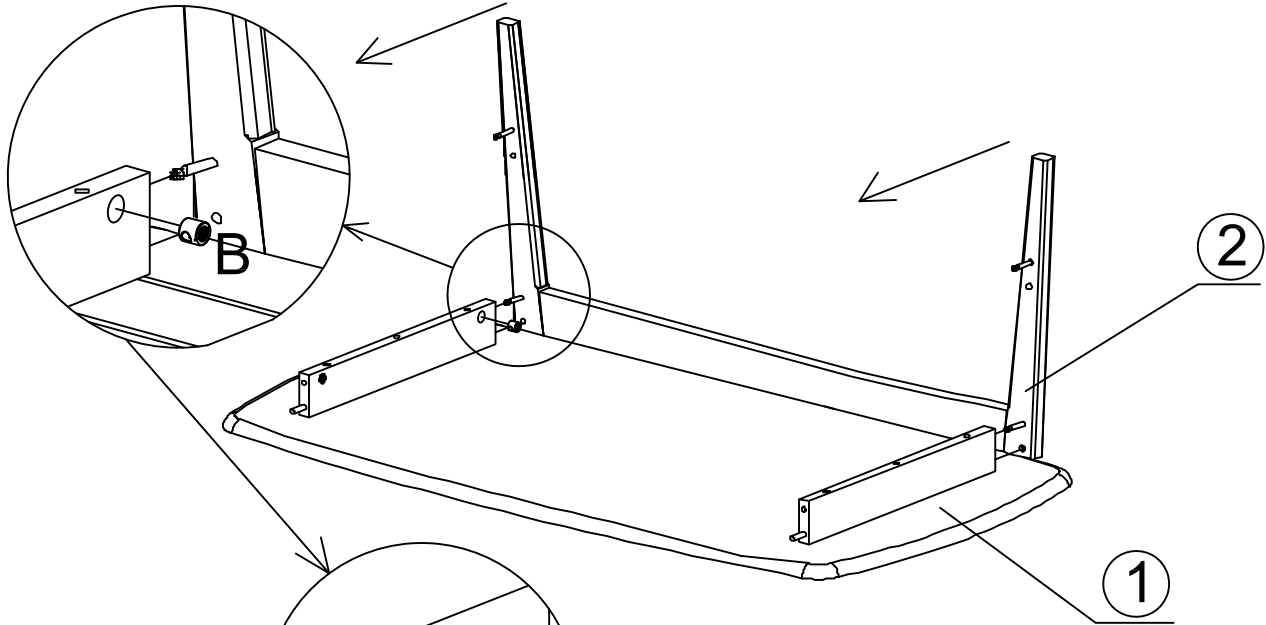
A x8



3

B x2

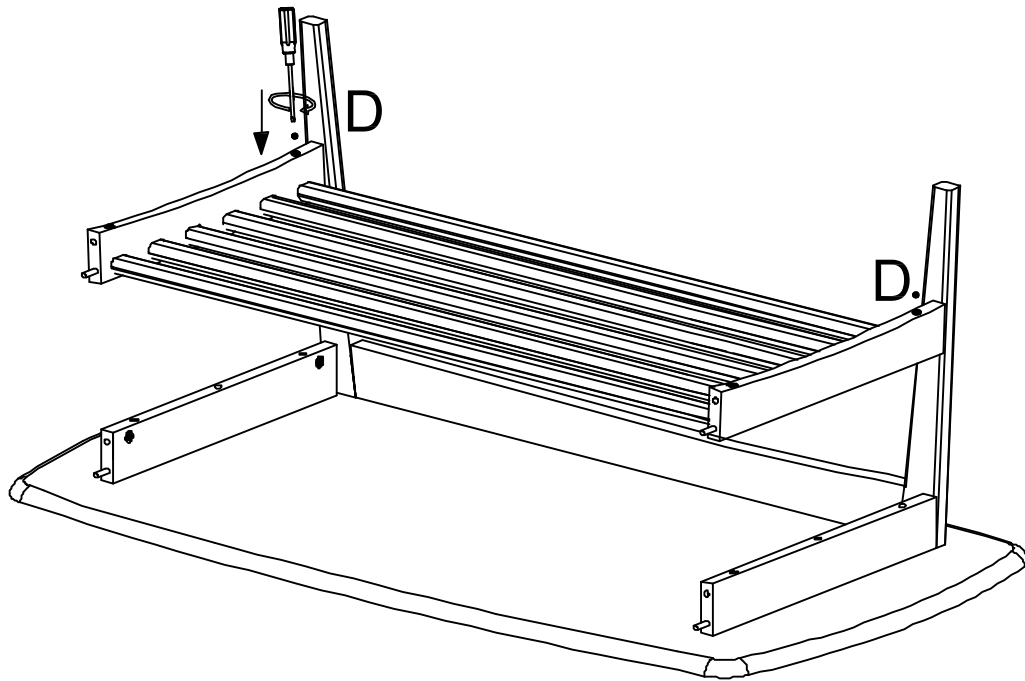
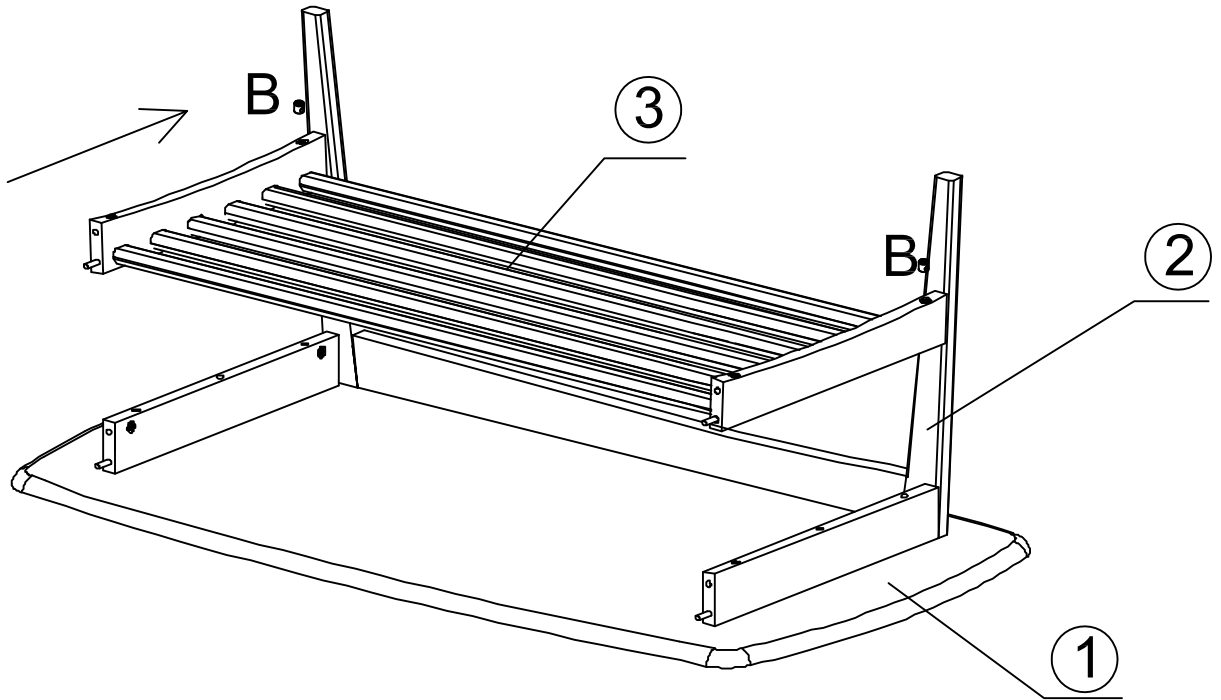
D x2



4

B x2

D x2



5

B x4

D x4

