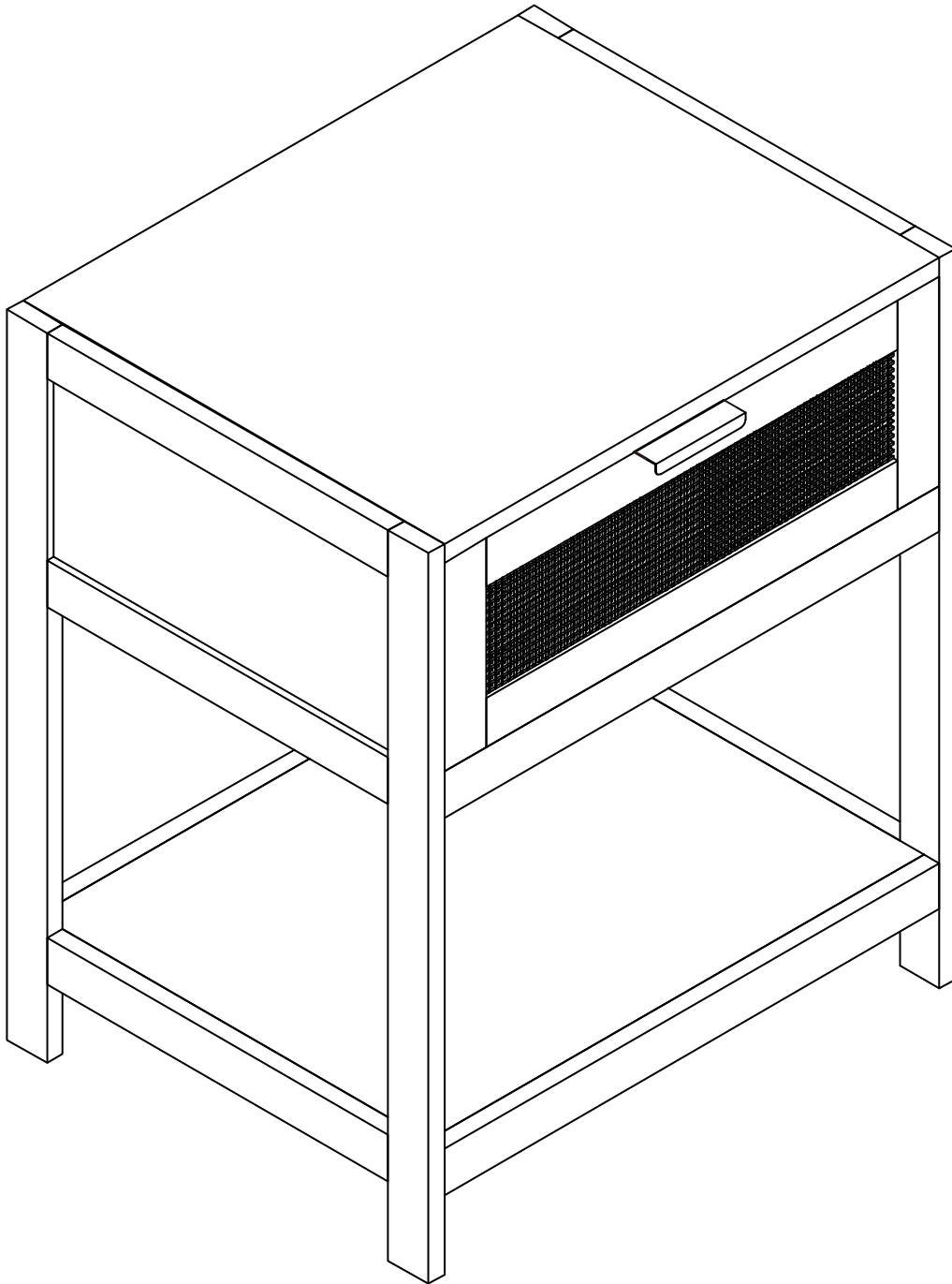
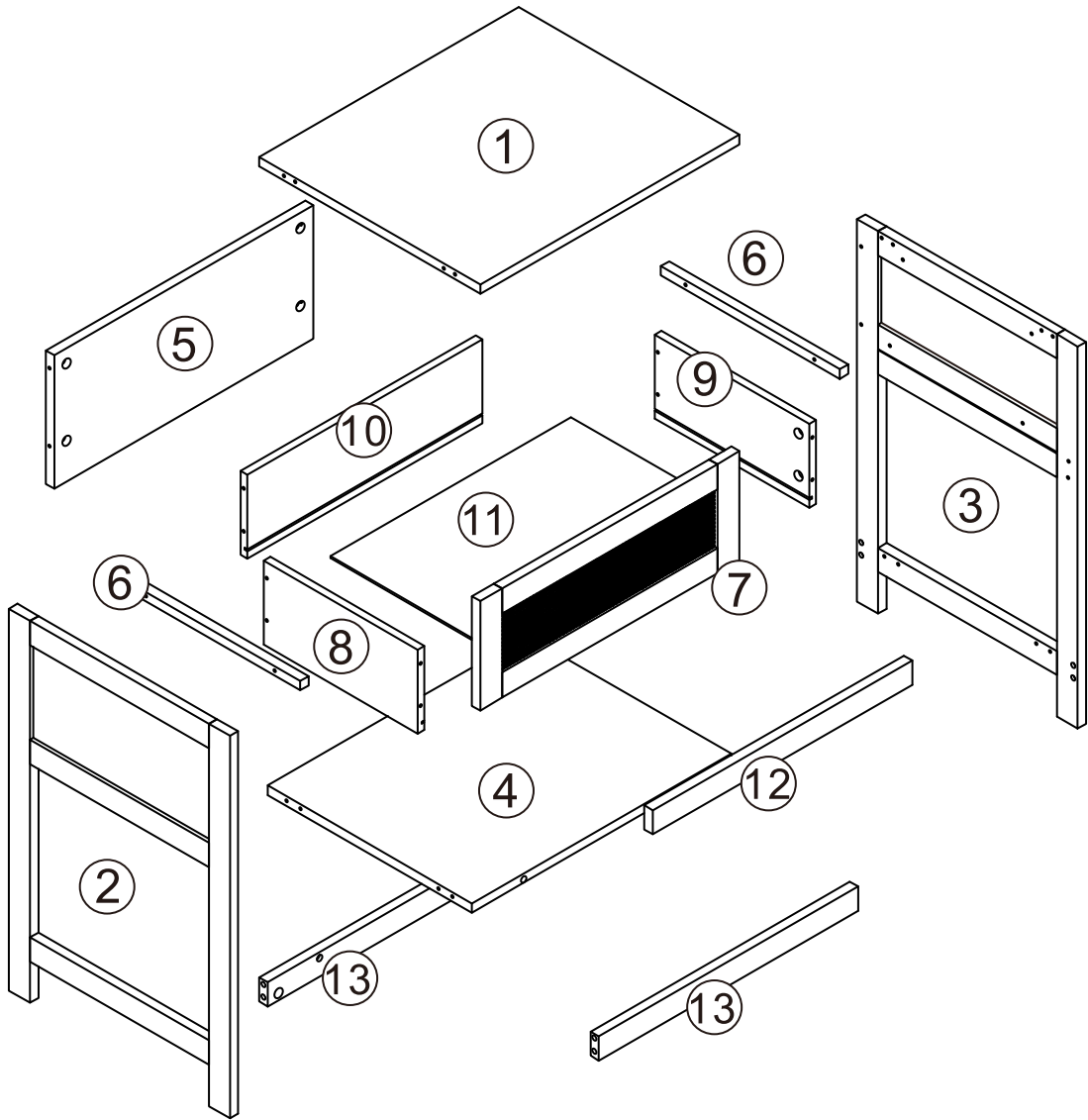



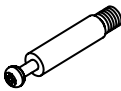

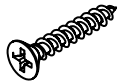
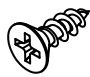
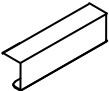






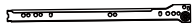
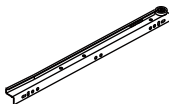
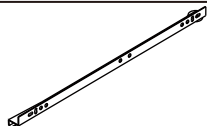
2406552

ASSEMBLY INSTRUCTIONS

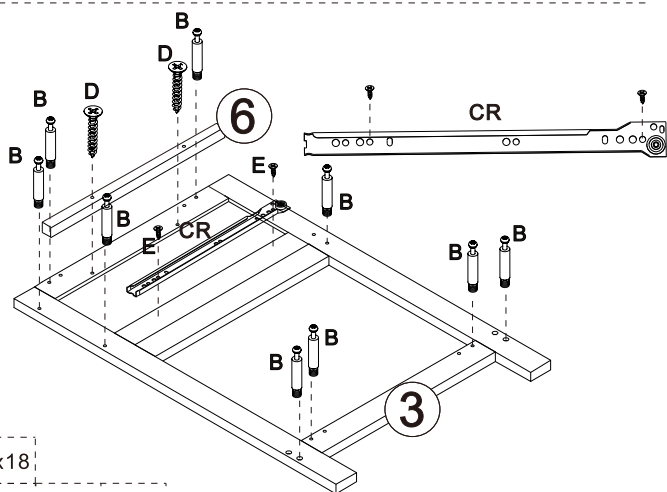
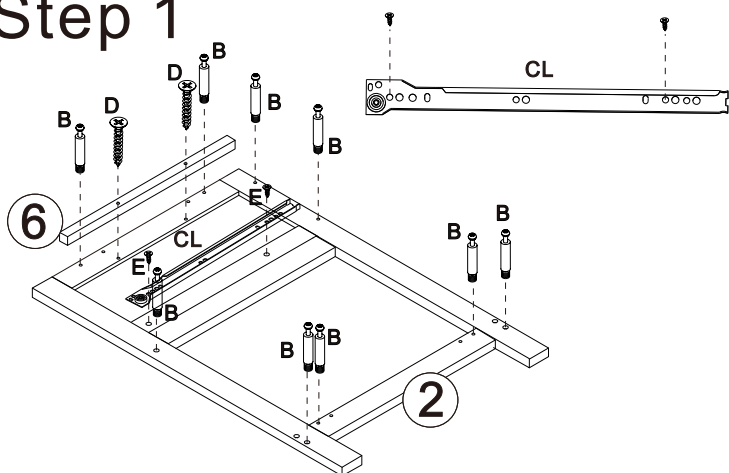
<<Before assembling, read all the instructions>>





| | | | | |
|---|---|---|---|---|
|  |  |  |  |  |
| Ax26 | Bx26 | Cx14 | Dx8 | Ex10 |
|  |  |  |  |  |
| Fx1 | Gx2 | Hx2 | Ix2 | Jx2 |
|  |  |  |  |  |
| Kx4 | CLx1 | CRx1 | DLx1 | DRx1 |

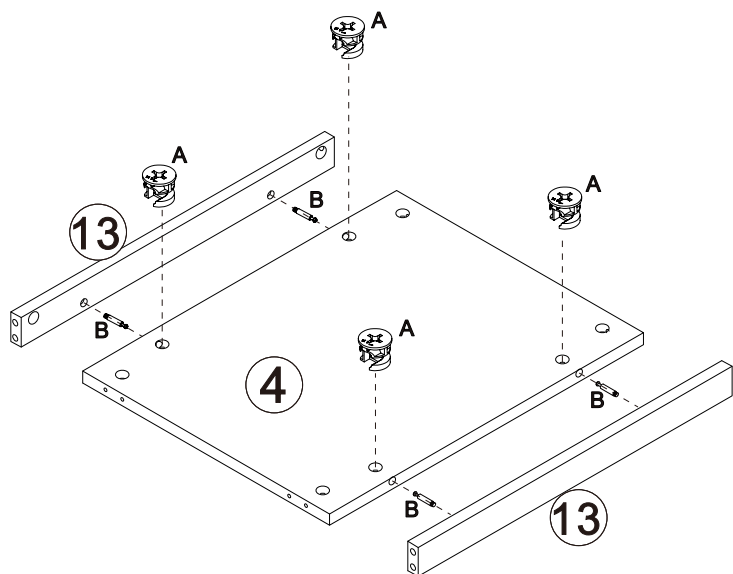
Step 1



| | |
|--|------|
| | Bx18 |
| | Dx4 |
| | Ex4 |
| | CLx1 |
| | CRx1 |

Fix nine pieces of Hardware B to Part 2&3
 Connect Part 6 to 2&3 with two pieces of Hardware D respectively
 Fix Hardware CL to Part 2 with two pieces of Hardware E
 Fix Hardware CR to Part 3 with two pieces of Hardware E

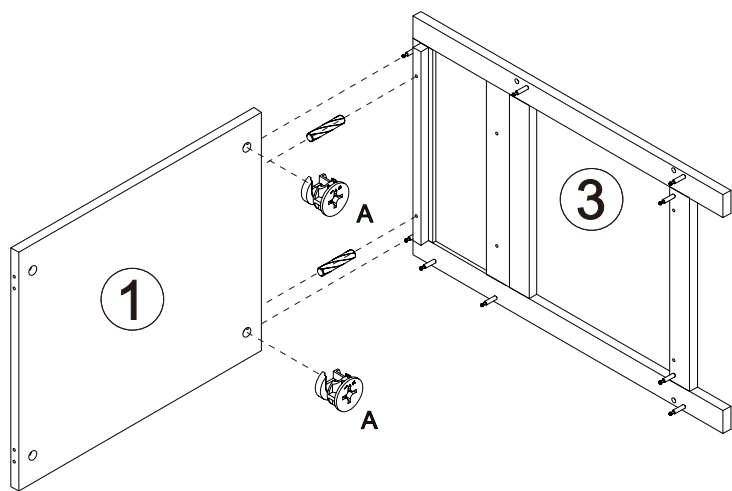
Step 2



Connect two Part 13 to 4 with Hardware A/B

| | |
|--|-----|
| | Ax4 |
| | Bx4 |

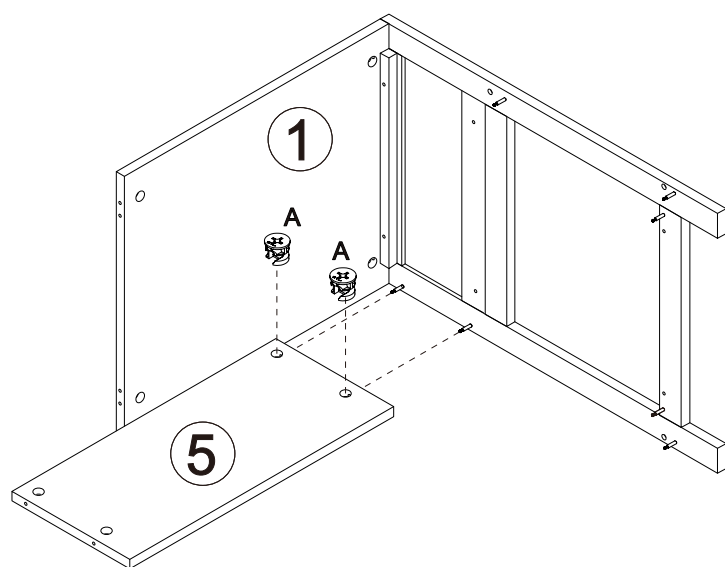
Step 3



Connect Part 1 to 3 with Hardware A/C

| | |
|--|-----|
| | Ax2 |
| | Cx2 |

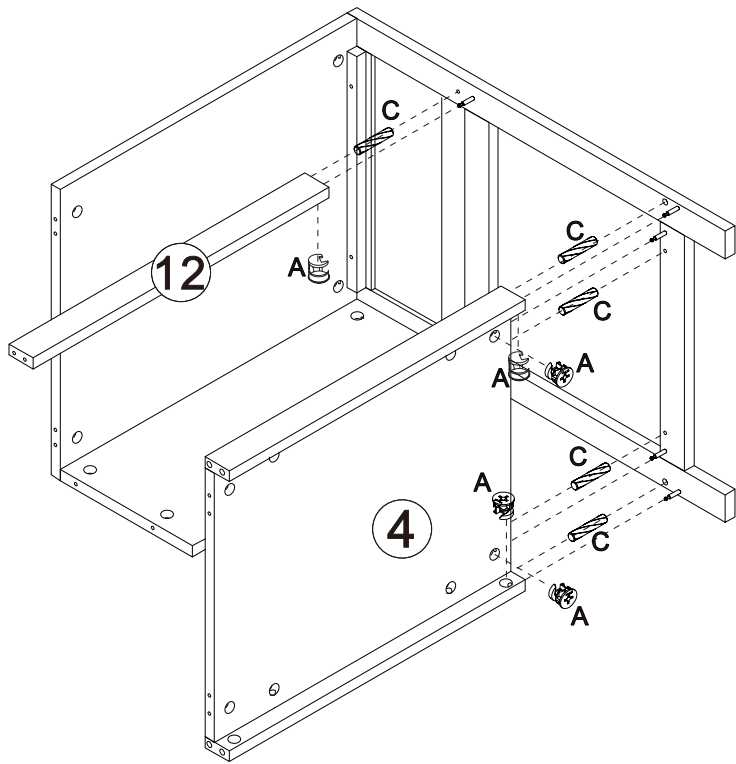
Step 4



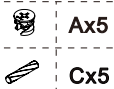
Connect Part 5 to 3 with Hardware A

| | |
|--|-----|
| | Ax2 |
|--|-----|

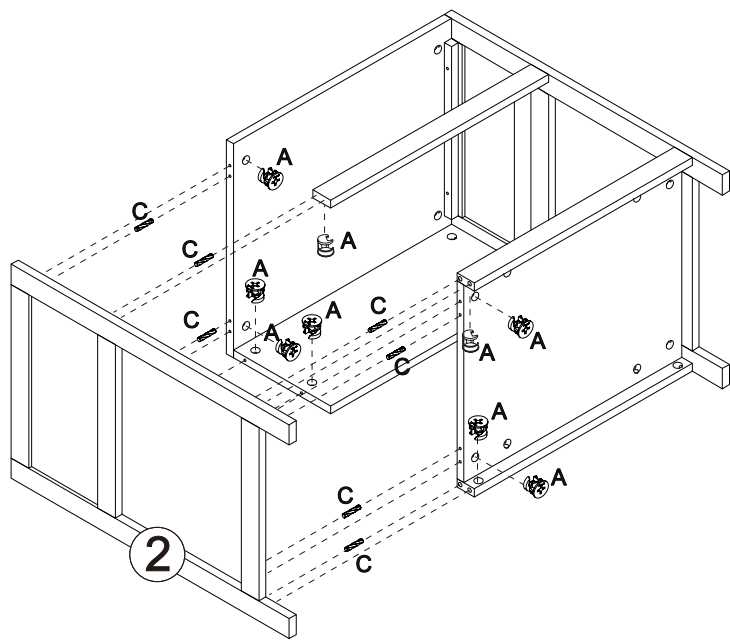
Step 5



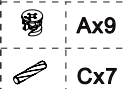
Connect Part 12&4 to 3 with five pieces of Hardware A/C



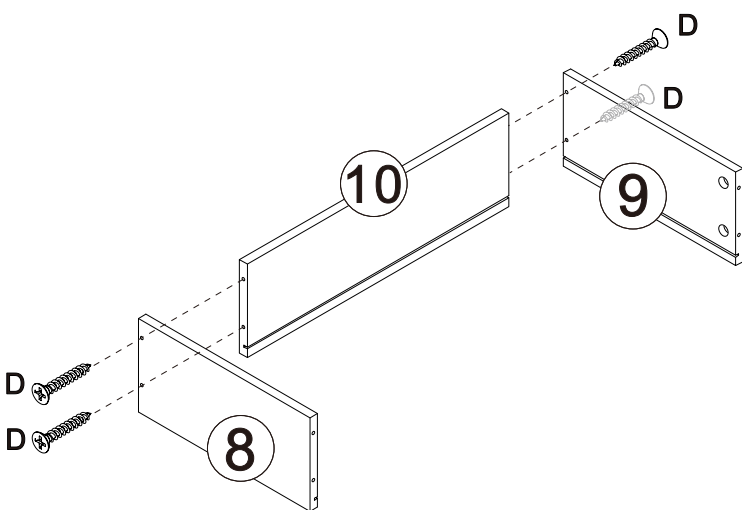
Step 6



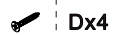
Connect Part 2 to 1&5&12&4 with seven pieces of Hardware C and nine pieces of Hardware A



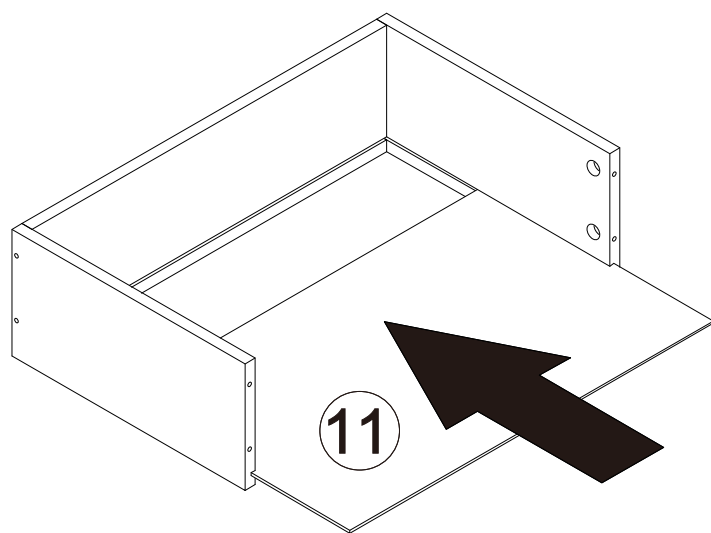
Step 7



Connect Part 10 to 8&9 with Hardware D

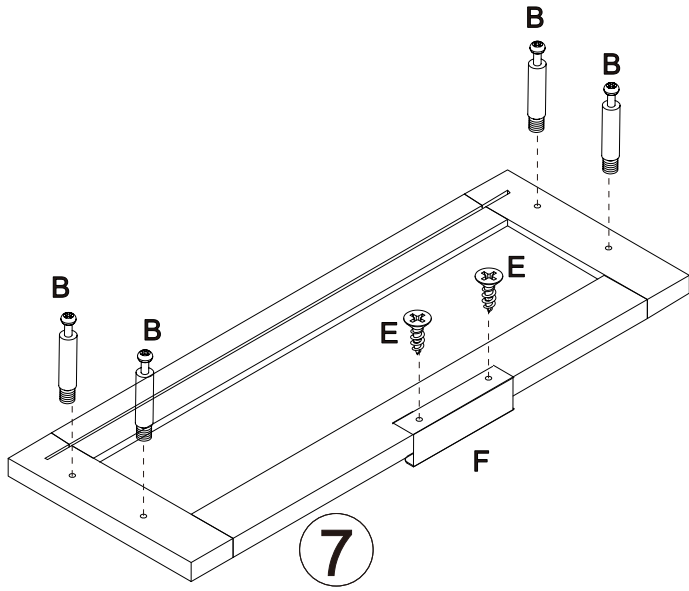


Step 8






Slide Part 11 along the slots of 8&9

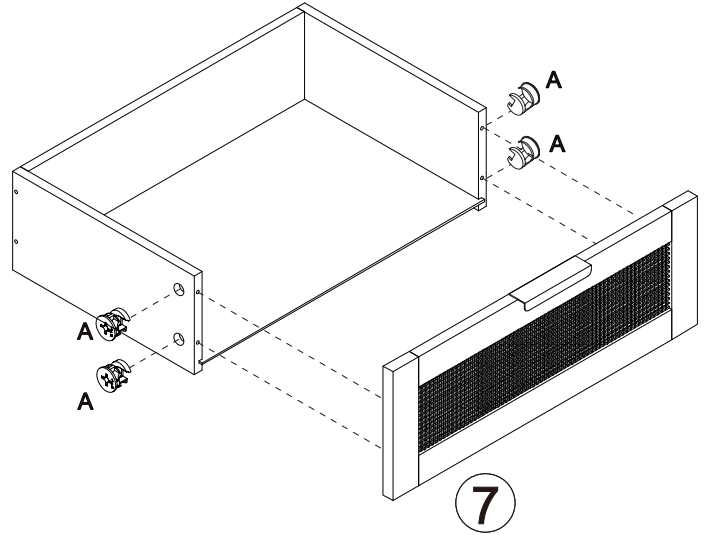
Step 9



Fix Hardware B to Part 7
Fix Hardware F to Part 7 with Hardware E

-  Bx4
-  Ex2
-  Fx1

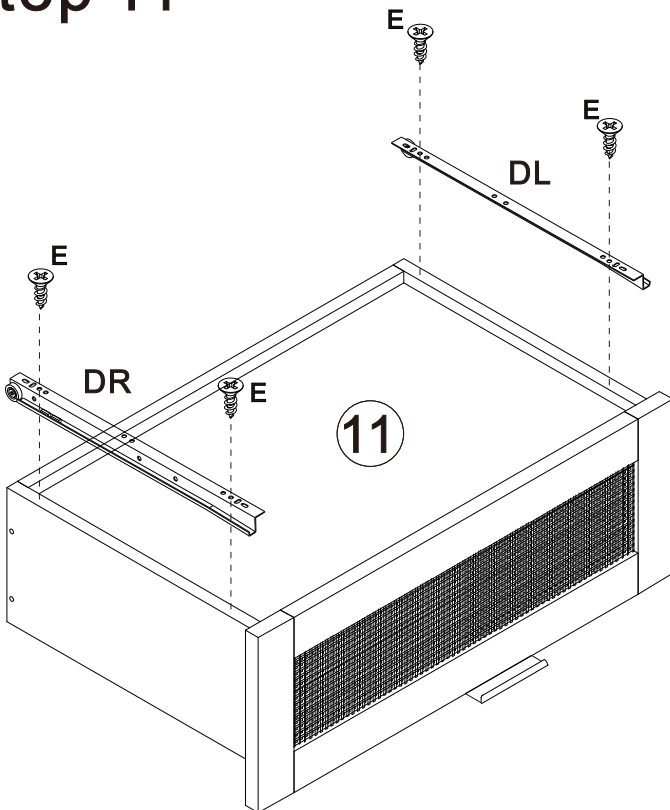
Step 10






Lock Part 7 to 8&9 with Hardware A

-  Ax4

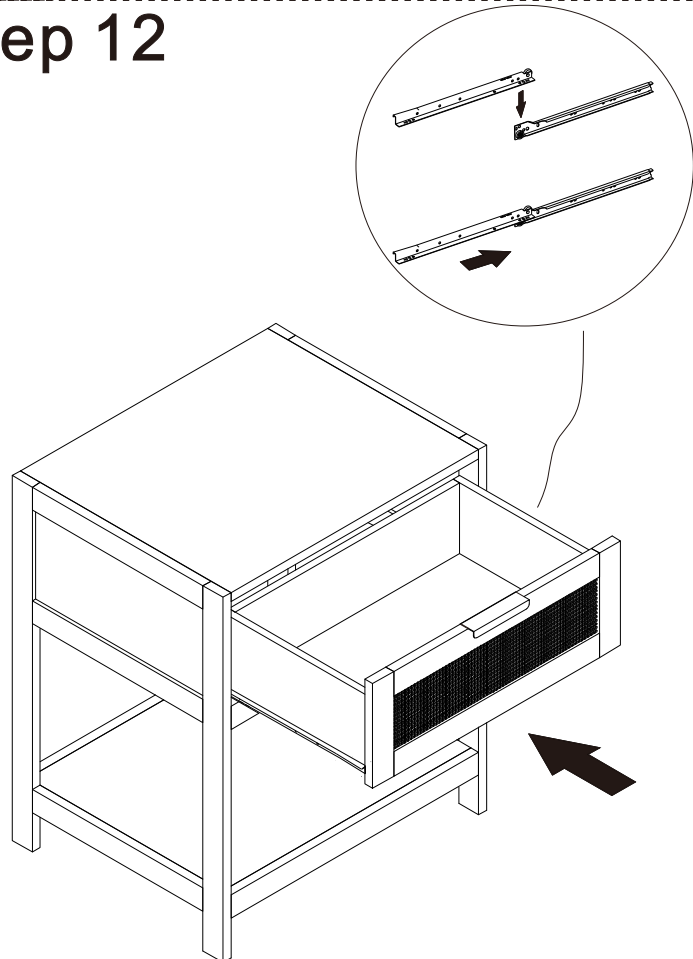
Step 11



Turn the drawer upside down
Fix Hardware DR to Part 9 with Hardware E
Fix Hardware DL to Part 8 with Hardware E

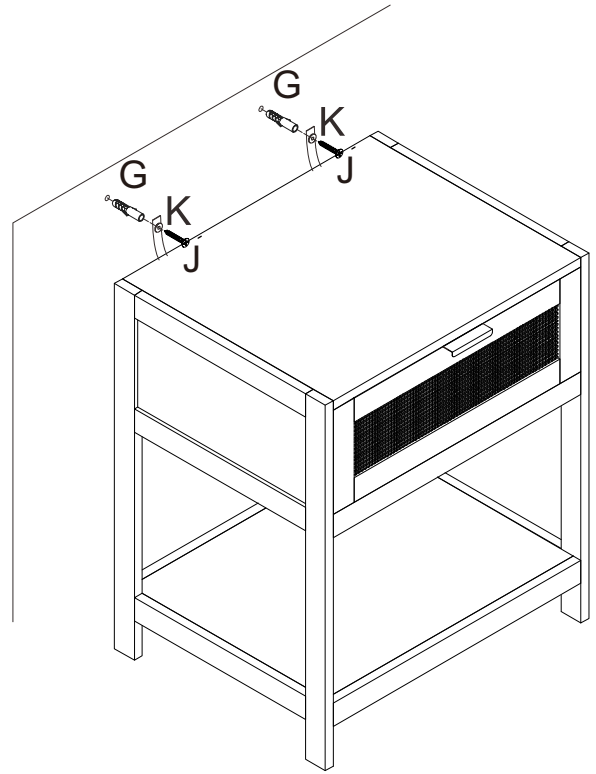
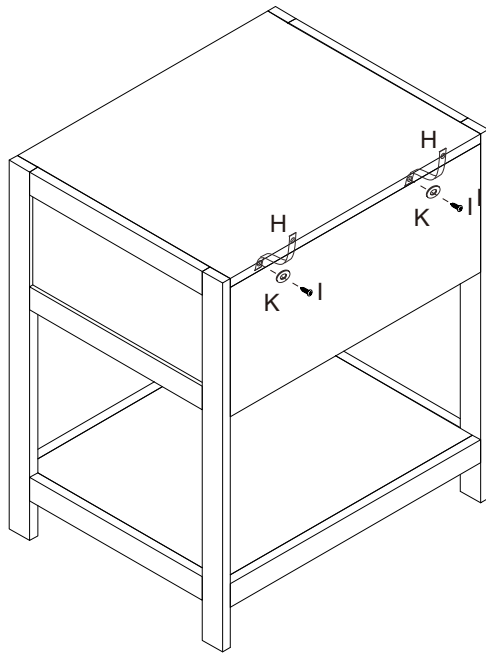
-  Ex4
-  DLx1
-  DRx1




Step 12

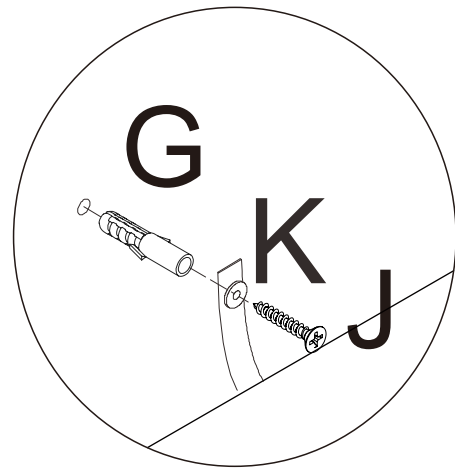
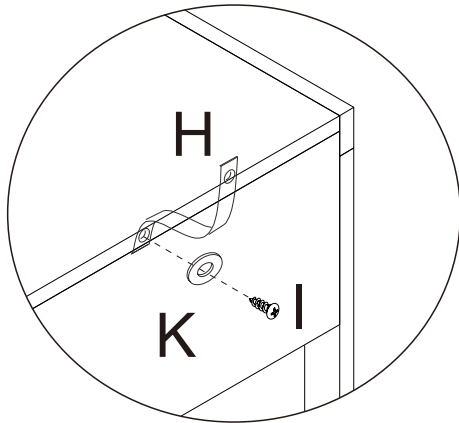


Push assembled drawer into cabinet
along the drawer track

Step 13



| | |
|---|-----|
|  | Gx2 |
|  | Jx2 |
|  | Kx2 |



SAFETY NOTICE

PREVENT FURNITURE TIP OVER ACCIDENTS

Free Standing Furniture above 600mm in height must be securely attached to the wall to prevent it from tipping over and causing injury. Please Use the anti-tip restraint provided

One end of this restraint must be secured to the cabinet with the screw(s) provided in the fittings pack.

The other end of the restraint must be attached to the wall with hardware appropriate for that wall type.

Never put a TV or other heavy objects on top of a chest of drawers or any furniture not intended for use with a TV.

Place heavy objects in the lowest drawers or shelves

Never let children climb or hang on drawers, doors or shelves