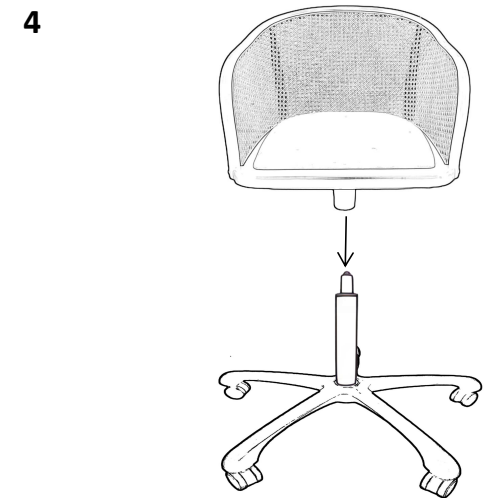
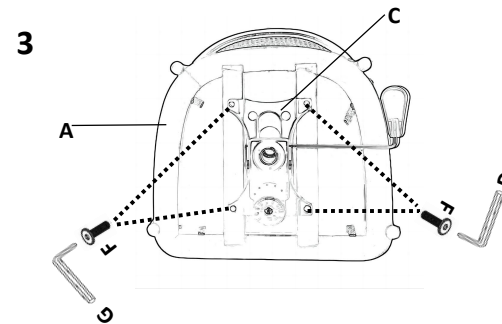
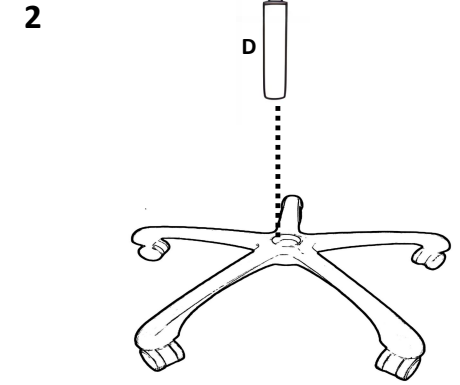
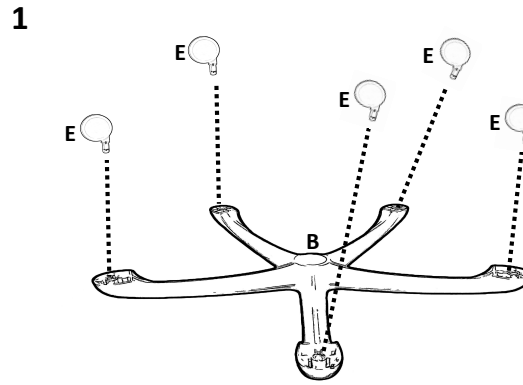


# Assembly Instructions Office Chair

PLEASE NOTE: Check that you have received all components and hardware before assembling. If you are missing any parts, contact your retailer.



A (1 pc)



B (1 pc)



C (1 pc)



D (1 pc)



E (5 pcs)



F (4 pcs)



G (4 pcs)

During assembly, hand tighten screws only. When the screws are in place and chair is level on the floor, tighten completely.