

# ASSEMBLING INSTRUCTION

1.X1PC



2.X1PC



3.X1PC



4.X4PCS



A.X4PCS



B.X4PCS



C.X4PCS



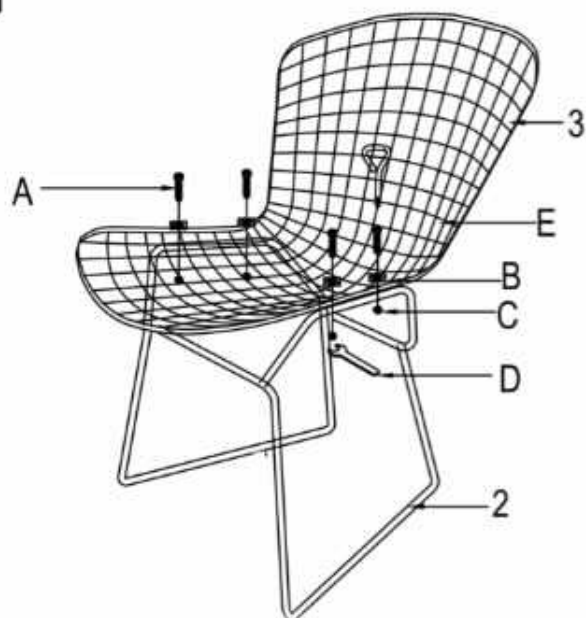
D.X1PC



E.X1PC



1



2

