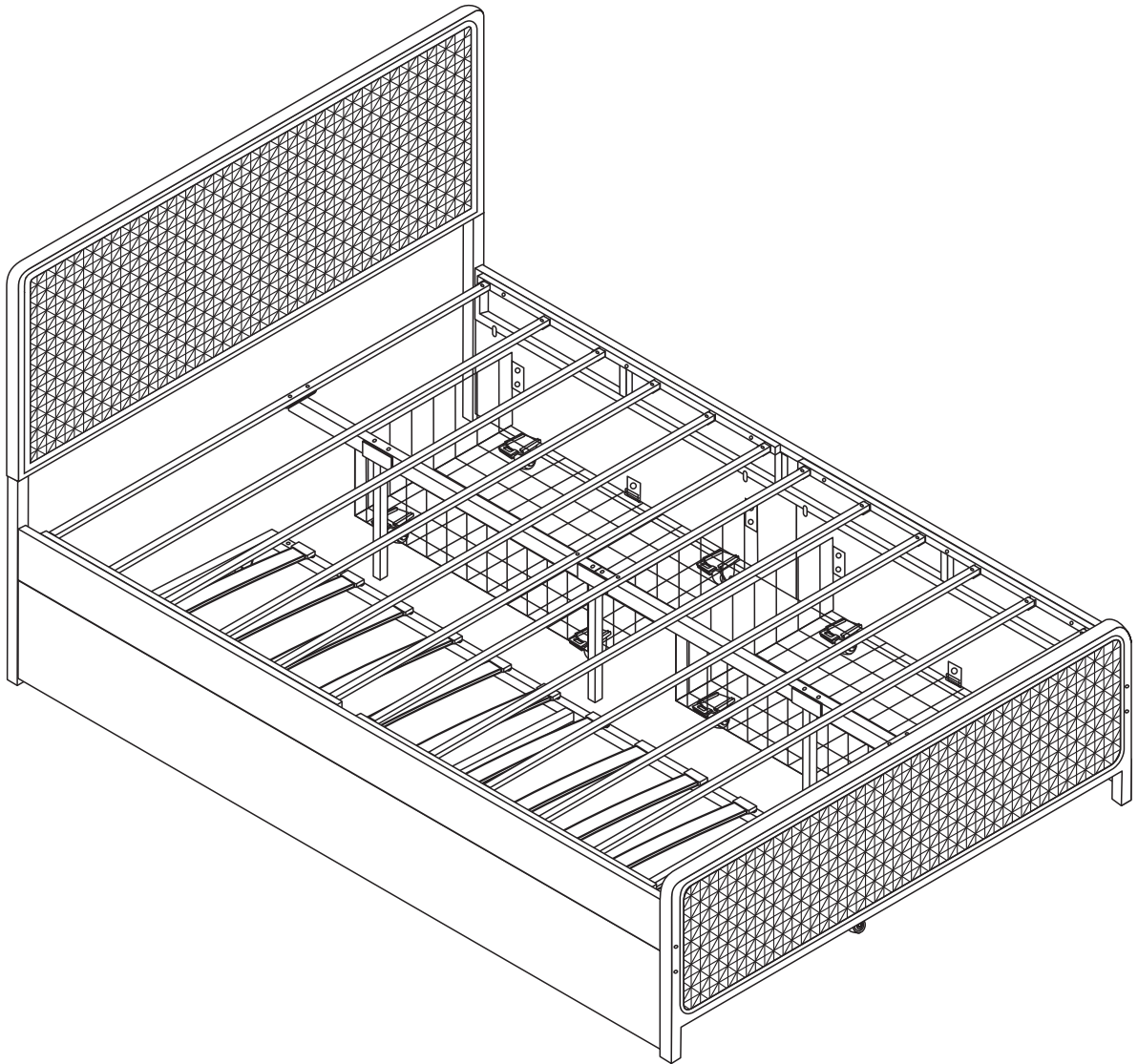


ASSEMBLY INSTRUCTIONS

SKU:WF318678AAK/WF318679AAK
WF318680AAK/WF318681AAK

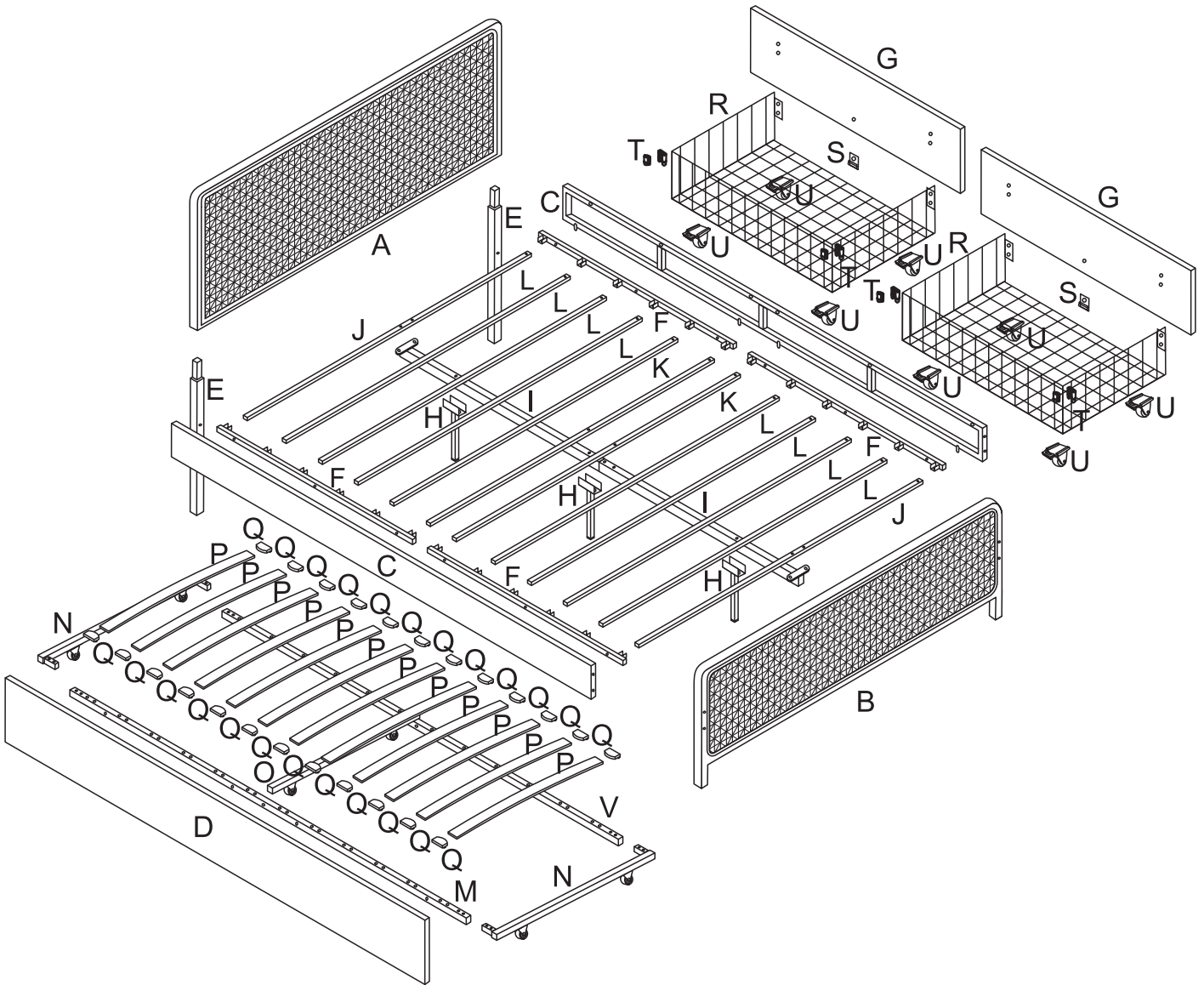


Dear Customers,

Thank you for purchasing our product. Please read this instruction manual carefully after receiving this product. It will help you assemble this product quickly, safely and correctly. You can keep this manual for future reference.

MADE IN CHINA

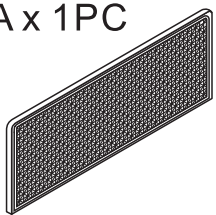
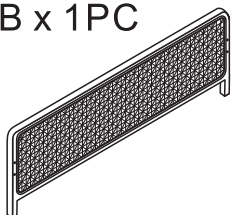

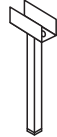
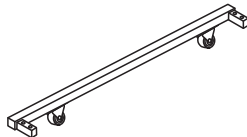
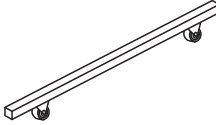
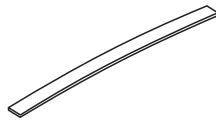

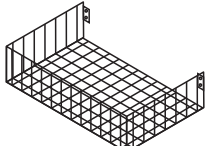



ASSEMBLY INSTRUCTIONS










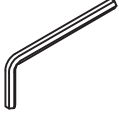

Notice: Do not tighten the screws too tightly at the beginning of the assembly. Wait until all the hole positions and screws are matched, then gently tighten all the screws.

ASSEMBLY INSTRUCTIONS

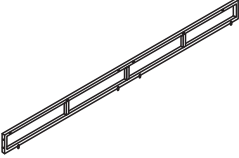
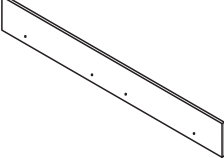
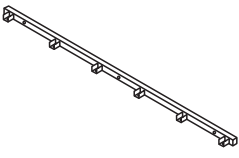
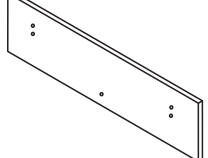
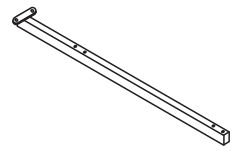
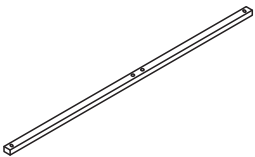
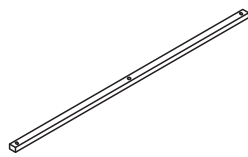
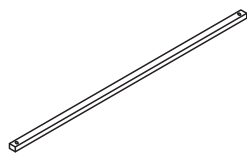
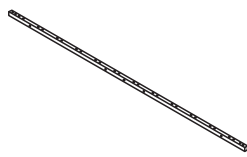
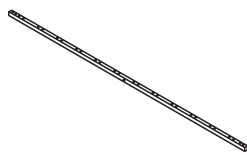
Part List:WF318678AAK/WF318680AAK

A x 1PC 	B x 1PC 	E x 2PCS 	H x 3PCS 	N x 2PCS 
O x 1PC 	P x 12PCS 	Q x 24PCS 	R x 2PCS 	S x 2PCS 
T x 4PCS 	U x 8PCS 			

Hardware List :WF318678AAK/WF318680AAK

1 x10PCS  M8 x 55mm	2 x30PCS  M6 x 25mm	3 x6PCS  M6 x 35mm	4 x24PCS  M8 x 25mm	5 x4PCS  M6 x 45mm
6 x10PCS  M6 x 13mm	7 x4PCS  M6	8 x1PC 	9 x1PC 	

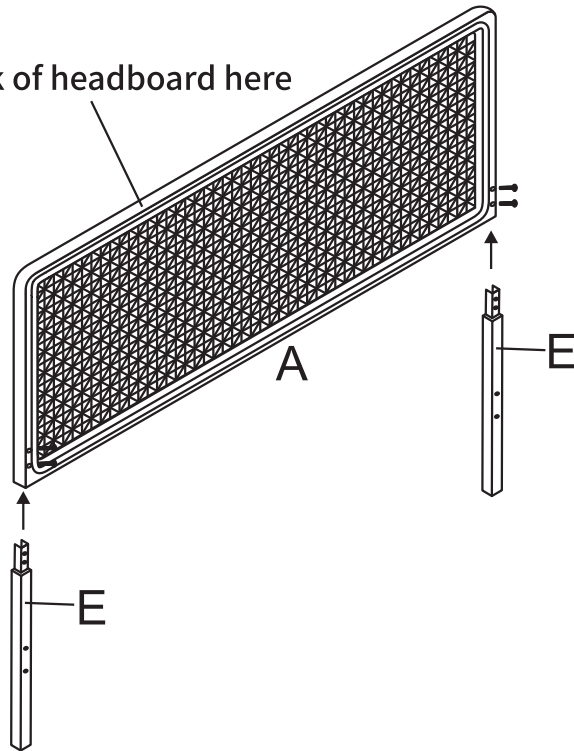
Part List:WF318679AAK/WF318681AAK

C x 2PCS 	D x 1PC 	F x 4PCS 	G x 2PCS 	I x 2PCS 
J x 2PCS 	K x 2PCS 	L x 8PCS 	M x 1PC 	V x 1PC 

ASSEMBLY INSTRUCTIONS

1

Notice: It's back of headboard here

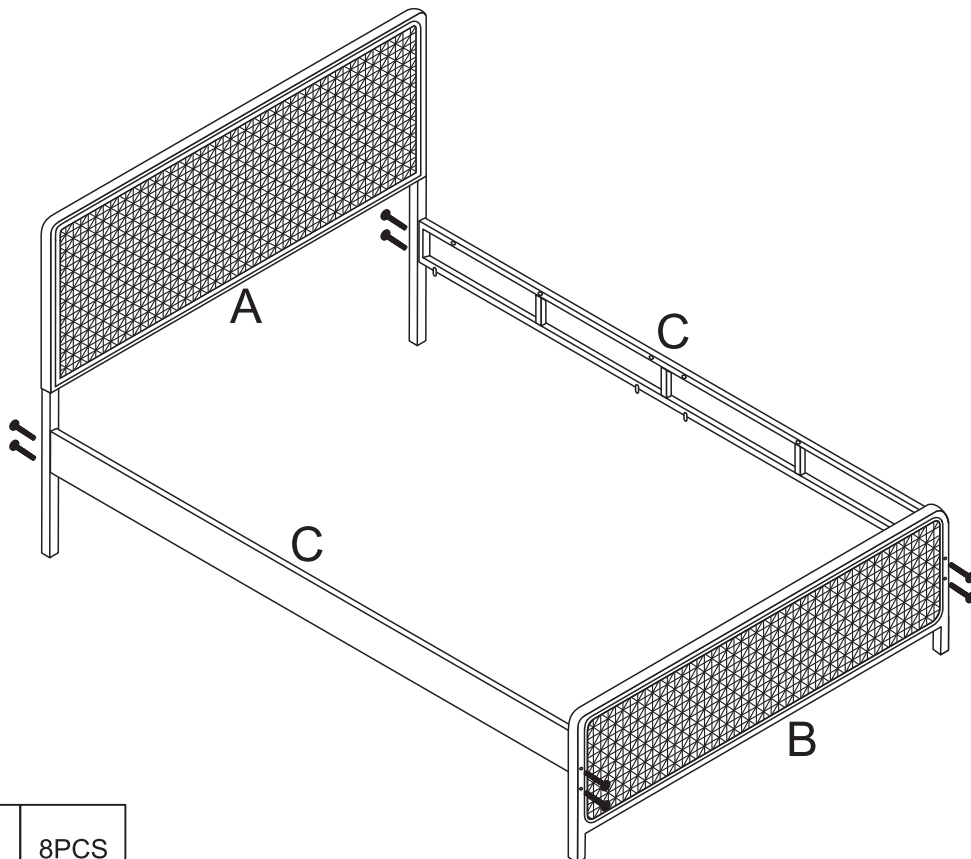


4

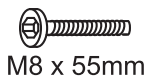


4PCS

2



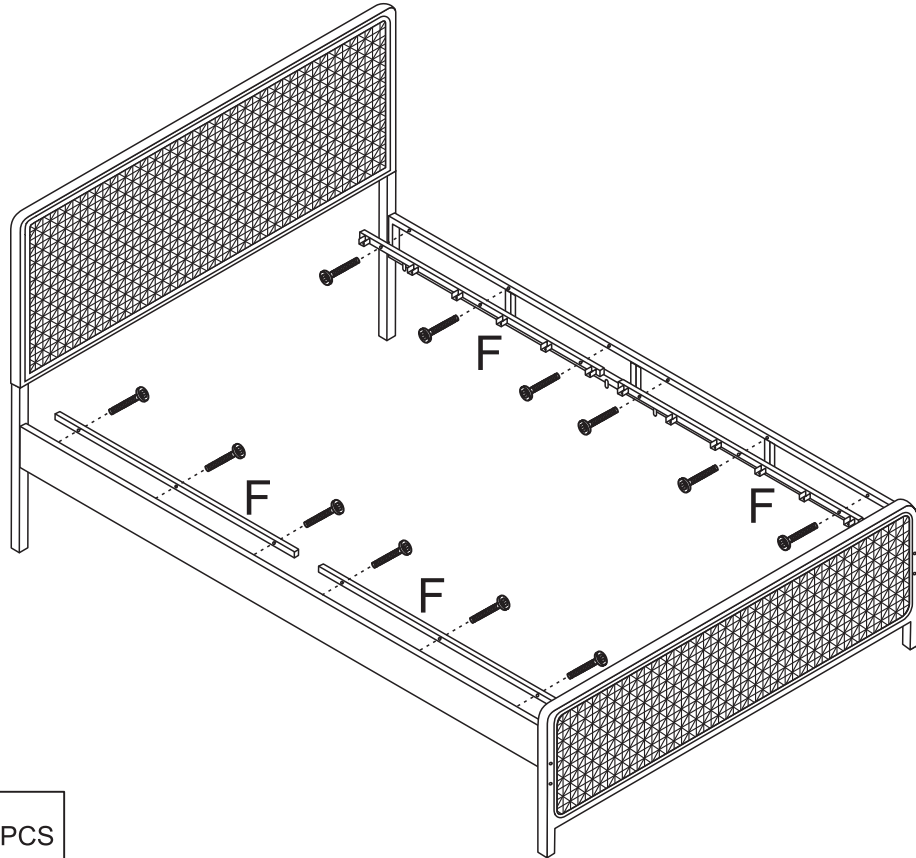
1



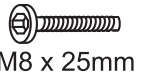
8PCS

ASSEMBLY INSTRUCTIONS

3



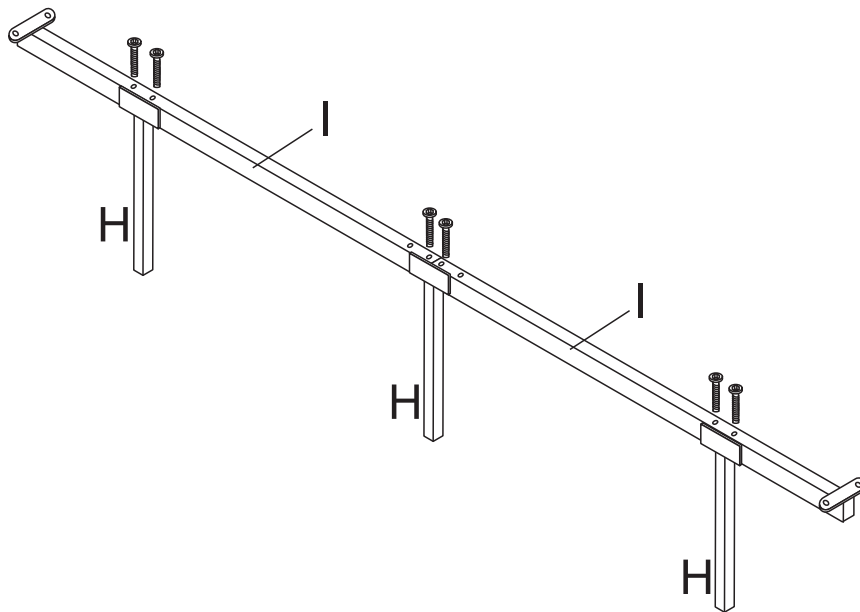
4



12PCS

M8 x 25mm

4



3

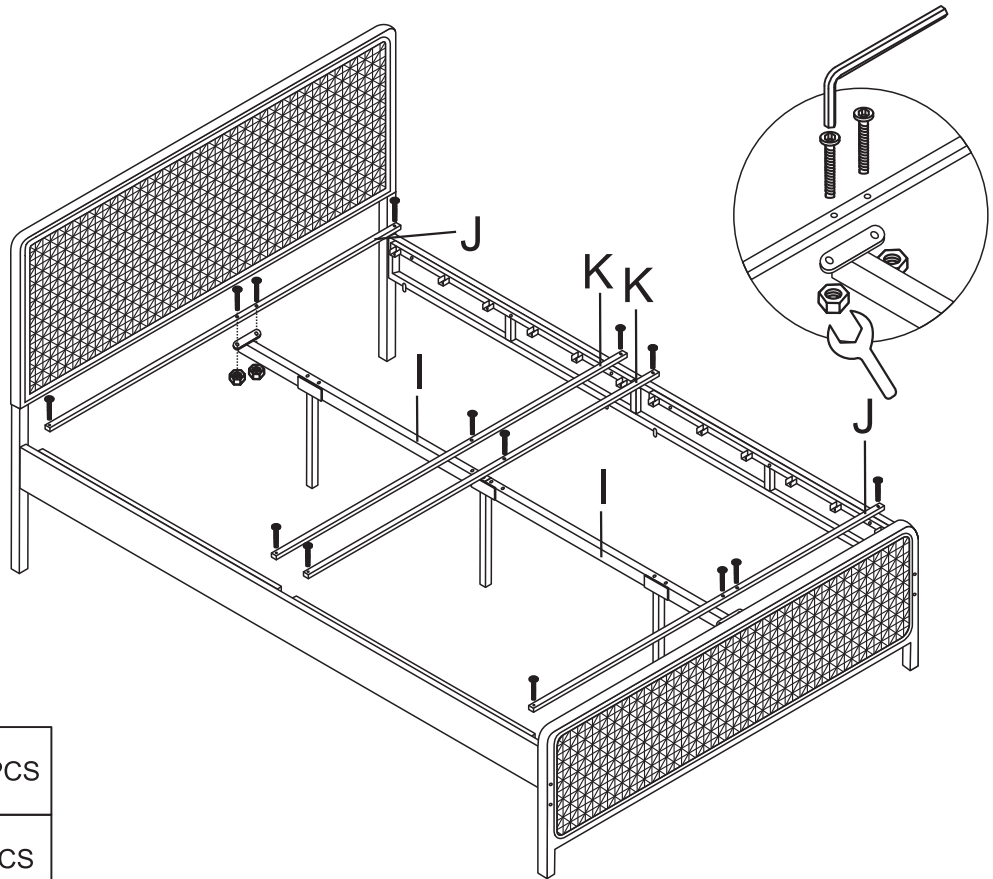


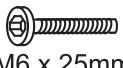

6PCS

M6x 35mm

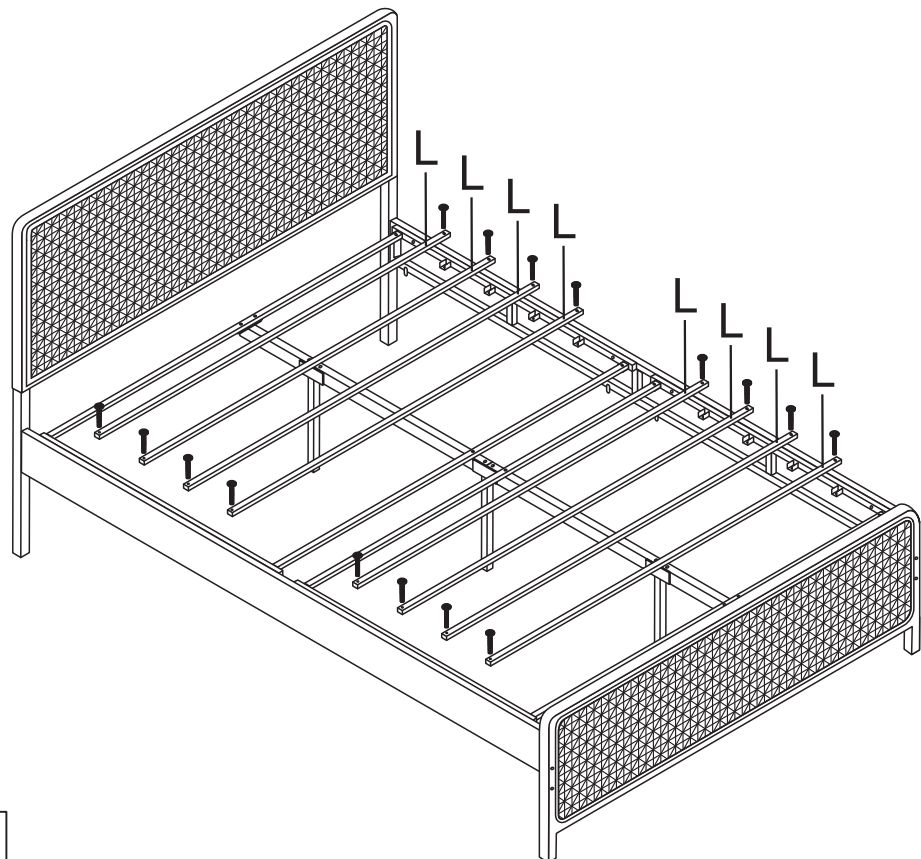
ASSEMBLY INSTRUCTIONS

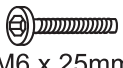
5



2	 M6 x 25mm	14PCS
7	 M6	4PCS

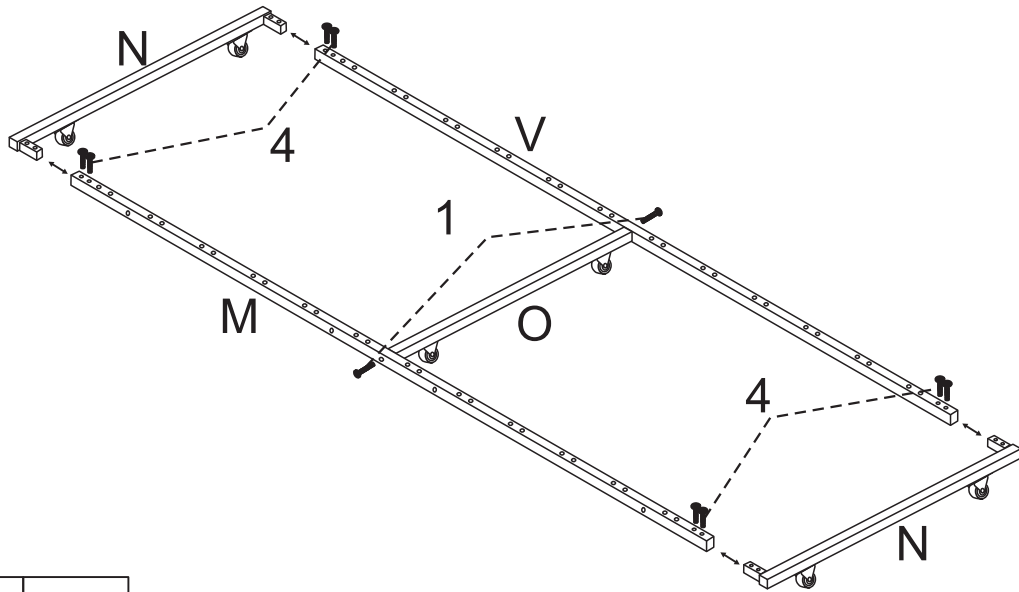
6





2	 M6 x 25mm	16PCS
---	--	-------

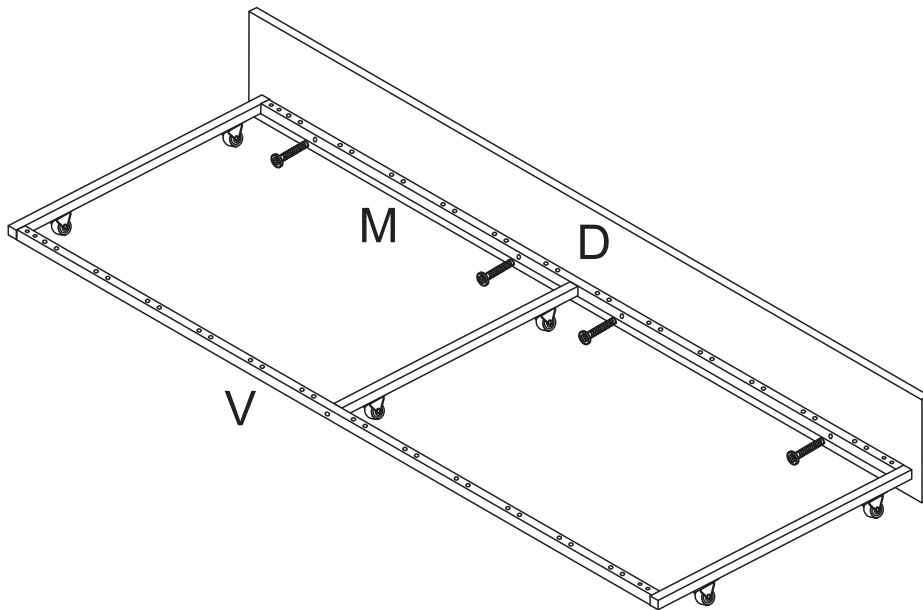
ASSEMBLY INSTRUCTIONS


7



1	 M8x 55mm	2PCS
4	 M8x 25mm	8PCS

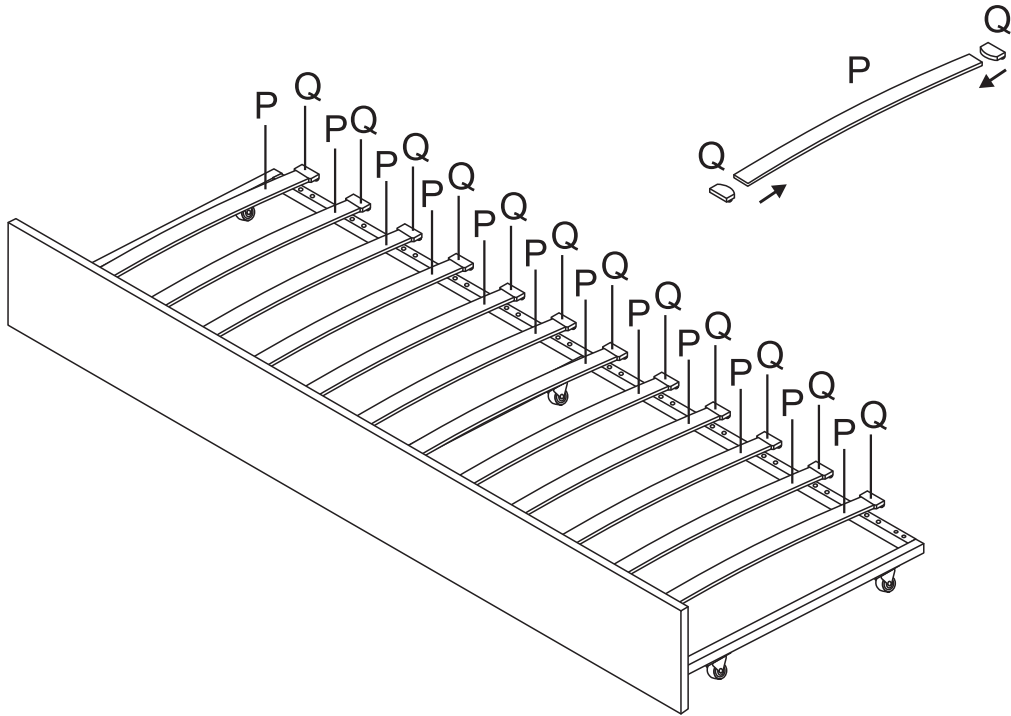
8



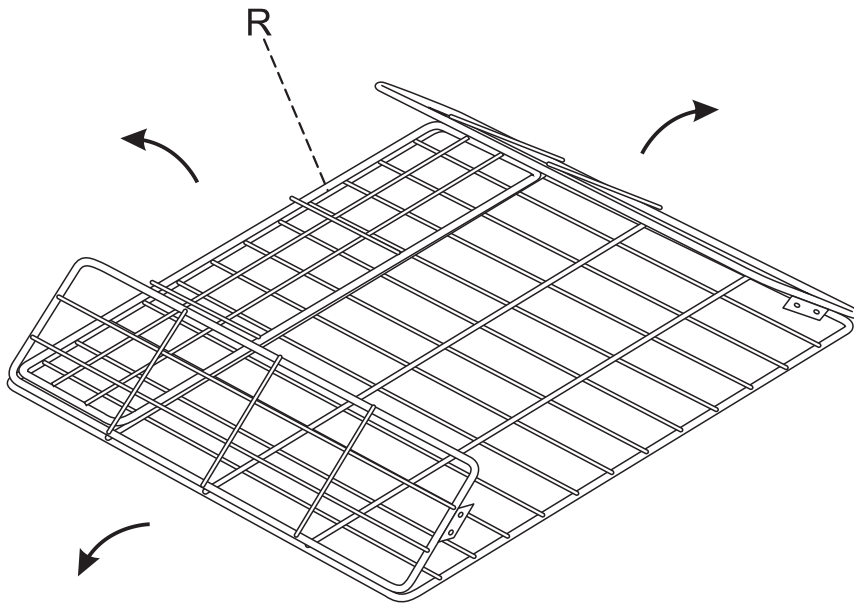
5	 M6x 45mm	4PCS
---	---	------

ASSEMBLY INSTRUCTIONS

9

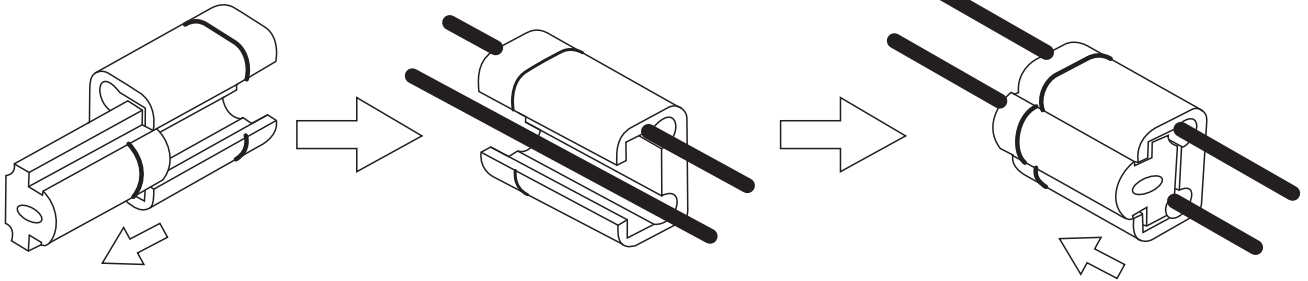


10



ASSEMBLY INSTRUCTIONS

11

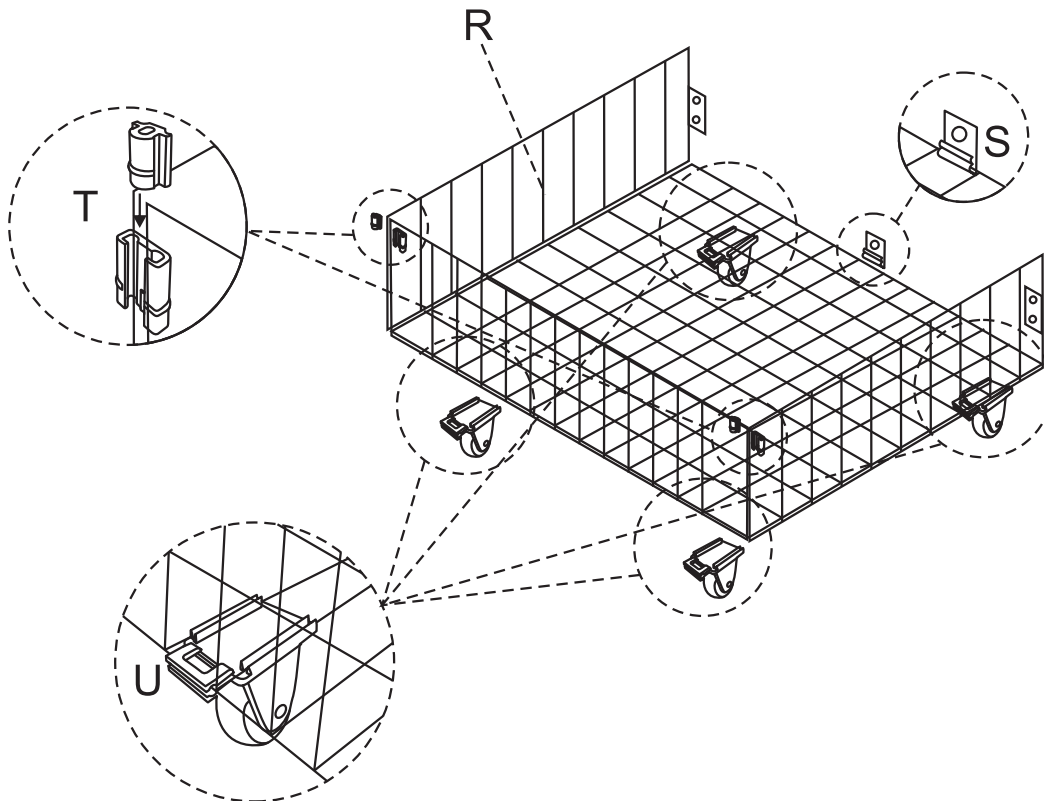


You can pull the buckle out by following the direction indicated by the arrow

Place iron mesh as shown for better drawer assembly

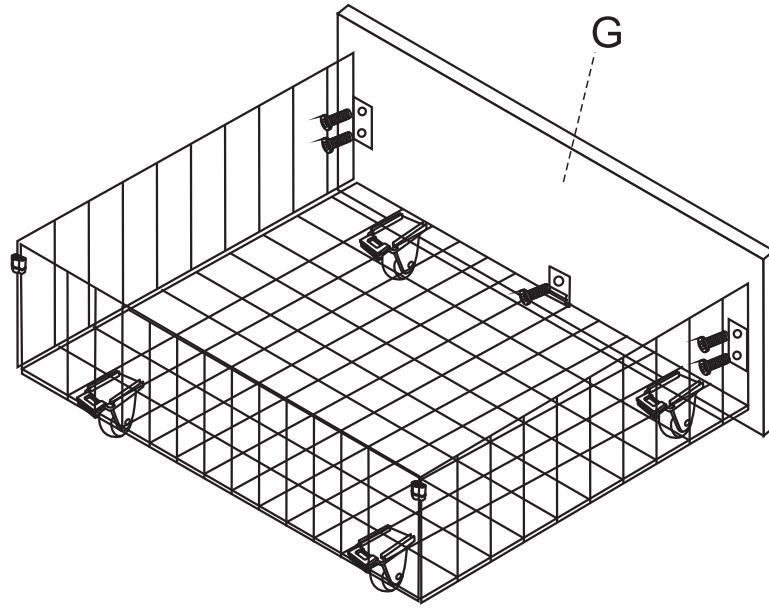
This is the only direction that can be locked.

12



ASSEMBLY INSTRUCTIONS

13



6 M6x13 10PCS

14

