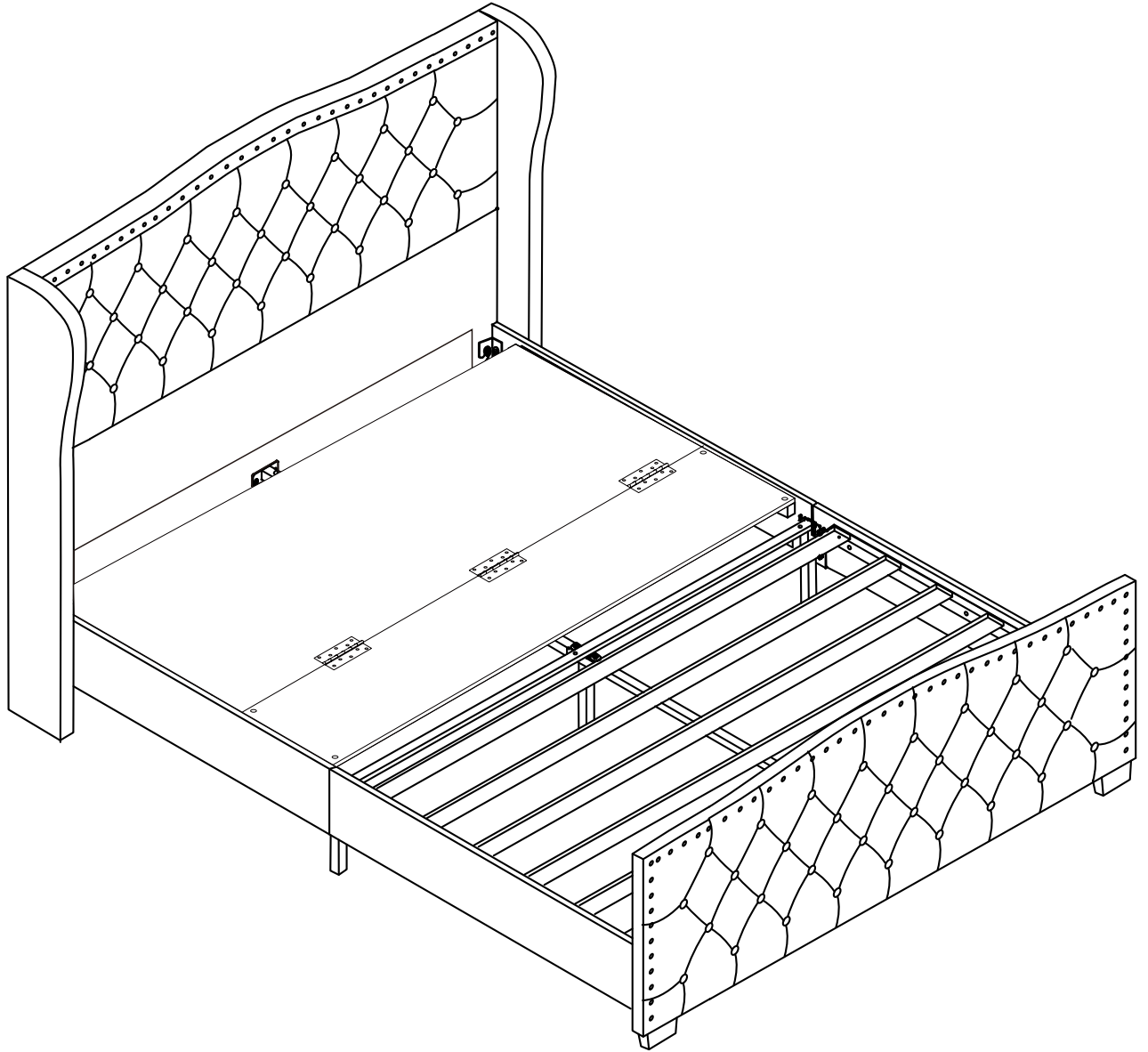


Assembly Instruction

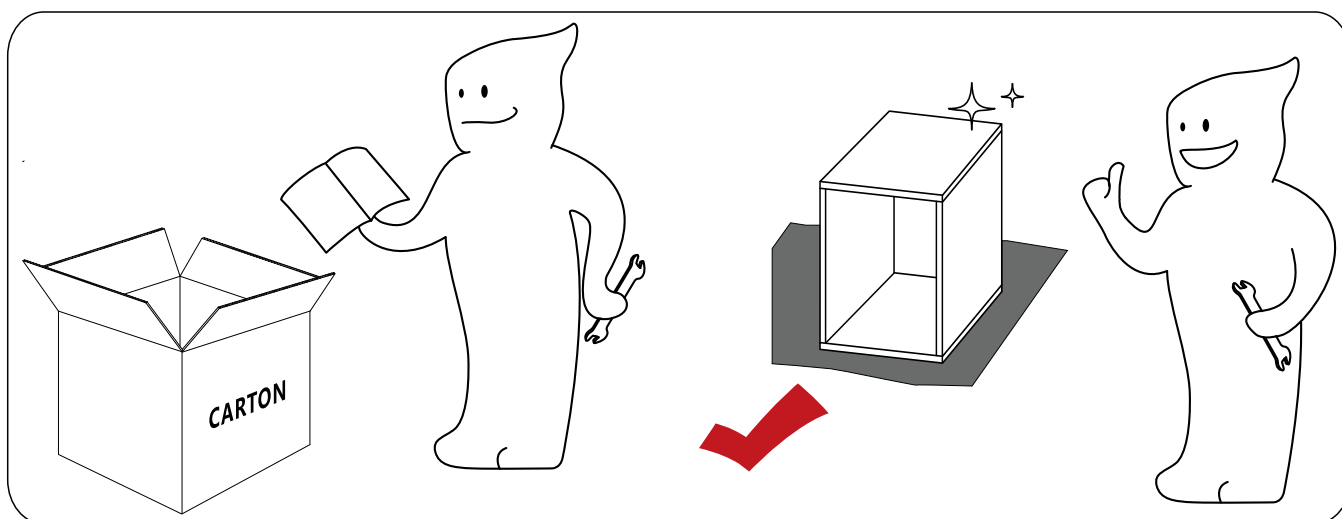
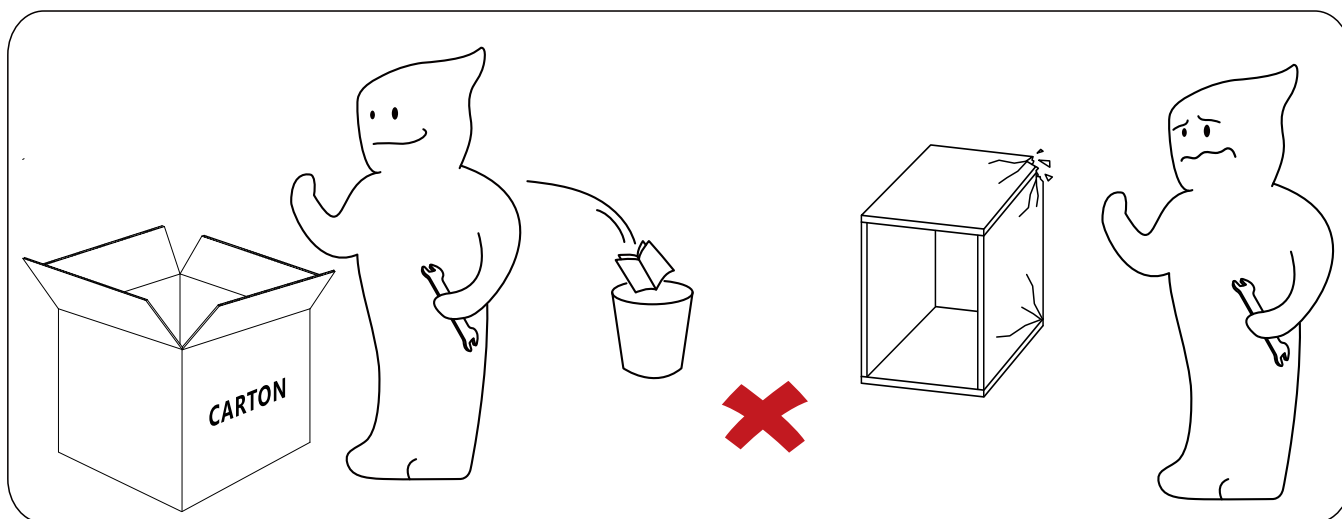


Please check that you have all the parts listed before you start assembling,if you do find that something is missing,do not continue assembly,please contact us immediately.

NOTE:Please do not completely tighten all the hardware until the entire assembly is complete!

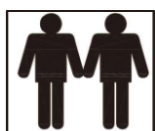
! IMPORTANT

Please follow the instruction manuals and use a pad to protect the product during your assembly.

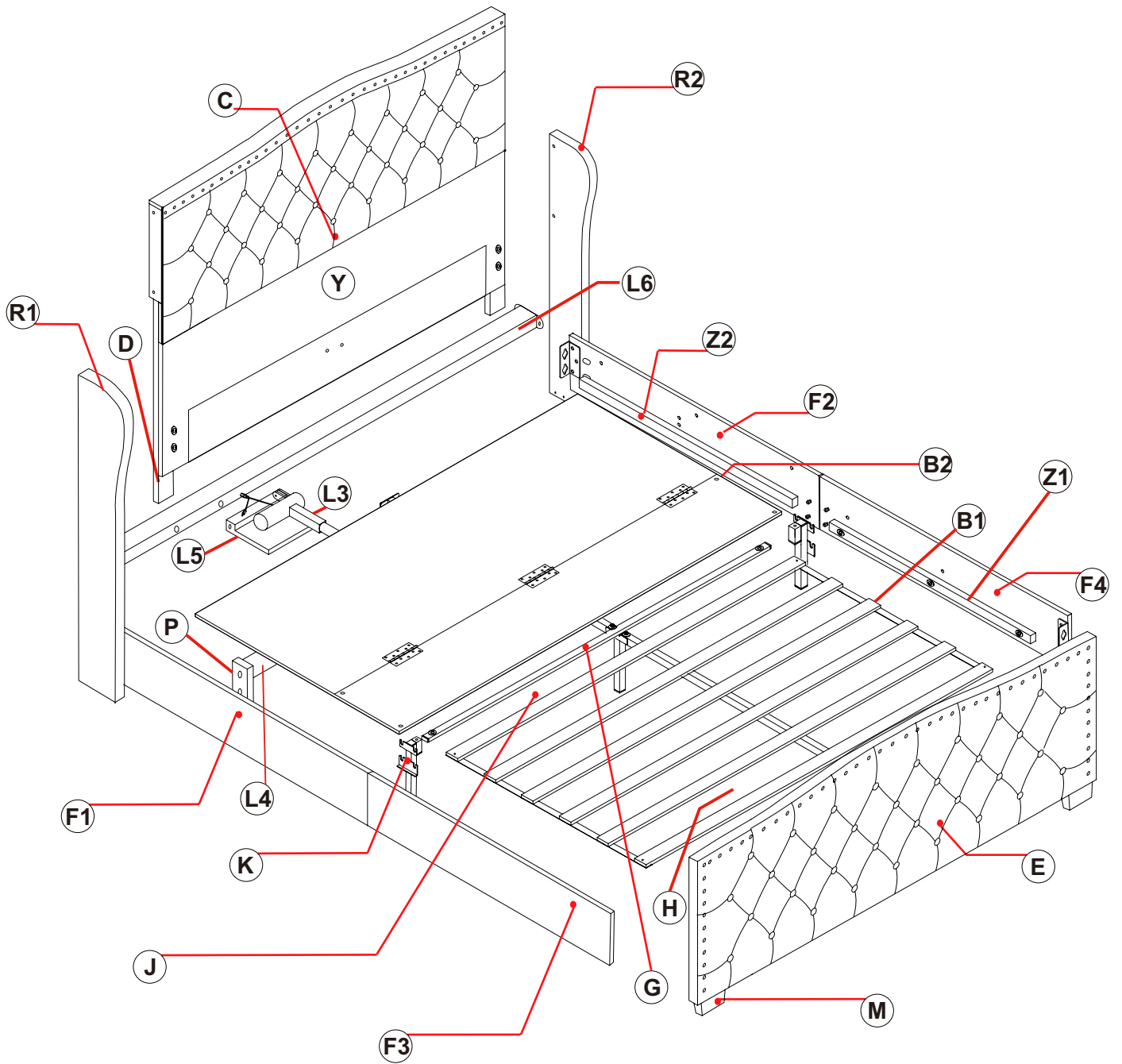


Note:

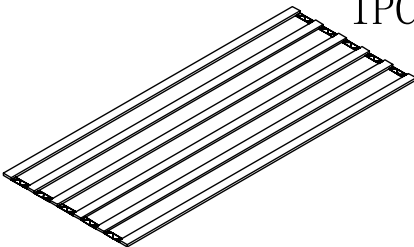
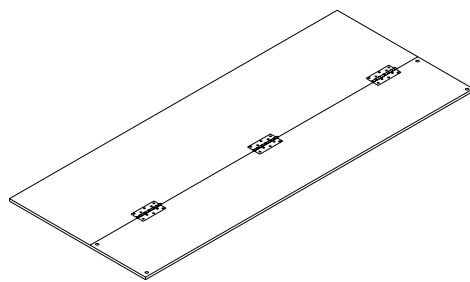
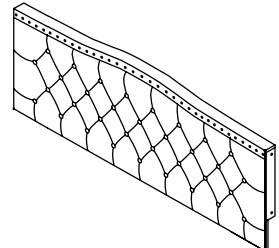

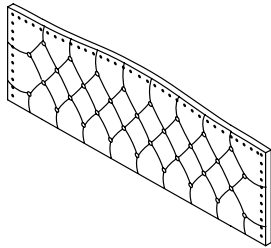
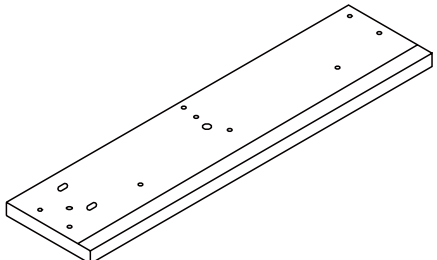
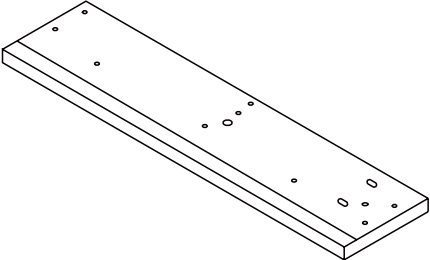
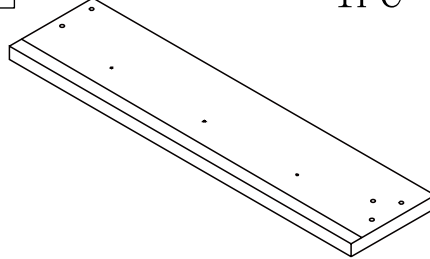
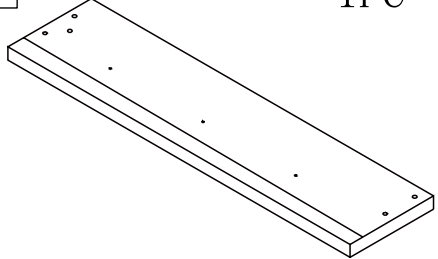
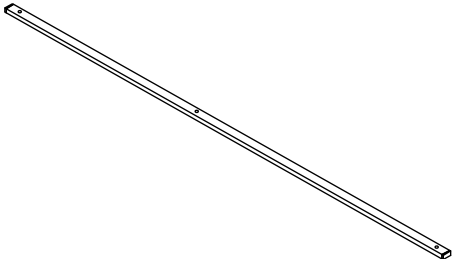
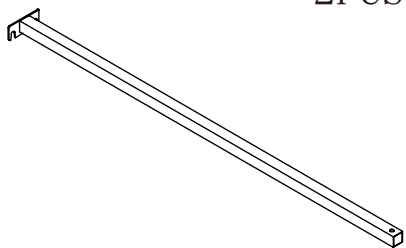
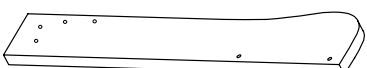

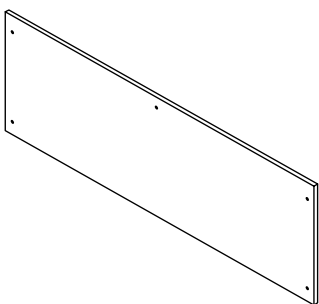
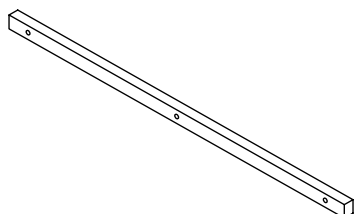
1. Should be assembled on flat ground to keep balance.
2. Before completing the installation, do not tighten the screws.



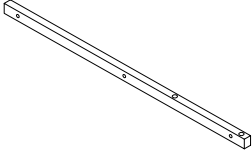
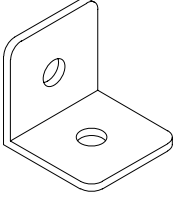
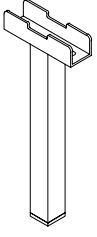
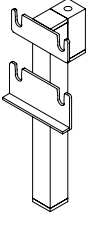
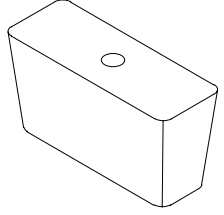
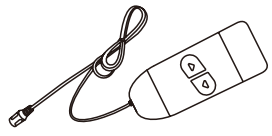
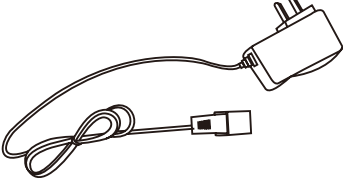
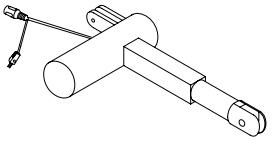
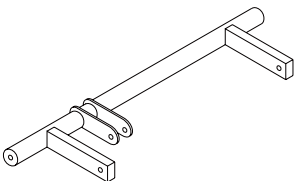
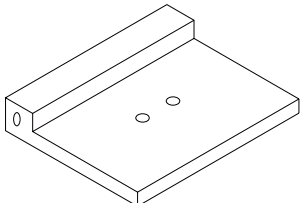
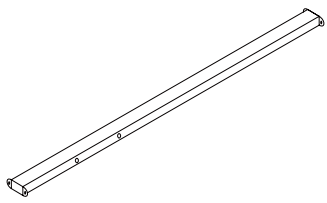
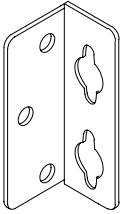
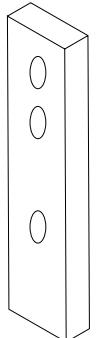
For easier and better assembly, **2** or more adults are required.



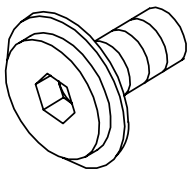
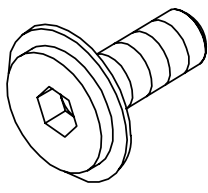
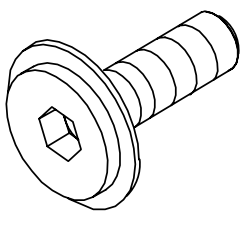
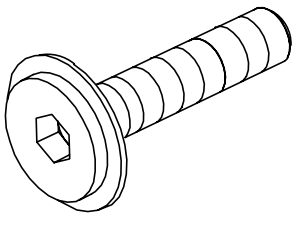
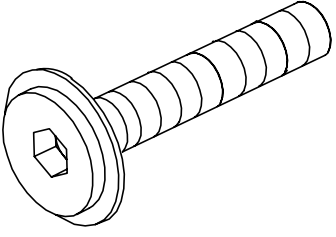
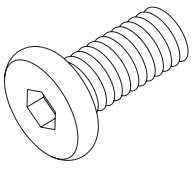

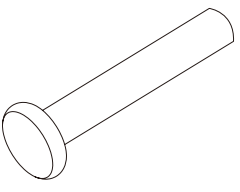
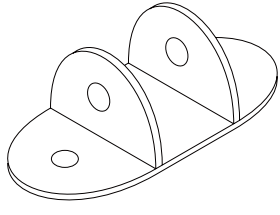
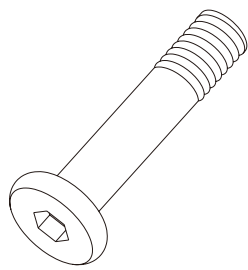
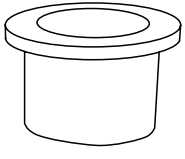
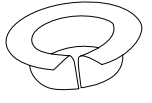

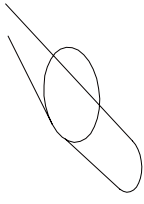
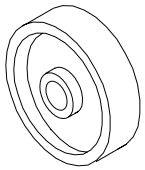


BED FRAME PARTS LIST

B1 1PC  <p style="text-align: center;">Slat</p>	B2 1PC  <p style="text-align: center;">Front support panel</p>	C 1PC  <p style="text-align: center;">Top headboard</p>
D 2PCS  	E 1PC  <p style="text-align: center;">Footboard</p>	F1 1PC  <p style="text-align: center;">Left side rail</p>
F2 1PC  <p style="text-align: center;">Right side rail</p>	F3 1PC  <p style="text-align: center;">Left side rail</p>	F4 1PC  <p style="text-align: center;">Right side rail</p>
G 1PC  <p style="text-align: center;">Cross bar</p>	H 2PCS  <p style="text-align: center;">Middle support bar</p>	R1 1PC  <p style="text-align: center;">Left wing</p>
R2 1PC  <p style="text-align: center;">Right wing</p>	Y 1PC  <p style="text-align: center;">Bottom headboard</p>	Z1 2PCS  <p style="text-align: center;">side bar</p>

FITTING PART LIST

Z2	2PCS	I	3PCS	J	1PC	K	2PCS
							
side bar		Connector		Support leg		side leg	
M	2PCS	L1	1PC	L2	1PC	L3	1PC
							
Foot		Controllers		Power cable		Gas-lifter	
L4	1PC	L5	1PC	L6	1PC	N	4PCS
							
Drive rod		Mounting base		Lower Headboard bar		Connector	
P	2PCS						
							
Bed side support leg							

FITTING PART LIST

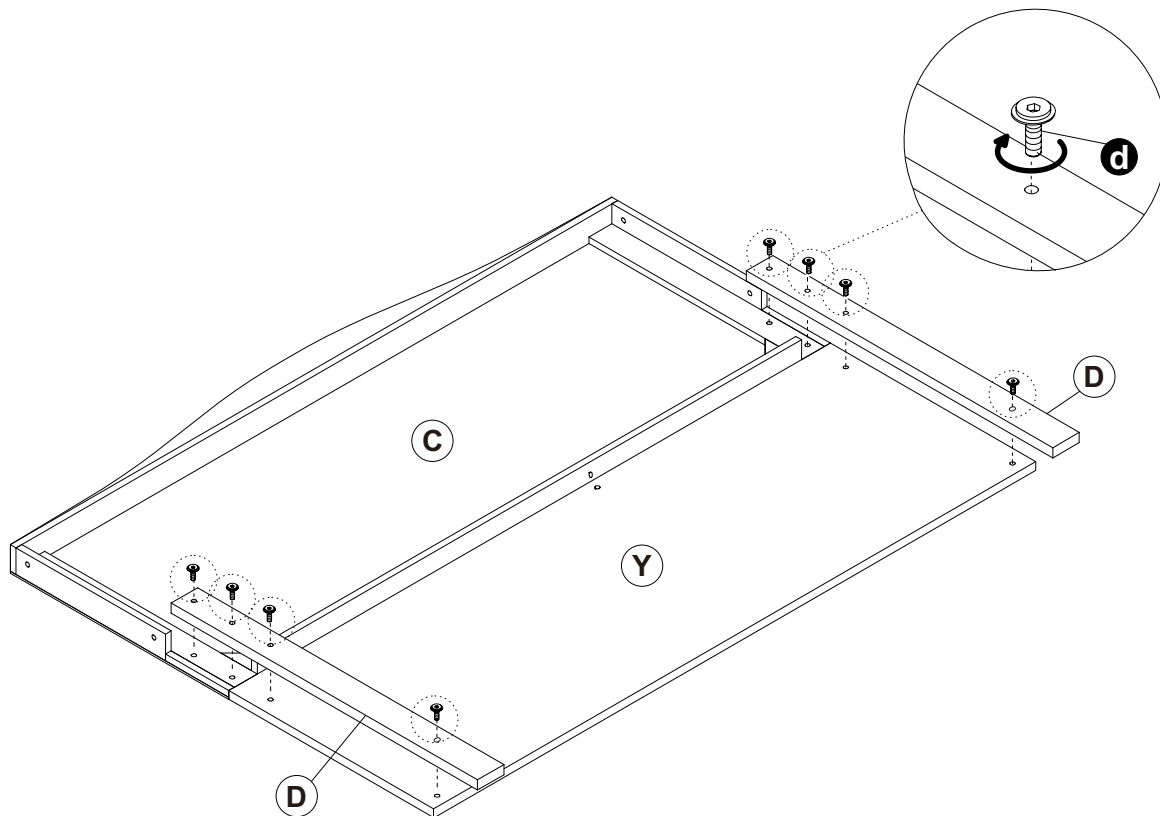
a	26PCS	b	8PCS	c	21PCS	d	16PCS
							
M8*18		M8*25		M8*35		M8*45	
e	2PCS	f	10PCS	g	4PCS	h	4PCS
							
M8*55		M8*18		M8*40			
i	1PC	j	2PCS	k	8PCS	m	4PCS
							
		M10*37					
n	4PCS	o	4PCS	r	2PCS	s	1PC
							
						M6	
t	1PC						
							
M8							

step1

d

M8*45

8PCS

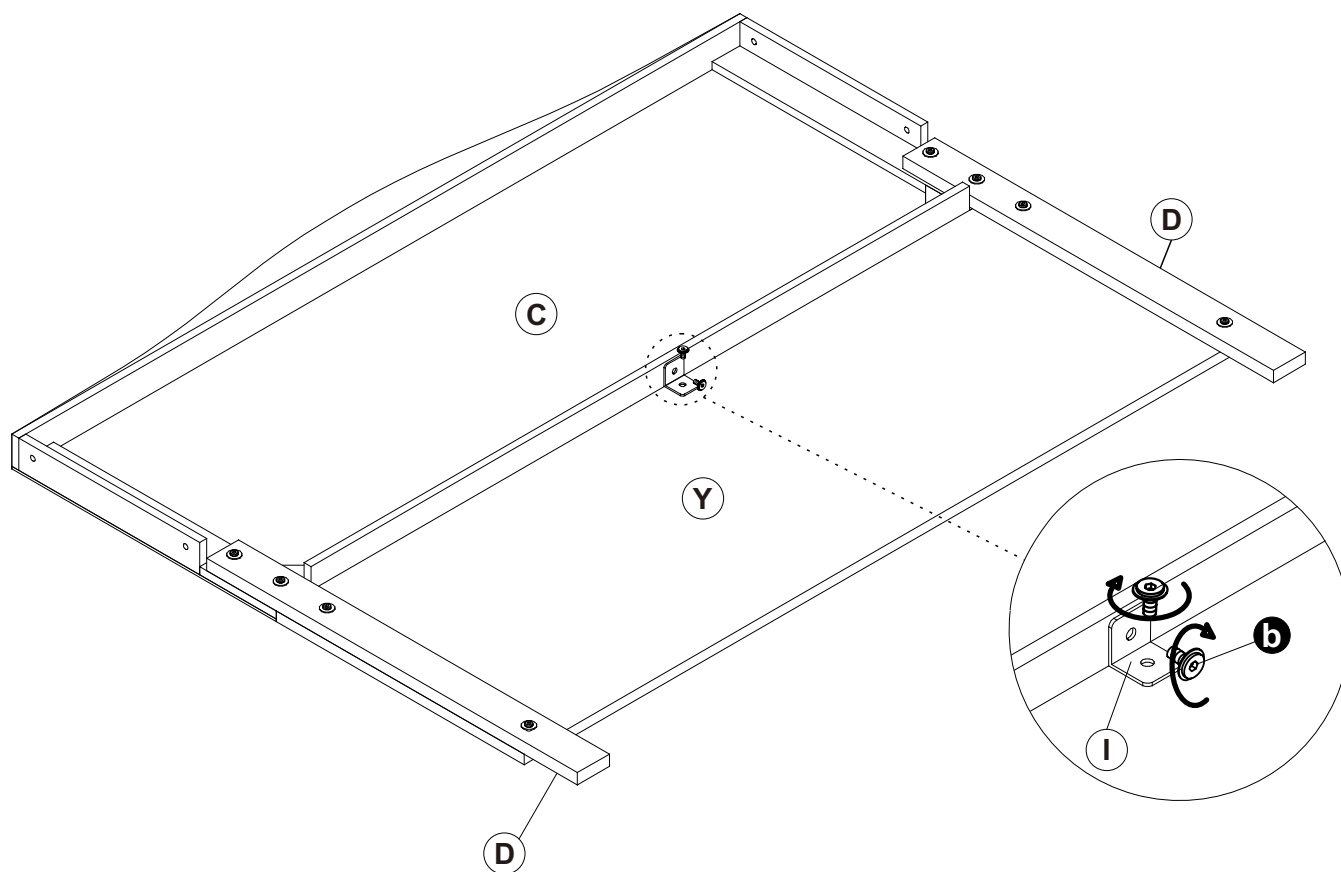


step2

b



M8*25

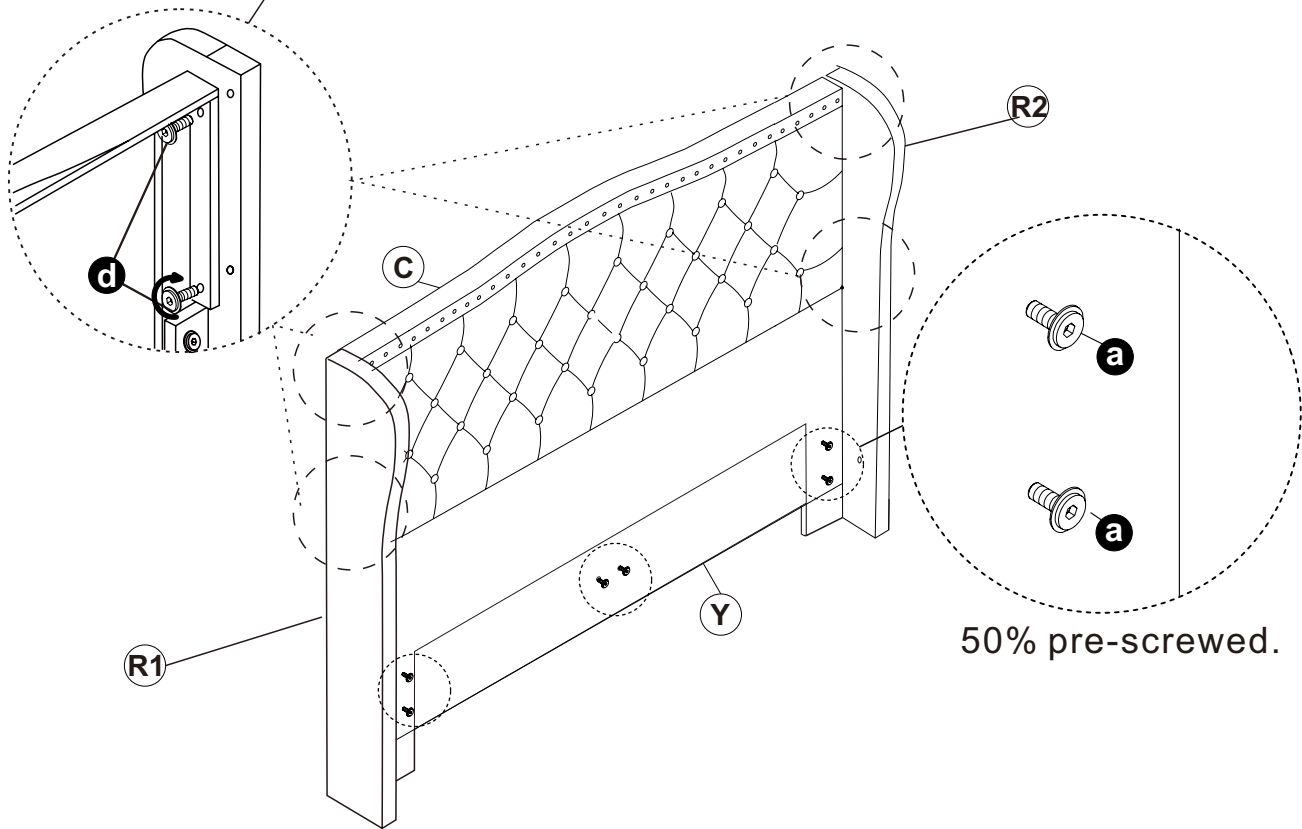
2PCS



step3

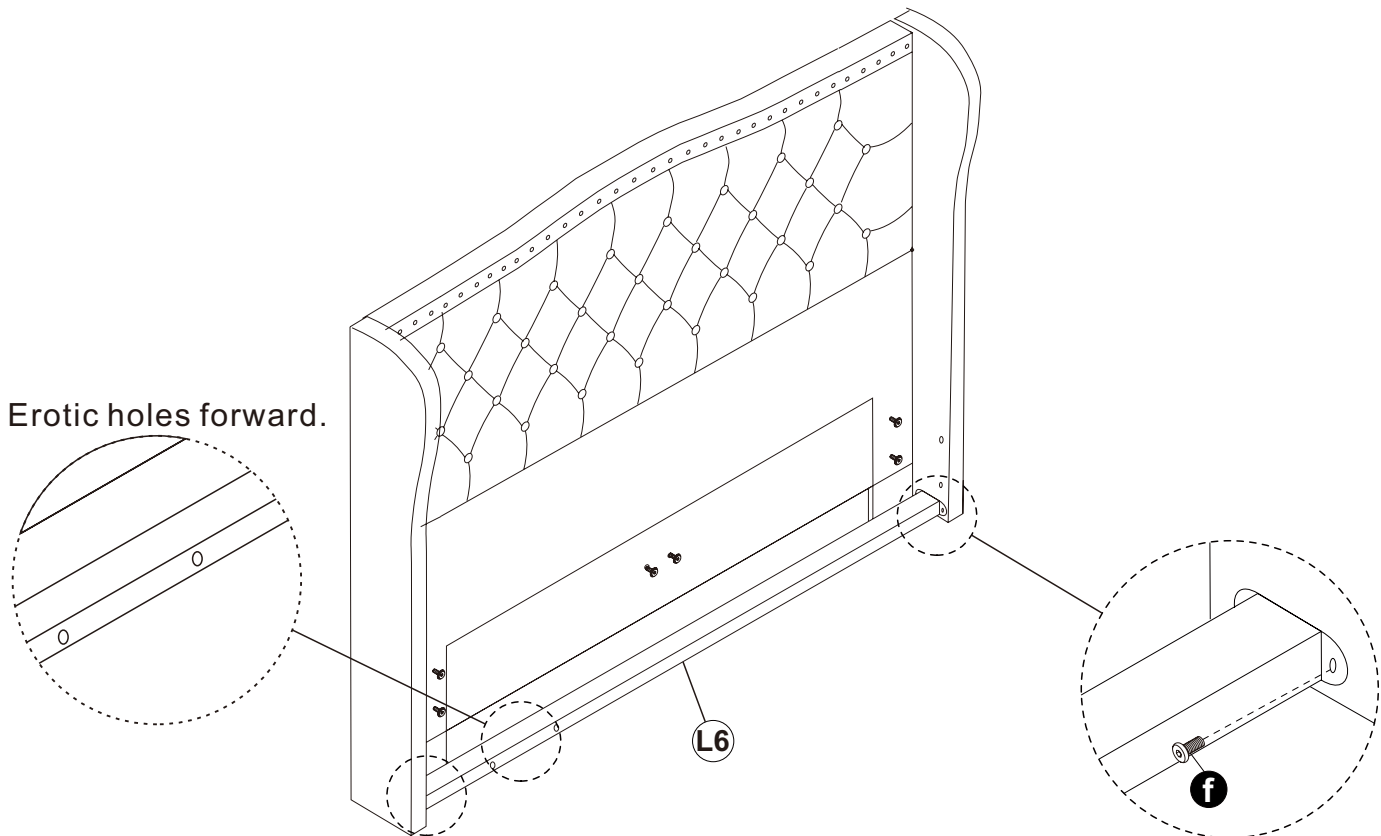
During the assembly, please first half-tighten all the screws into the holes. After all the screws are set, fully tighten them.

a	 M8*18	6PCS
d	 M8*45	4PCS



step4

f	 M8*18	4PCS
---	--	------

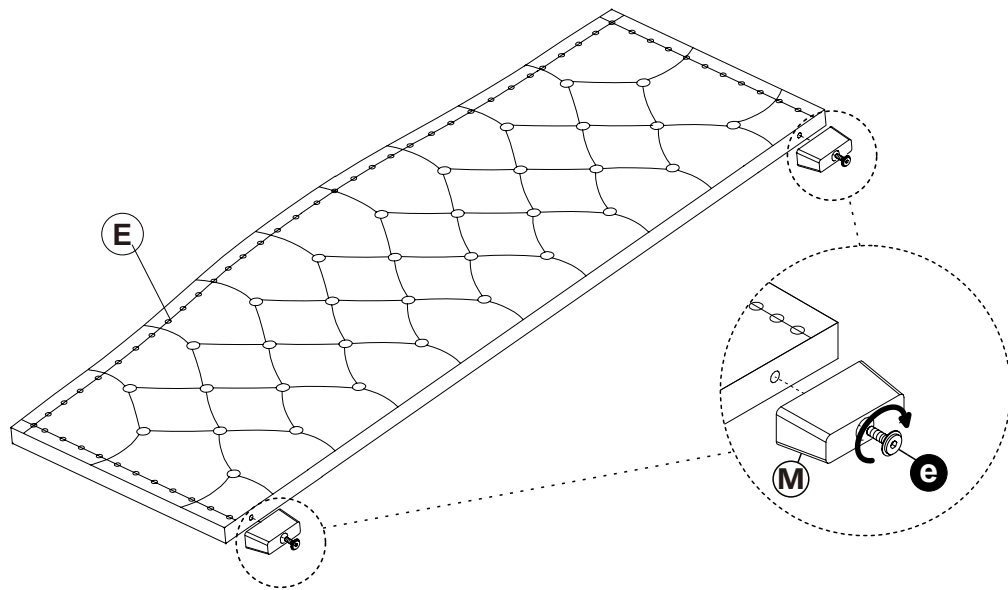


step5

e



2PCS

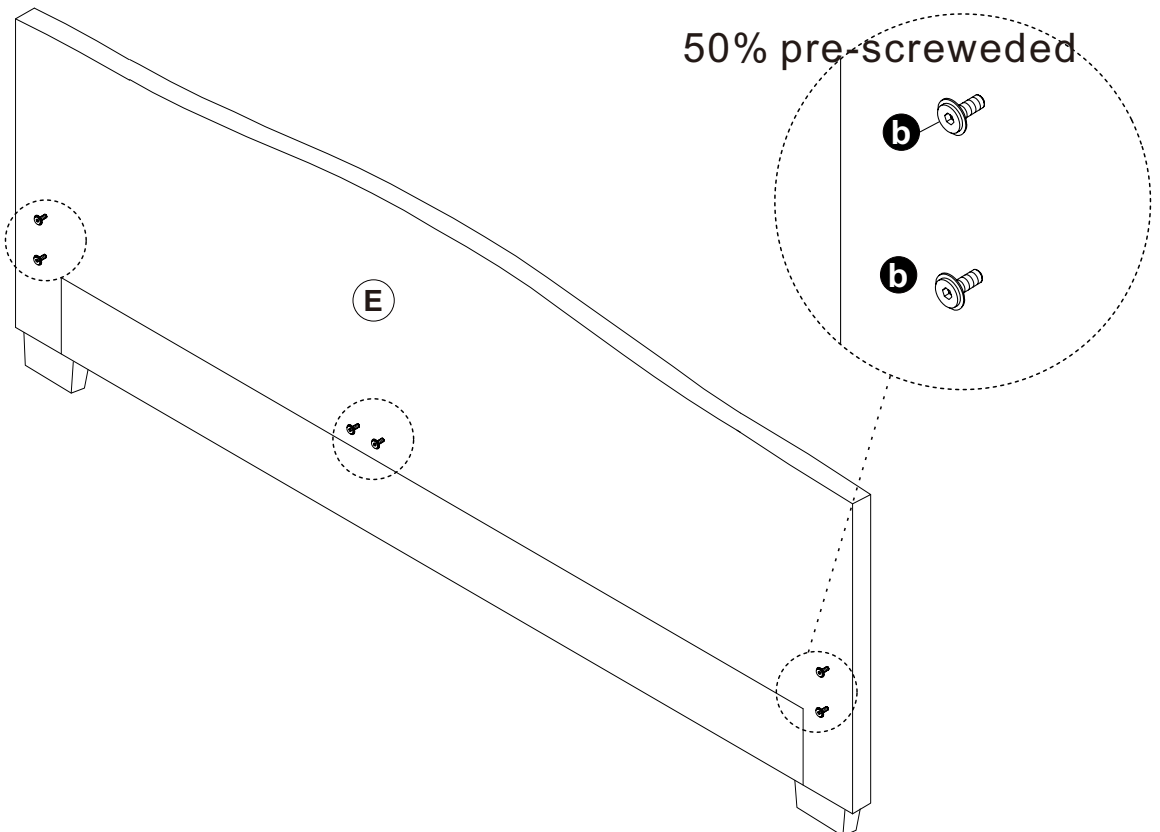


step6

b



6PCS

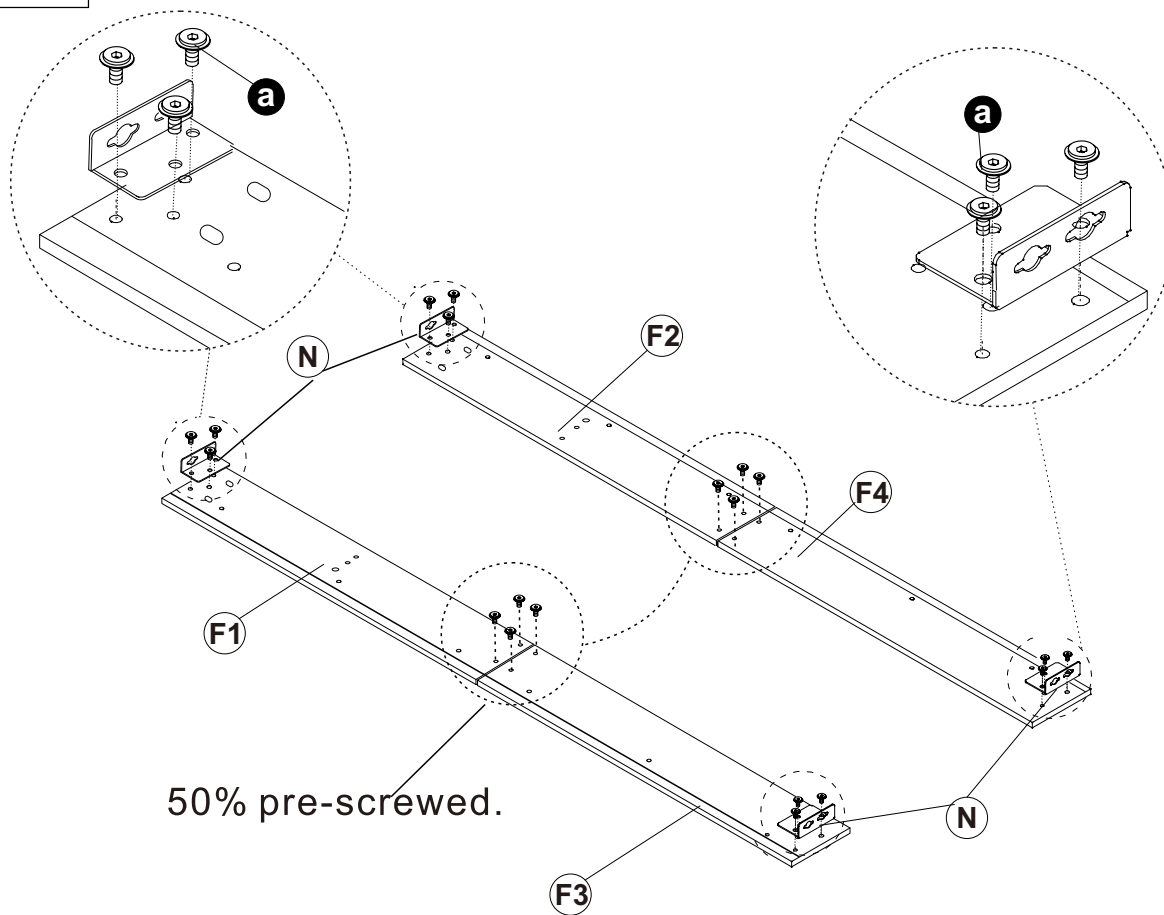


step7

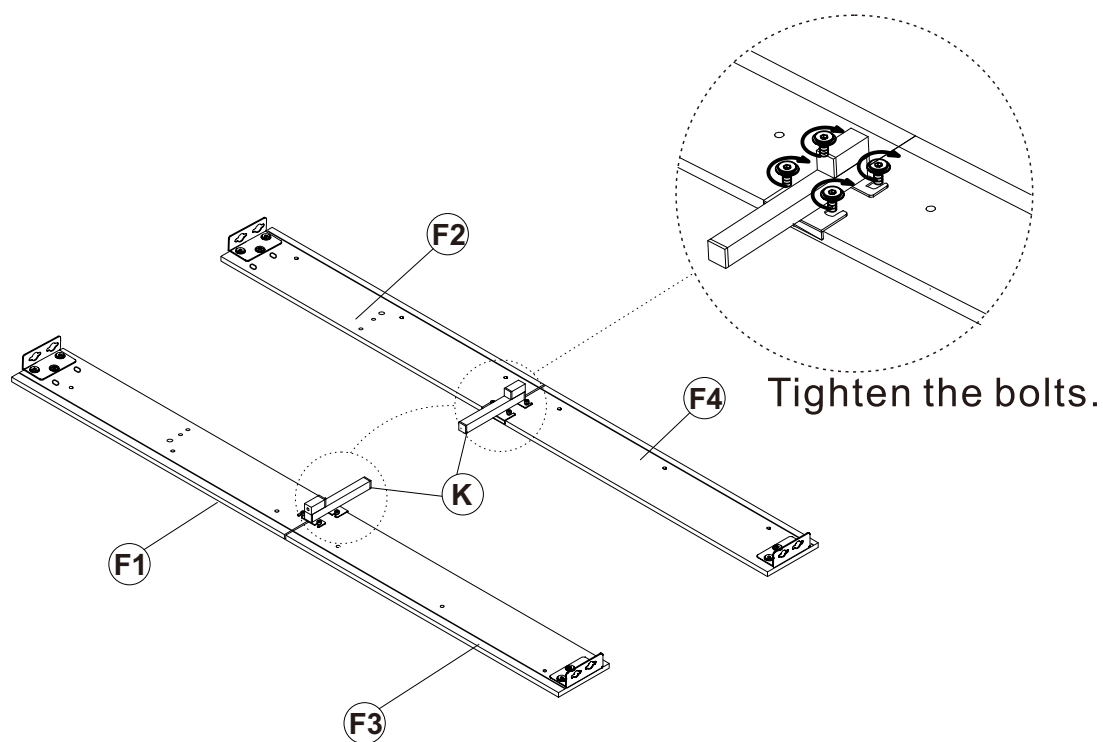
a

M8*18

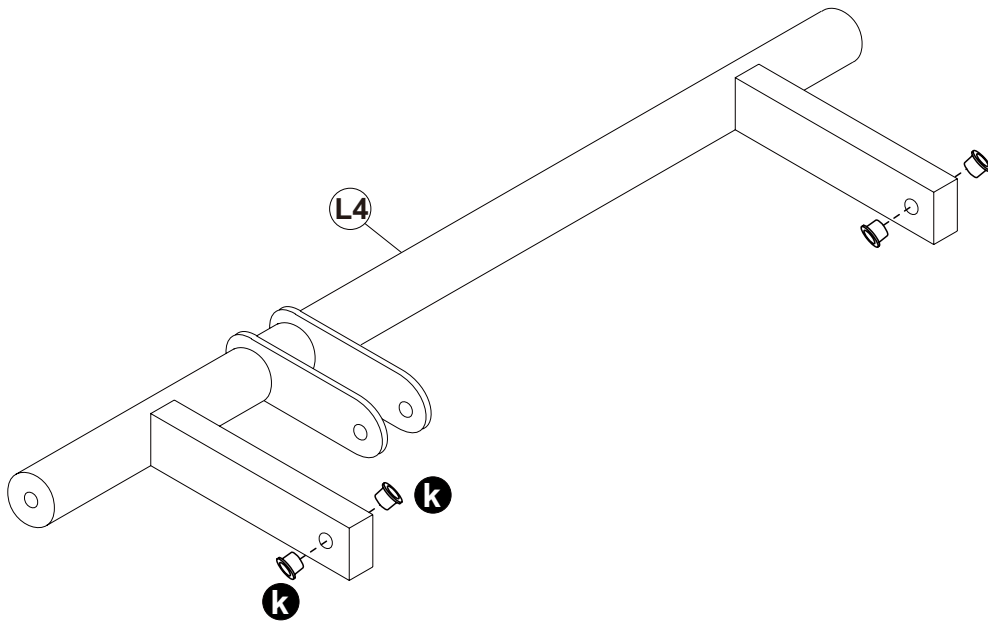
20PCS



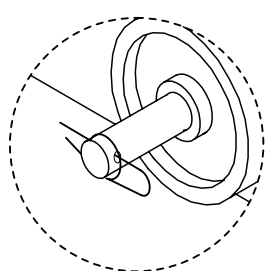
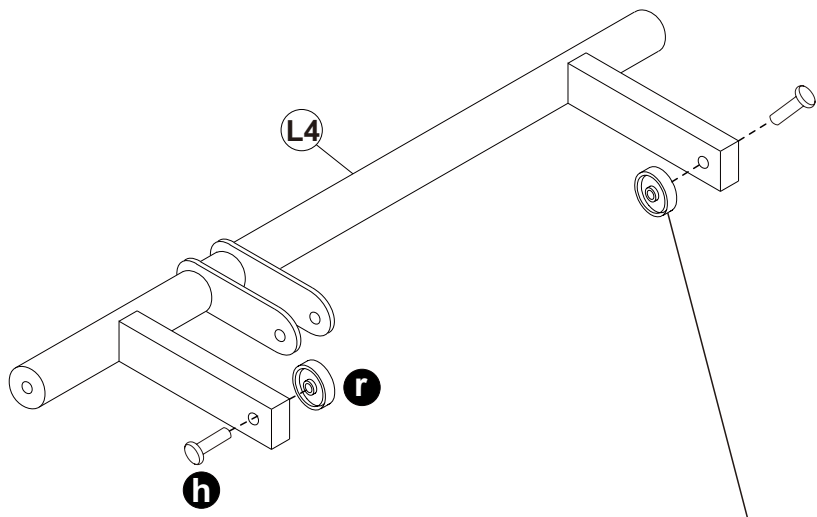
step8



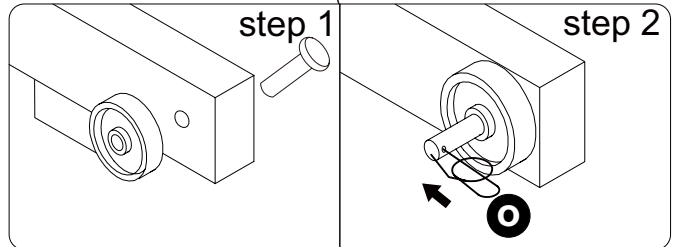
step9



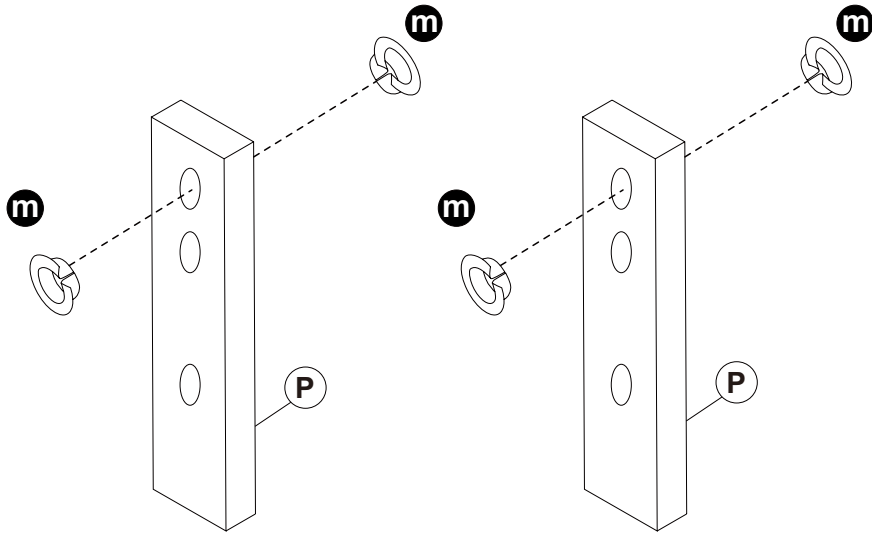
step10




As shown on the graph, shows part S after assembling.

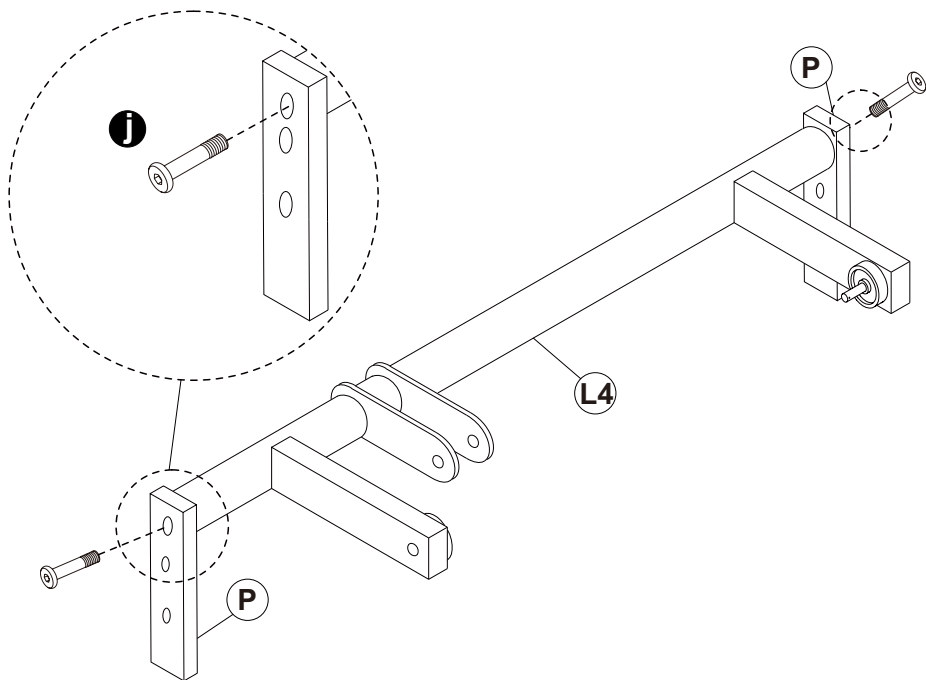


step11



step12

j	 M10*37	2PCS
---	---	------

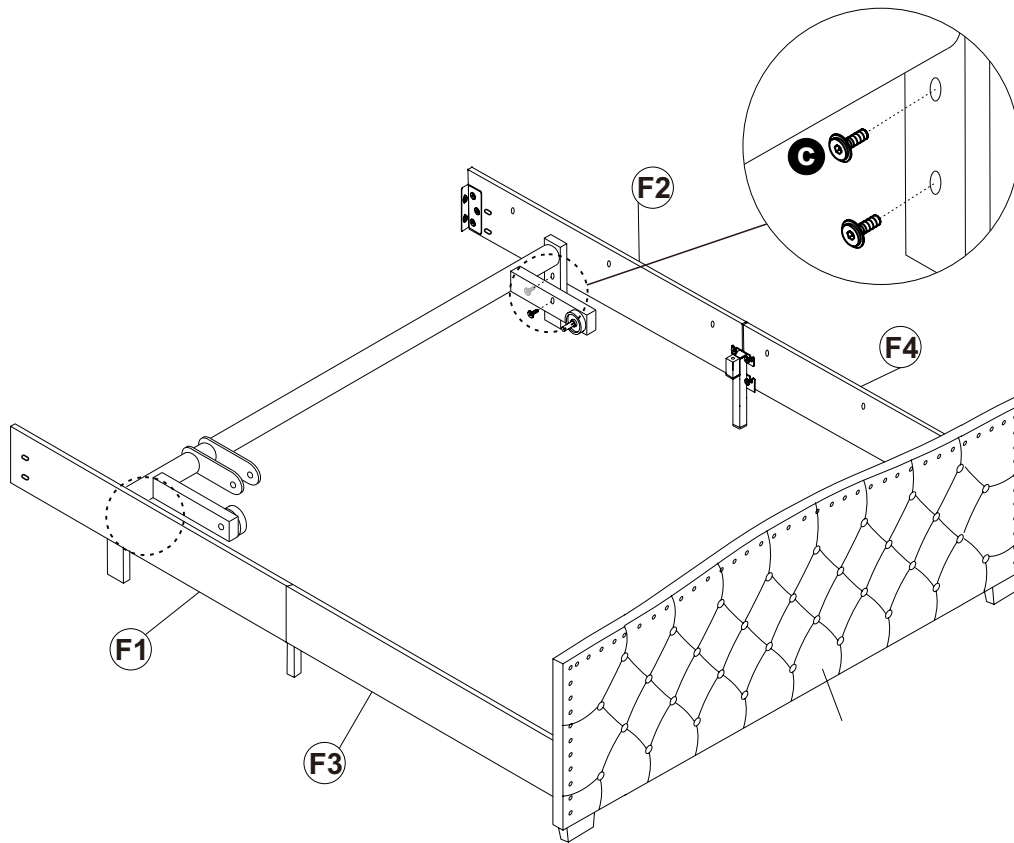


step13

C

M8*35

4PCS



step14

d

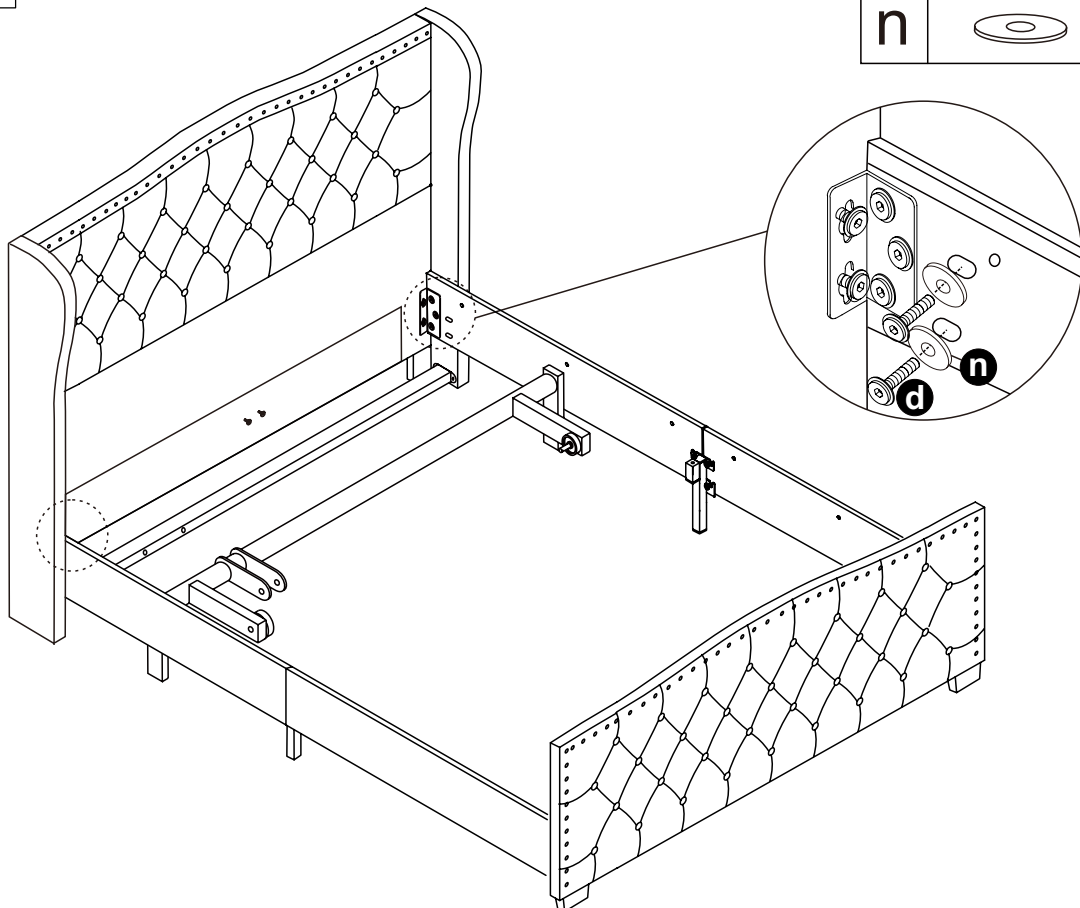
M8*45

4PCS

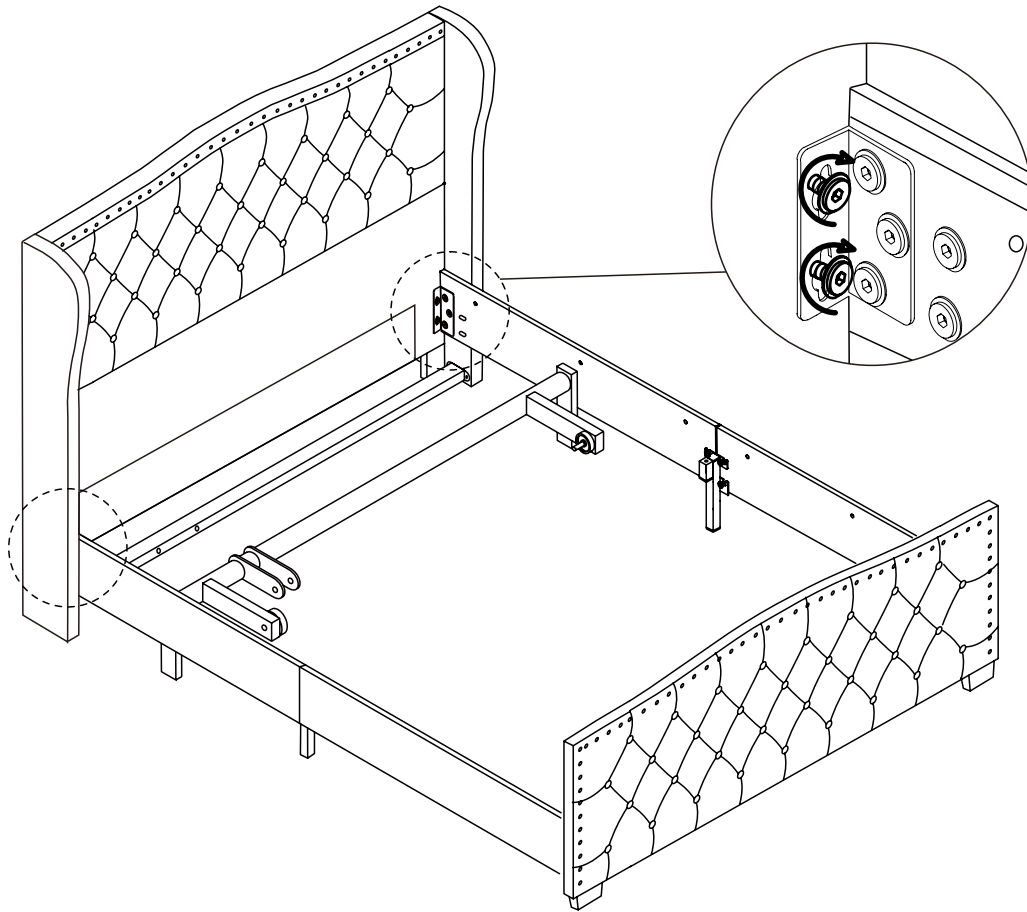
n



4PCS

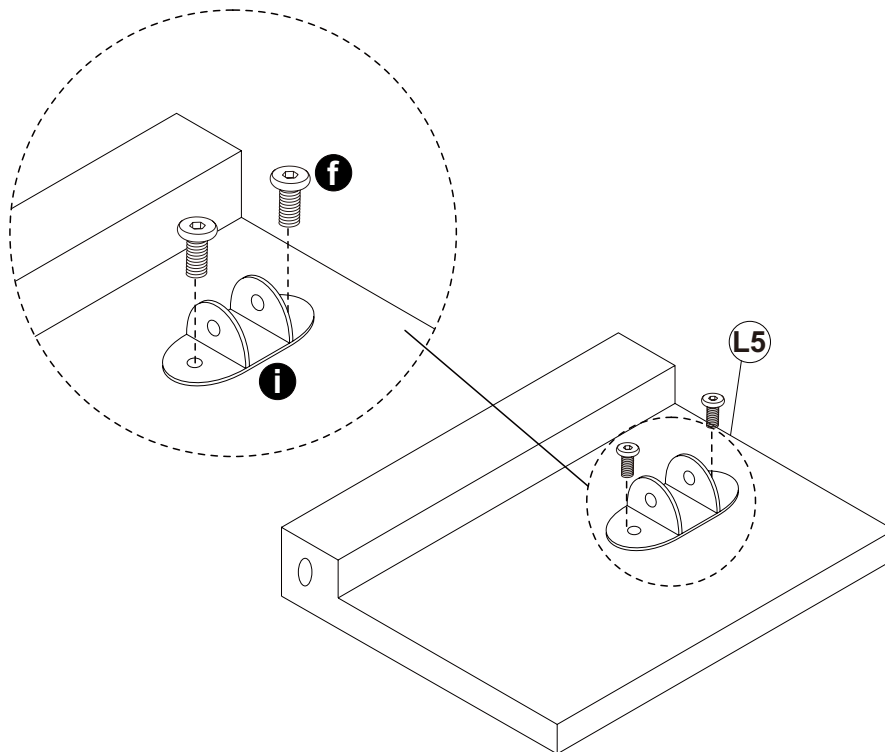


step15



step16

f	 M8*18	2PCS
----------	--	------

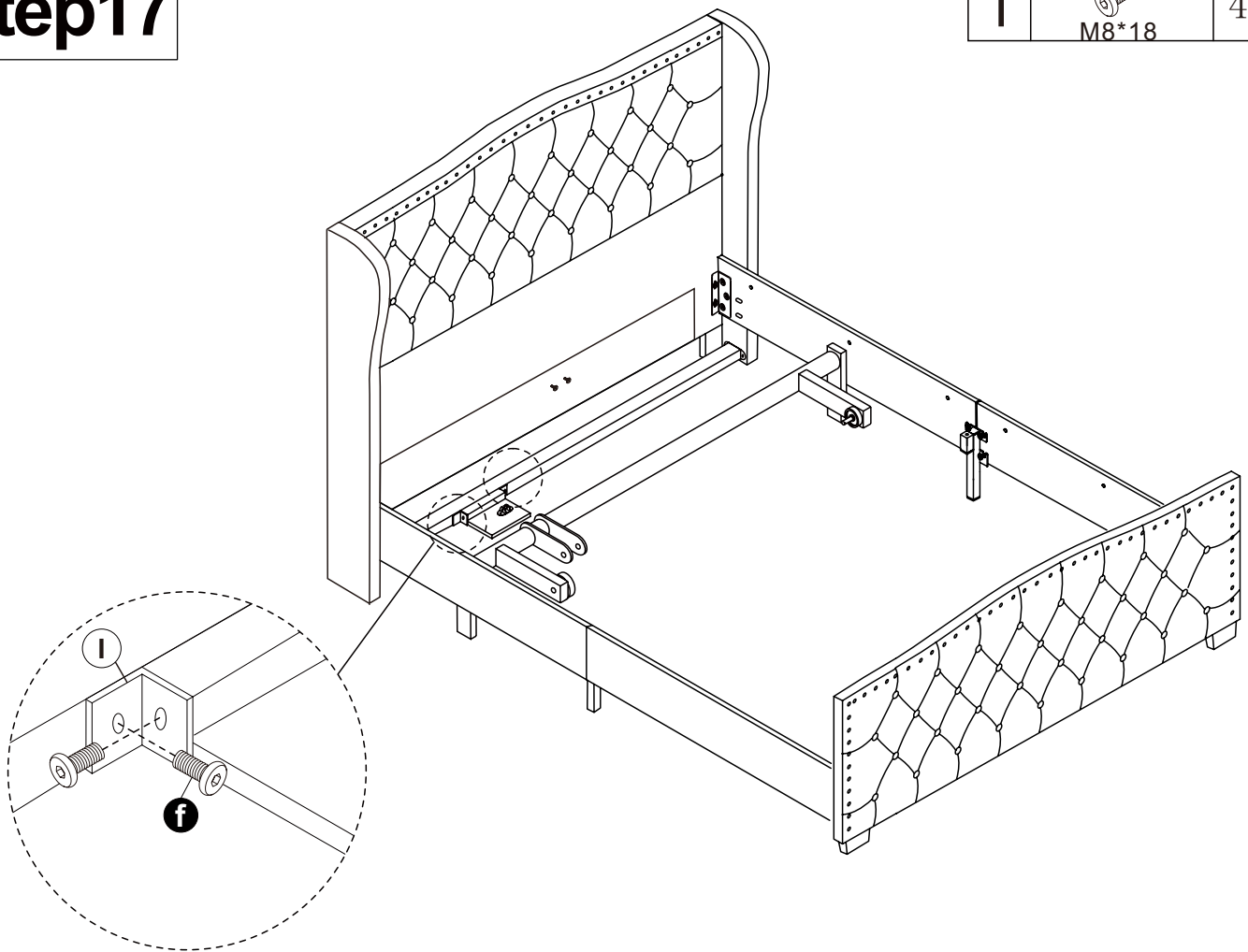


step17

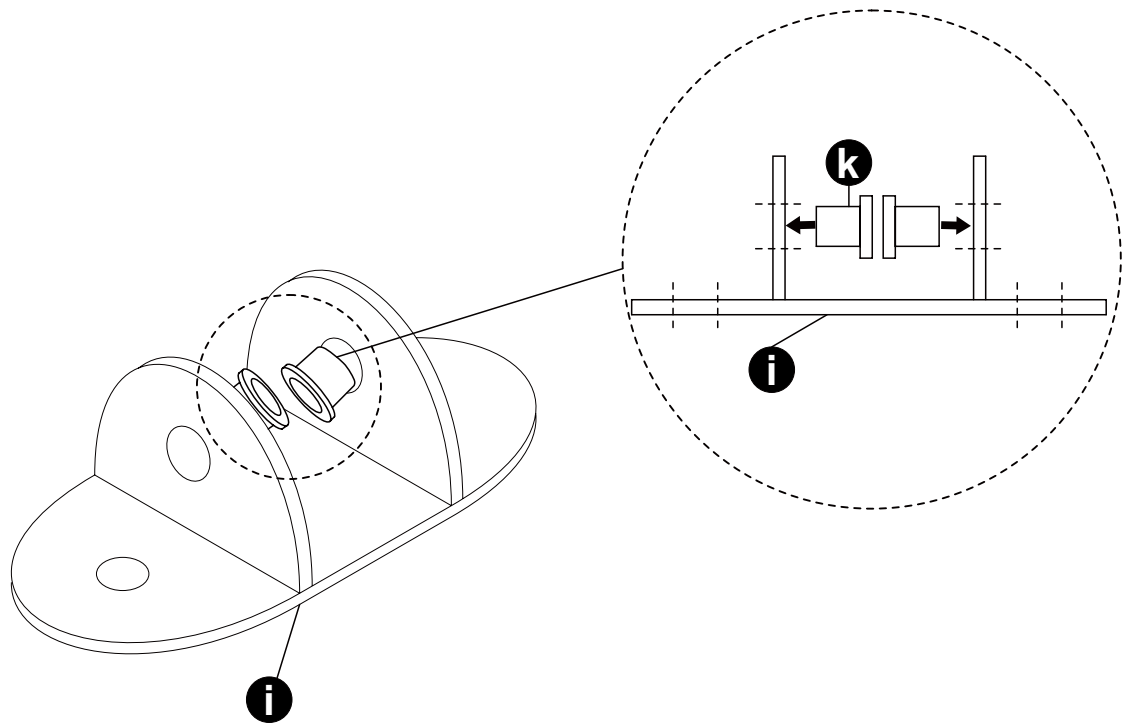
f



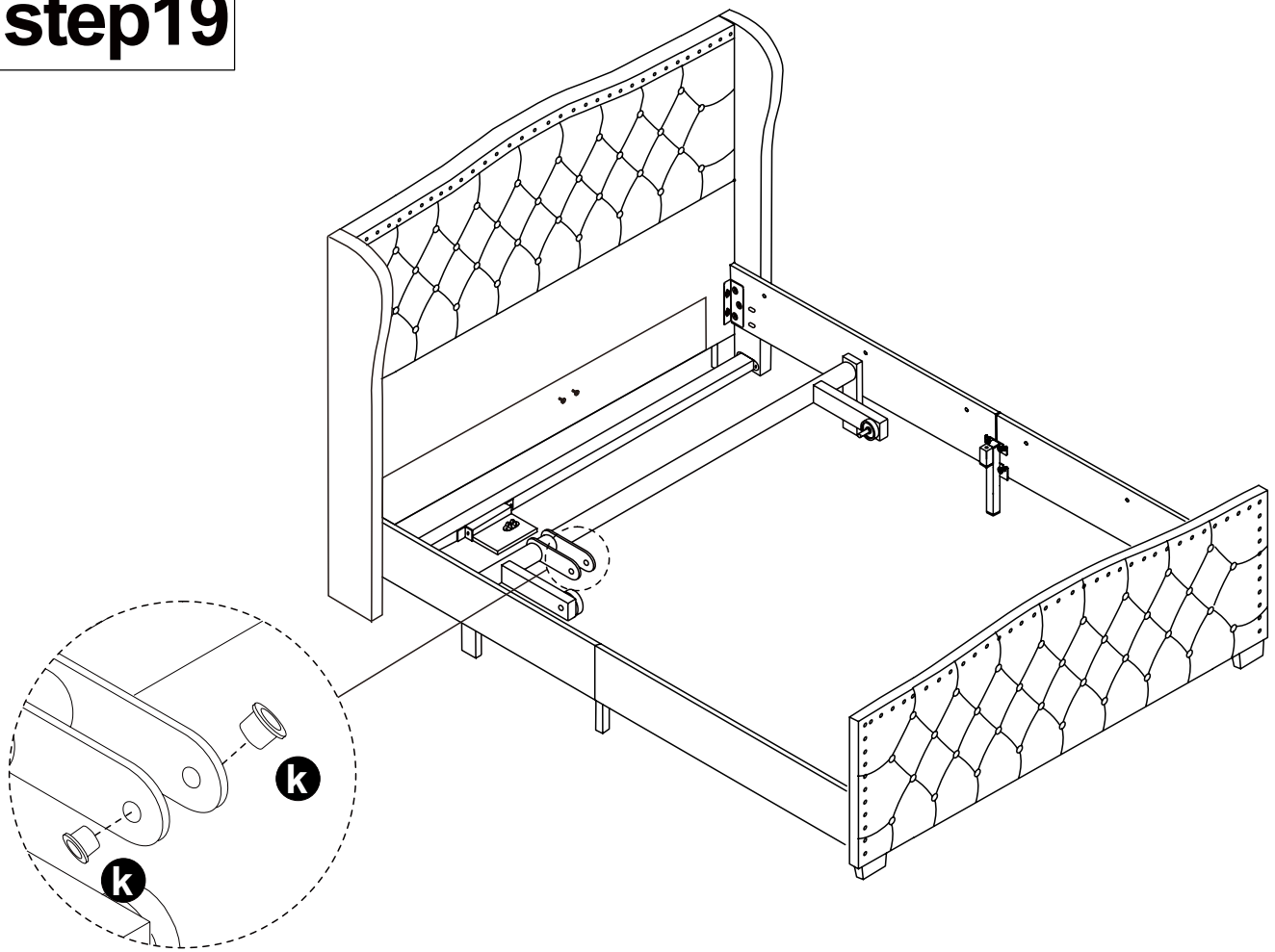
4PCS



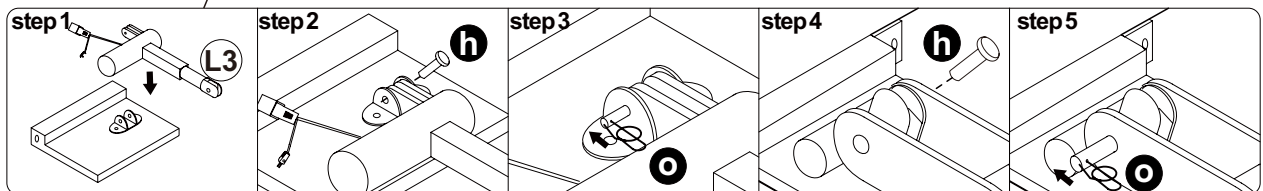
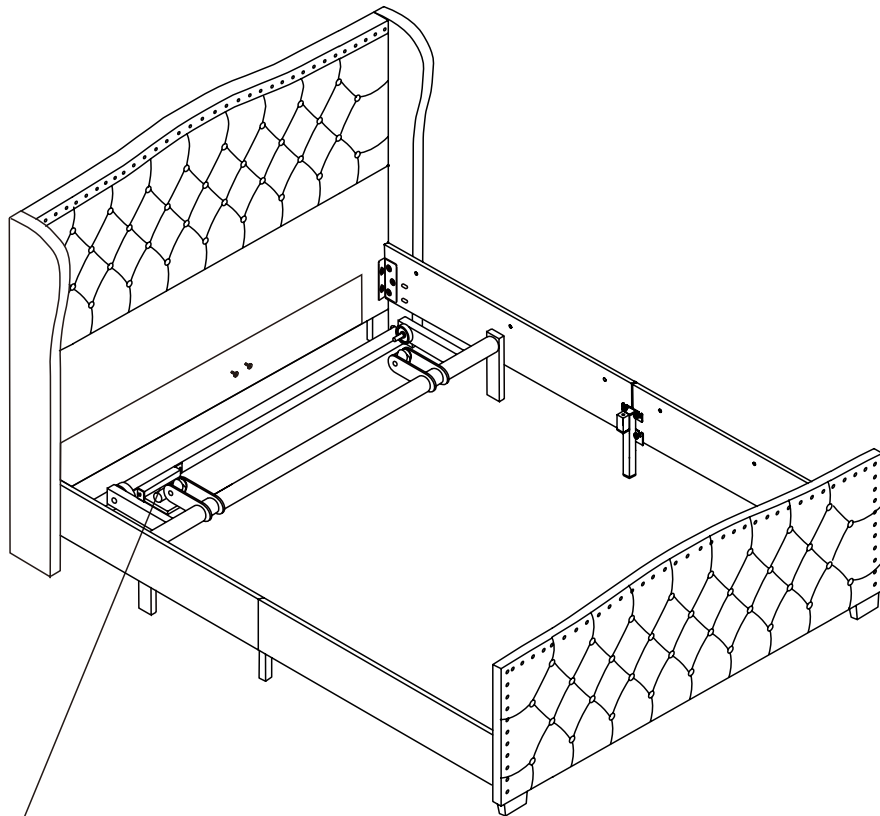
step18



step19



step20

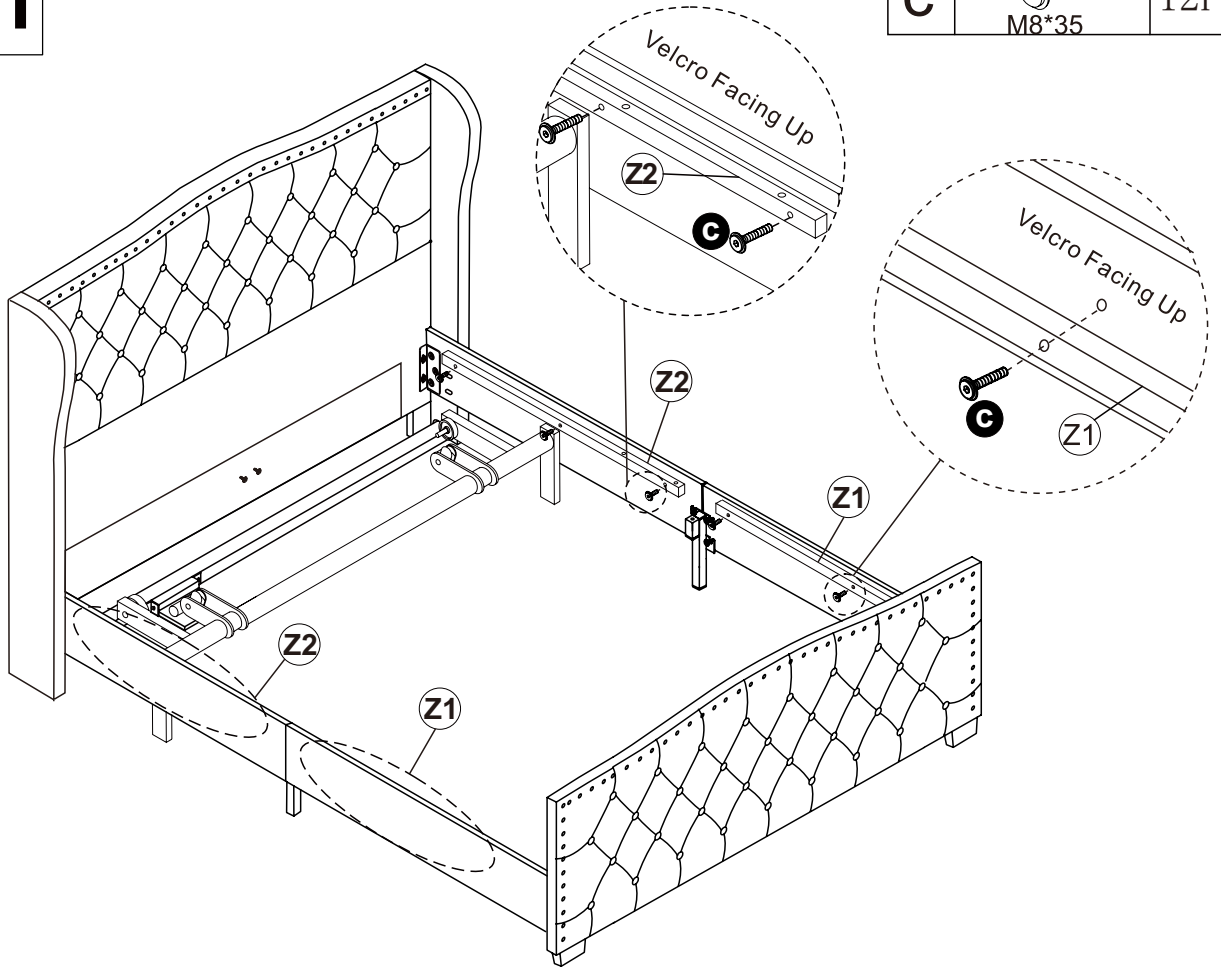


step21

C



12PCS

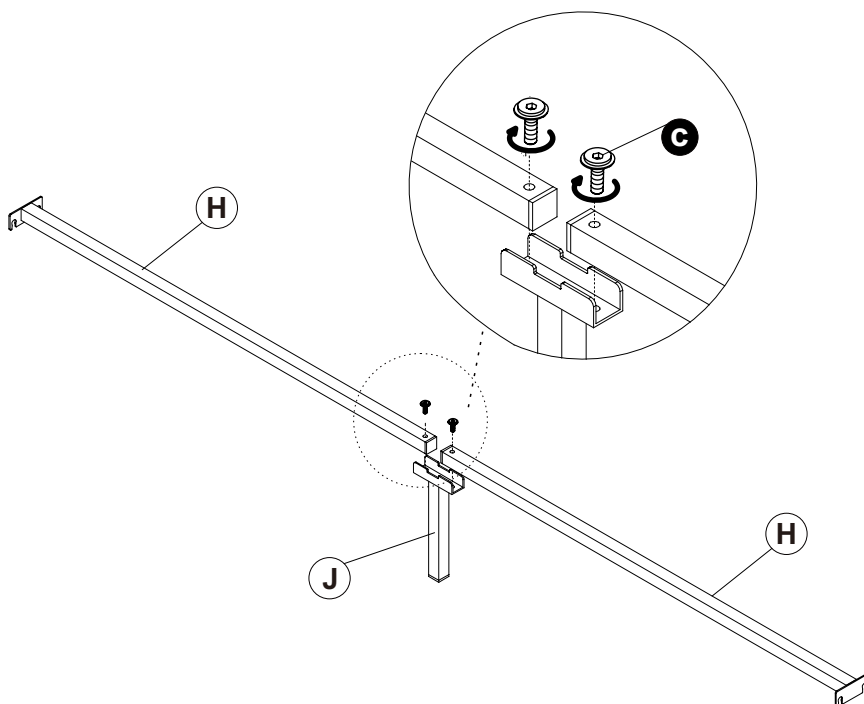


step22

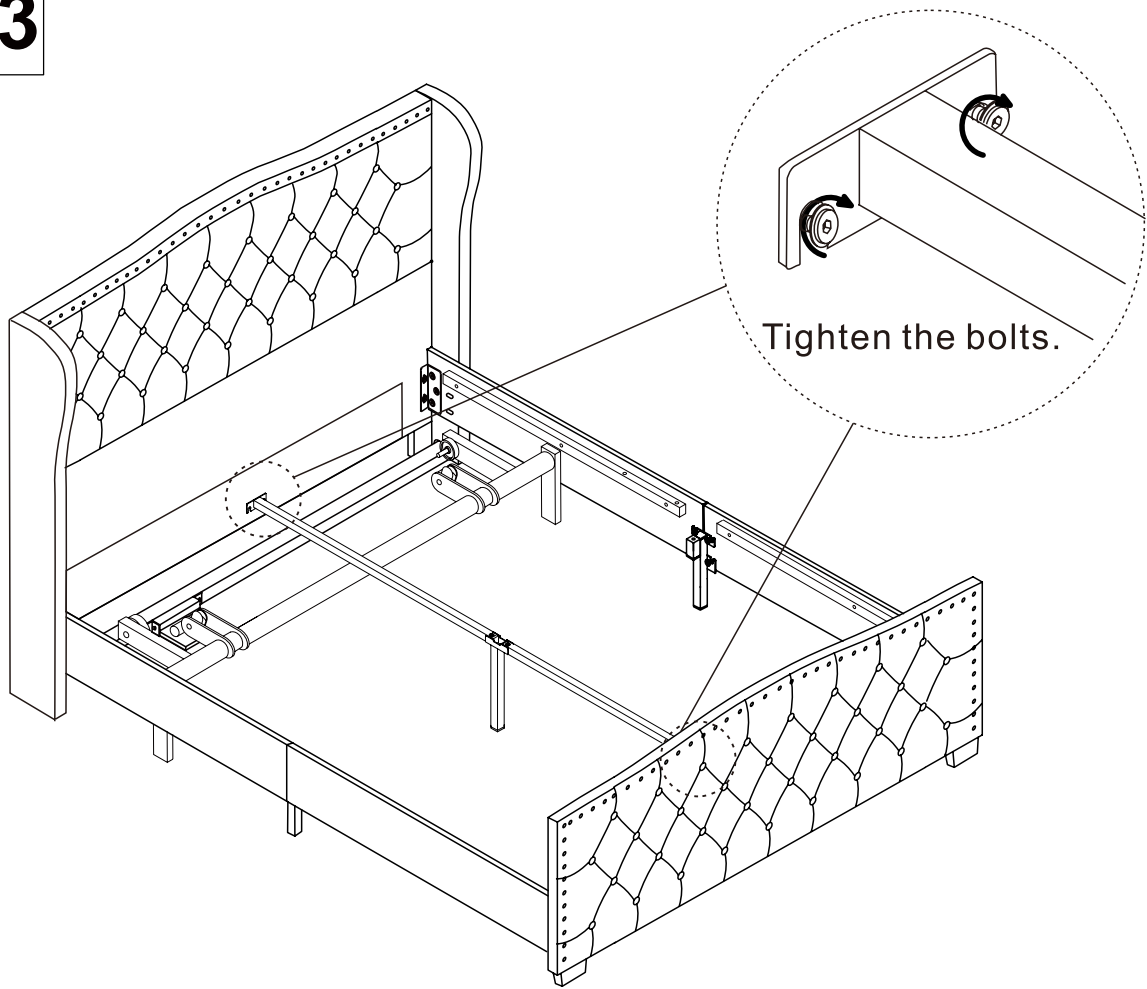
C



2PCS

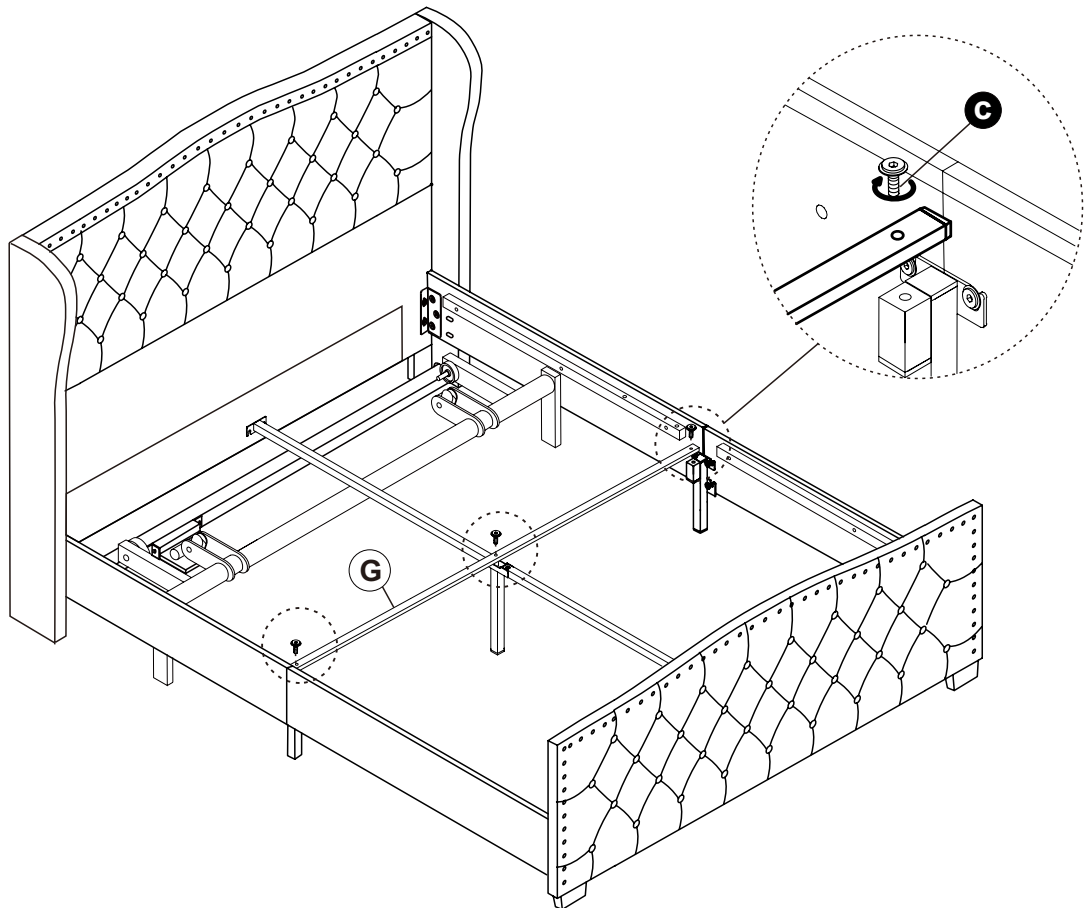


step23

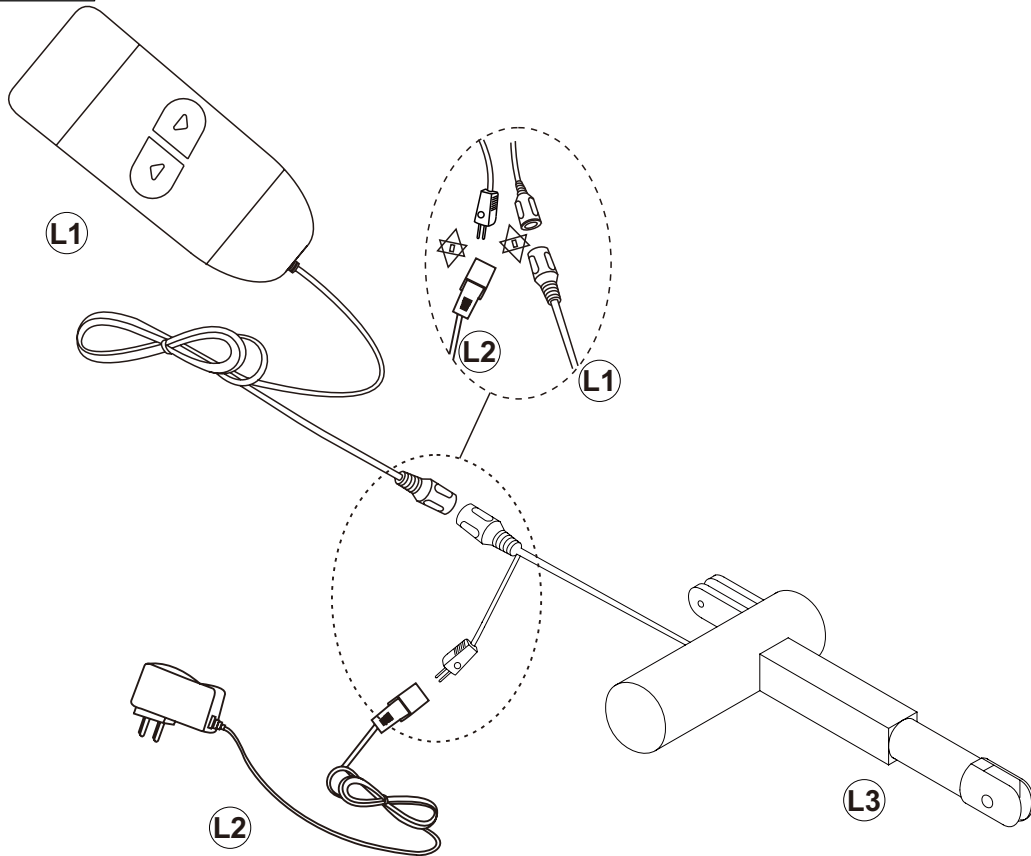


step24

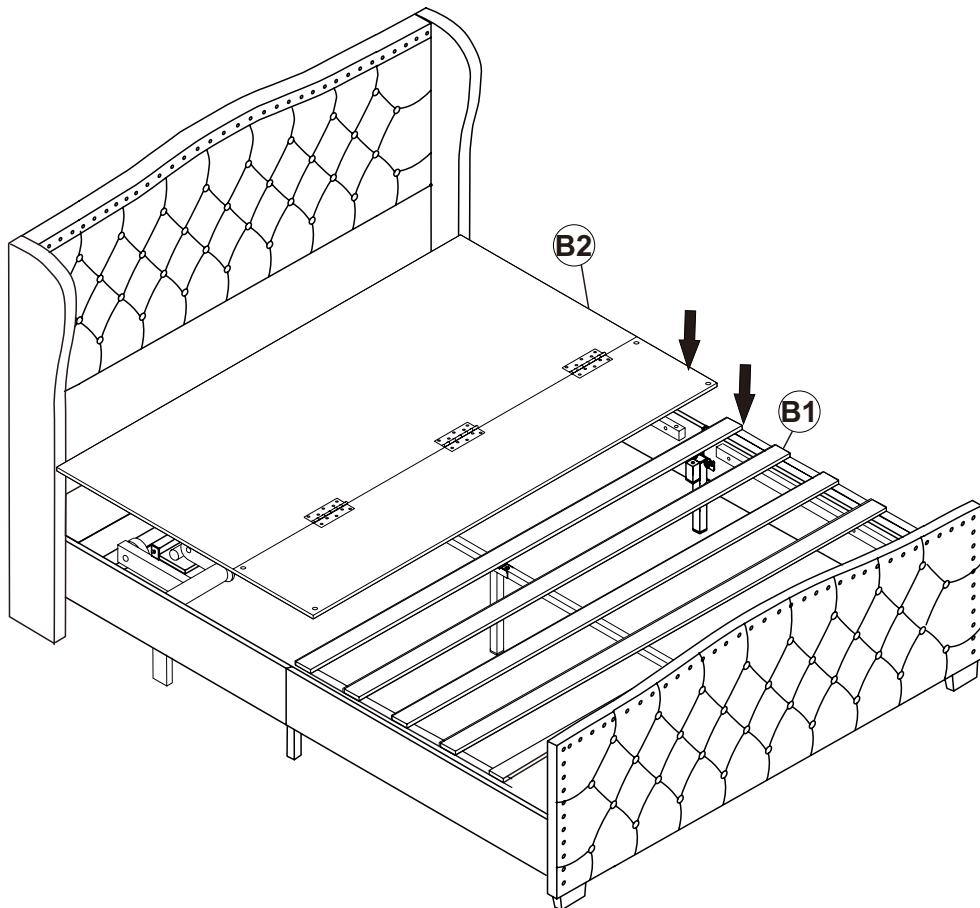
C	 M8*35	3PCS
----------	--	------



step25



step26

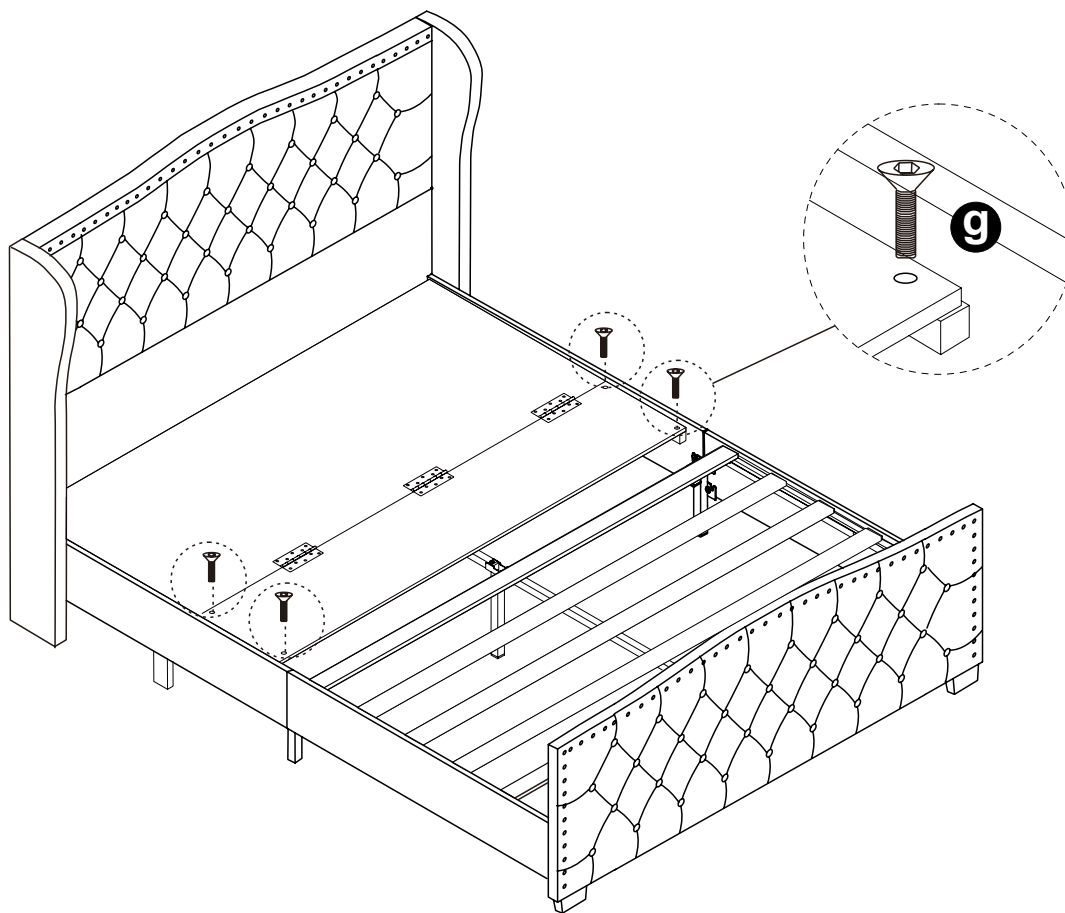


step27

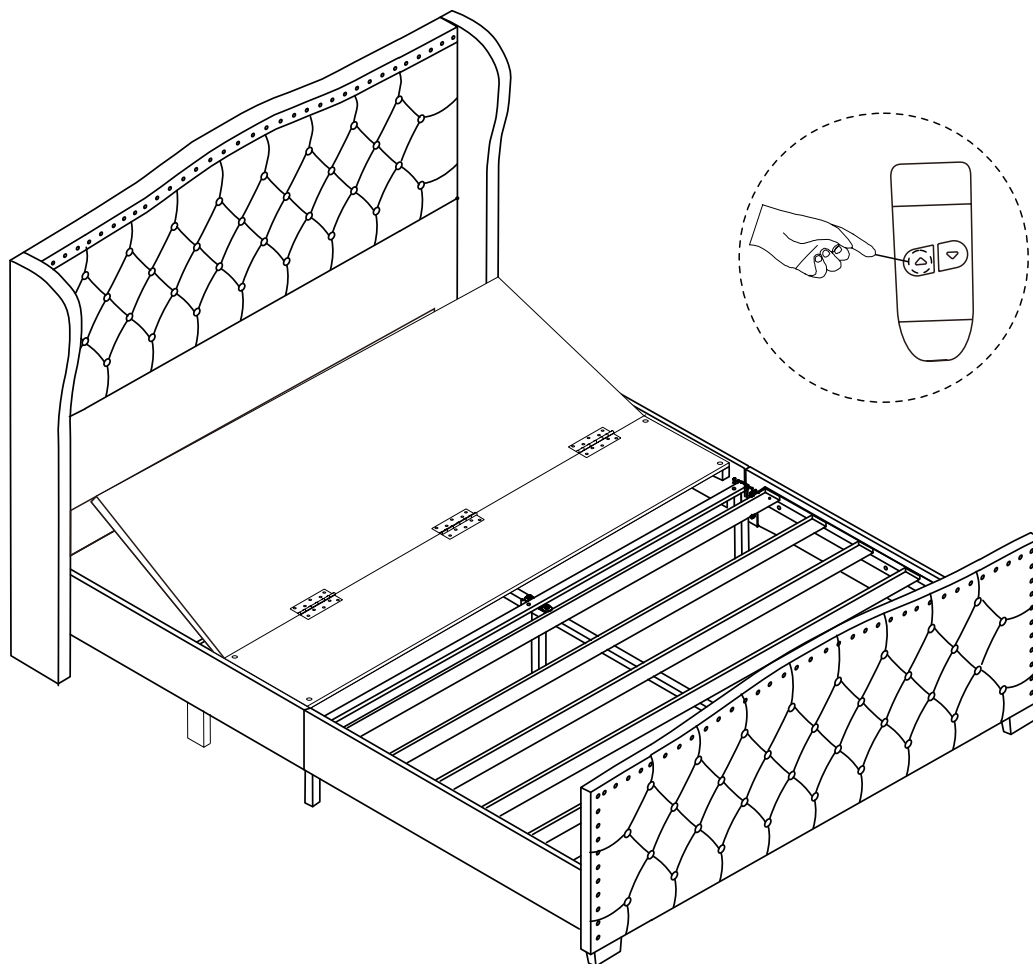
g

M8*40

4PCS



step28



step29

