

40" Clamp-On Gaming Shelf System

SKU: DESK-SHELF40G
Instruction Manual

Assembly Video & Product Info
www.vivo-us.com/products/desk-shelf40g



! CAUTION! !

If you do not understand these directions, or if you have any doubts about the safety of the installation, please contact our product support team at 309-278-5303 or help@vivo-us.com for further assistance. Check carefully to make sure there are no missing or defective parts. Improper installation may cause damage or serious injury. Do not use this product for any purpose that is not explicitly specified in this manual. Do not exceed weight capacity. We cannot be liable for damage or injury caused by improper mounting, incorrect assembly or inappropriate use.



WARNING: CHOKING HAZARD

SMALL PARTS - NOT FOR CHILDREN UNDER 3 YEARS. ADULT SUPERVISION IS REQUIRED.



DO NOT EXCEED WEIGHT CAPACITY

FAILURE TO DO SO MAY RESULT IN SERIOUS INJURY.

We're Here for You

Open **Monday - Friday 7:00am - 7:00pm CST**, our dedicated support team can offer immediate assistance with rapid response times. If any parts are received damaged or defective, please contact us. We are happy to replace parts to ensure you have a fully functioning product.



Give us a Call:
309-278-5303

AVG. RESOLUTION TIME (*within office hrs*): **5M 4S**



Chat Us:
www.vivo-us.com

AVG. RESOLUTION TIME (*within office hrs*): **< 15 M**

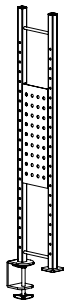


Email Us:
help@vivo-us.com

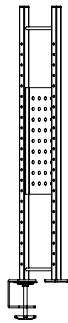
AVG. RESPONSE TIME (*within office hrs*): **1HR 8M**

- 23% within < 15m
- 38% within < 30m
- 61% within < 1hr
- 83% within < 2hr
- 92% within < 3hr

Package Contents



A (x1)
Left Side Support



B (x1)
Right Side Support

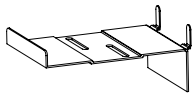


C (x4)
Support Bar



D (x2)
Shelf

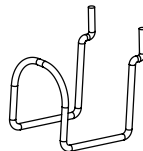
Accessories



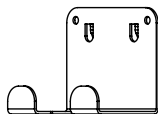
E (x2)
Disc Shelf



F (x4)
Disc Shelf Support



G (x2)
Large Hook

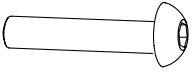


H (x2)
Headphone Hook



I (x2)
Small Hook

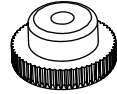
Included Hardware & Tools



S-A (x8)
M6x30mm Screw



S-B (x12)
M5x30mm Screw



S-C (x4)
Nut



T-A (x1)
4mm Allen Wrench

Weight Capacity:



Total

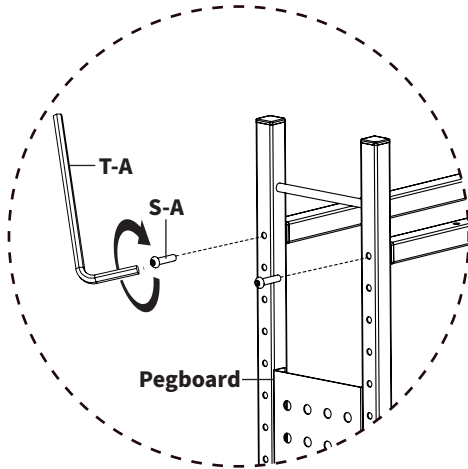



Per Shelf

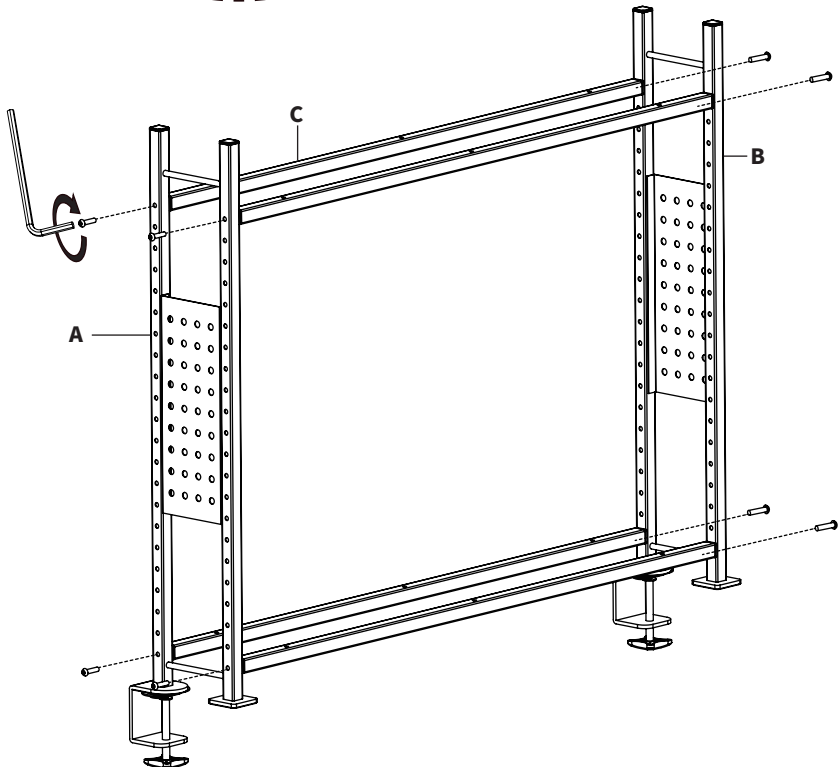
ASSEMBLY STEPS

STEP 1

Attach Left and Right Side Supports (**A,B**) to the Support Bars (**C**) at the desired heights using M6x30mm Screws (**S-A**) and 4mm Allen Wrench (**T-A**).

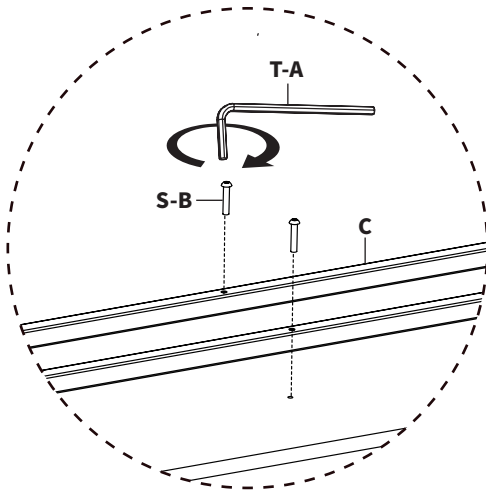


 Ensure the **Pegboards** are facing outwards as shown.

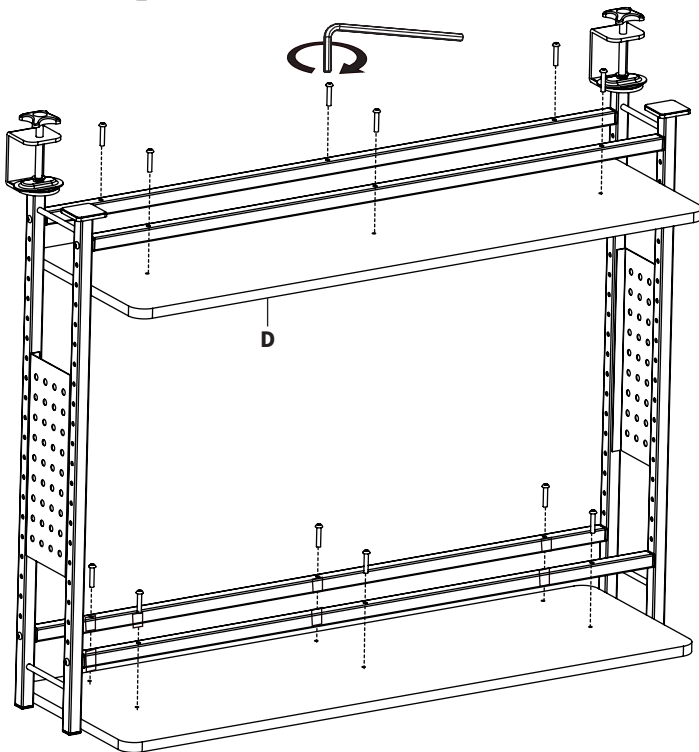


STEP 2

Flip the Shelf Assembly over and attach Shelves (**D**) to Support Bars (**C**) using M5x30mm Screws (**S-B**) and 4mm Allen Wrench (**T-A**).

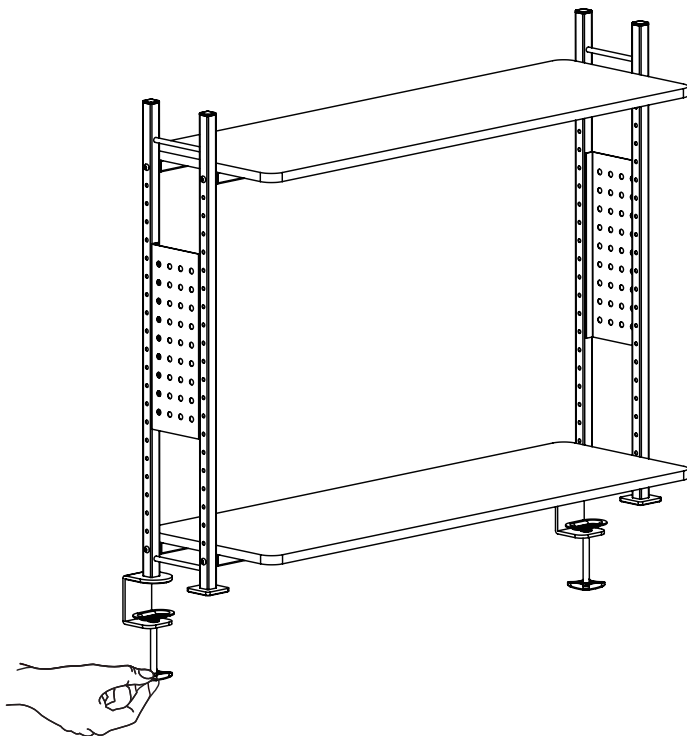
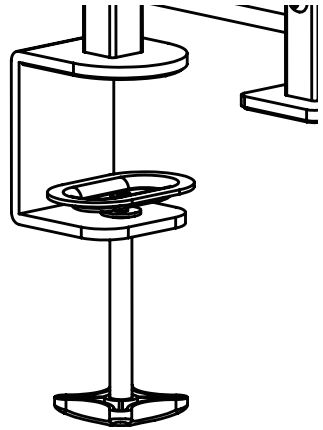
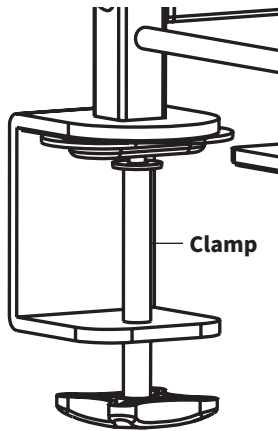


**2 Person Assembly
is Recommended**



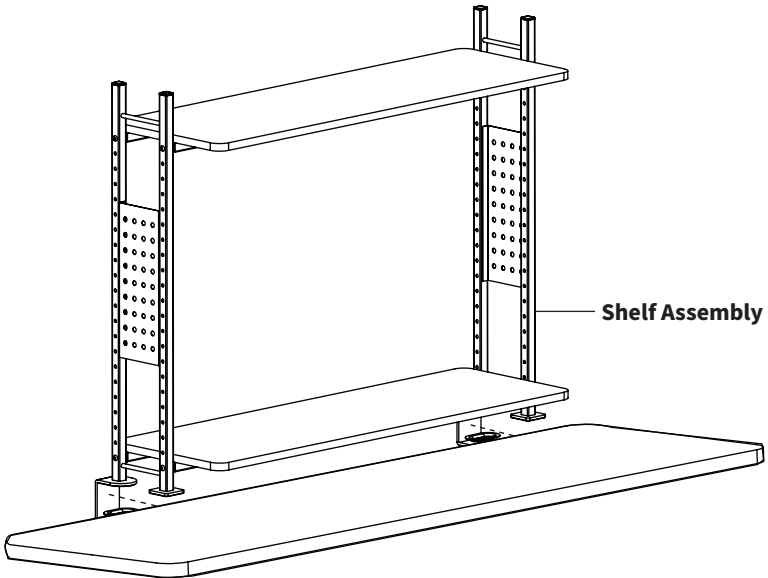
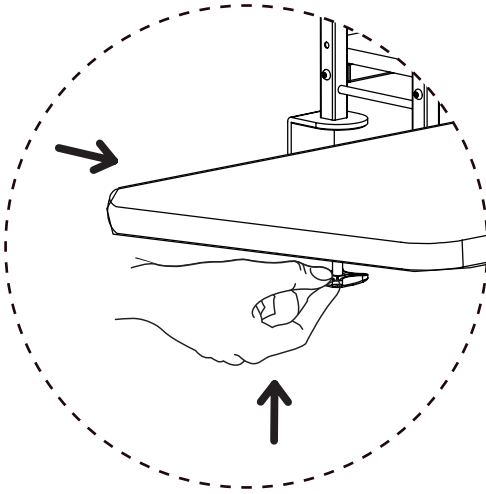
STEP 3

Loosen the **Clamps** beyond the thickness of the desktop.



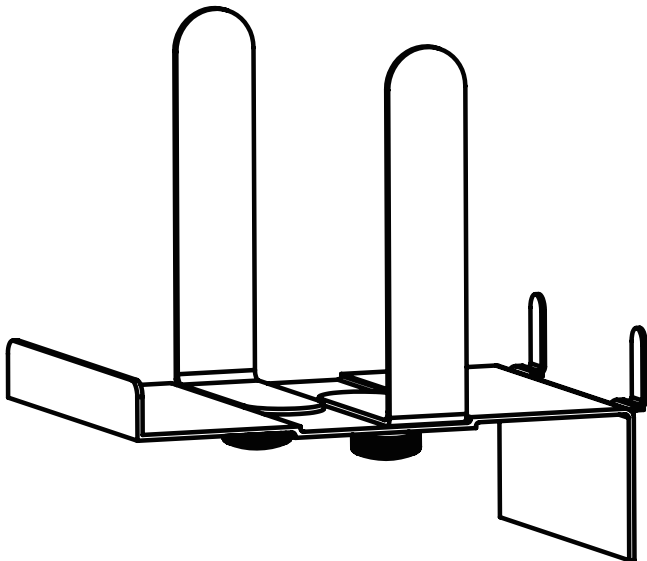
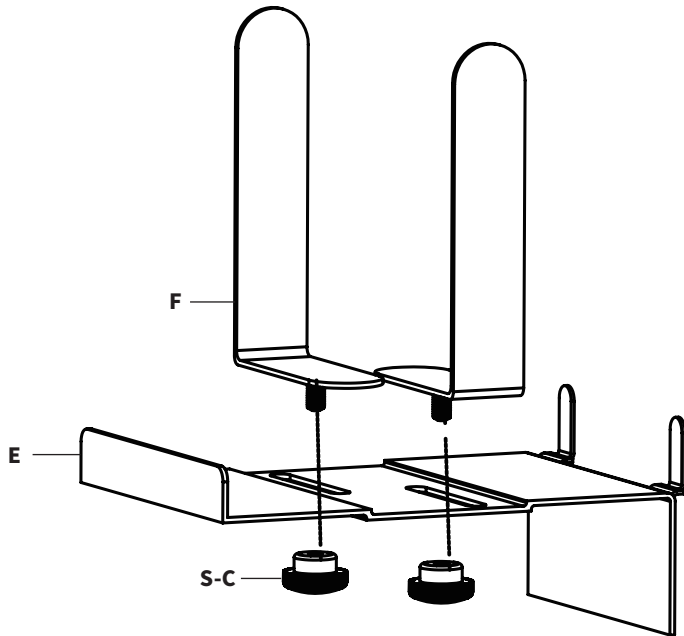
STEP 4

Clamp the **Shelf Assembly** onto the edge of the desktop.



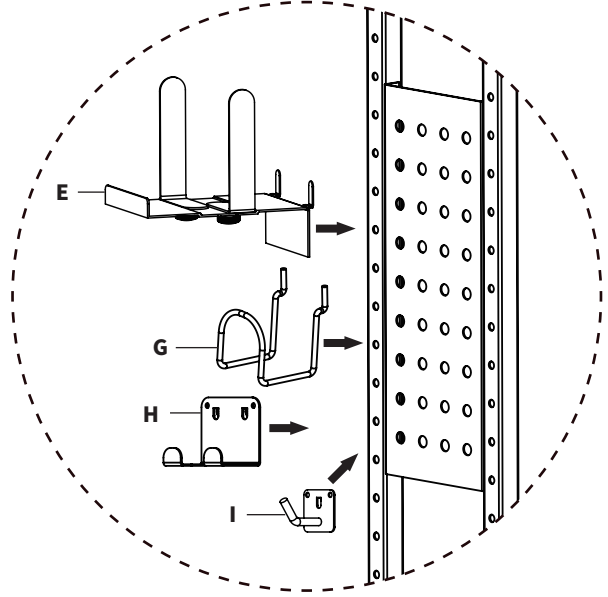
STEP 5

Attach Disc Shelf Supports (**F**) to Disc Shelf (**E**) as shown using Nuts (**S-C**).

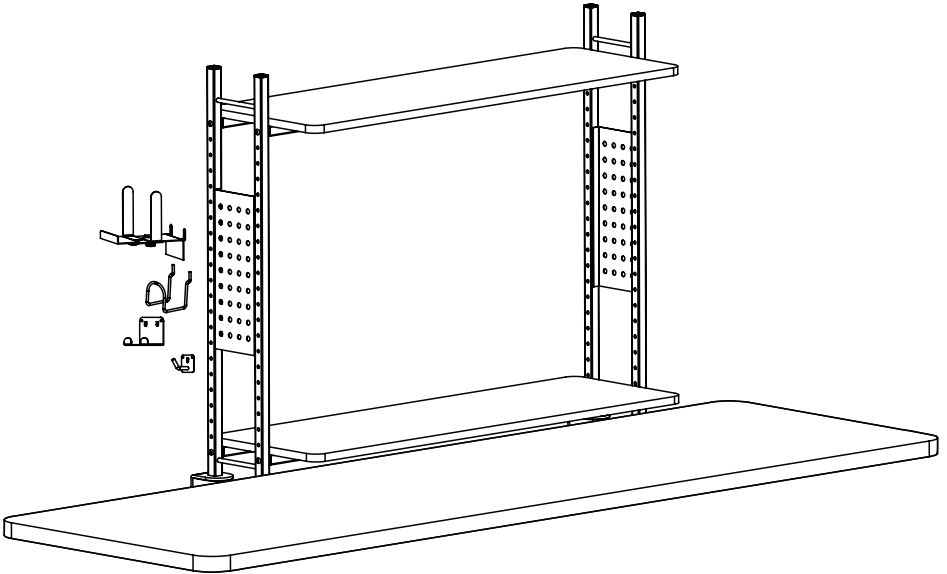


STEP 6

Place Accessories (**E through I**) where desired on Side Supports (**A,B**).



Disc Shelf (E) can be used to store other accessories as desired.



[THIS PAGE HAS BEEN INTENTIONALLY LEFT BLANK]



Need Help? Get In Touch

Monday-Friday from 7:00am-7:00pm CST



help@vivo-us.com



www.vivo-us.com

Chat live with an agent!



309-278-5303



VIVO-us @vivo_us

FOR MORE GREAT VIVO PRODUCTS,
CHECK OUT OUR WEBSITE AT: WWW.VIVO-US.COM