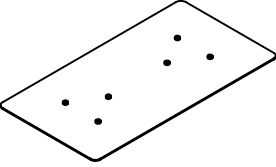
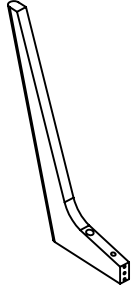
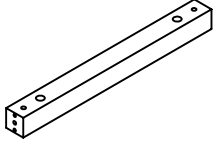

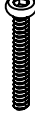





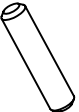
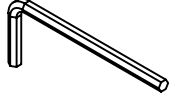
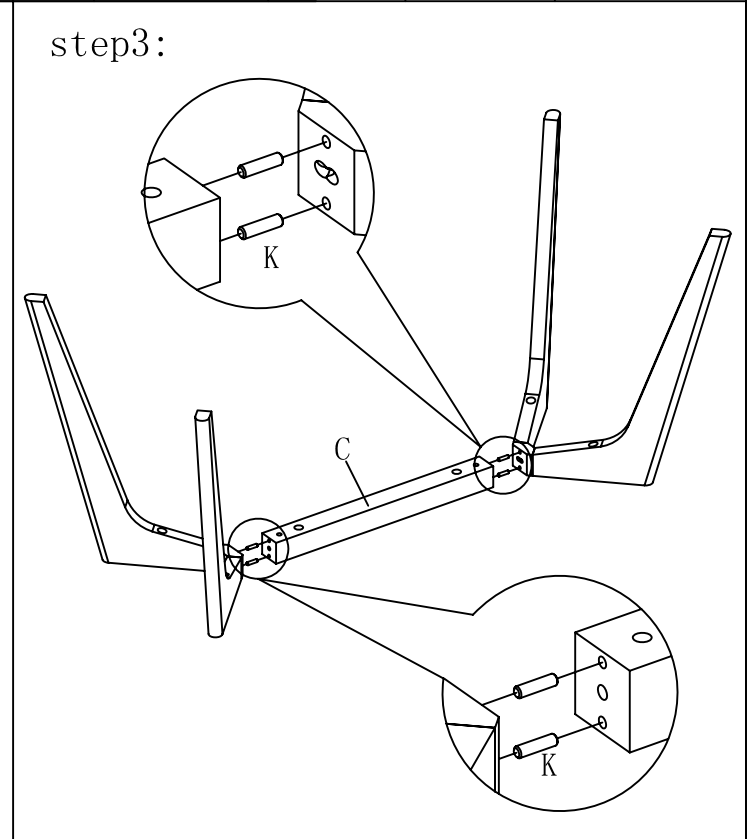
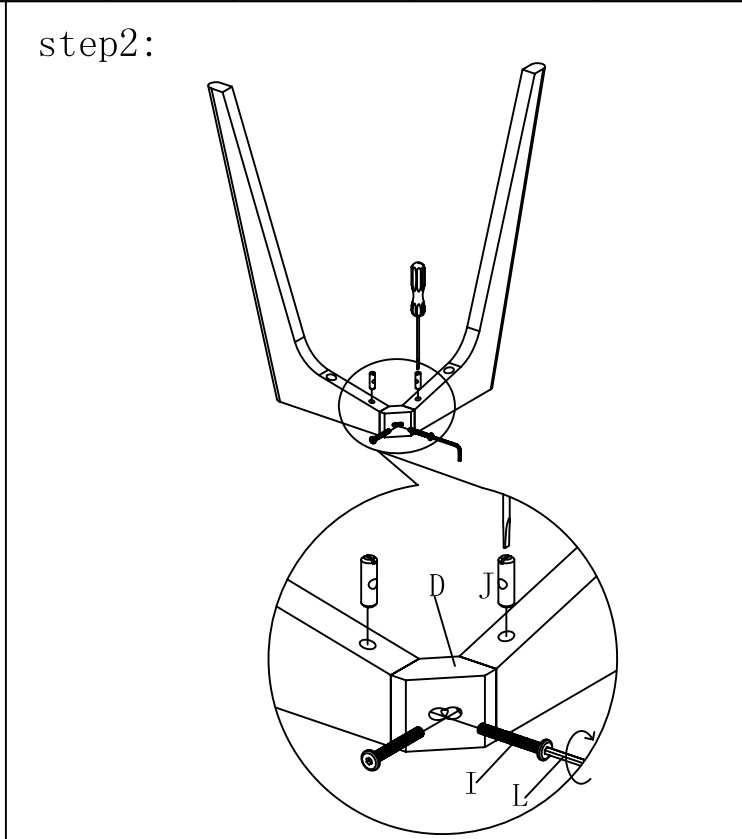
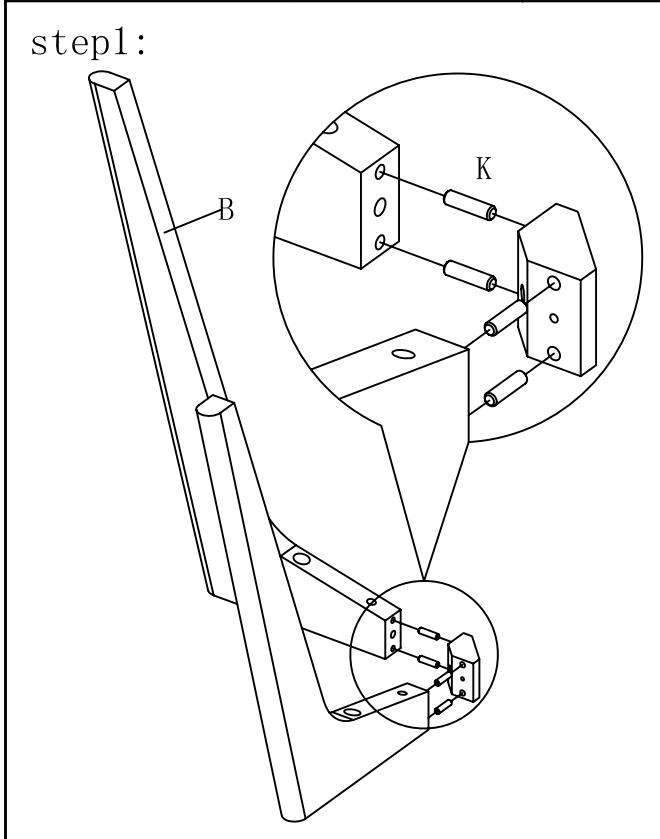


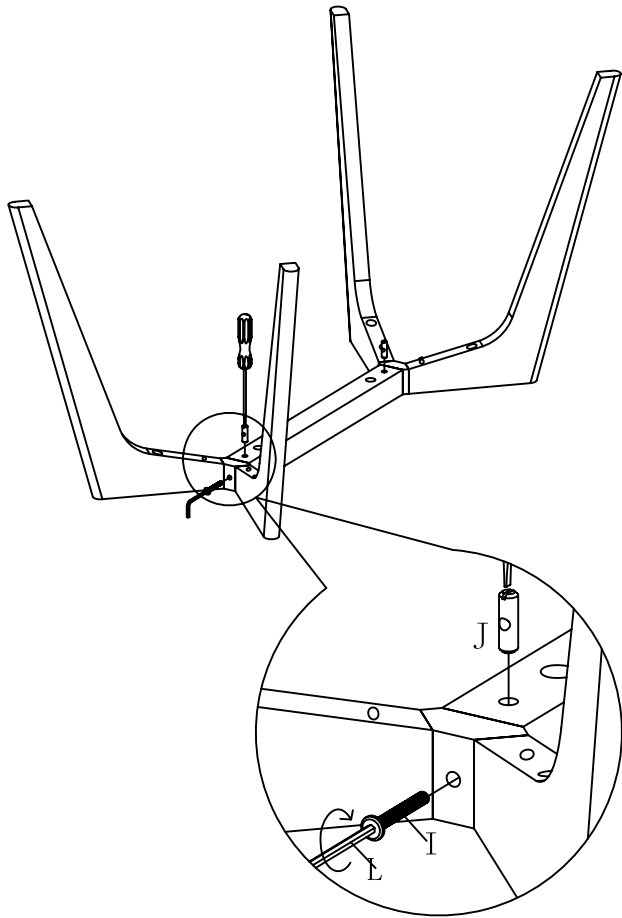
ASSEMBLY PICTURE

											
Ax1	Bx4	Cx1	Dx2	M6x50 Ex2	M6x85 Fx4	M6 Gx6	M6 Hx6	M8x60 Ix6	$\phi 12*40\text{mm}$ Jx6	$\phi 8*30\text{mm}$ Kx12	M6 Lx1

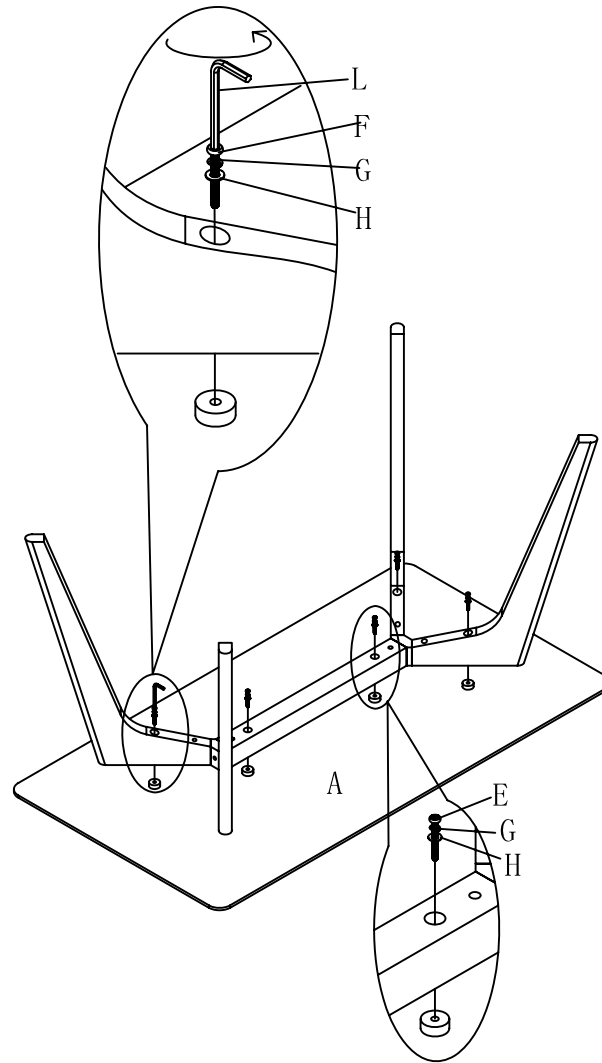


ASSEMBLY PICTURE

step4:



step5:



step6:

