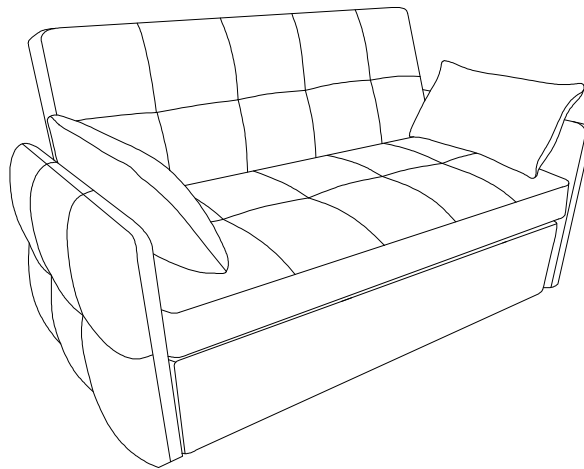


CHELSEA SOFA BED SILVER GREY FABRIC ASSEMBLY INSTRUCTIONS



**MAX CHAIR
WEIGHT**



IMPORTANT FOR DOMESTIC USE ONLY

PLEASE READ BEFORE YOU CONTINUE FURTHER

THE PRODUCT YOU HAVE PURCHASED WILL GIVE YOU MANY YEARS OF SERVICE IF YOU FOLLOW THE GUIDELINES FOR ITS SAFE ASSEMBLY AND PERIODIC MAINTENANCE AND CLEANING.

ASSEMBLE ON A SOFT CLEAN SURFACE.

DO NOT USE ANY TOOLS OTHER THAN THOSE SHOWN

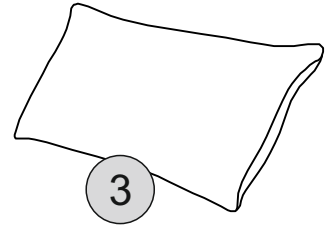
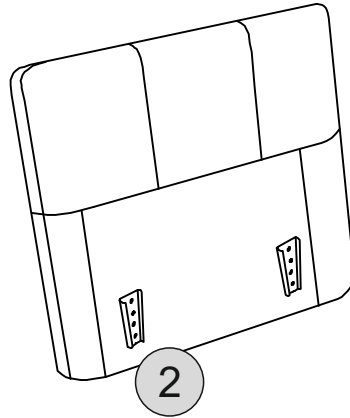
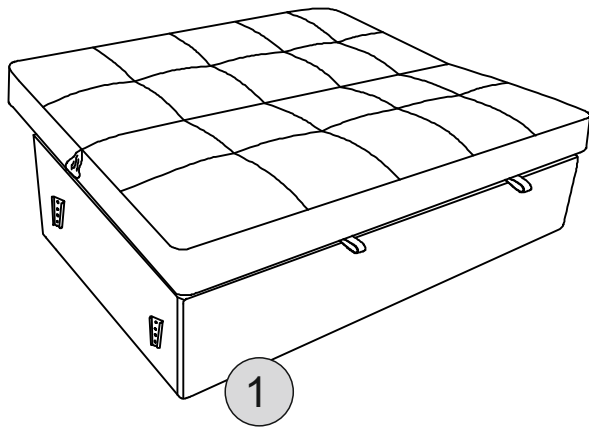
ANY SPANNERS OR ALLEN KEYS REQUIRED ARE INCLUDED WITH THE FITTINGS KIT.

DO NOT FOR ANY REASON USE A POWER TOOL TO ASSEMBLE THIS PRODUCT. ITS USE WILL INVALIDATE ANY CLAIM YOU MAY HAVE AND COULD MAKE THIS PRODUCT UNSAFE.

DEPENDING ON THE AMOUNT OF USE THIS PRODUCT RECEIVES IT MAY BE NECESSARY TO TIGHTEN UP THE FIXINGS FROM TIME TO TIME. THIS IS COMPLETELY NORMAL FOR ANY FLAT PACK FURNITURE.
DO NOT OVERTIGHTEN FIXINGS.

FOR CLEANING YOU MAY USE A DAMP CLOTH (NOT WET).

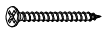
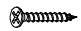


THIS PRODUCT MAY STAIN OR MARK IF ALLOWED TO COME INTO CONTACT WITH WET OR DAMP OBJECTS AS MATERIALS USED HAVE NOT BEEN TREATED WITH SCOTCH GUARD.



PARTS LIST

Part Number	Part Description	Quantity	Carton
1	Sofa Bed	1	1/1
2	Sofa Arms	2	1/1
3	Cushion	2	1/1

HARDWARE LIST

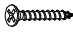
No.	Part Name		Qty
A	Wood Screw M5x40mm		04
B	Wood Screw M4x25mm		16
C	Plastic Foot		04
D	Wheel Castor		04

STEP 1

PARTS REQUIRED

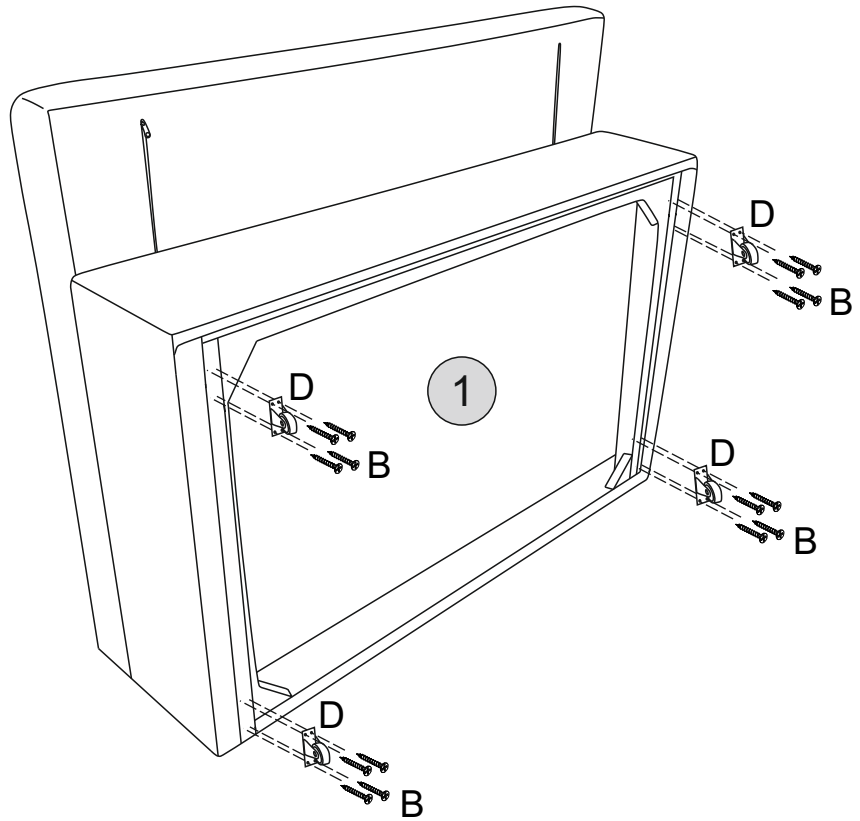
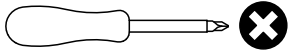
1 - SOFA BED x1

HARDWARE REQUIRED

B  16

D  04

TOOLS REQUIRED

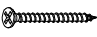


STEP 2

PARTS REQUIRED

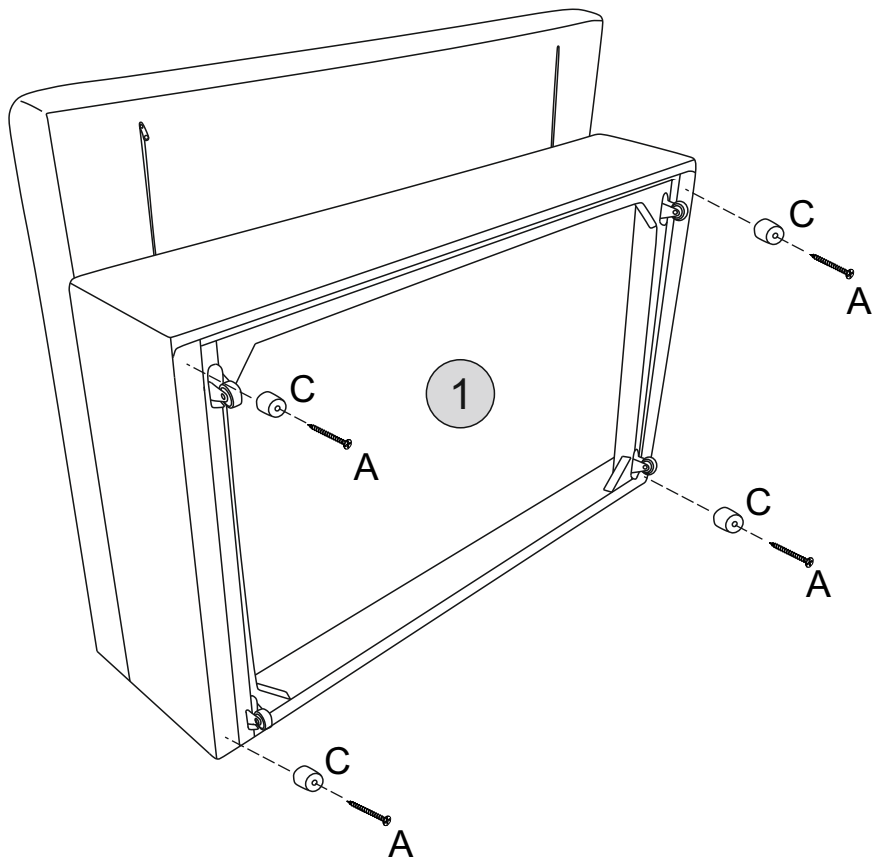
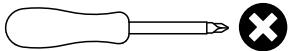
1 - SOFA BED x1

HARDWARE REQUIRED

A  04

C  04

TOOLS REQUIRED



STEP 3

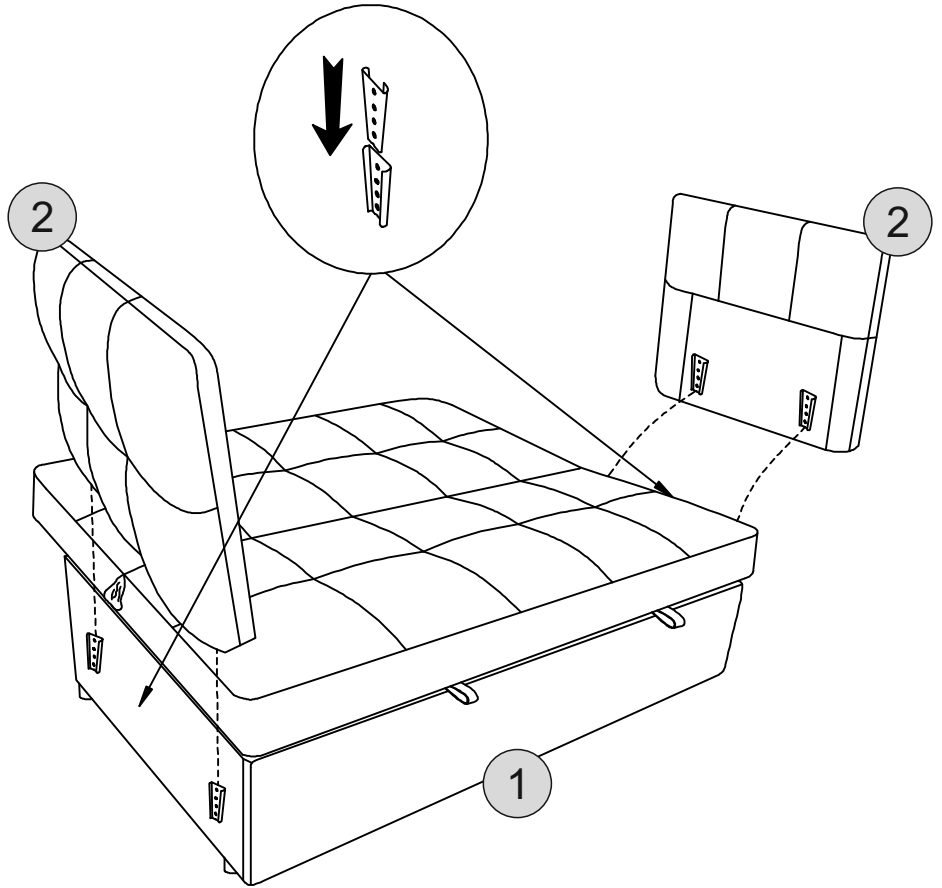
PARTS REQUIRED

1 - SOFA BED x1

2 - SOFA ARMS x2

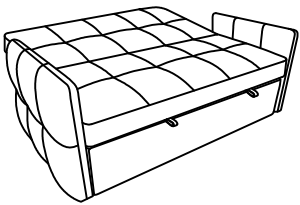
HARDWARE REQUIRED

TOOLS REQUIRED



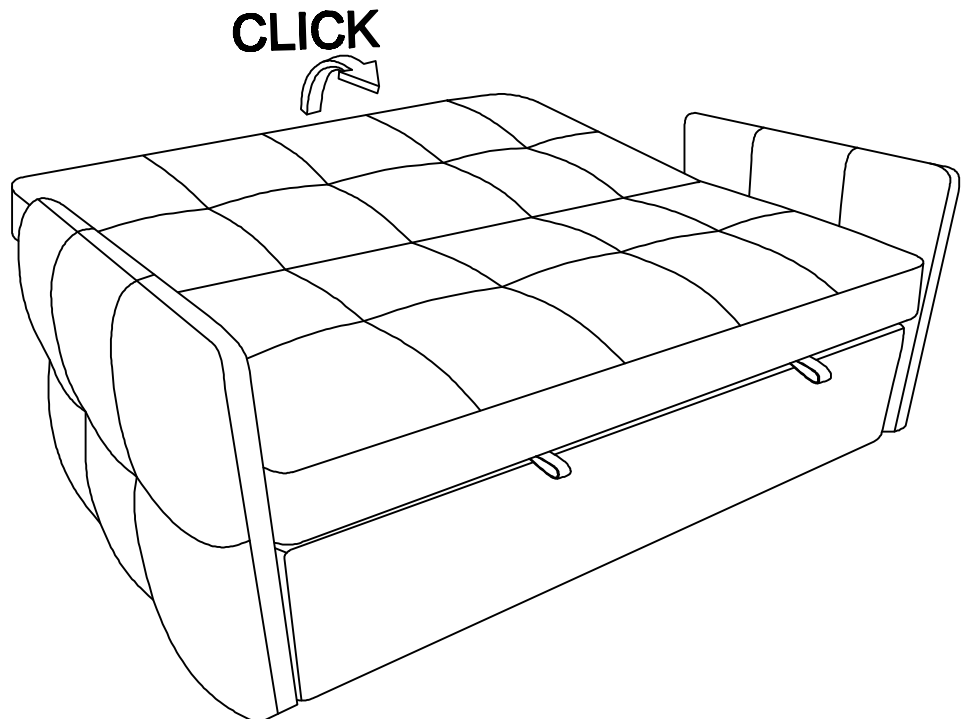
STEP 4

PARTS REQUIRED



HARDWARE REQUIRED

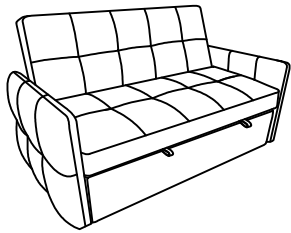
TOOLS REQUIRED



STEP 5

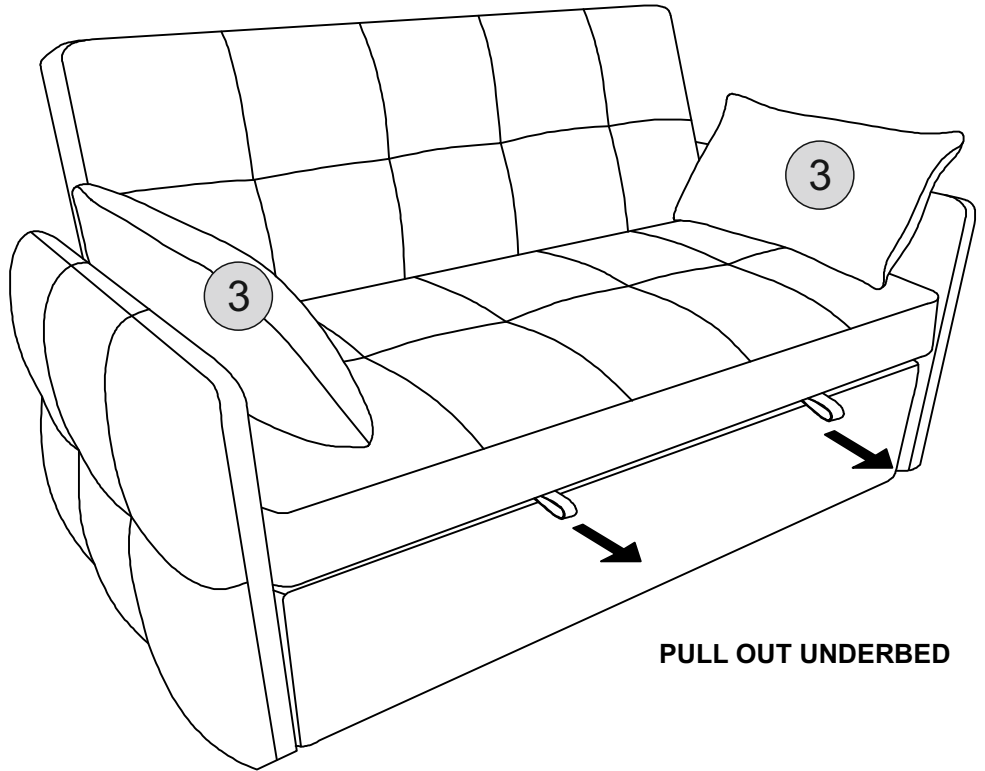
PARTS REQUIRED

3 - CUSHIONS x2



HARDWARE REQUIRED

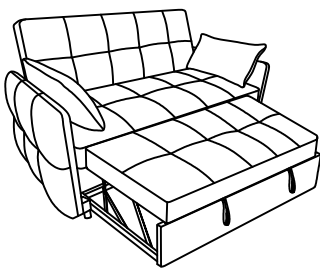
TOOLS REQUIRED



PULL OUT UNDERBED

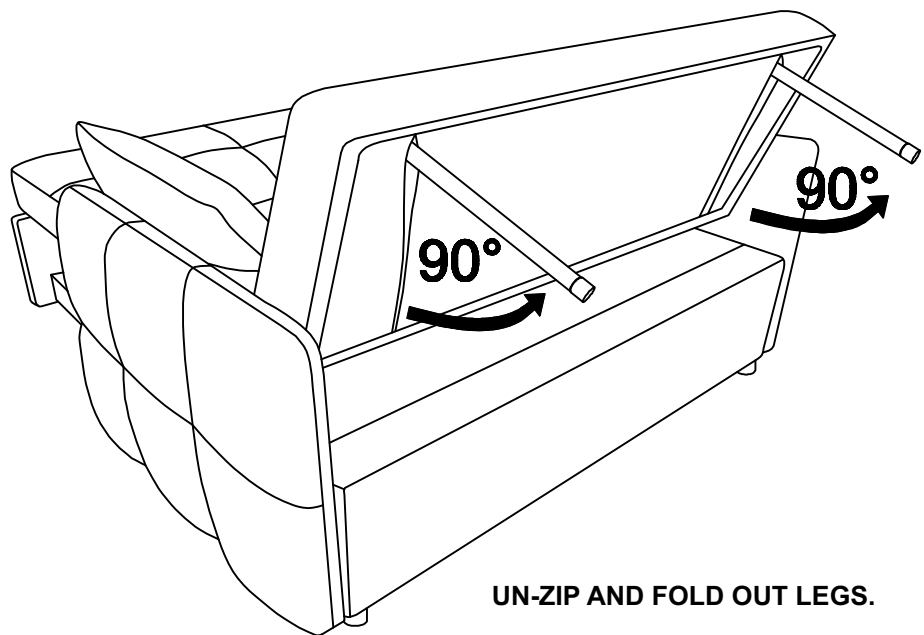
STEP 6

PARTS REQUIRED



HARDWARE REQUIRED

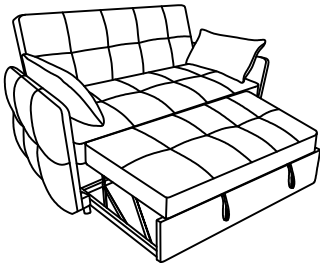
TOOLS REQUIRED



UN-ZIP AND FOLD OUT LEGS.

STEP 7

PARTS REQUIRED



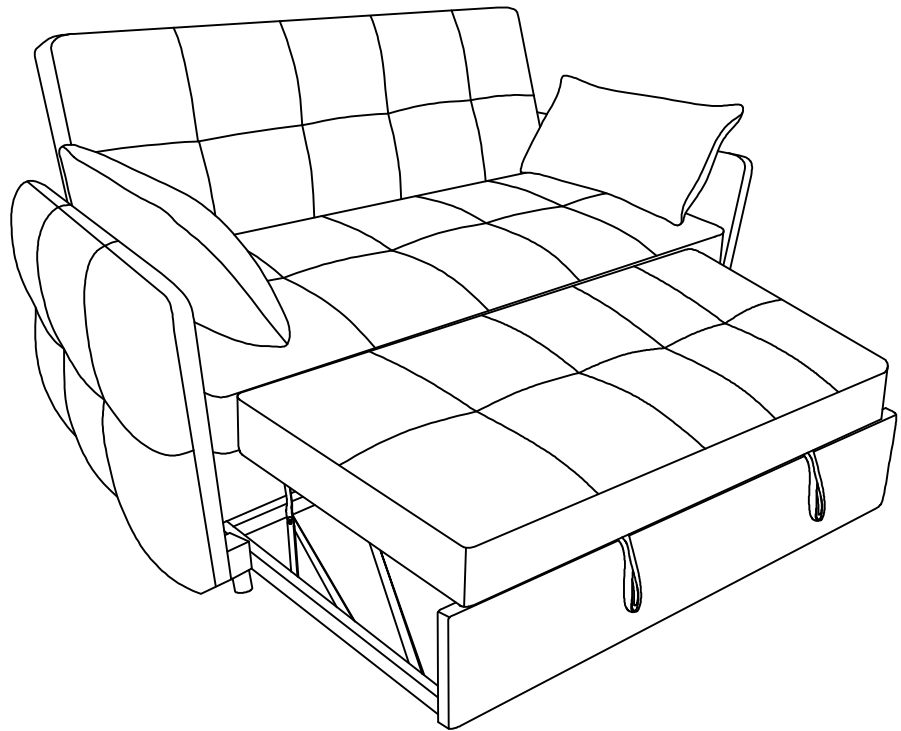
HARDWARE REQUIRED

TOOLS REQUIRED

1) CLICK FORWARD



2) DROP BACK

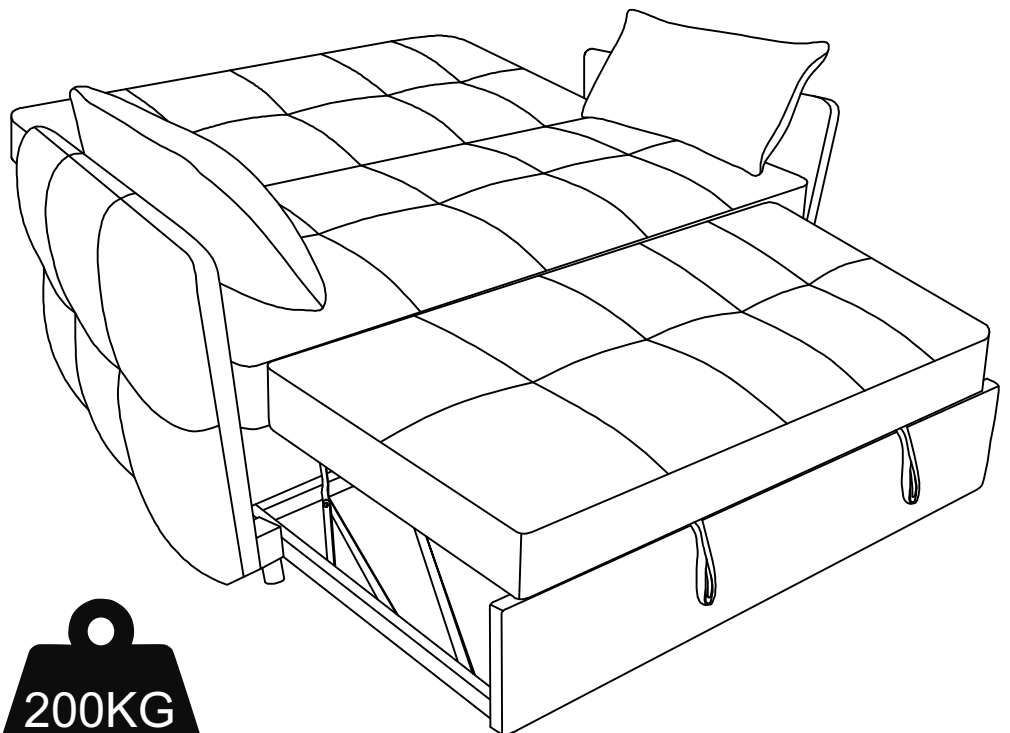


STEP 8

PARTS REQUIRED

HARDWARE REQUIRED

TOOLS REQUIRED



MAX CHAIR
WEIGHT