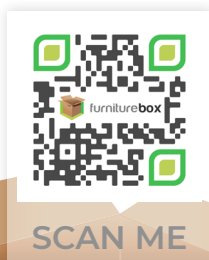
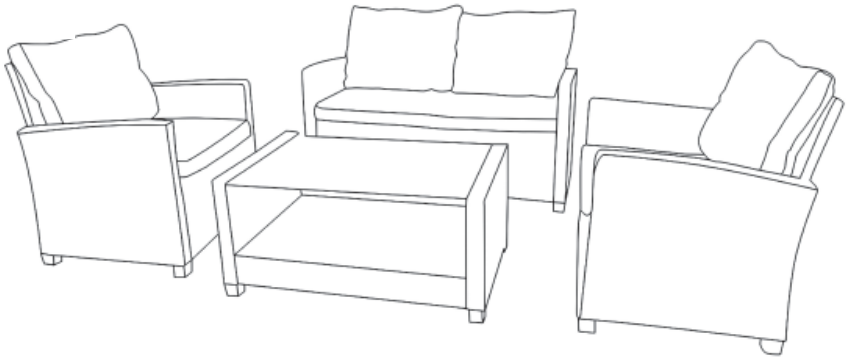


ARIZONA

ASSEMBLY GUIDE



www.furniturebox.co.uk

Scan QR code for more tips,
advice and assembly video or visit
furniturebox.co.uk/club/general-club-page



Important - Please read these instructions fully before starting assembly



SAFETY AND CARE ADVICE



NO POWER TOOLS

SAFETY AND CARE ADVICE

- Check you have all the components and tools listed.
- Remove all fittings from the plastic bags and separate them into their groups.
- We do not recommend the use of power drills/drivers for inserting screws, as this could damage the unit. Only use hand screwdrivers and Allen keys.
- Keep children and animals away from the work area, small parts could cause choking if swallowed.
- Make sure you have enough space to lay out the parts before starting.
- Assemble the item as close to its final position (in the same room) as possible.
- Do not overtighten the nuts to avoid causing damage to the threads.
- Only clean using a damp cloth and mild detergent, do not use bleach or abrasive cleaners.
- From time to time check that there are no loose screws on this unit
- This product should not be discarded with household waste. Take to your local authority waste disposal centre



IMPORTANT INFORMATION



45 MINUTE
BUILD



TWO
PERSON



MAXIMUM CAPACITY
CHAIR - 160Kg
SOFA - 360Kg
TABLE - 75Kg

PLEASE CHECK CAREFULLY AND MAKE SURE YOU HAVE ALL FITTINGS AND TOOLS LISTED BELOW BEFORE YOU START.

Chair Parts

A 1Pcs	B 1Pcs	C 1Pcs	D 1Pcs	K 8Pcs
L 4Pcs	T 4Pcs	N 1Pcs	P 1Pcs	Q 1Pcs
	M 2Pcs	O 4Pcs		

Sofa Parts

A 1Pcs	B 1Pcs	E 1Pcs	F 1Pcs	K 8Pcs
L 5Pcs	T 4Pcs	N 1Pcs	R 1Pcs	S 2Pcs
	M 2Pcs	O 4Pcs		

Table Parts

G 2Pcs	H 1Pcs	J 1Pcs	K 6Pcs	T 4Pcs	N 1Pcs
O 4Pcs					

NOTE: The quantities above are the correct amount to complete the assembly. In some cases more fittings may be supplied than are required.

Chair Assembly

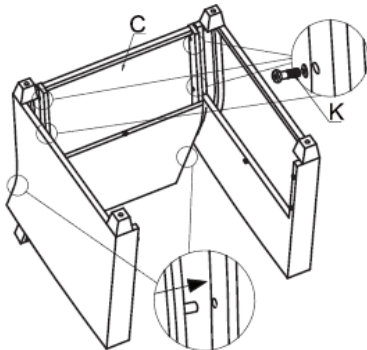
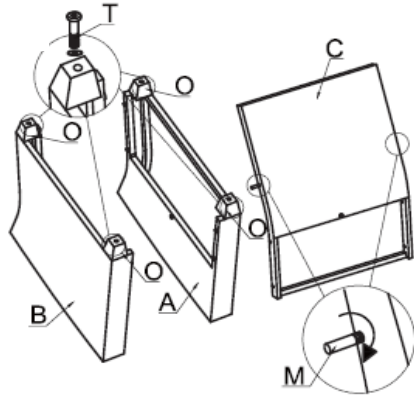
STEP 1

Use a clear, flat, soft surface to avoid bumps or scratches. Lay all your components and fixings out.

First, assemble your 2x chairs. Twist 2 x dowels [M] into the pre-drilled holes on the side of back rest [C]

Place arm rest panels [A + B] upside down on the flat surface and attach 4 x feet [O] using 4 x washer + screws [T].

Tighten with allen key [N]



STEP 2

Align the pre-drilled holes and dowels on chair back rest [C] to the 2 x arm rests [A + B] and attach using 4 x washer and screws [K].

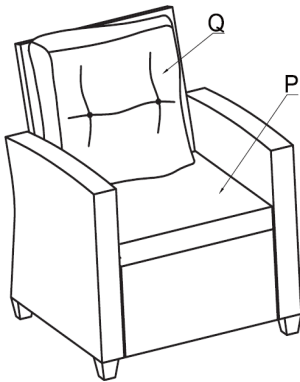
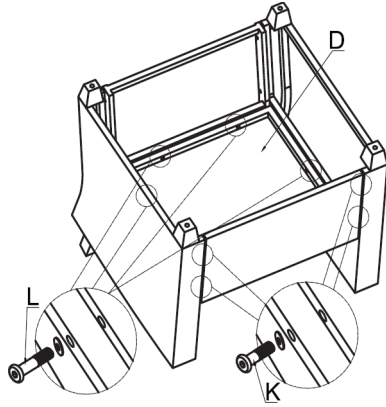
Tighten with allen key [N]



STEP 3

Align chair seat [D] with the remaining pre-drilled holes on the chair frame. Attach the front of the seat using 4 x washer and screws [K].

Attach the main section to the frame using 4 x washer and screws [L]. Tighten with allen key [N]



STEP 4

Repeat steps 1-3 for the second chair.

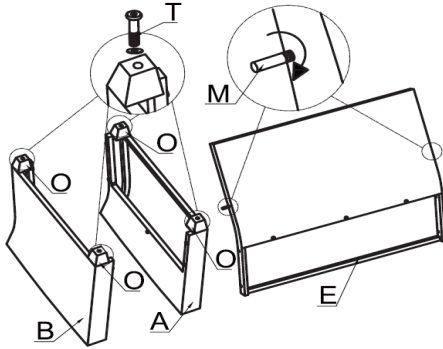
Carefully flip the chairs so they stand on their feet.

Place seat cushions [P] and back rest cushions [Q] into position.

STEP 5

Check stability of both chairs. Your chairs are now ready to use!

Sofa Assembly

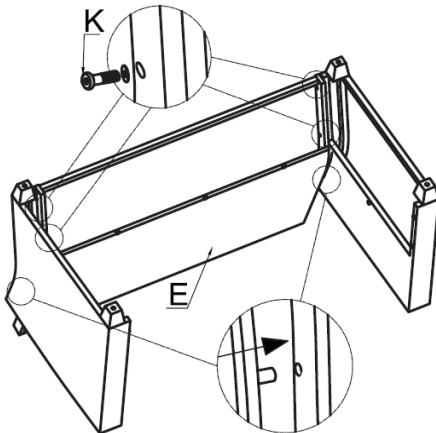


STEP 6

Twist 2 x dowels [M] into the pre-drilled holes on the side of back rest [E]

Place arm rest panels [A + B] upside down on the flat surface and attach 4 x feet [O] using 4 x washer + screws [T].

Tighten with allen key [N]

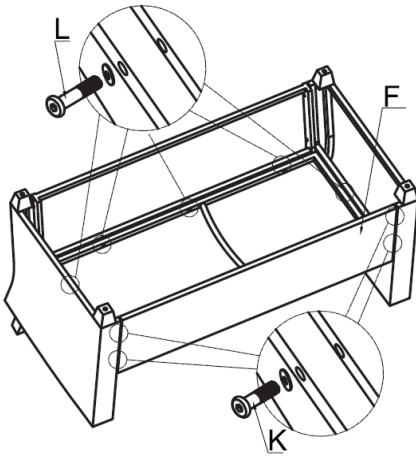


STEP 7

Align the pre-drilled holes and dowels on sofa back rest [E] to the 2 x arm rests [A + B] and attach using 4 x washer and screws [K].

Tighten with allen key [N]





STEP 8

Align sofa seat [F] with the remaining pre-drilled holes on the sofa frame. Attach the front of the seat using 4 x washer and screws [K].

Attach the main section to the frame using 4 x washer and screws [L]. Tighten with allen key [N]

STEP 9

Carefully, and with help, flip the sofa to stand on the feet. Place seat cushion [R] and back rest cushions [S] into position.

STEP 10

Check stability. Your sofa is now ready to use!

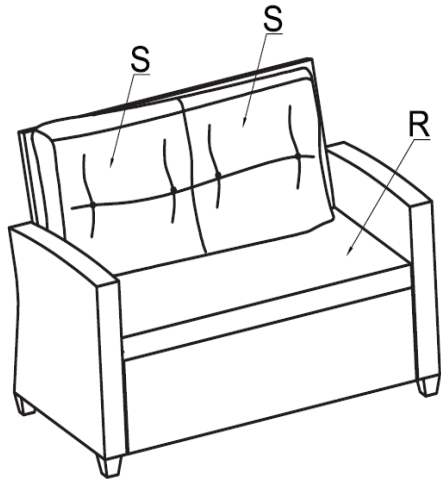
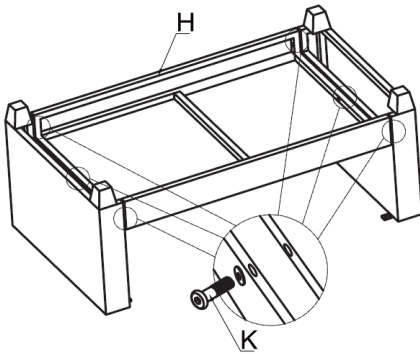
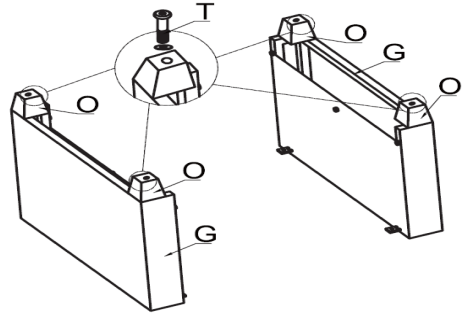


Table Assembly

STEP 11

Place the 2 x table side panels [G] upside down on the flat surface and attach 4 x feet [O] using 4 x washer + screws [T]. Tighten with allen key [N]

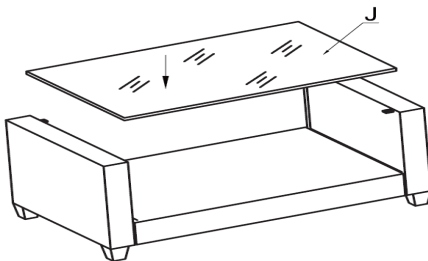


STEP 12

Align table base [H] with the pre-drilled holes on the table side panels and attach using 4 x washer and screws [K]. Tighten with allen key [N]

STEP 13

Carefully, and with help, flip the table to stand on the feet. Place the table top [J] onto the pre-fitted supports.



Check stability. Your table is now ready to use!

