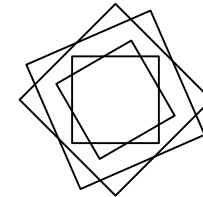
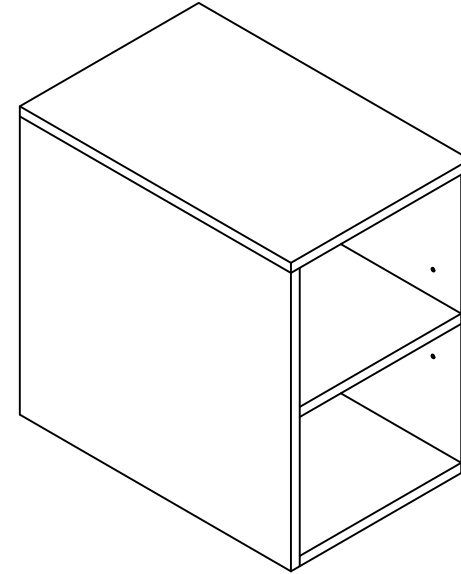


THANKS FOR WATCHING

Your feedback is invaluable to us and we would love to hear about your experience. Please take the time to leave us a review.



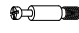







Thank you for shopping with us!

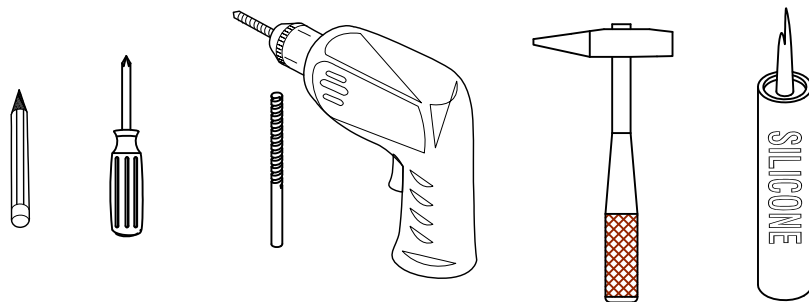
We encourage you to take a few minutes to go through this booklet. It contains important information on installation and care tips to keep your furniture looking as good as new.

Item NO.:BV C07412

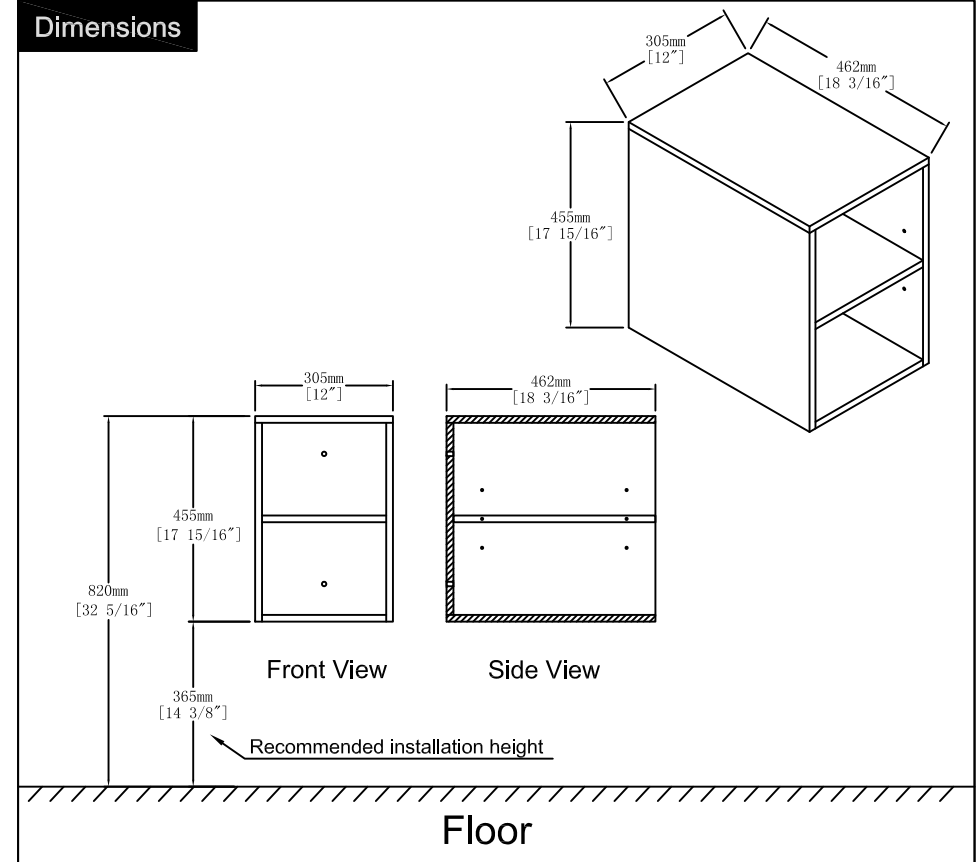
Hardware

NO.	Draw	QTY	NO.	Draw	QTY
A	 Screws	4	E	 Plastic anchor(Ø10mm)	2
B	 Two-in-one connector	16	F	 Wall hanging screw decorative cover	2
C	 Two-in-one connector	16	G	 Screws for fix on the wall	2
D	 Wood plug	4	H	 Screwdriver	1

Recommended tools

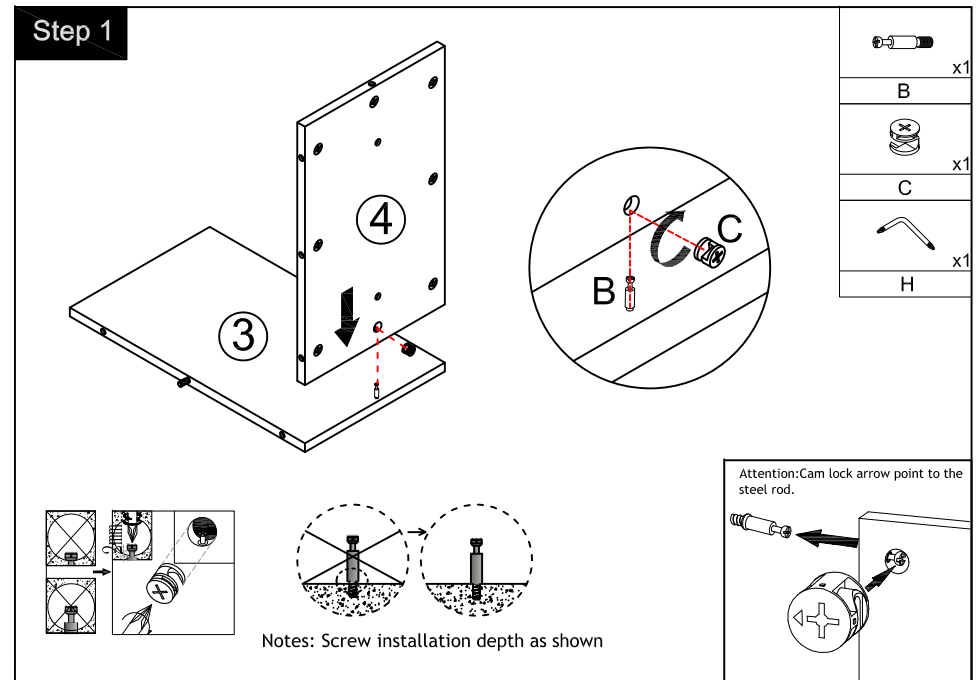
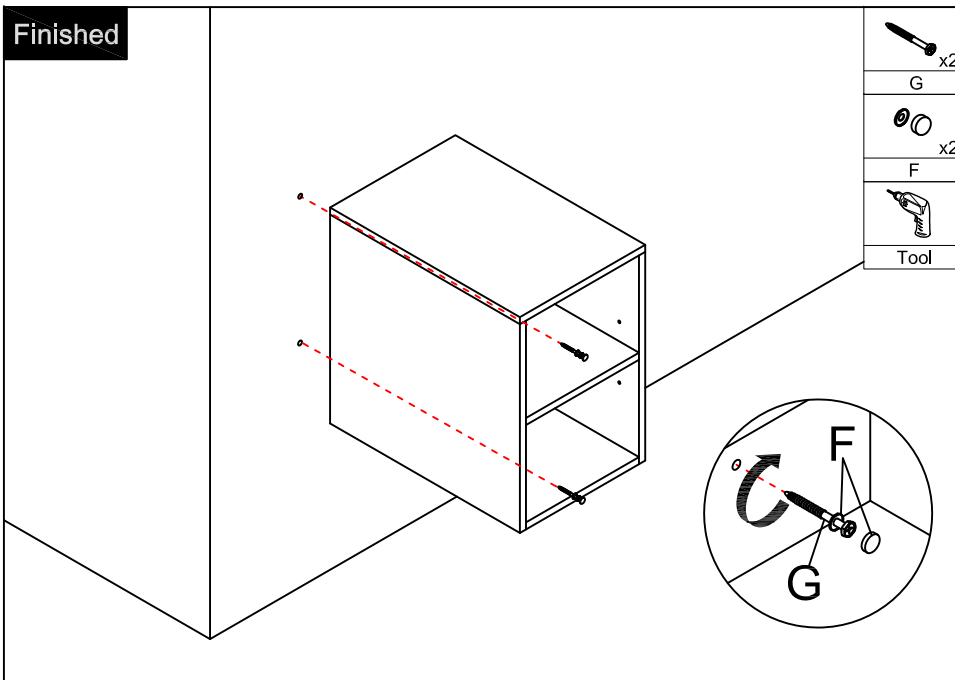
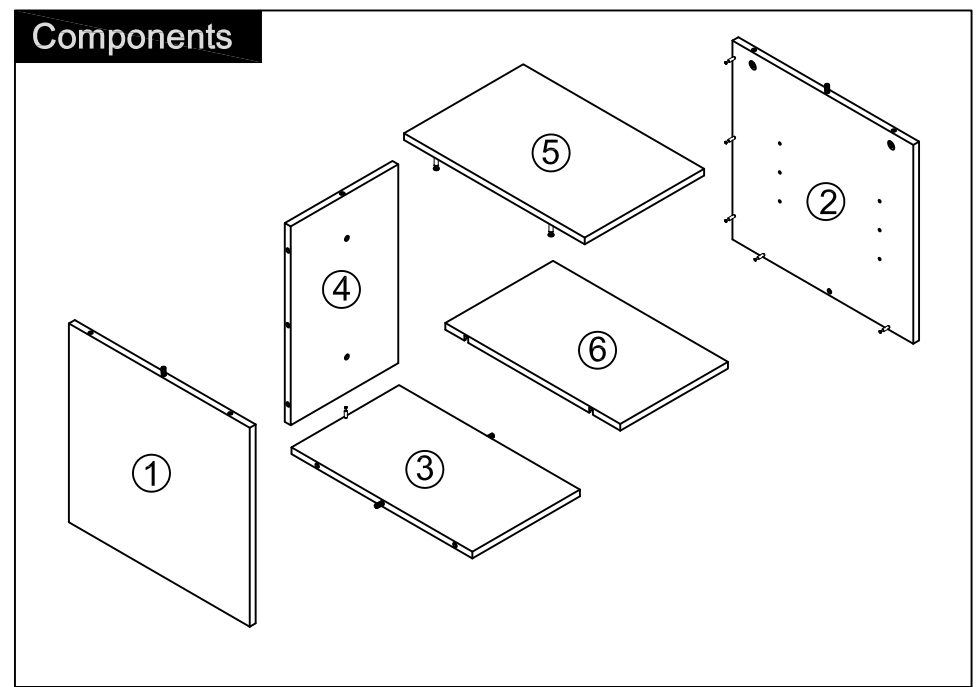
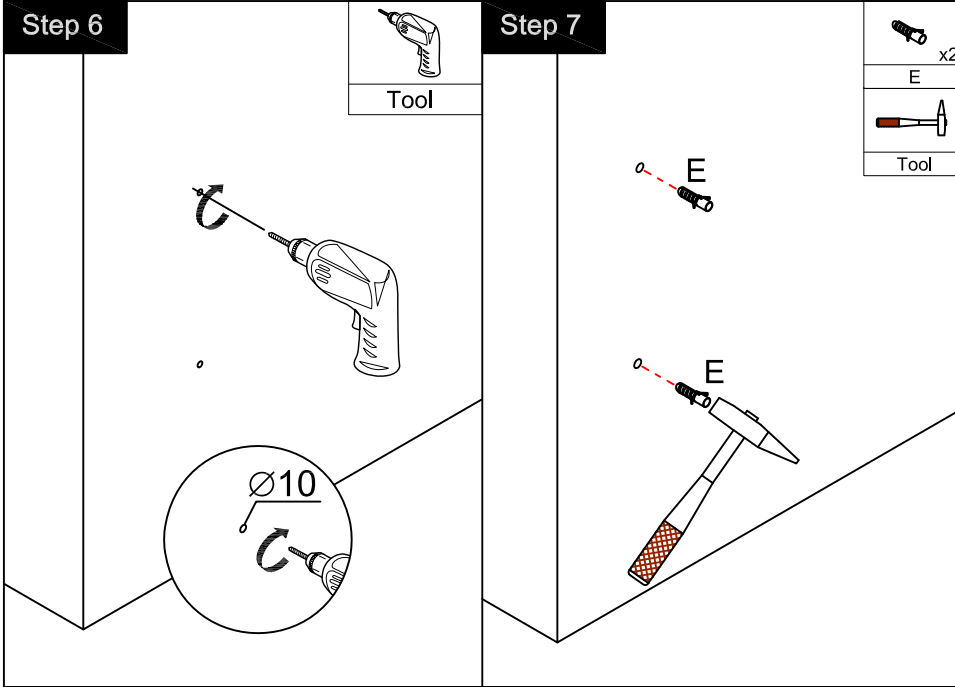


Dimensions

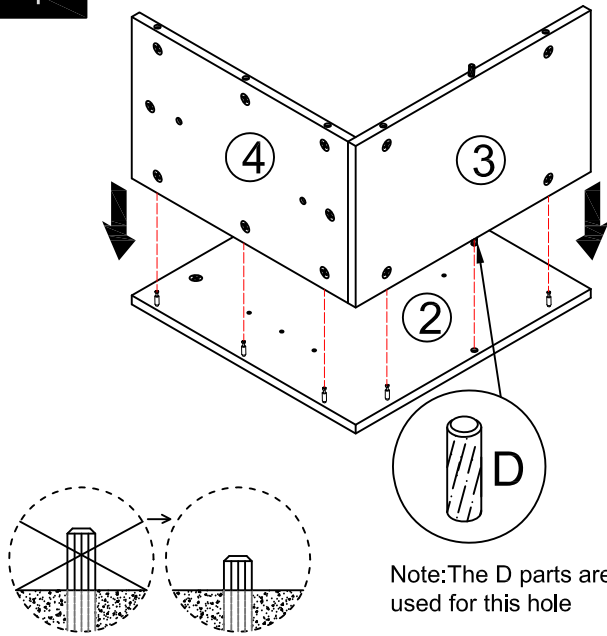


CARE CLEANING AND MAINTENANCE

1. Dust regularly with a soft , dry cloth.
2. Avoid the use of all chemicals household cleaners, abrasives, or cleaners that contain lemon, vinegar, or other acids that may damage the finish.
3. Excessive exposure to sunlight and extreme changes in temperature and moisture can damage wood furniture.
4. The sink top is resilient, but care needs to be taken to preserve its appearance.
5. Do not place hot appliances, such as curling irons and hot hair dryers directly on the countertop. Wipe spills immediately.

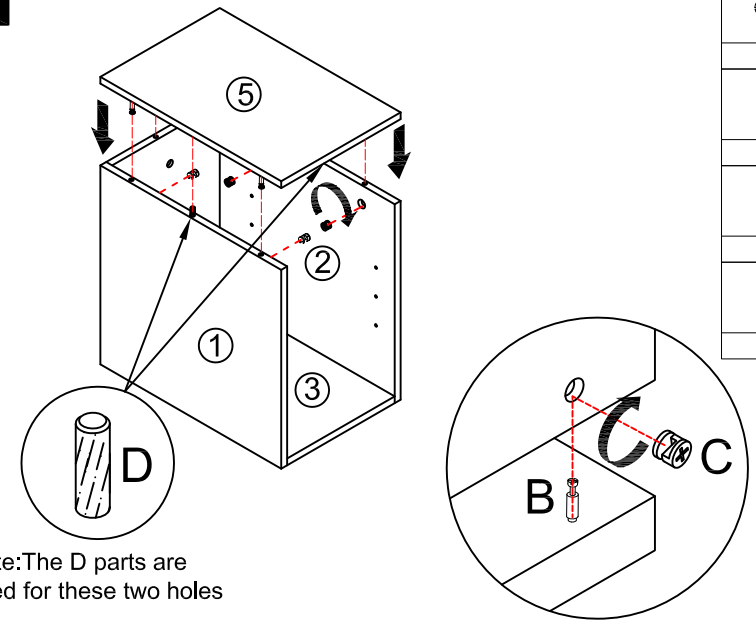


Step 2



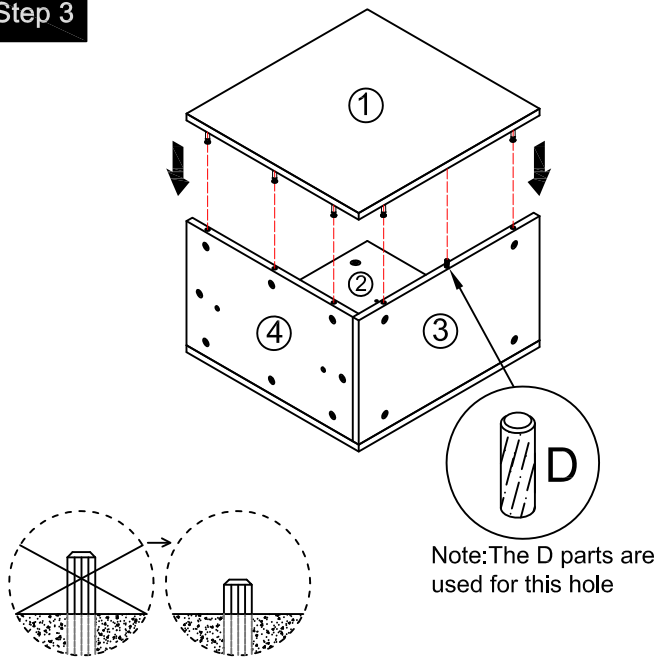
	x5
B	
	x5
C	
	x1
D	
	x1
H	

Step 4



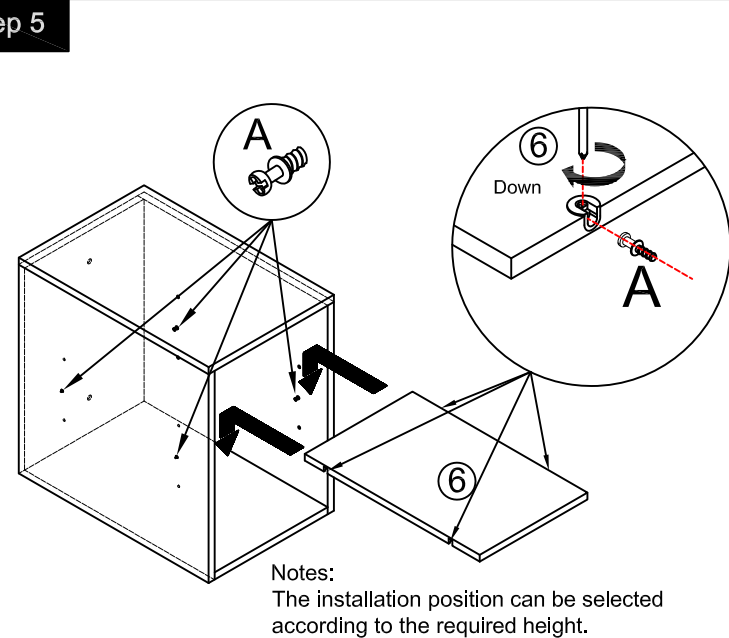
	x5
B	
	x5
C	
	x2
D	
H	

Step 3



	x5
B	
	x5
C	
	x1
D	
	x1
H	

Step 5



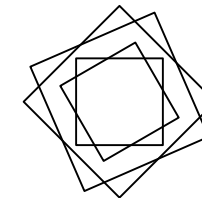
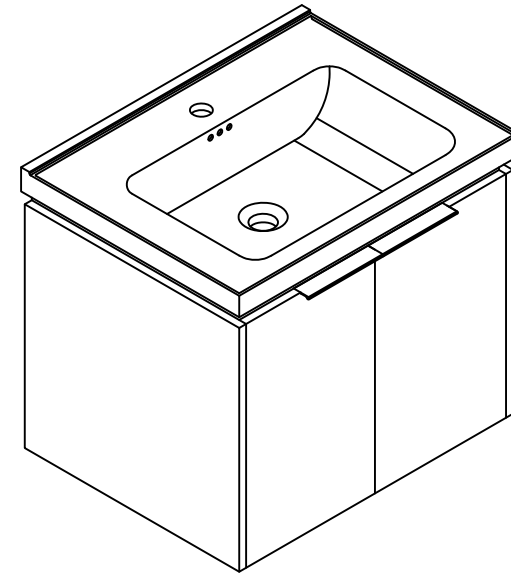
	x4
A	

Installation Manual-BV C07424

**MOTIVATE
YOUR LIFE !**

THANKS FOR WATCHING

Your feedback is invaluable to us and we would love to hear about your experience. Please take the time to leave us a review.



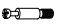


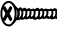




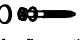




Thank you for shopping with us!

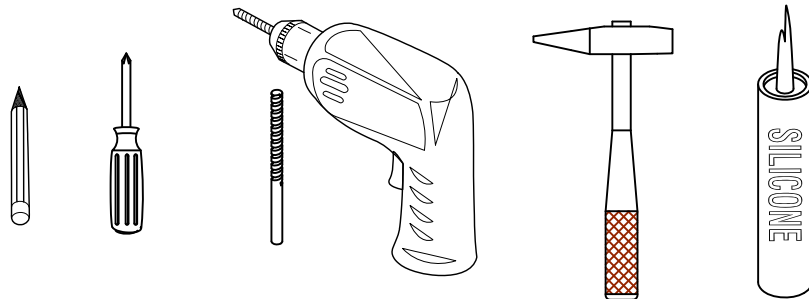
We encourage you to take a few minutes to go through this booklet. It contains important information on installation and care tips to keep your furniture looking as good as new.

Item NO.:BV C07424

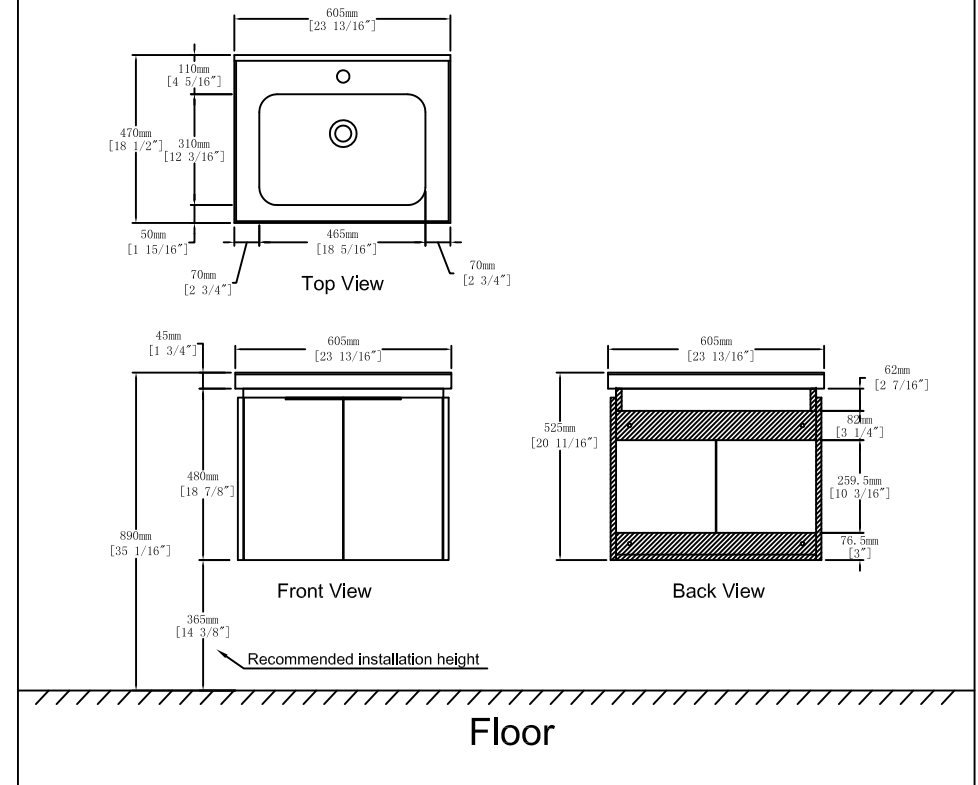
Hardware

NO.	Draw	QTY	NO.	Draw	QTY
A	 Screws Ø4x14mm	44	I	 Hinges	4
B	 Two-in-one connector	15	J	 Handle (Screws Ø4x14mm)	2
C	 Two-in-one connector	15	K	 Screws Ø4x25mm	6
D	 Wood plug	6	L	 Anti-collision gasket	4
E	 Plastic anchor(Ø10mm)	4	M	 Screwdriver	1
F	 Screws for fix on the wall	4			
G	 Bracket (53x70x44mm)	2			
H	 Bracket (19x19x35mm)	2			

Recommended tools



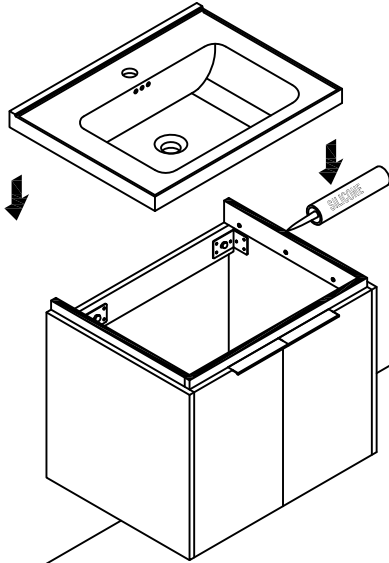
Dimensions



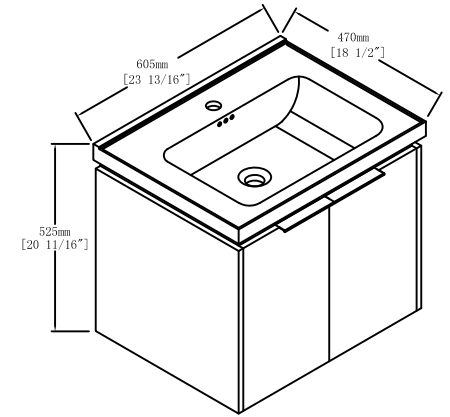
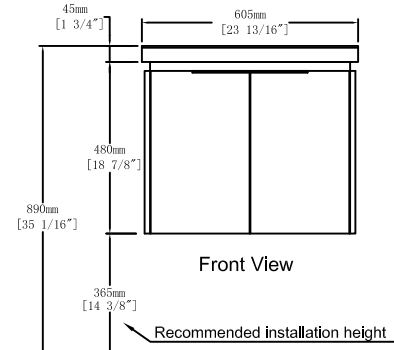
CARE CLEANING AND MAINTENANCE

1. Dust regularly with a soft , dry cloth.
2. Avoid the use of all chemicals household cleaners, abrasives, or cleaners that contain lemon, vinegar, or other acids that may damage the finish.
3. Excessive exposure to sunlight and extreme changes in temperature and moisture can damage wood furniture.
4. The sink top is resilient, but care needs to be taken to preserve its appearance.
5. Do not place hot appliances, such as curling irons and hot hair dryers directly on the countertop. Wipe spills immediately.

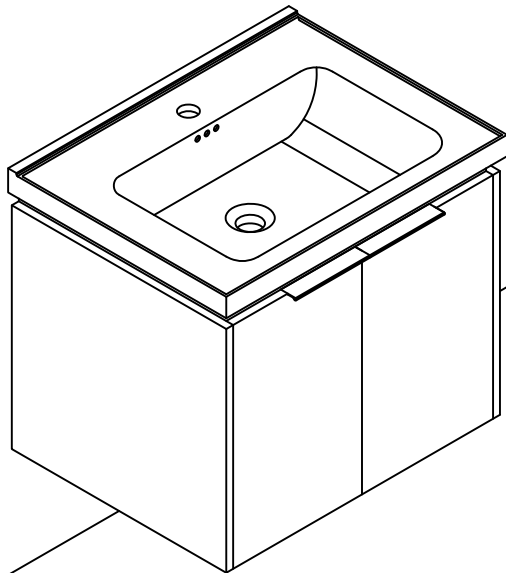
Step 13



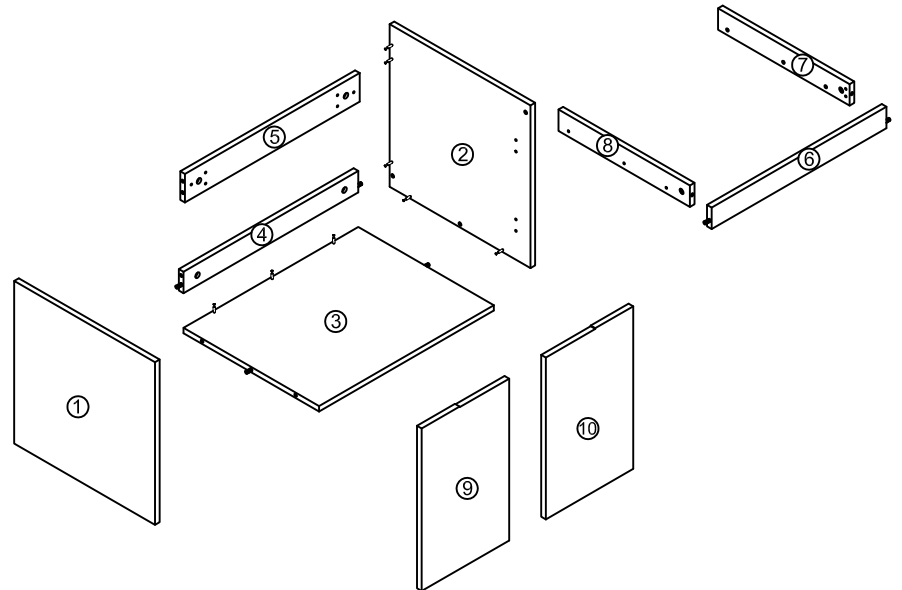
Dimensions



Finished



Components



Step 1

Notes: Screw installation depth as shown

Attention: Cam lock arrow point to the steel rod.

- B x3
- C x3
- M x1

Step 2

first step second step third step

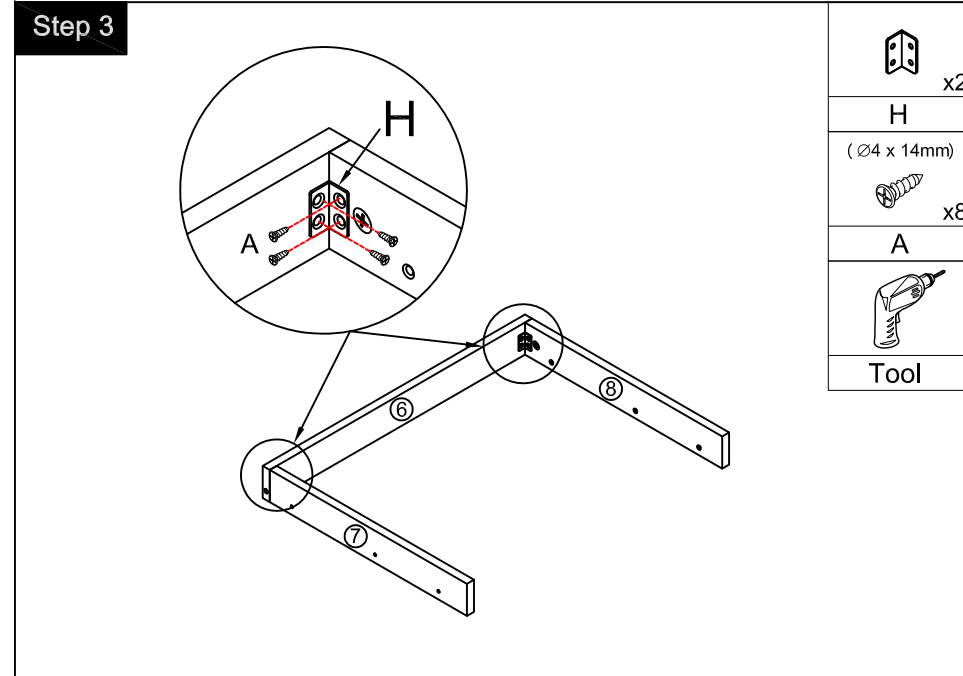
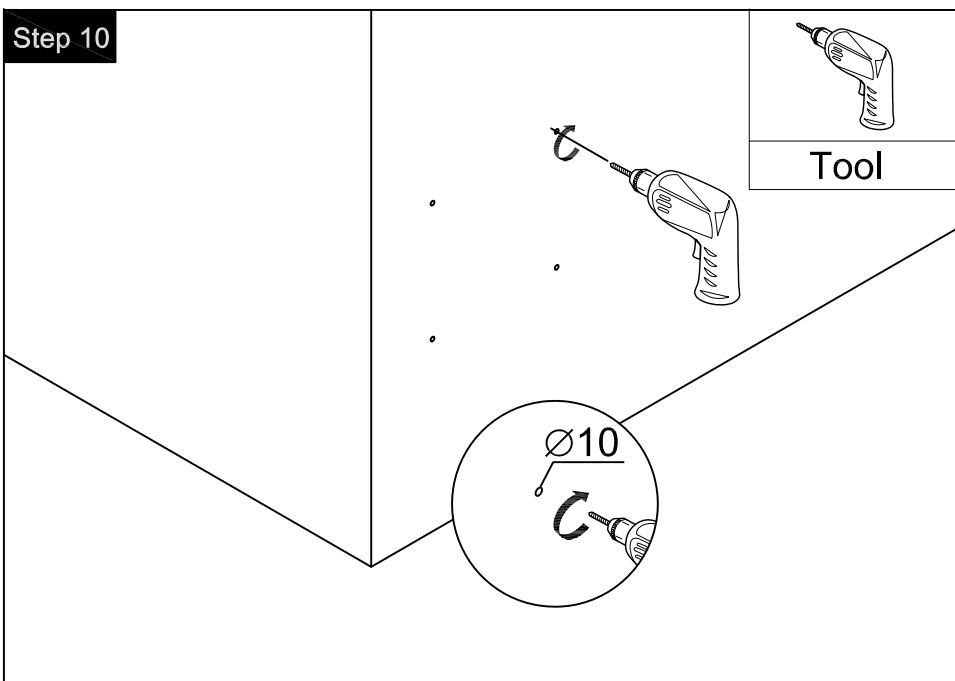
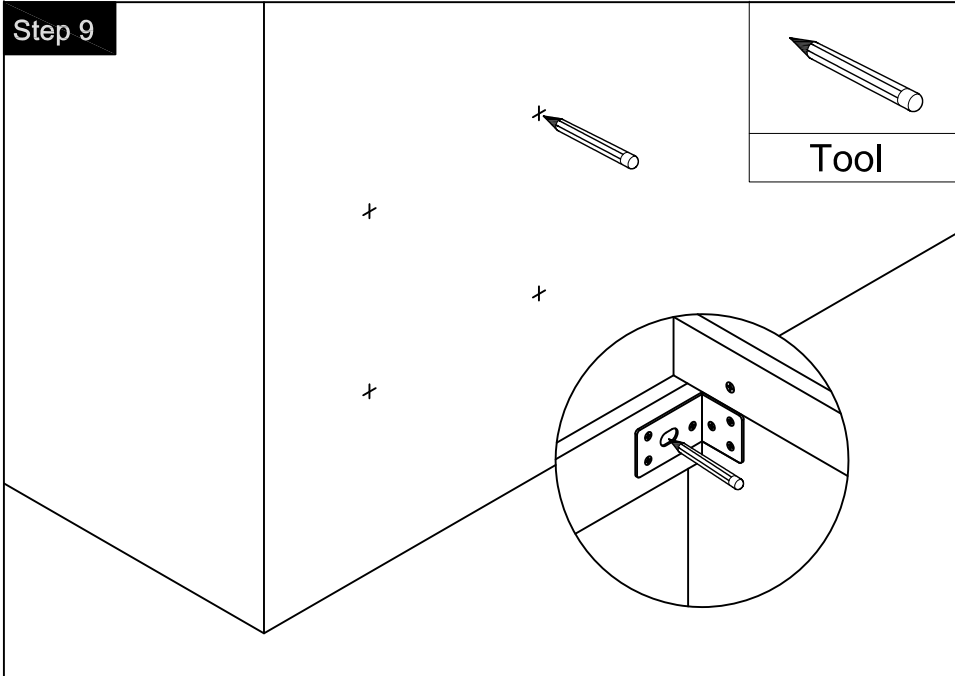
- B x2
- C x2
- M x1




Step 11

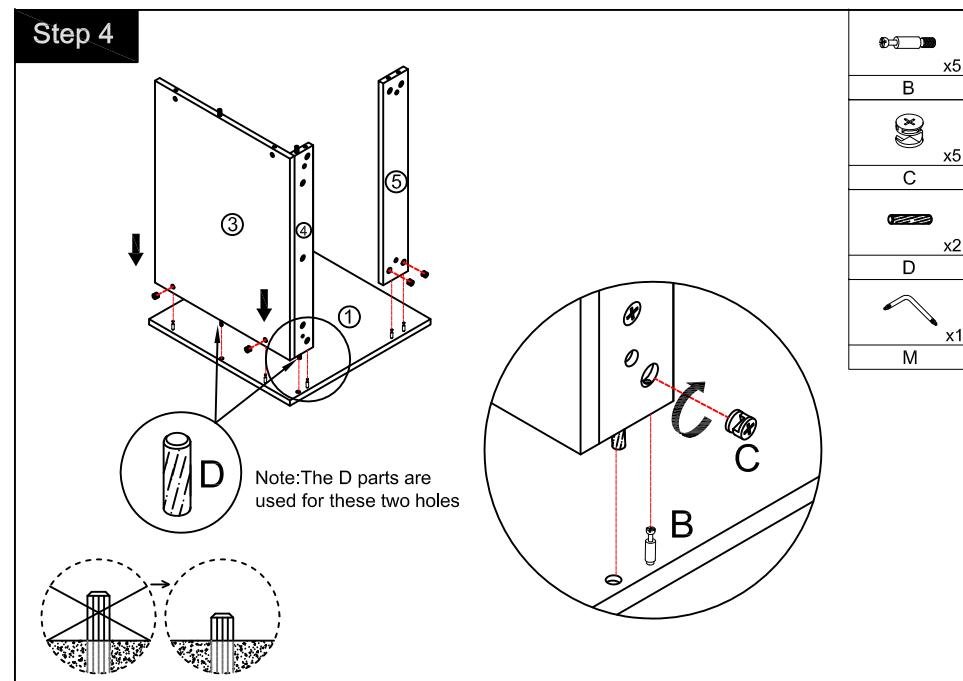
- E x4
- Tool

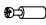



Step 12

- F x2
- Tool



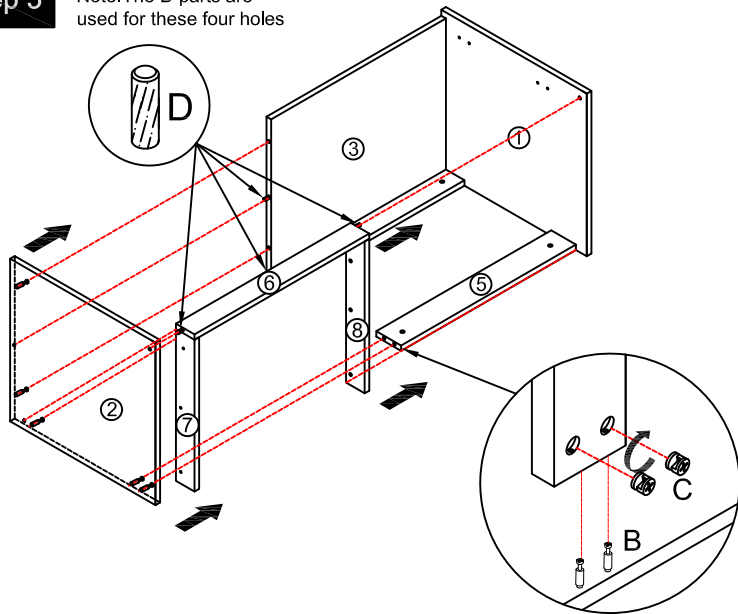
-  x2
- H**
(∅4 x 14mm)
-  x8
- A**
- 
- Tool**

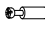





-  x5
- B**
-  x5
- C**
-  x2
- D**
-  x1
- M**

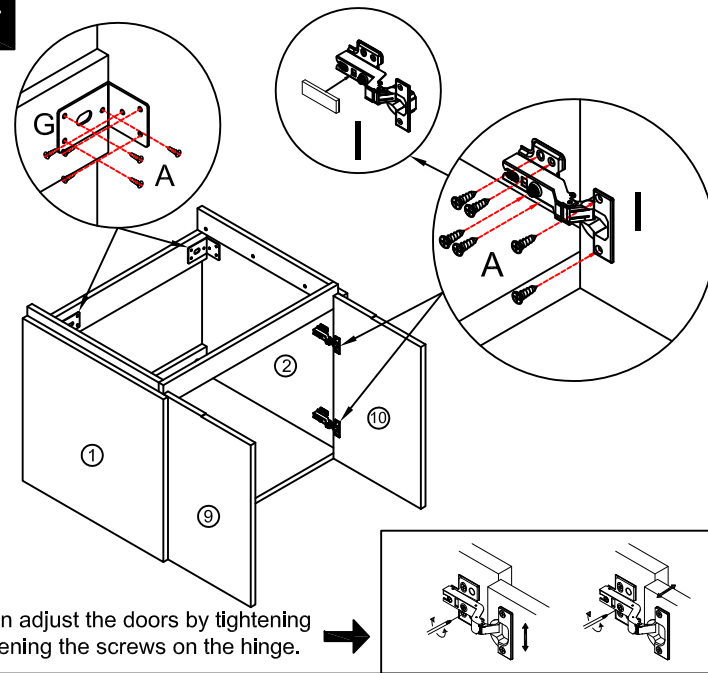
Step 5





Note: The D parts are used for these four holes



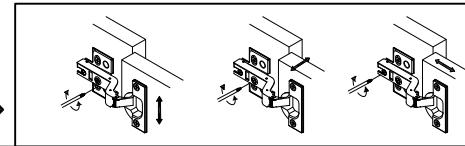
	x5
B	
	x5
C	
	x4
D	
	x1
M	

Step 7

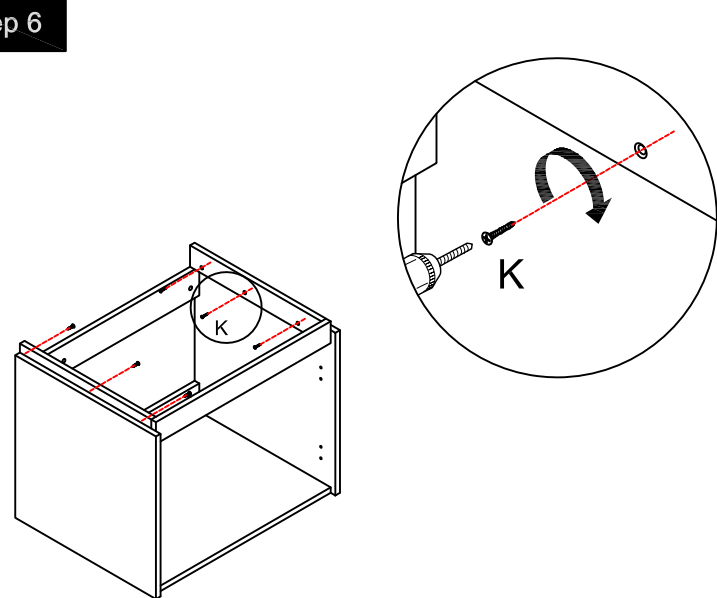




	x4
I	
($\varnothing 4 \times 14\text{mm}$)	
	x36
A	
	x2
G	
	
Tool	

You can adjust the doors by tightening or loosening the screws on the hinge. →

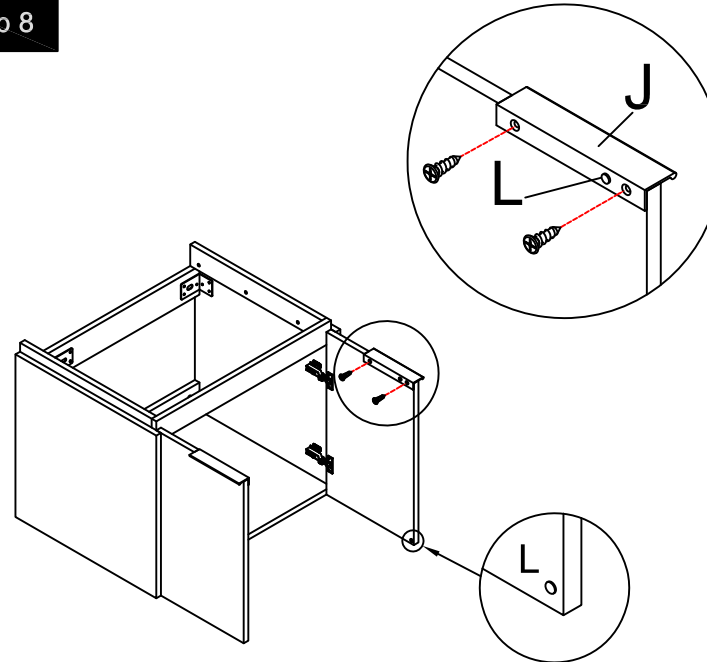





Step 6



($\varnothing 4 \times 25\text{mm}$)	
	x6
K	
	
Tool	

Step 8



	x2
J	
	x4
L	
	
Tool	