

ASSEMBLY INSTRUCTIONS



Fine Furniture for every stage of life

ARMLESS CHAIR

ASSEMBLY INSTRUCTIONS

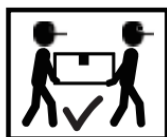
ASSEMBLY TIPS:

1. Remove hardware from box and sort by size.
2. Please check to see that all hardware and parts are present prior to start of assembly.
3. Please follow attached instructions in the same sequence as numbered to assure fast & easy assembly.



WARNING!

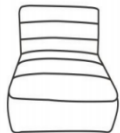

1. Don't attempt to repair or modify parts that are broken or defective. Please contact the store immediately.
2. This product is for home use only and not intended for commercial establishments.



ASSEMBLY TIME

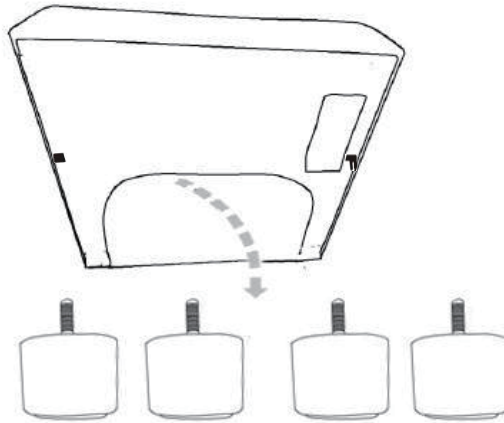
5 MINUTES

PARTS IDENTIFICATION

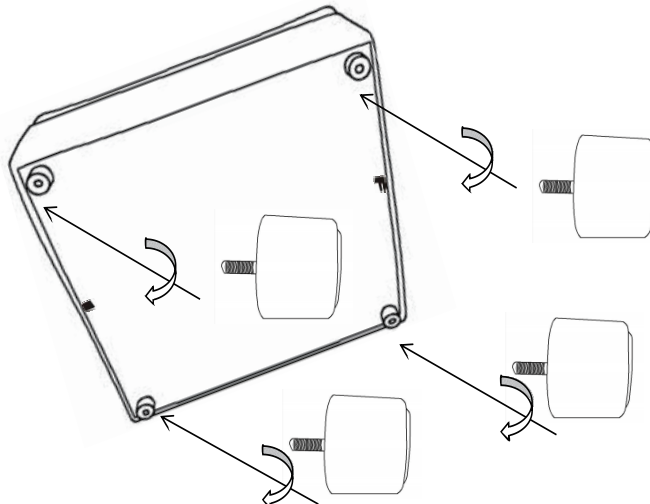
	PART NAME	FIGURE	QUANTITY
A	ARMLESS CHAIR		1PC
B	LEG		4PCS

ASSEMBLY INSTRUCTIONS

STEP 1



STEP 2

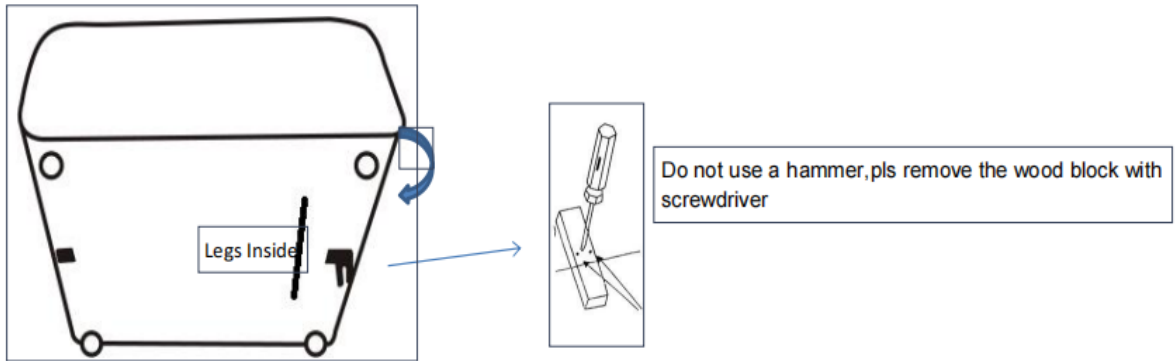


STEP 3
COMPLETE

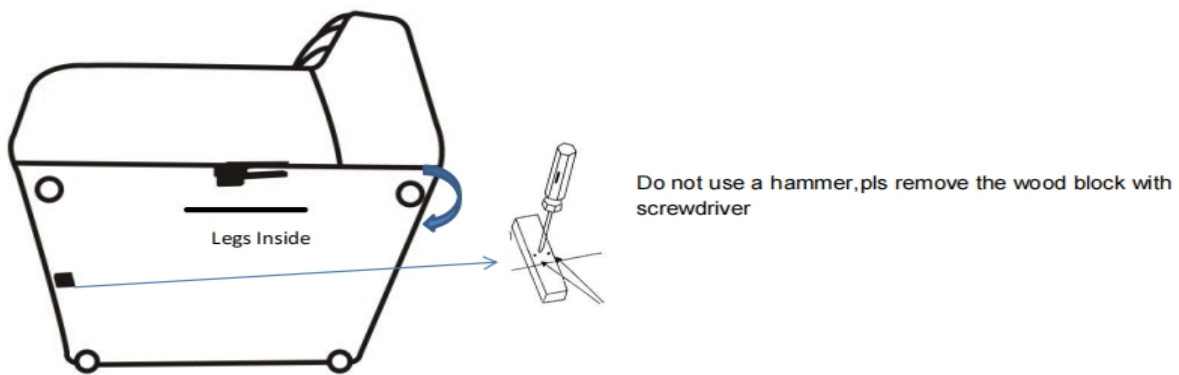


ASSEMBLY INSTRUCTIONS

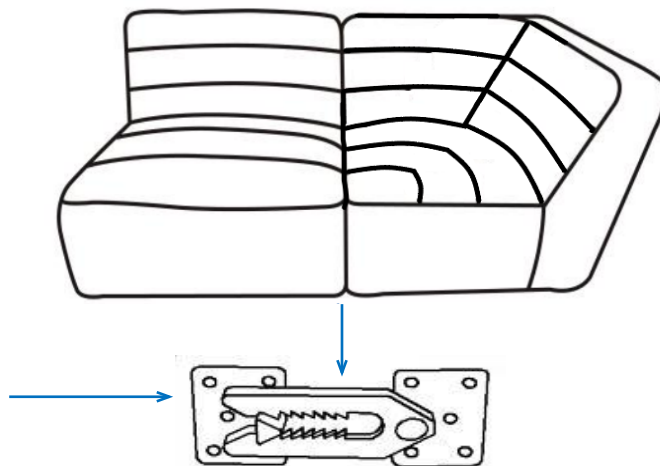
STEP 1 Turn over the item and take out the legs from zippered pouch and install the legs as pictures show

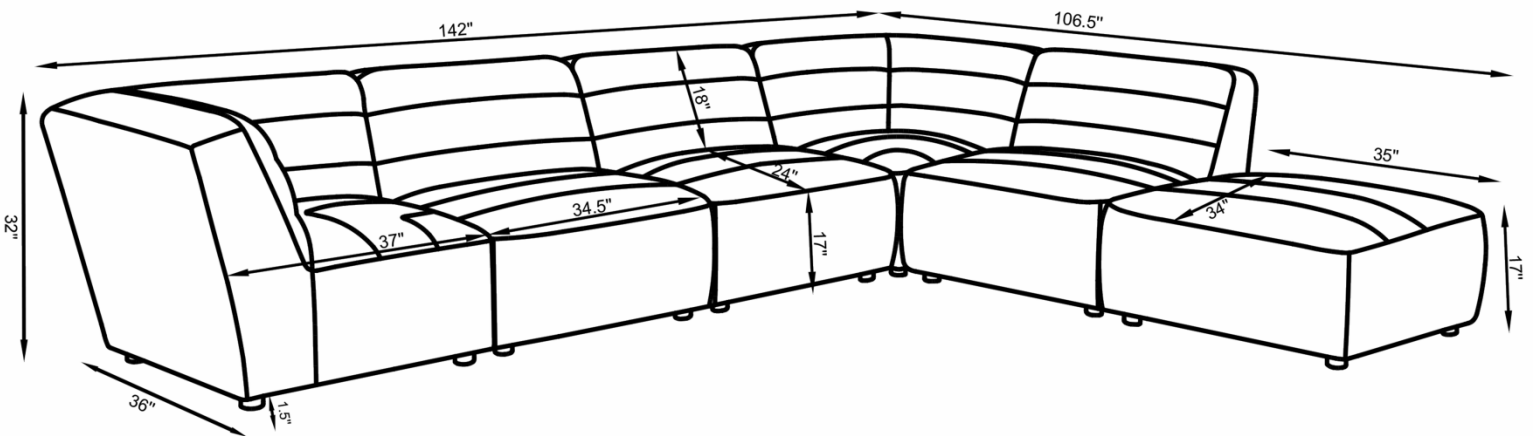
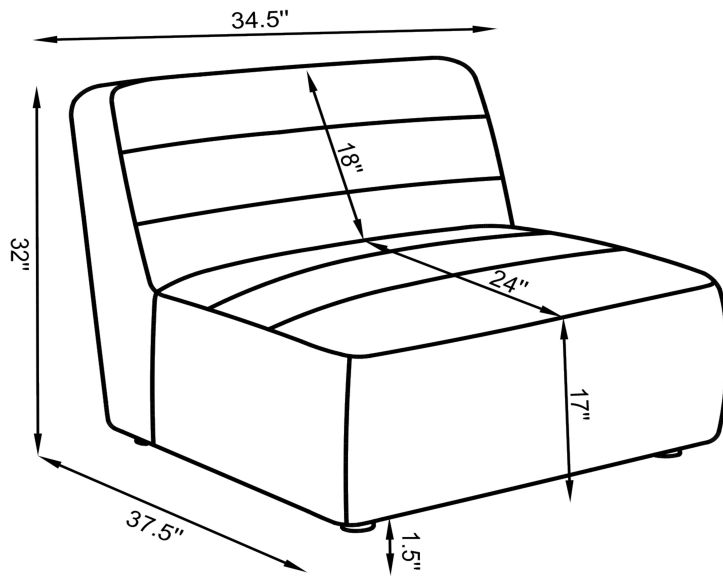


STEP 2



STEP3: Insert the metal grooves to connect other units as pictures show





Note: Dimension tolerance $\pm 5\%$



ASSEMBLY INSTRUCTIONS



Fine Furniture for every stage of life

CORNER

ASSEMBLY INSTRUCTIONS

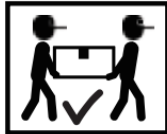
ASSEMBLY TIPS:

1. Remove hardware from box and sort by size.
2. Please check to see that all hardware and parts are present prior to start of assembly.
3. Please follow attached instructions in the same sequence as numbered to assure fast & easy assembly.



WARNING!


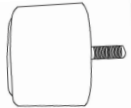
1. Don't attempt to repair or modify parts that are broken or defective. Please contact the store immediately.
2. This product is for home use only and not intended for commercial establishments.



ASSEMBLY TIME

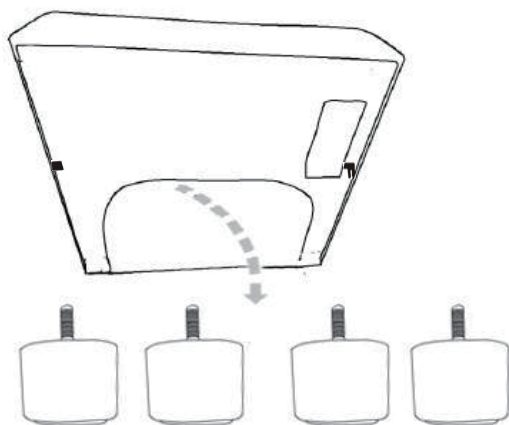
5 MINUTES

PARTS IDENTIFICATION

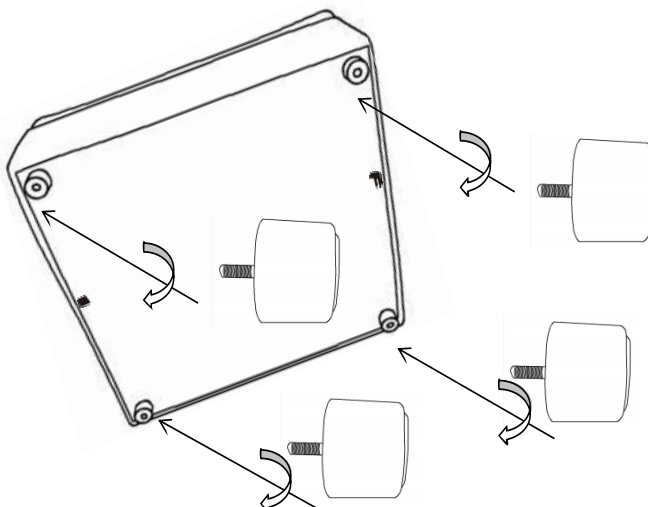
	PART NAME	FIGURE	QUANTITY
A	CORNER		1PC
B	LEG		4PCS

ASSEMBLY INSTRUCTIONS

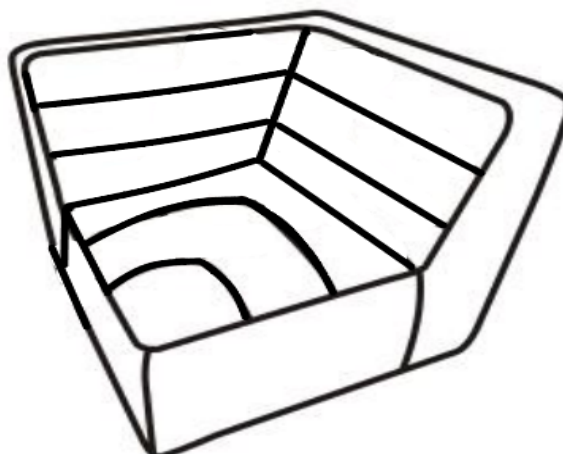
STEP 1



STEP 2

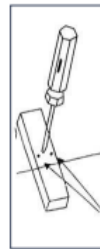
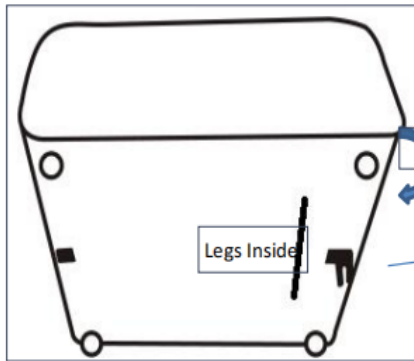


STEP 3
COMPLETE



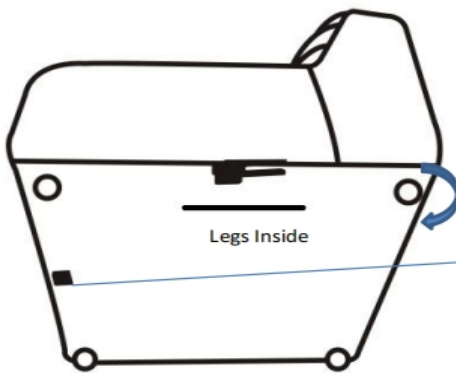
ASSEMBLY INSTRUCTIONS

STEP 1 Turn over the item and take out the legs from zippered pouch and install the legs as pictures show



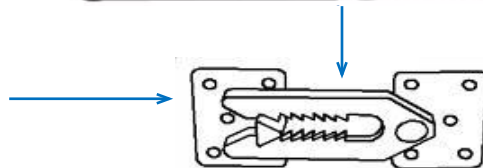
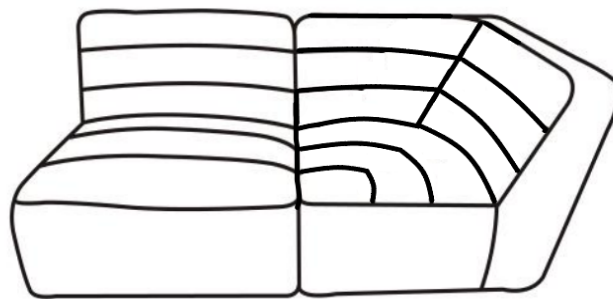
Do not use a hammer, pls remove the wood block with screwdriver

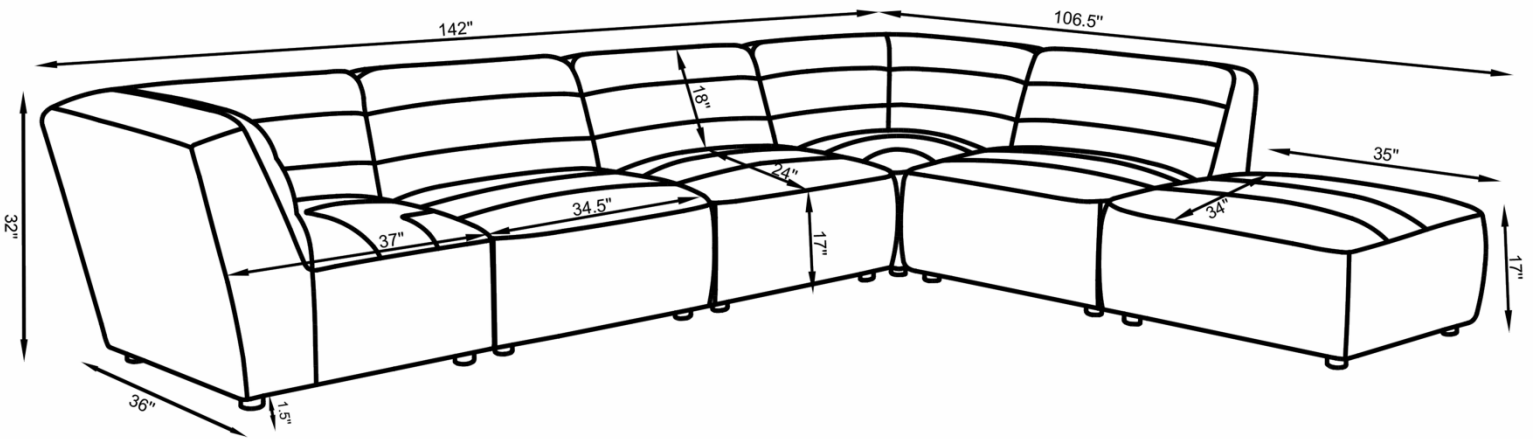
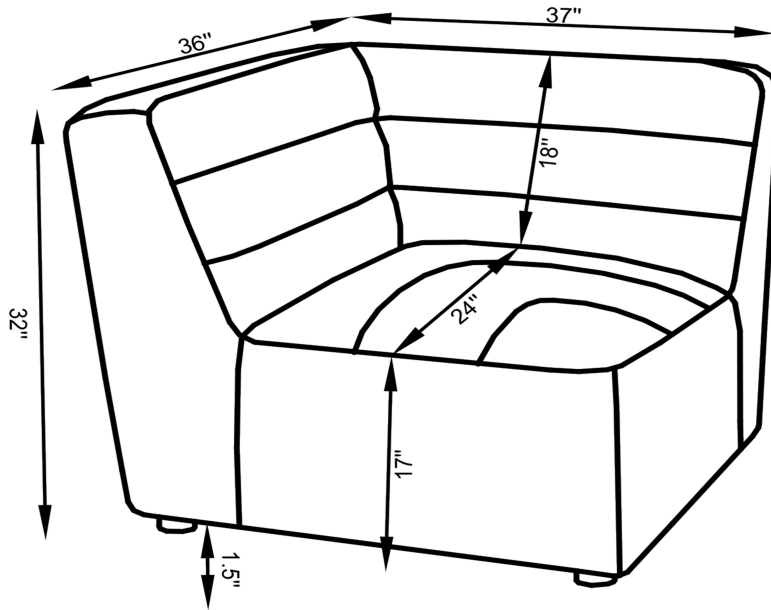
STEP 2



Do not use a hammer, pls remove the wood block with screwdriver

STEP3: Insert the metal grooves to connect other units as pictures show





Note: Dimension tolerance $\pm 5\%$



ASSEMBLY INSTRUCTIONS



Fine Furniture for every stage of life

OTTOMAN

ASSEMBLY INSTRUCTIONS

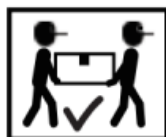
ASSEMBLY TIPS:

1. Remove hardware from box and sort by size.
2. Please check to see that all hardware and parts are present prior to start of assembly.
3. Please follow attached instructions in the same sequence as numbered to assure fast & easy assembly.



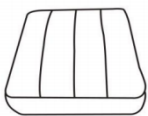
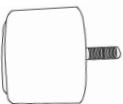
WARNING!

1. Don't attempt to repair or modify parts that are broken or defective. Please contact the store immediately.
2. This product is for home use only and not intended for commercial establishments.



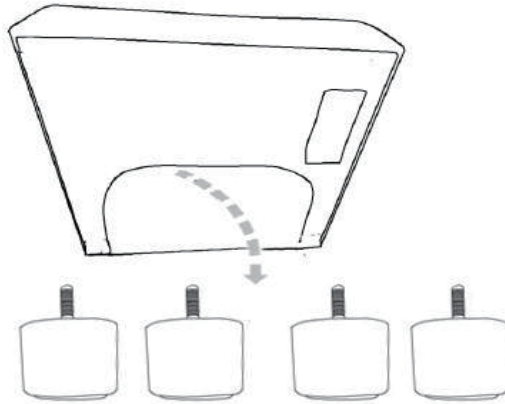
ASSEMBLY TIME **5 MINUTES**

PARTS IDENTIFICATION

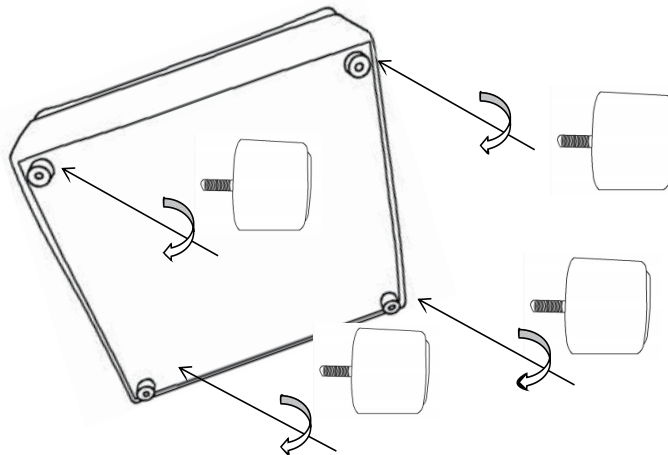
	PART NAME	FIGURE	QUANTITY
A	OTTOMAN		1PC
B	LEG		4PCS

ASSEMBLY INSTRUCTIONS

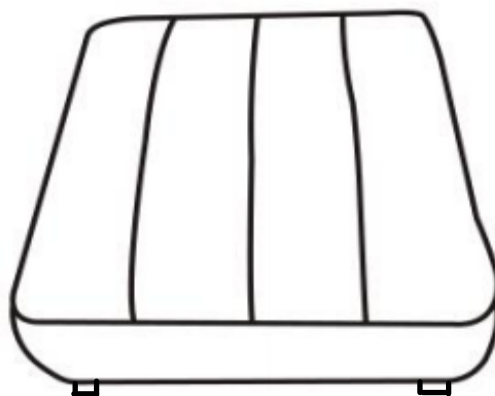
STEP 1

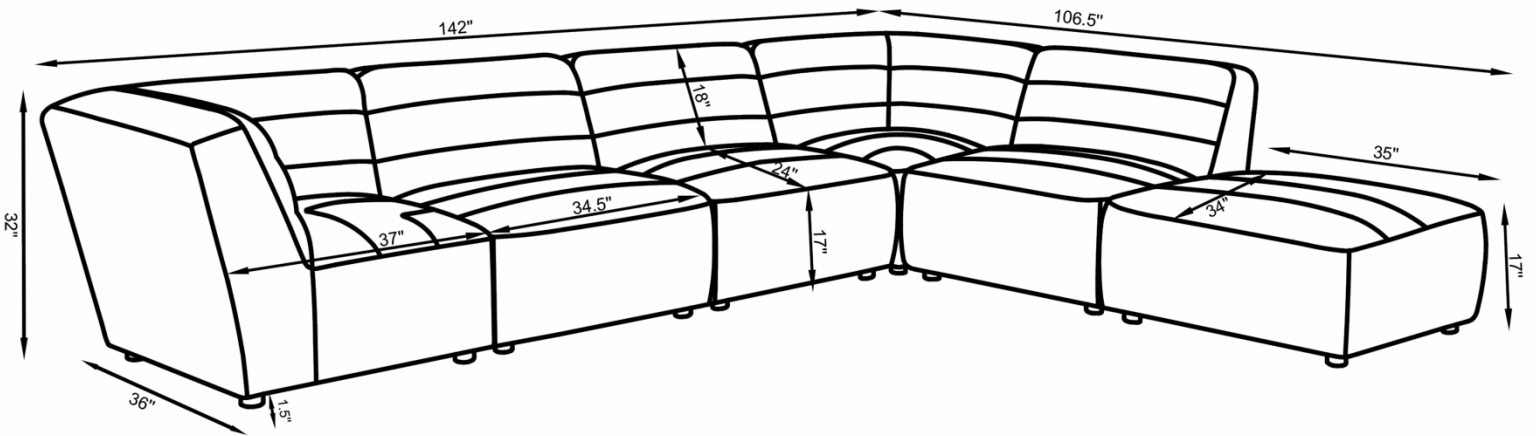
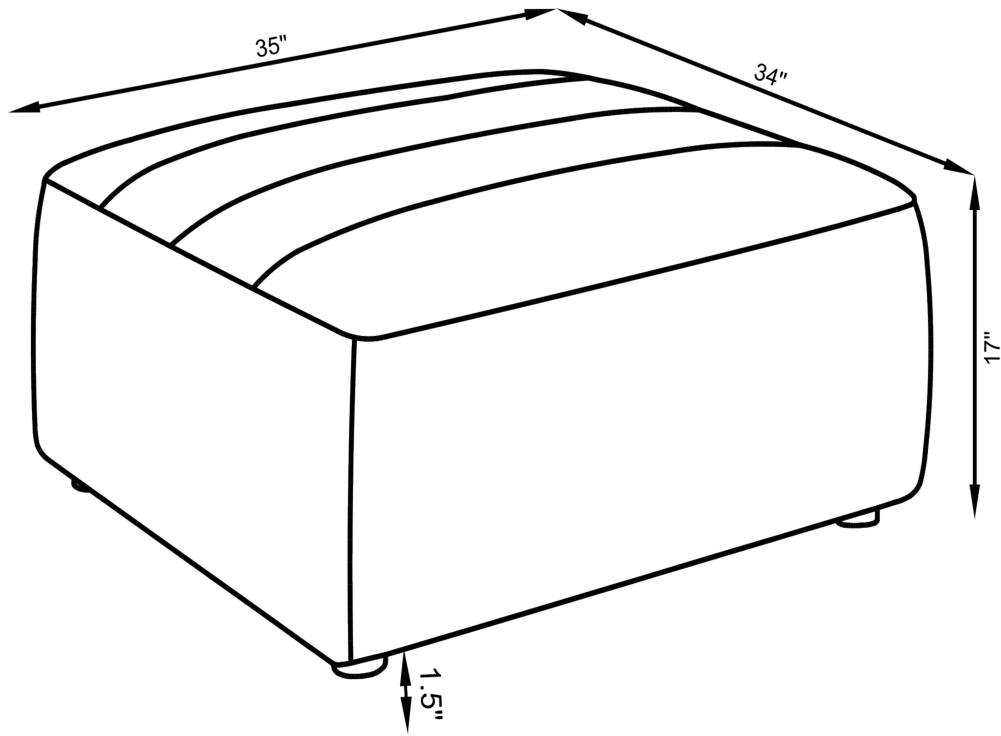


STEP 2



STEP 3
COMPLETE





Note: Dimension tolerance $\pm 5\%$

