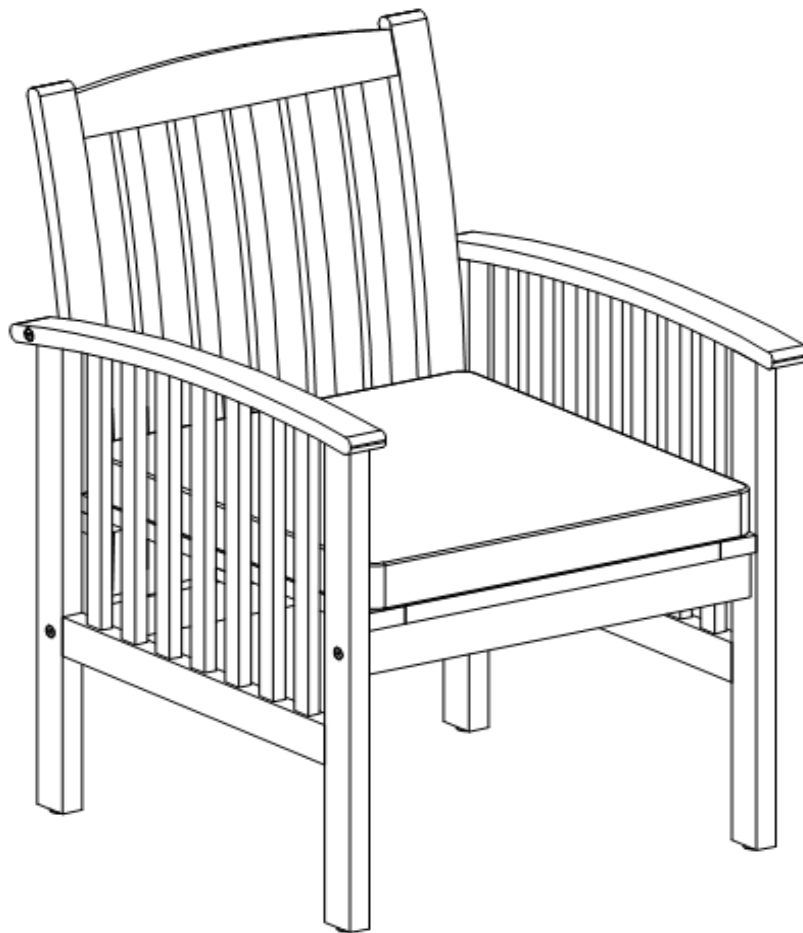


Assembly Instructions

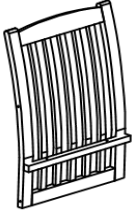

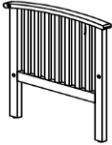

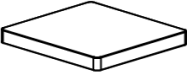
CAUTION: You must read this before you proceed

CHAIR






CAUTION: This Chair is NOT a TOY. Keep your child / children at bay in the process of assembly. For turning the Chair and to prevent damage to the Chair, 02 persons may be needed to execute this action.

Parts List

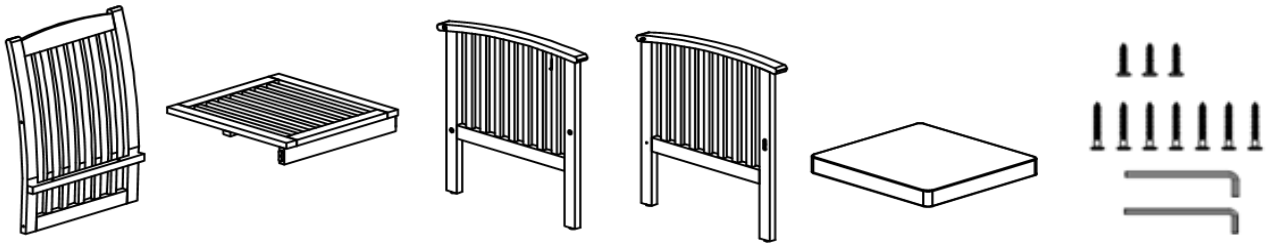
Label	Picture	Description	Qty
A		Backrest Panel	1
B		Seat Panel	1
C		Left Leg Panel	1
D		Right Leg Panel	1
E		Seat Cushion	1






Hardware

No.	Picture	Description	Qty
①		Allen Key	2
②		Screw (M6*35mm)	3
③		Screw (M7*70mm)	7

Assembly Preparation

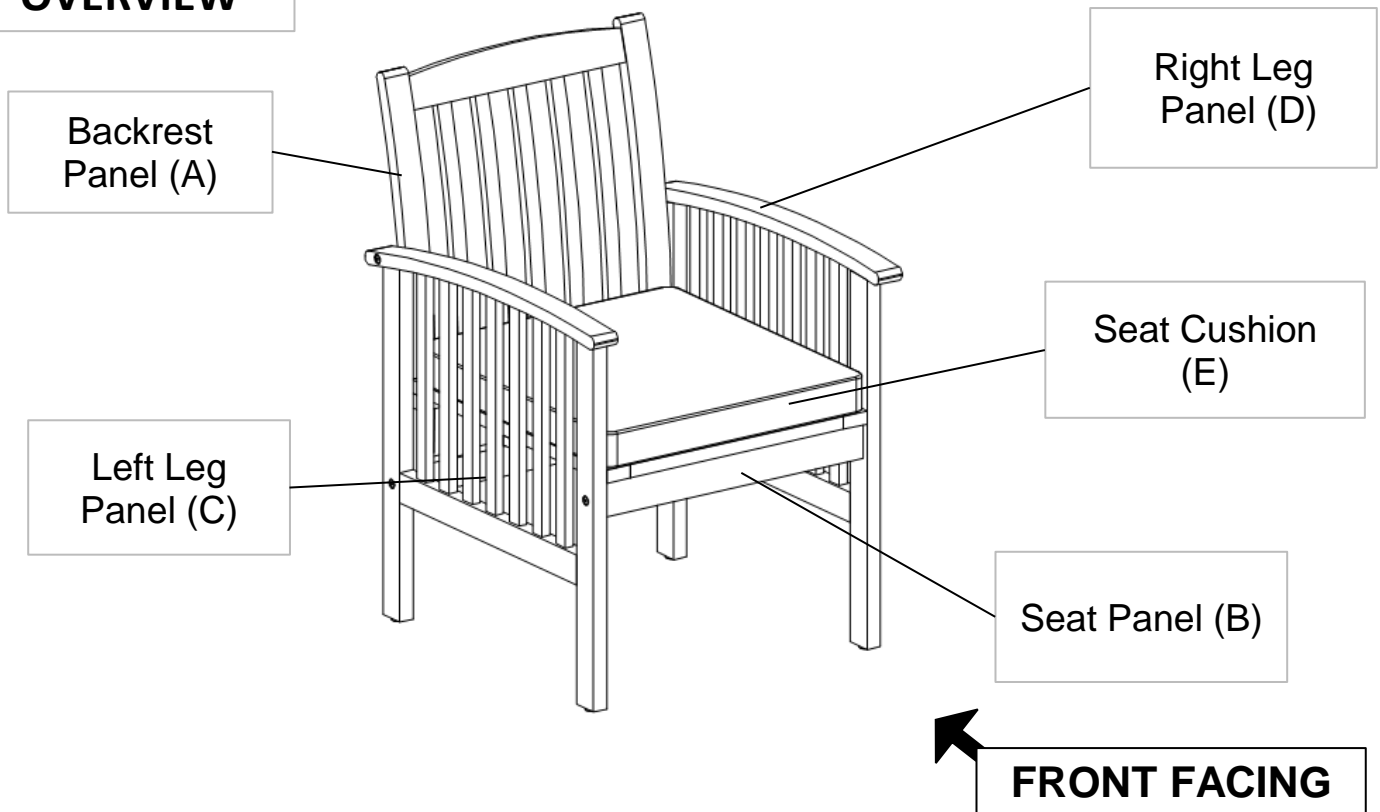
Before Beginning Assembly:



-  • Read instructions, cover to cover-
-  • Have 2 adults on hand for assembly-
-  • Do not assemble on flooring or carpet-
-  • Assemble on a clean non-marring surface (packing foam)-
-  • Save all packaging until finished-

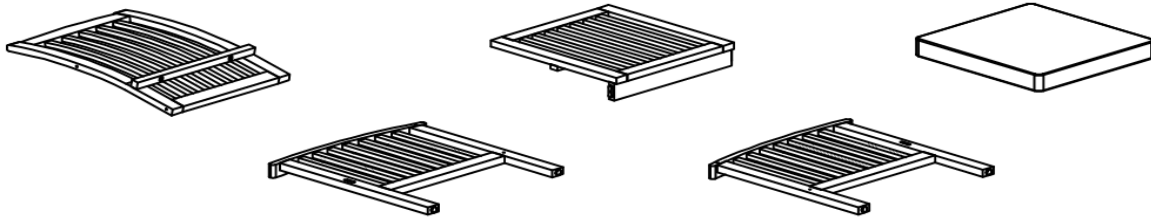
Assembly Steps

OVERVIEW



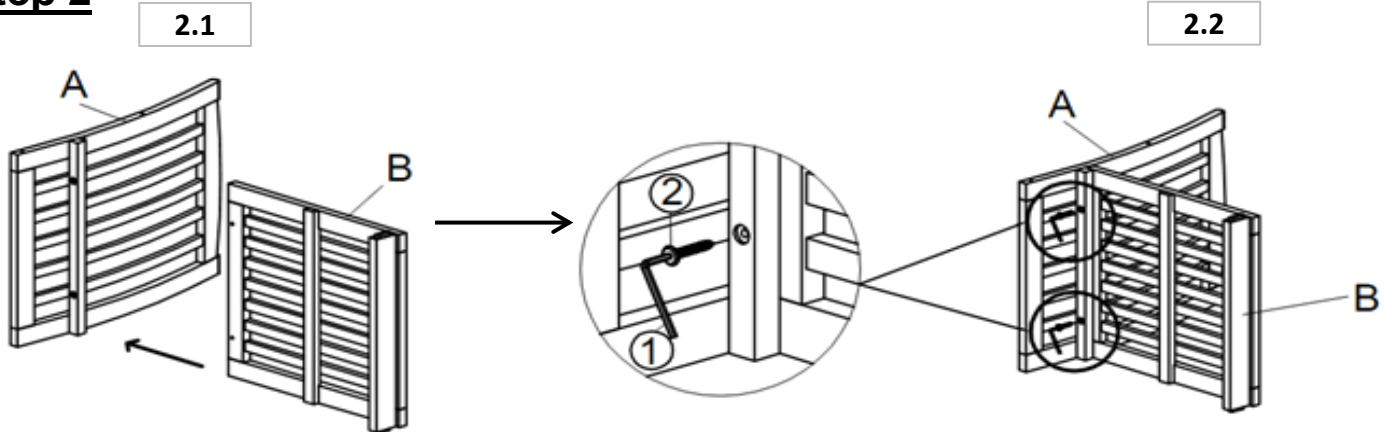
This Chair has multiple parts and may require up to some 30 minutes to assemble. To give you an overview of the Chair the above picture to assemble to help you put the various parts into perspective. Please read through the instructions here below to familiarise the parts and steps before assembly.

Step 1



Unpack and place all parts on a clean, non-marring surface.

Step 2

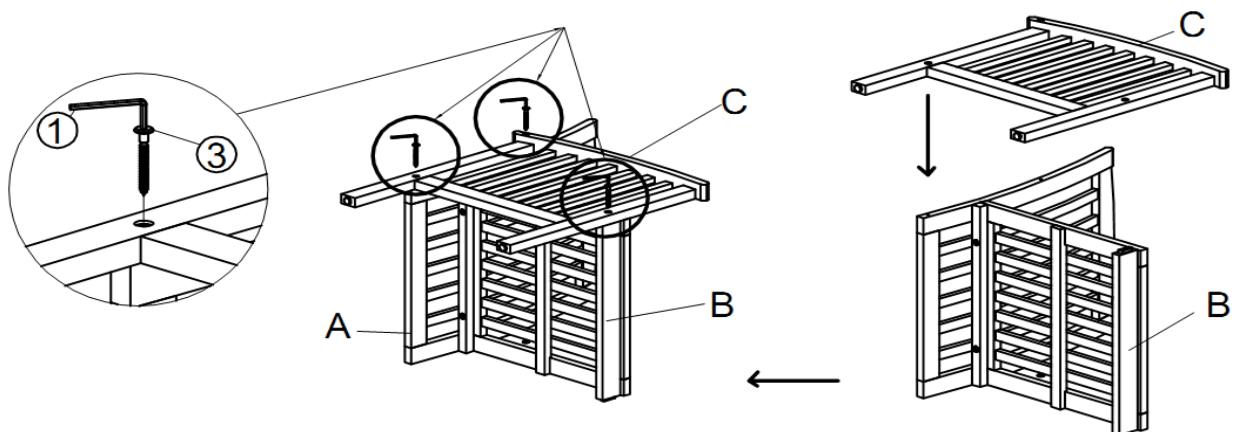


2.1) Position Seat Panel (B) to Backrest Panel (A) as shown in the above picture.

2.2) Secure Seat Panel (B) with Backrest Panel (A) using 2 Screws (2) + Allen Key (1)

Do not fully tighten the Screws.

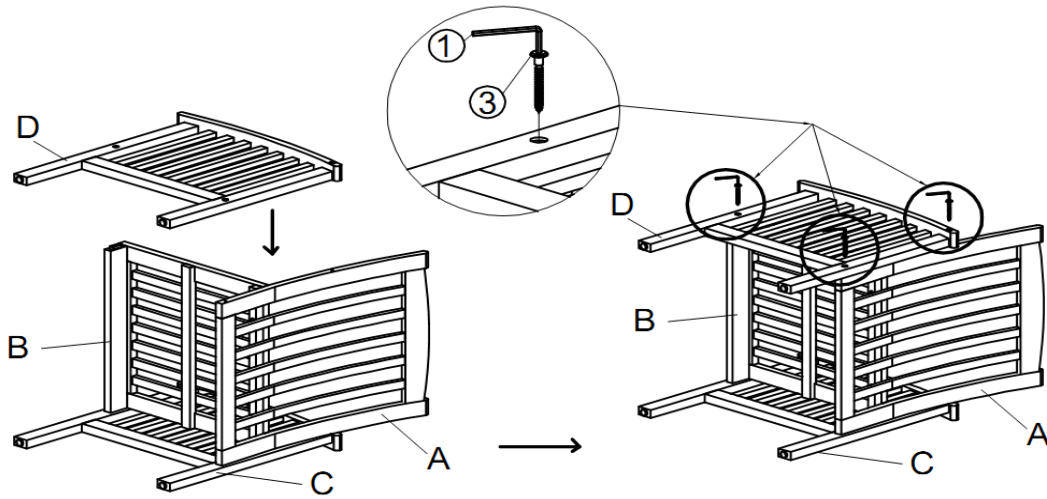
Step 3



Attach Left Leg Panel (C) to Backrest Panel (A) and Seat Panel (B) using 3 Screws (3) + Allen Key (1).

Do not fully tighten the Screws.

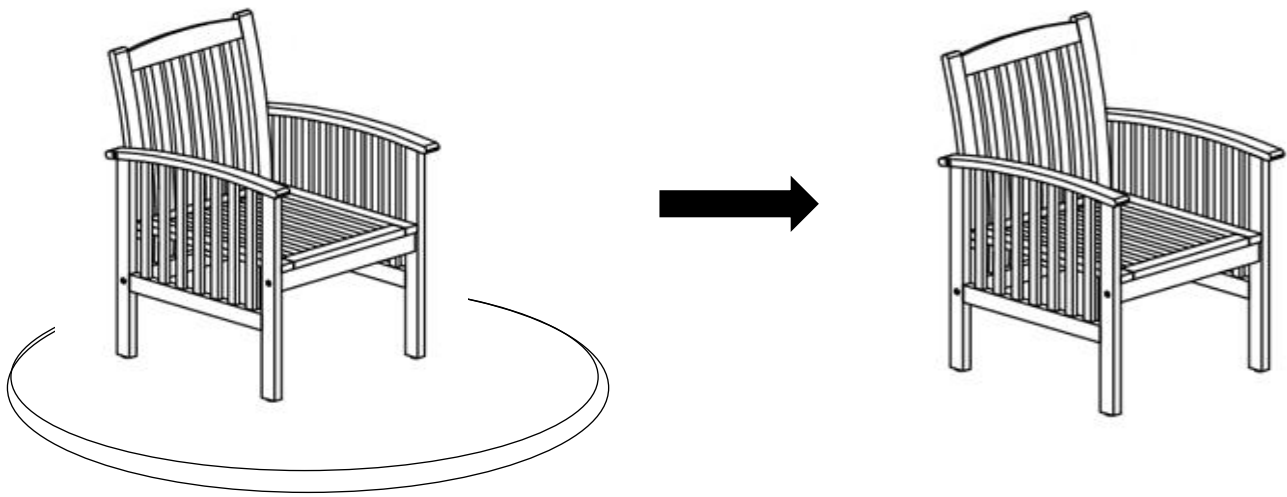
Step 4



With assistance from your adult partners, turn the Chair into the other side. Repeat the same process of step 3 to secure Right Leg Panel (D) with Backrest Panel (A) and Seat Panel (B).

Do not fully tighten the Screws.

Step 5



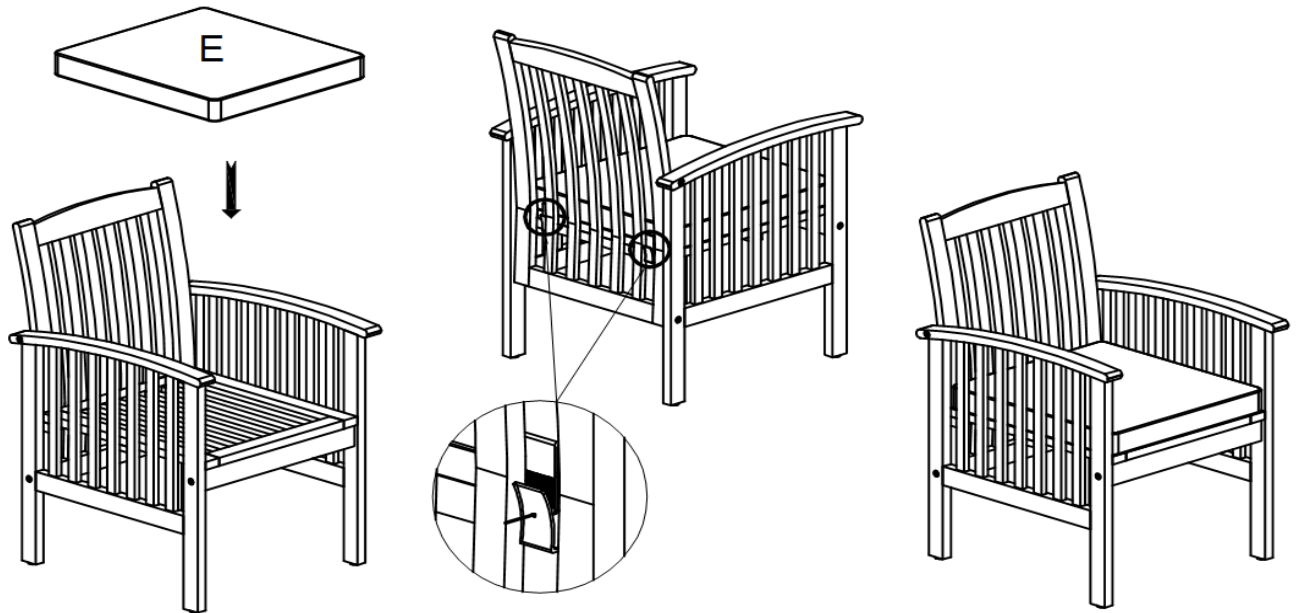
Stand the Chair up, with assistance from your adult partner. Exert pressure floorwards, onto the Chair with both your hands. This pressure will help the Legs and Chair reach full alignment status. Check for wobbles on a LEVEL surface.

If no wobbles are found proceed to tighten Screws in a sequential manner, until evenly secured.

When tightening Screws tighten sequentially.

Do not tighten any Screw fully and then move on towards the next one. If there are still wobbles, loosen Screws and execute the same above process.

Step 6












Place Seat Cushion (E) on to the Chair and tie the velcro straps of Seat Cushion (E) to Backrest Panel (A) as shown above.

Your Chair is ready for use.

This Chair can only be used on a flat, level surface.

Care & Maintenance

- ⊘  ● Do not put hot items directly on furniture surface.
 - ⊘  ● Do not clean furniture with harsh cleansers or polish.
 - ✓  ● To obtain the longest lifespan of your outdoor products, minimizing exposure to direct sunlight is recommended.
 - ⊘  ● Children should not climb or jump on the furniture.
 - ⊘  ● Do not write on furniture without a padded barrier to protect the surface.
 - ✓  ● To obtain the longest lifespan of your outdoor products, avoid extended and lengthy exposure to rain, snow, and direct sunshine. Whenever possible cover the product and /or place under patio or awnings.
 - ⊘  ● Not for commercial use. For residential use only.
 - ⊘  ● Stains may be removed with mild soap solution and damp cloth.
 - ✓  ● Dust and pick-up spills using a clean, non-colored, lint-free cloth .
-