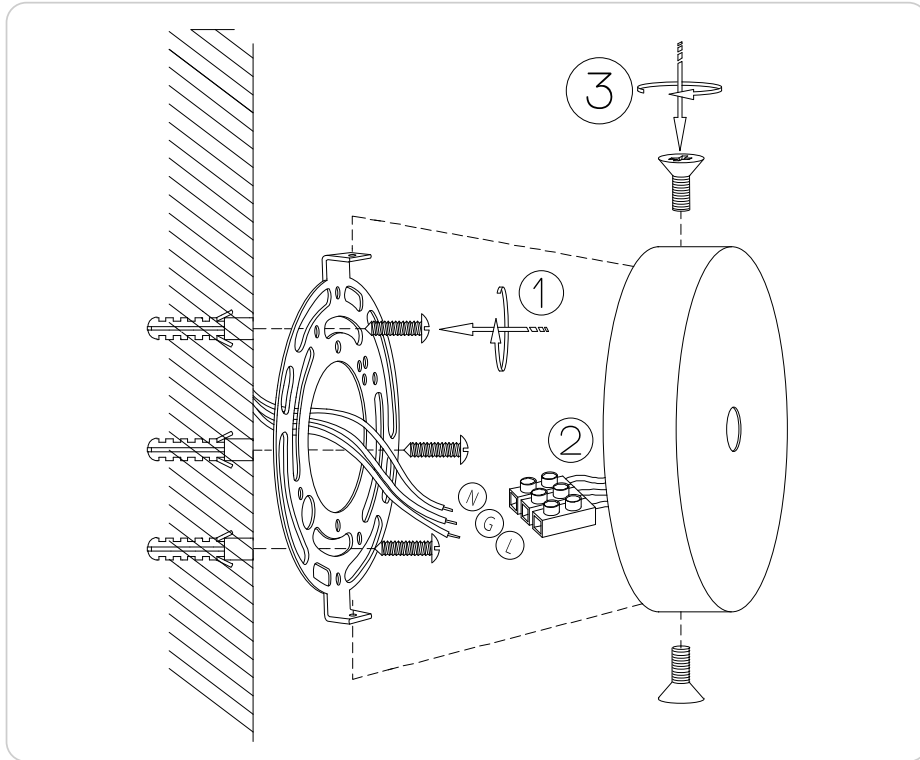


Ceiling Base Assembly



- ① Fix the hanging bracket on the ceiling or wall by screws clockwise. (See the picture).
- ② After turning off the power, connect the electric wires to the right terminals.
- ③ Fix the base to the corresponding screw holes in the hanging bracket with screws (Figure).



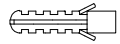
GLASS PENDANT LIGHT

INSTRUCTION MANUAL

note: If you found the damaged accessories please contact us for free replacenten

Product Parts

■ Classic Model



x4



x3



x4



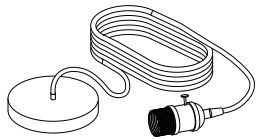
x2



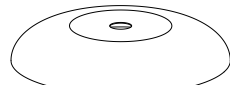
x2



x1



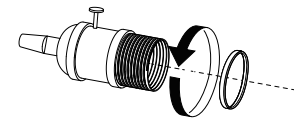
x1



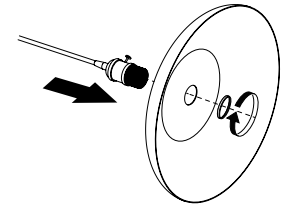
x1

Lamp shade and switch

■ Lamp cover assembly



1. Remove the ring



2. Install the lamp cover and tighten the ring.

■ On/Off Switch

