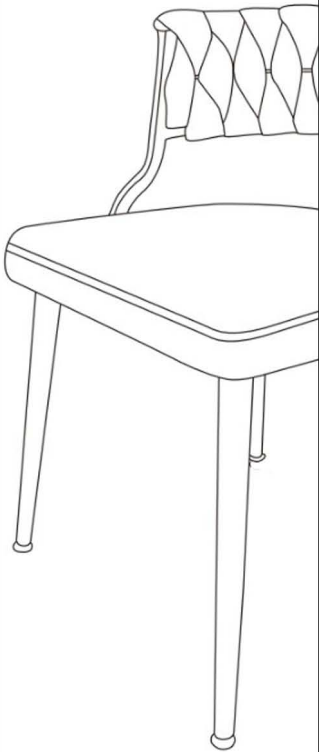


# Owner Manual



# WARRANTY

We strive to offer high quality product and we also try our best to satisfy each customer that order from us, no matter on products or services as needed. Each customer receives a record of their order, such as the order number or item receipt. For any items that are out of warranty period, you may still be able to purchase the replacement parts from our company if they are available.



# MAINTENANCE AND WARNING

Please read the manual thoroughly  
before you start installing.

Please keep the product away from  
sharp object.

Packaging and small parts may have  
chocking hazard, please keep them away  
from children and pets.

Please clean the product according to each  
clean code, check the product description  
for more information.

Please keep the product away from  
fire.

If you have any other questions, please  
contact us, we will be glad to help you out.

If the product is placed under direct  
sunlight, the pattern or color might fade  
away overtime.

Check the product periodically to make  
sure everything is secured and tightened.

Always use proper tools for installation.

Do not jump on the product.



# PRODUCT DESCRIPTION

Color and texture are smooth on the velvet fabric, creating a great environment effect

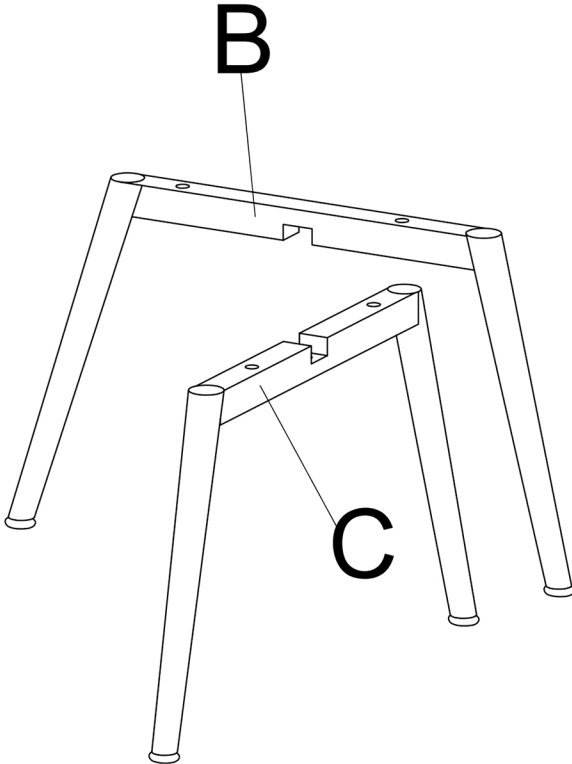
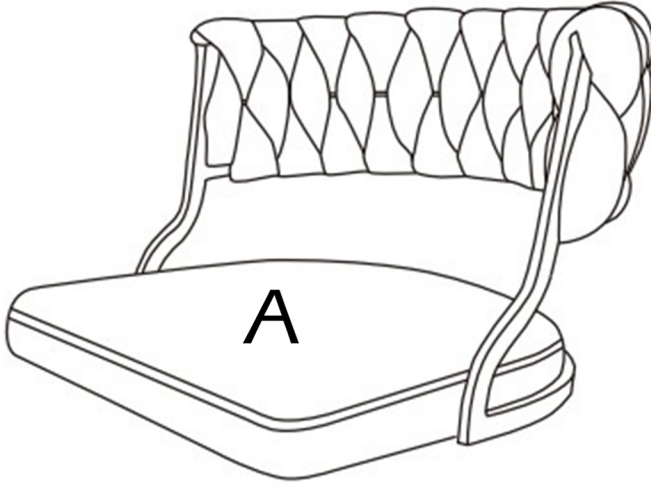
The shape of the seat and back fit the body outline, giving the body solid support

Standing on hard floor without shaking or falling, the firmly structure and strong standing base are the core.

Delicate outlook, perfect for any place to put, doesn't matter its personal or commercial.

It is constructed with a high-quality sturdy metal frame that lasts long.

# EXPLODED VIEW



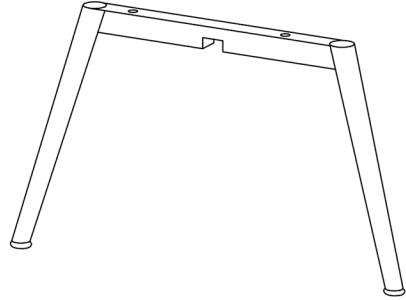
# PARTS

A\*2



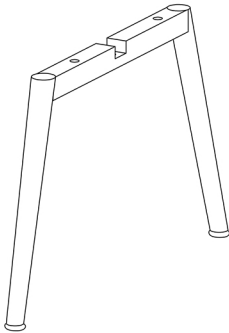
Seat frame

B\*2



Metal legs

C\*2



Metal legs

# HARDWARE

## TOOL LIST

NOTE: Designated with (★) We provide additional spare parts in the hardware package

①\*2



M6\*30mm  
Bolts

②\*8



M6\*45mm  
Bolts

③\*1

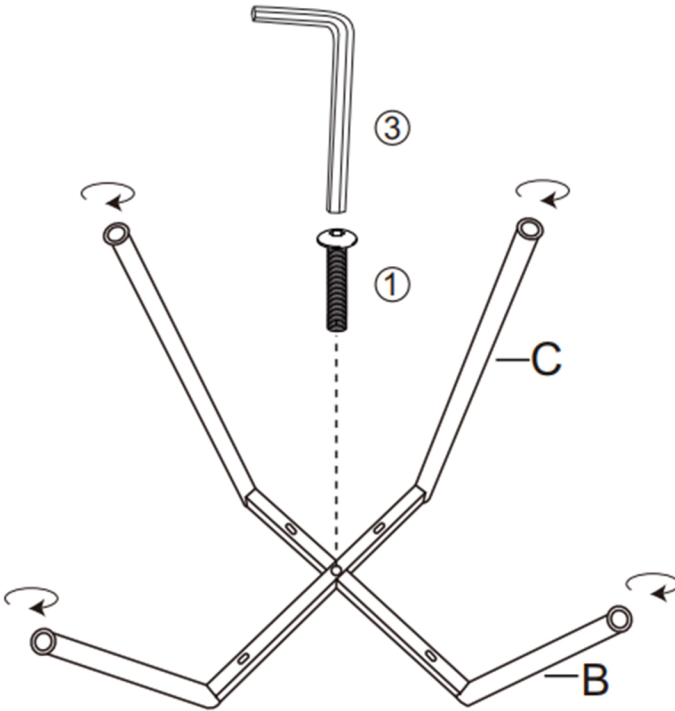


M6  
Allen key

Please make sure all hardware & packing material fitting the list. Especially some small accessories may be missing during transportation. Please contact us if you have any question.

# step 1

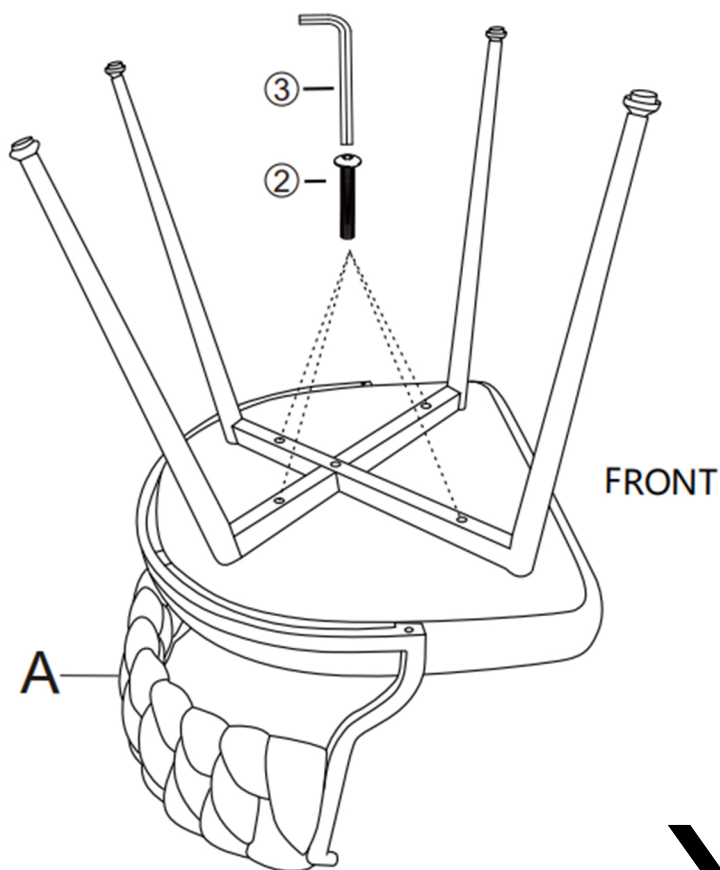
Attach the metal leg (C) to the metal leg (B) using bolt (1) and Allen wrench(3),tighten the bolt fully.



# X2

# step 2

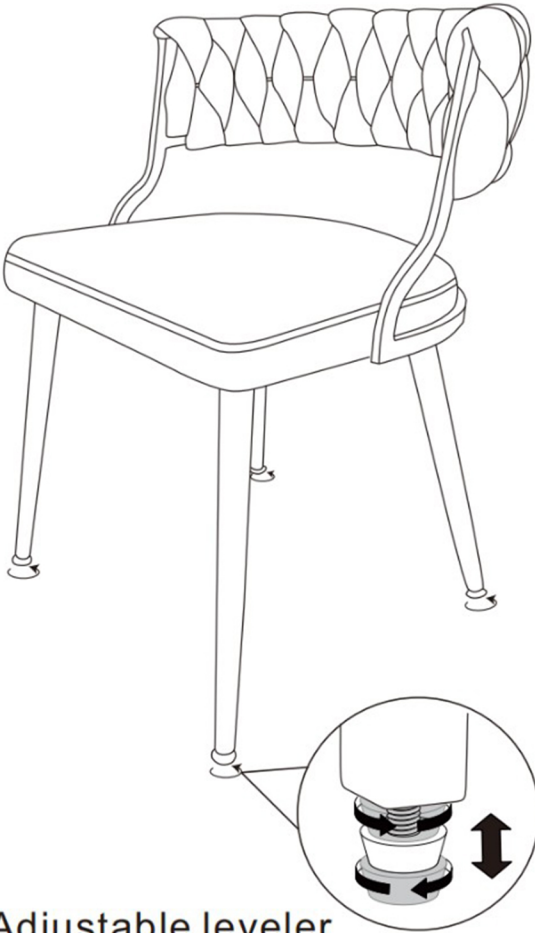
Attach the metal legs(B&C) to the seat (A) using bolts (2) and Allen wrench(3). Tighten all the screws 70% so that you can adjust slightly during the process of assembly.



**X2**

# step 3

Congradulations! You have finished the assembly, thank you again for choosing our product! Please enjoy!



Adjustable leveler

**X2**