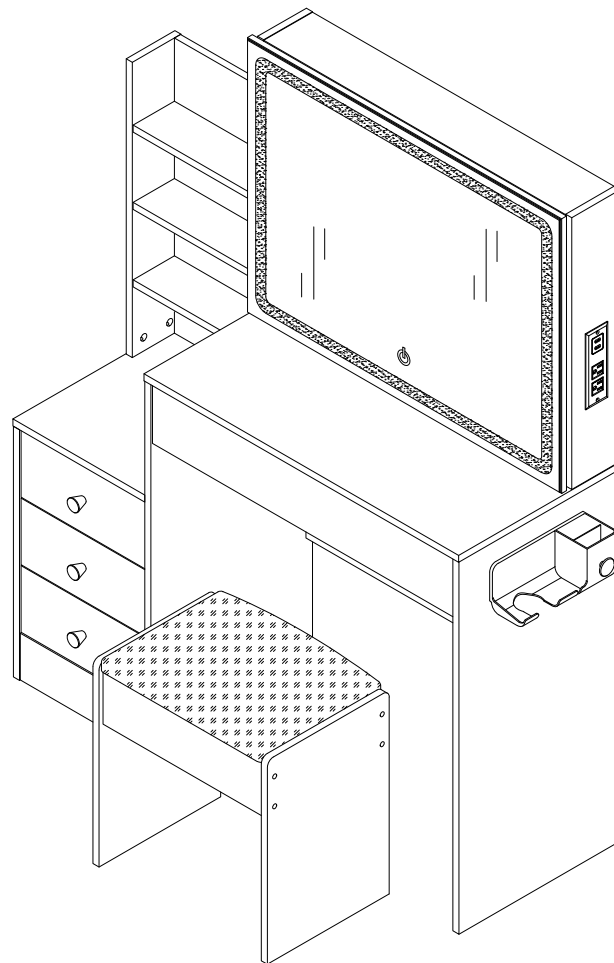
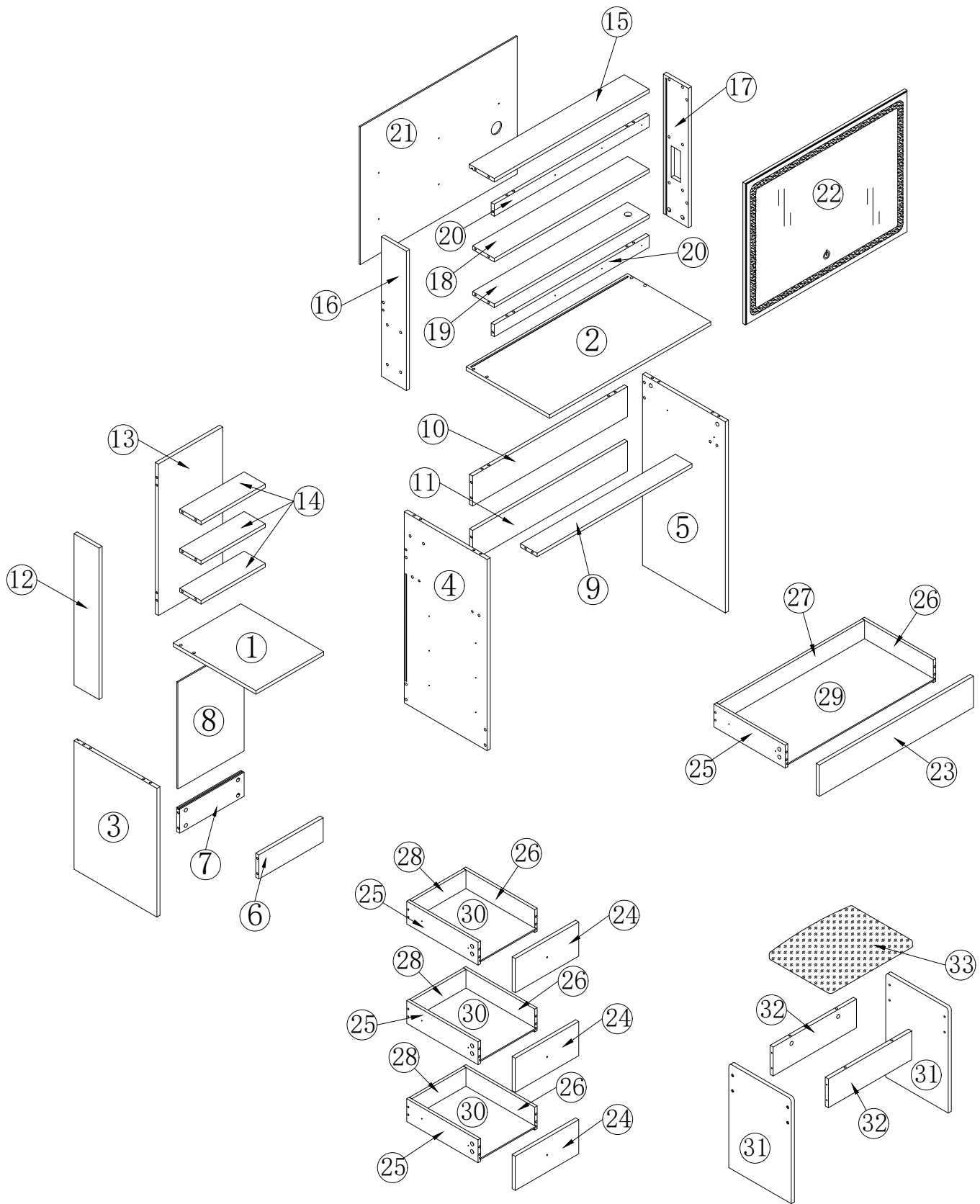


# Assembly Instruction

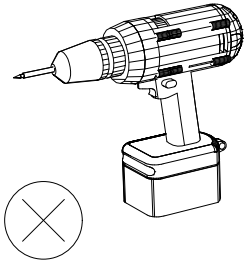
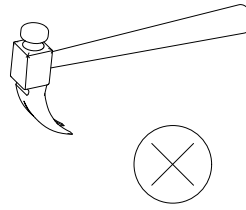
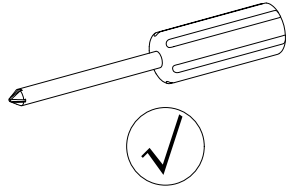
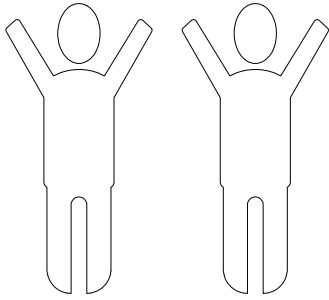
———— DST529WH ————



# Parts List (EN) / Teile Liste (DE)

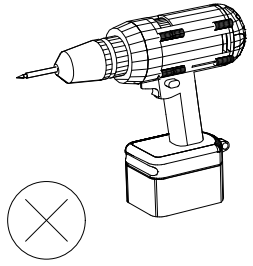
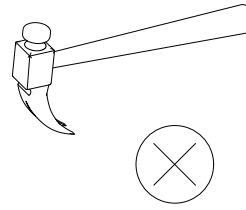
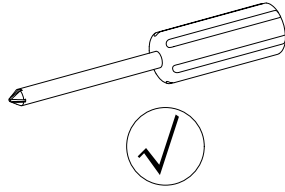
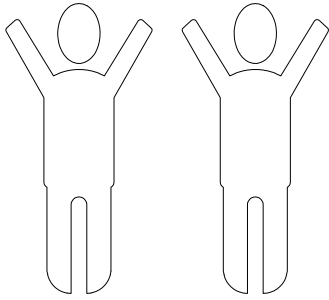


# Parts List (EN) / Teile Liste (DE)



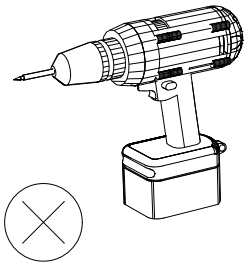
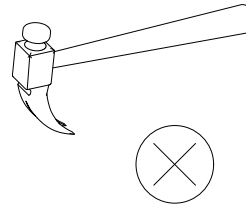
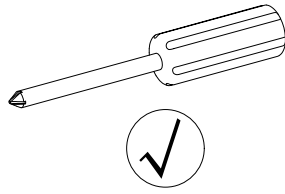
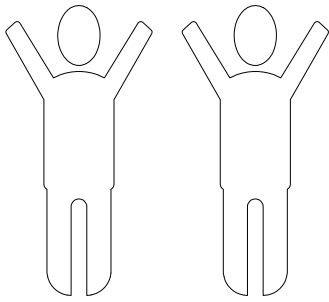
<p>①</p> <p>1PCS</p>	<p>②</p> <p>1PCS</p>	<p>③</p> <p>1PCS</p>	<p>④</p> <p>1PCS</p>
<p>⑤</p> <p>1PCS</p>	<p>⑥</p> <p>1PCS</p>	<p>⑦</p> <p>1PCS</p>	<p>⑧</p> <p>1PCS</p>
<p>⑨</p> <p>1PCS</p>	<p>⑩</p> <p>1PCS</p>	<p>⑪</p> <p>1PCS</p>	<p>⑫</p> <p>1PCS</p>
<p>⑬</p> <p>1PCS</p>	<p>⑭</p> <p>3PCS</p>	<p>⑮</p> <p>1PCS</p>	<p>⑯</p> <p>1PCS</p>
<p>⑰</p> <p>1PCS</p>	<p>⑱</p> <p>1PCS</p>	<p>⑲</p> <p>1PCS</p>	<p>⑳</p> <p>2PCS</p>

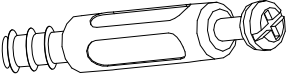

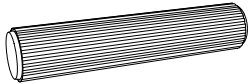
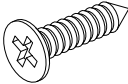
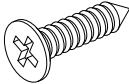
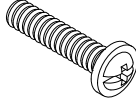

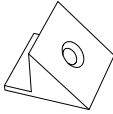
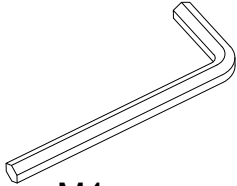
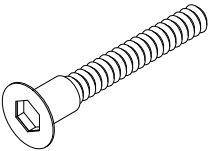
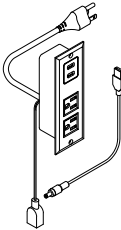
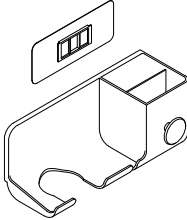
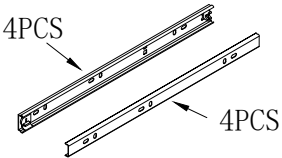
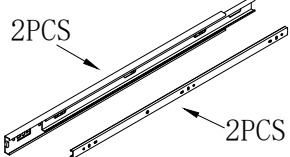
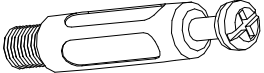
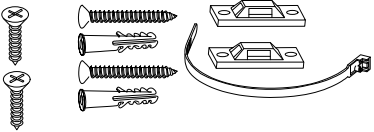
# Parts List (EN) / Teile Liste (DE)



<p>21</p> <p>1PCS</p>	<p>22</p> <p>1PCS</p>	<p>23</p> <p>1PCS</p>	<p>24</p> <p>3PCS</p>
<p>25</p> <p>4PCS</p>	<p>26</p> <p>4PCS</p>	<p>27</p> <p>1PCS</p>	<p>28</p> <p>3PCS</p>
<p>29</p> <p>1PCS</p>	<p>30</p> <p>3PCS</p>	<p>31</p> <p>2PCS</p>	<p>32</p> <p>2PCS</p>
<p>33</p> <p>1PCS</p>			

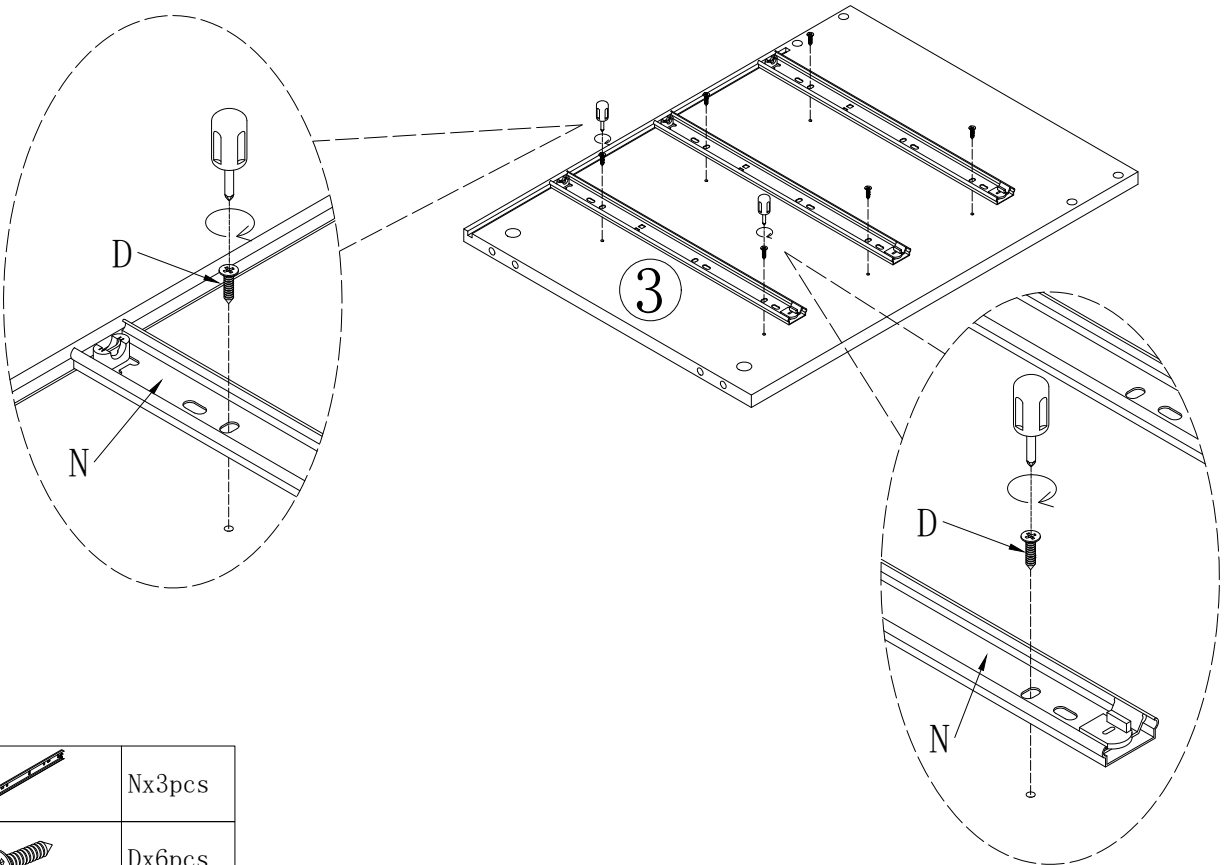
# Parts List (EN) / Teile Liste (DE)





<p><b>A</b></p>  <p><math>\phi 6*35\text{mm}</math> 88+2PCS</p>	<p><b>B</b></p>  <p><math>\phi 15*9.5\text{mm}</math> 92+2PCS</p>	<p><b>C</b></p>  <p><math>\phi 8*30\text{mm}</math> 18+2PCS</p>
<p><b>D</b></p>  <p><math>\phi 3.5*12\text{mm}</math> 46+2PCS</p>	<p><b>E</b></p>  <p><math>\phi 3.5*14\text{mm}</math> 14+2PCS</p>	<p><b>F</b></p>  <p><math>\phi 4*20\text{mm}</math> 3+1PCS</p>
<p><b>G</b></p>  <p>Handle 3PCS</p>	<p><b>H</b></p>  <p>8+2PCS</p>	<p><b>I</b></p>  <p>M4 1PCS</p>
<p><b>J</b></p>  <p>ST5*50mm 24+2PCS</p>	<p><b>K</b></p>  <p>1 sets</p>	<p><b>L</b></p>  <p>1 sets</p>
<p><b>N</b></p>  <p>4PCS 4PCS L=330mm 4 sets</p>	<p><b>P</b></p>  <p>2PCS 2PCS L=550mm 1 sets</p>	<p><b>Q</b></p>  <p><math>\phi 6*35\text{mm}</math> 4+1 PCS</p>
<p><b>R</b></p>  <p>2 sets</p>		

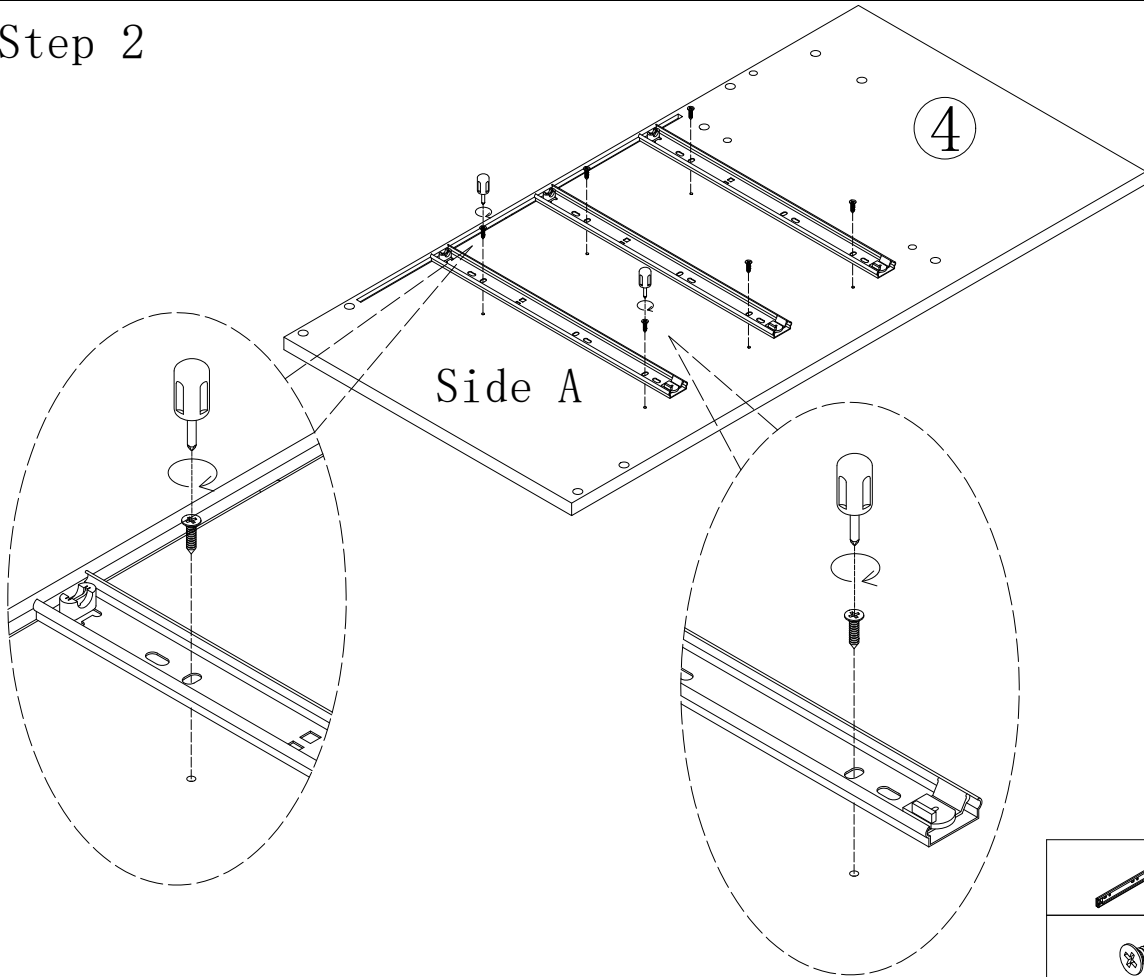
# Assembly Steps (EN) /Montageschritte (DE)



## Step 1



	Nx3pcs
	Dx6pcs

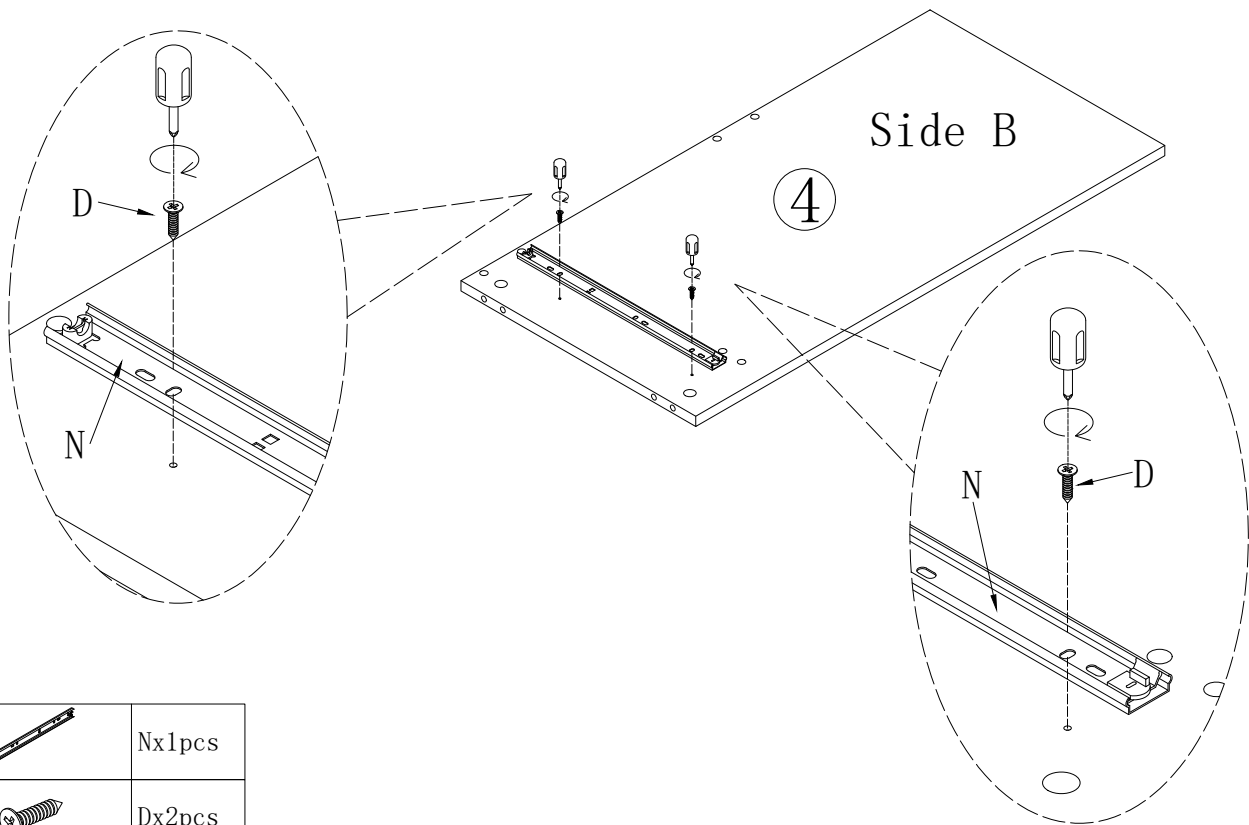
## Step 2





	Nx3pcs
	Dx6pcs

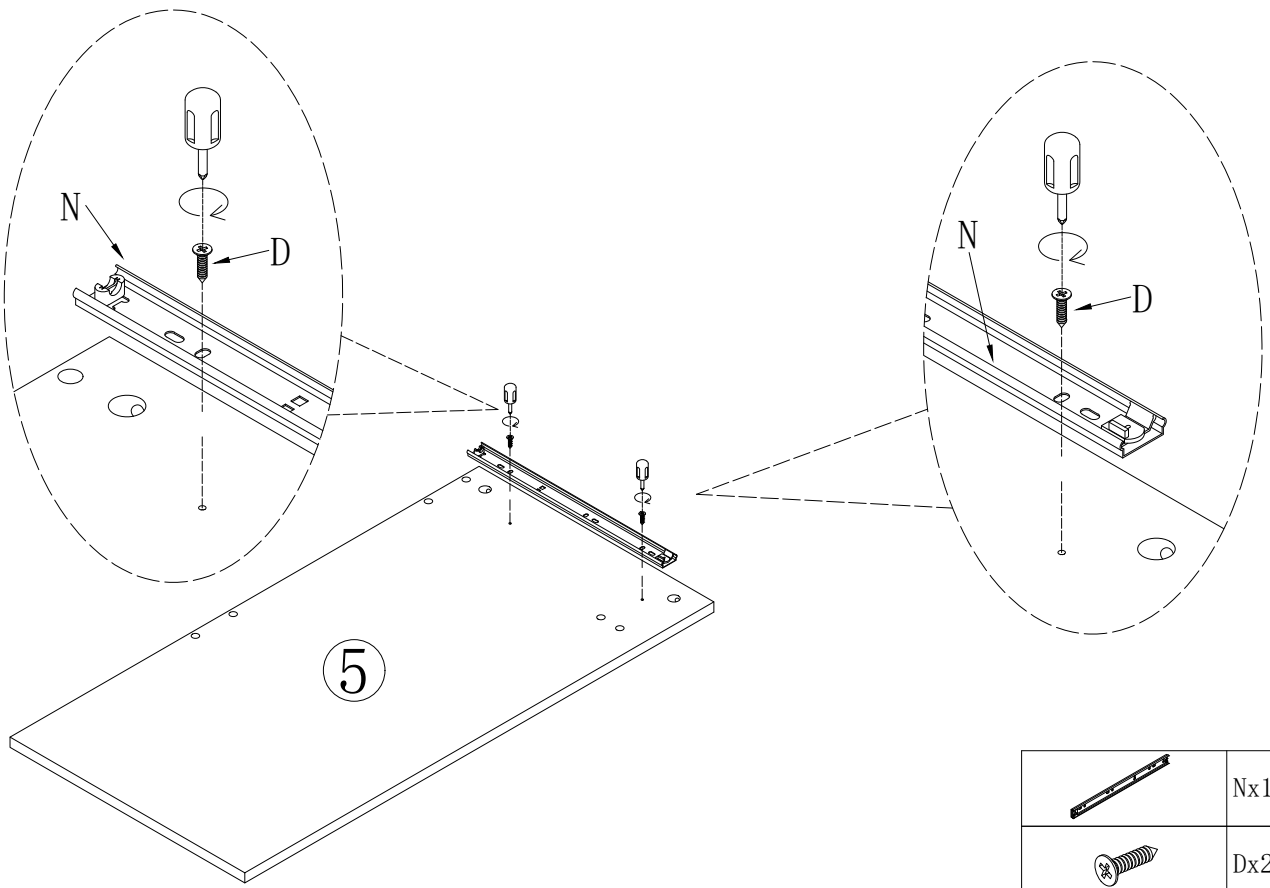
# Assembly Steps (EN) /Montageschritte (DE)



## Step 3



	Nx1pcs
	Dx2pcs

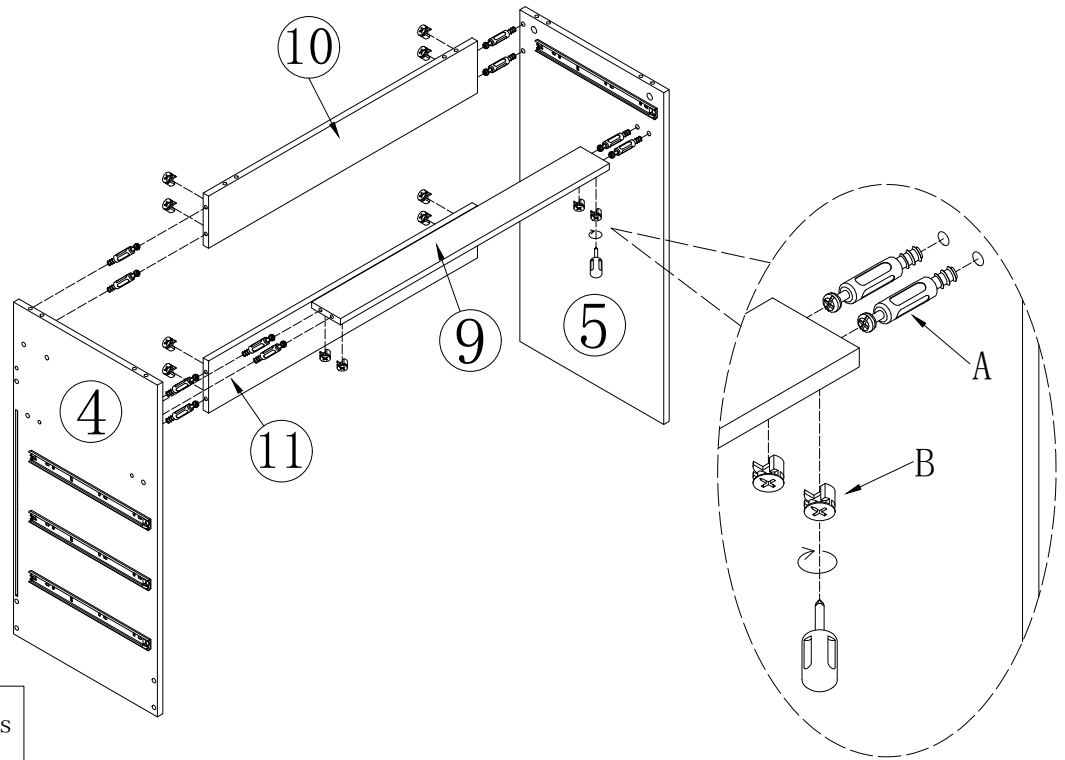
## Step 4





	Nx1pcs
	Dx2pcs

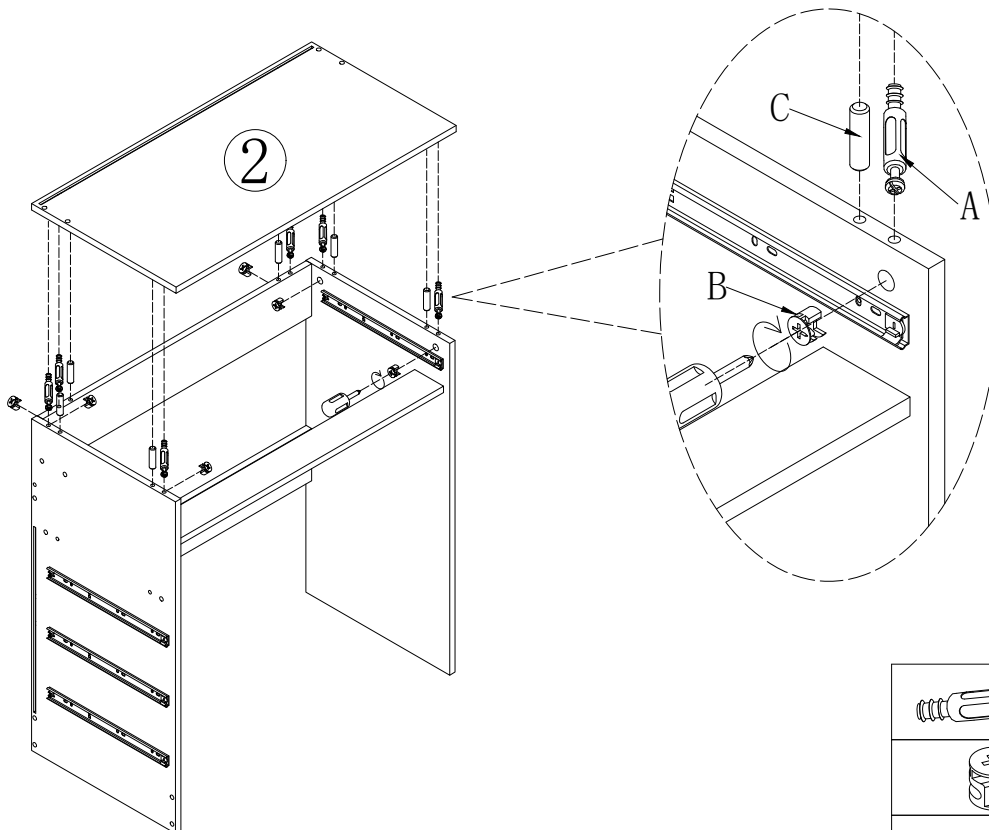
# Assembly Steps (EN) /Montageschritte (DE)




## Step 5



	Ax12pcs
	Bx12pcs

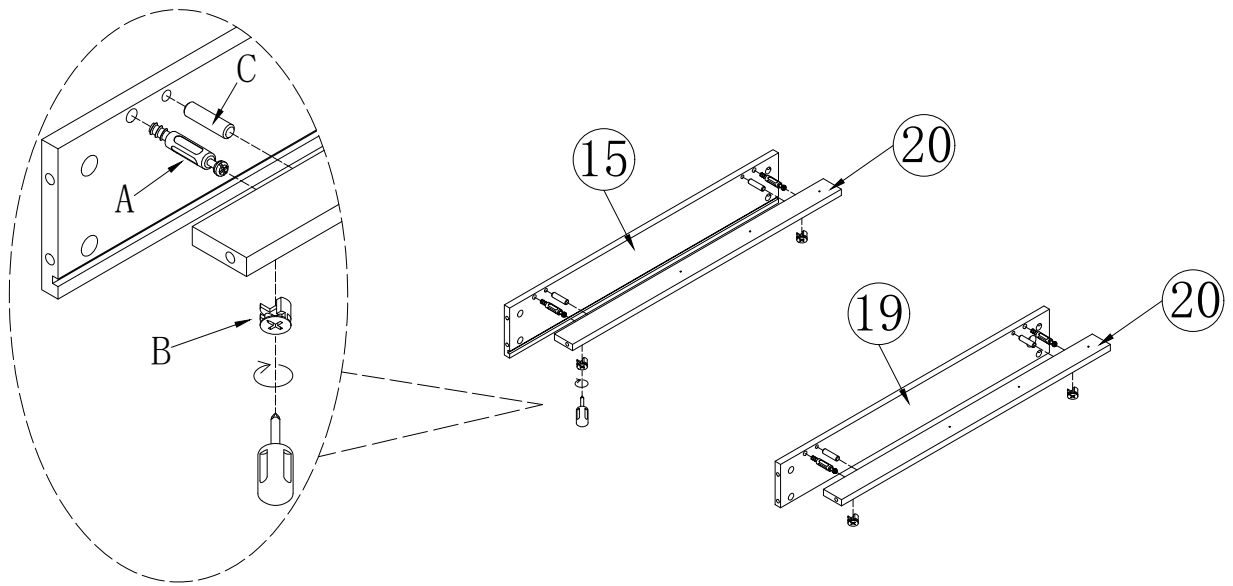
## Step 6



	Ax6pcs
	Bx6pcs
	Cx6pcs

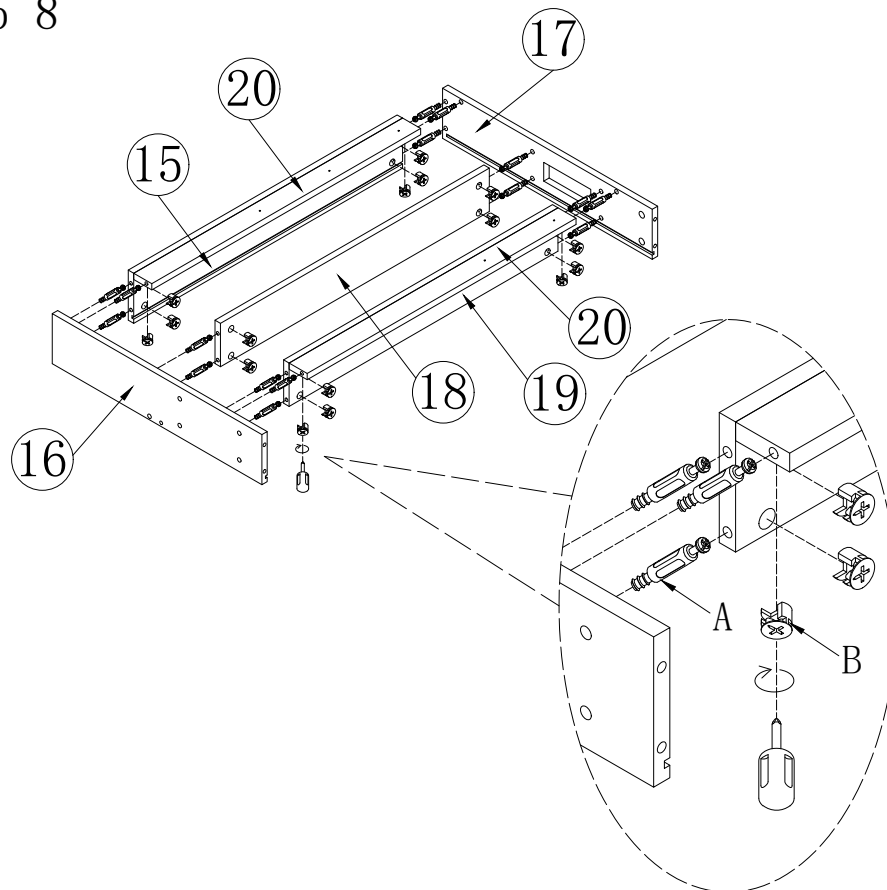
# Assembly Steps (EN) /Montageschritte (DE)

## Step 7



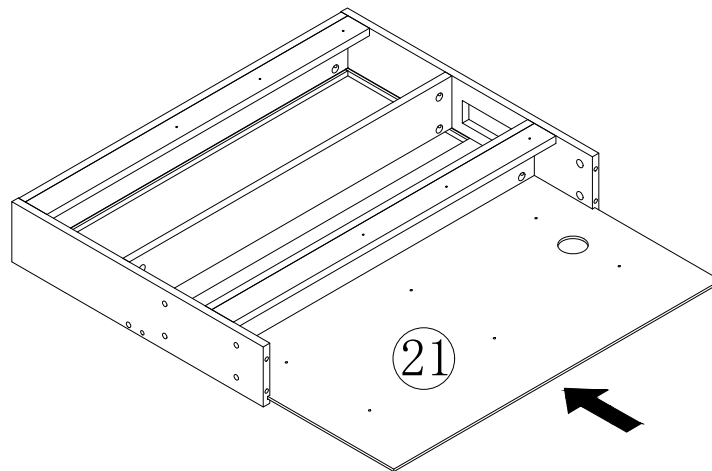
	Ax4pcs
	Bx4pcs
	Cx4pcs

## Step 8

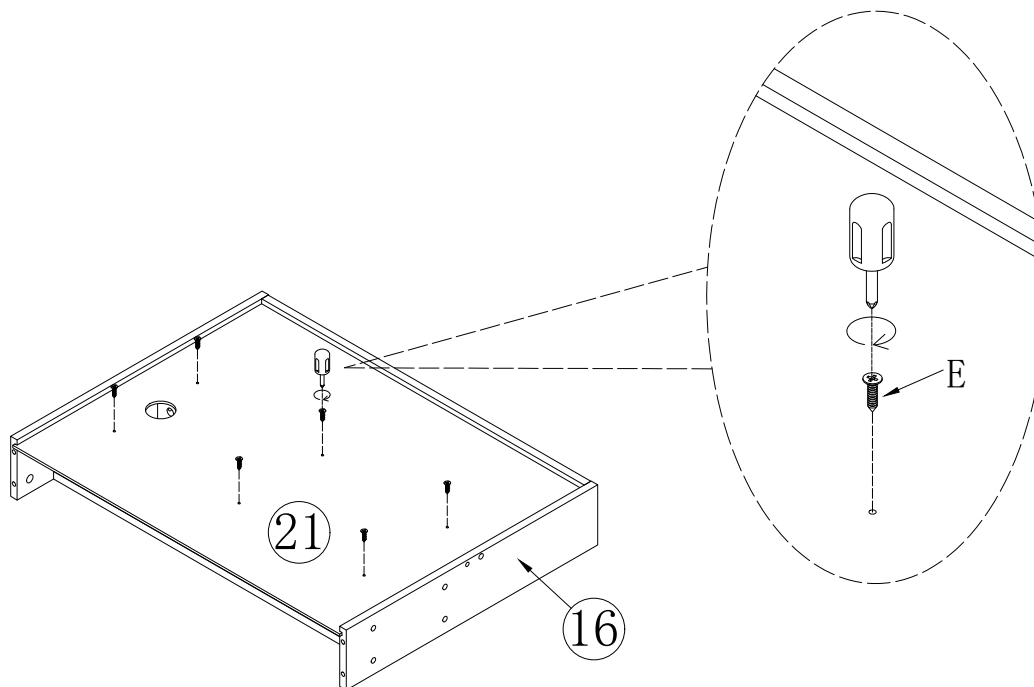


	Ax16pcs
	Bx16pcs

Step 9



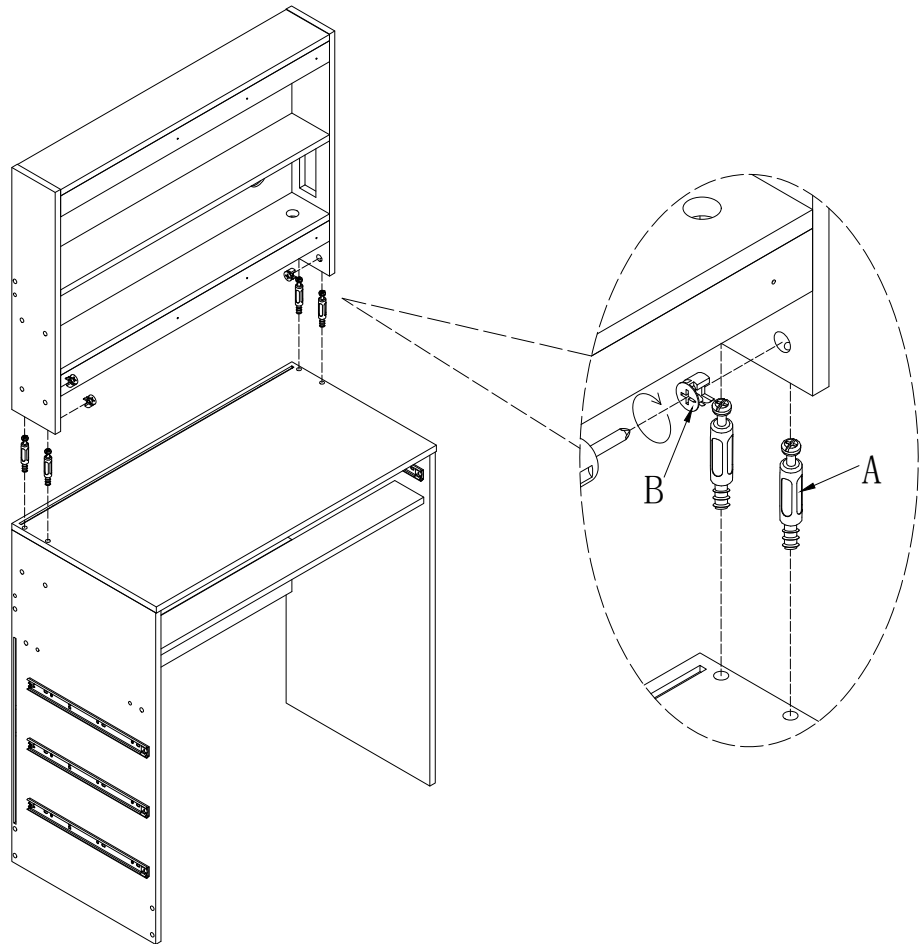
Step 10





Ex6pcs

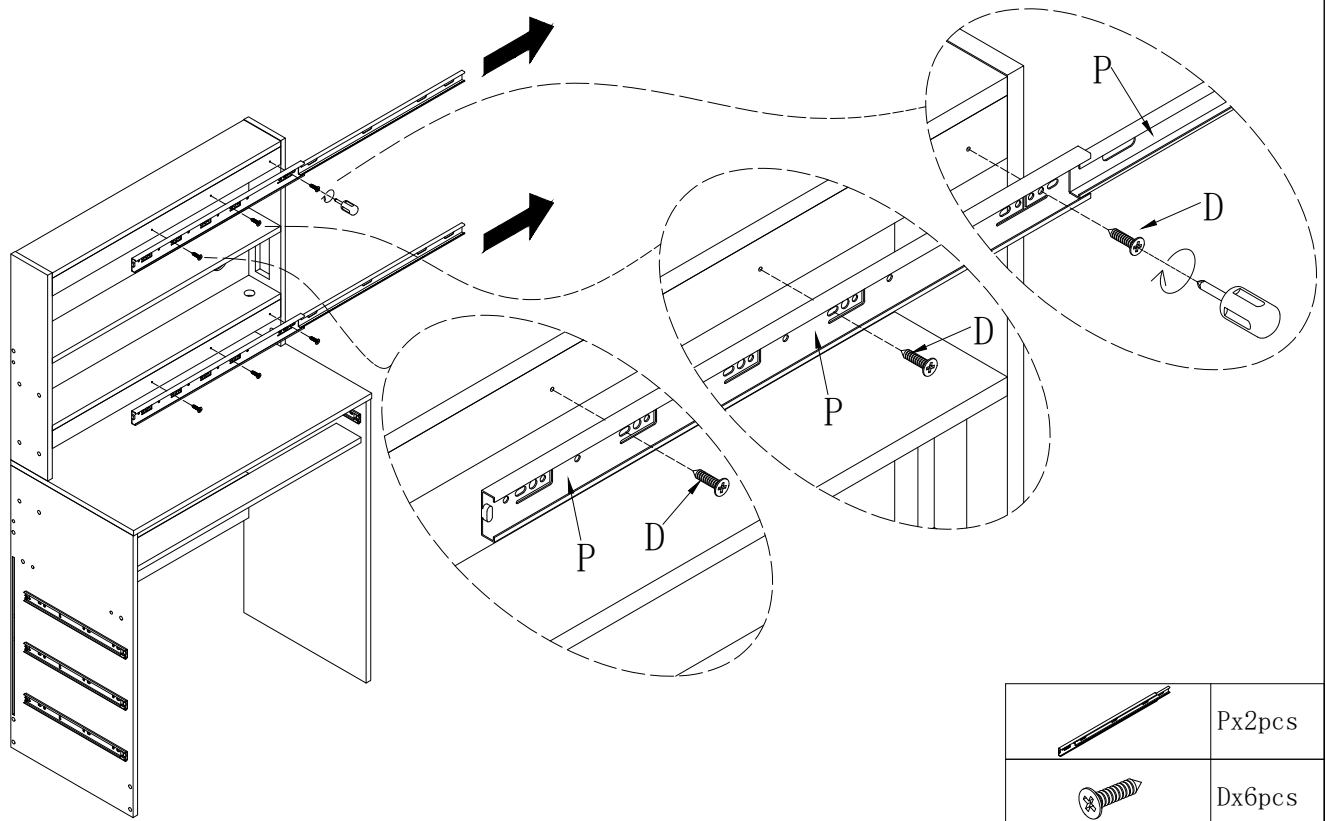
# Assembly Steps (EN) /Montageschritte (DE)



## Step 11



	Ax4pcs
	Bx4pcs

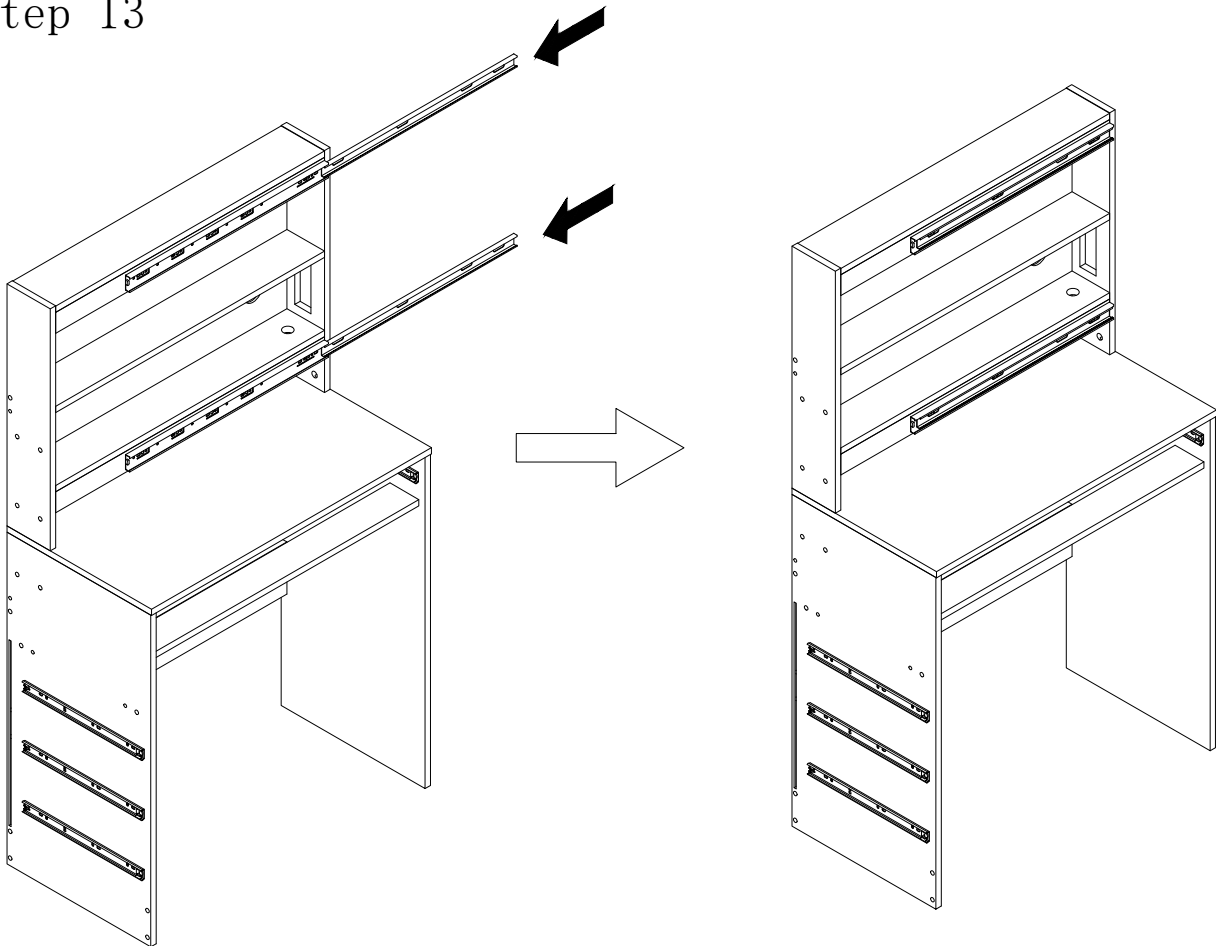
## Step 12



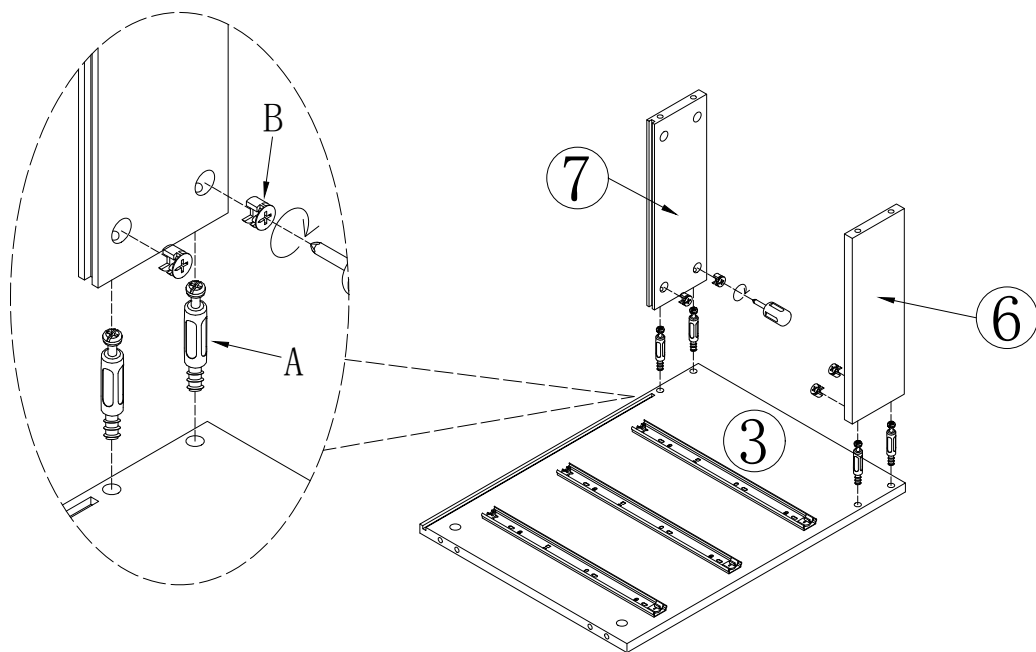
	Px2pcs
	Dx6pcs



# Assembly Steps (EN) /Montageschritte (DE)

## Step 13



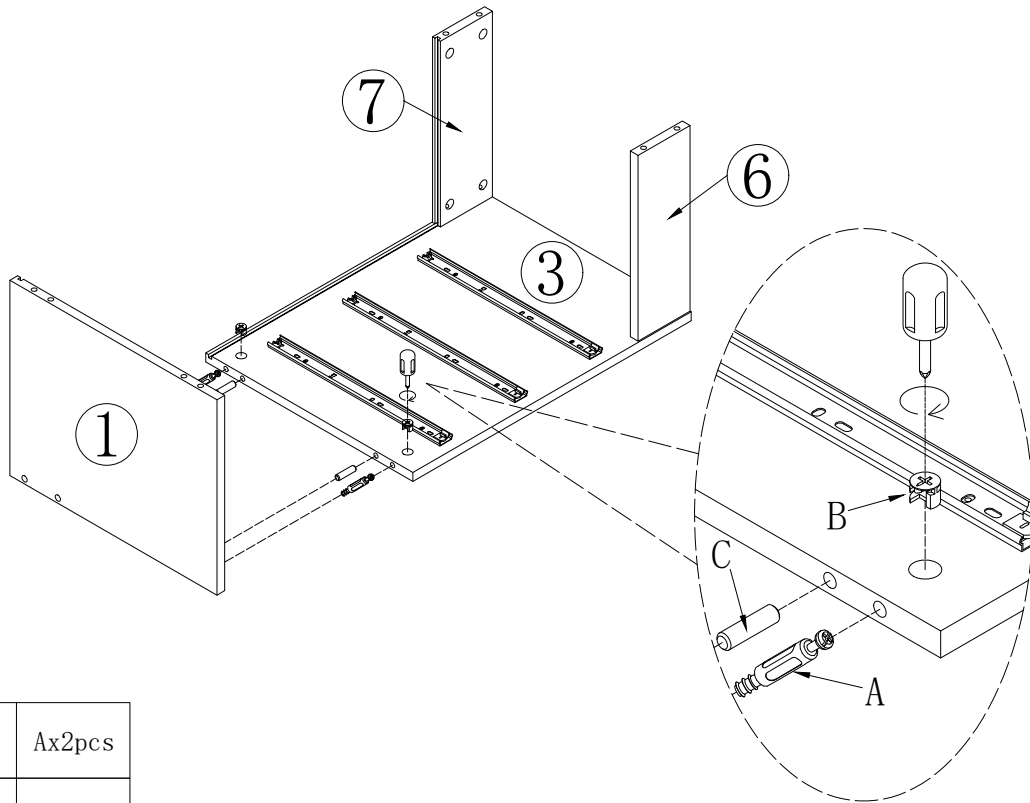
## Step 14






	Ax4pcs
	Bx4pcs

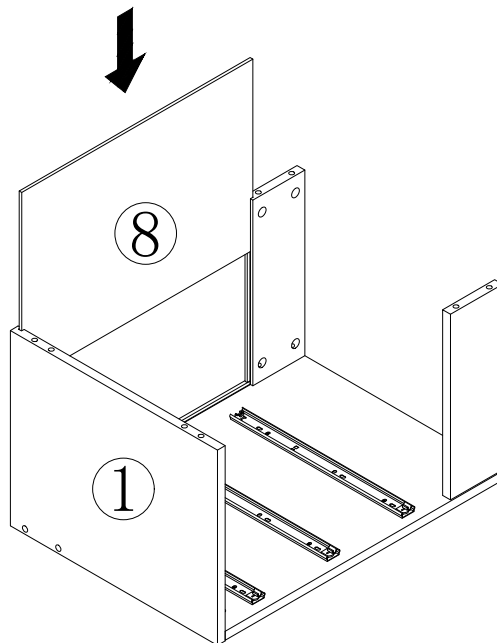
# Assembly Steps (EN) /Montageschritte (DE)

## Step 15



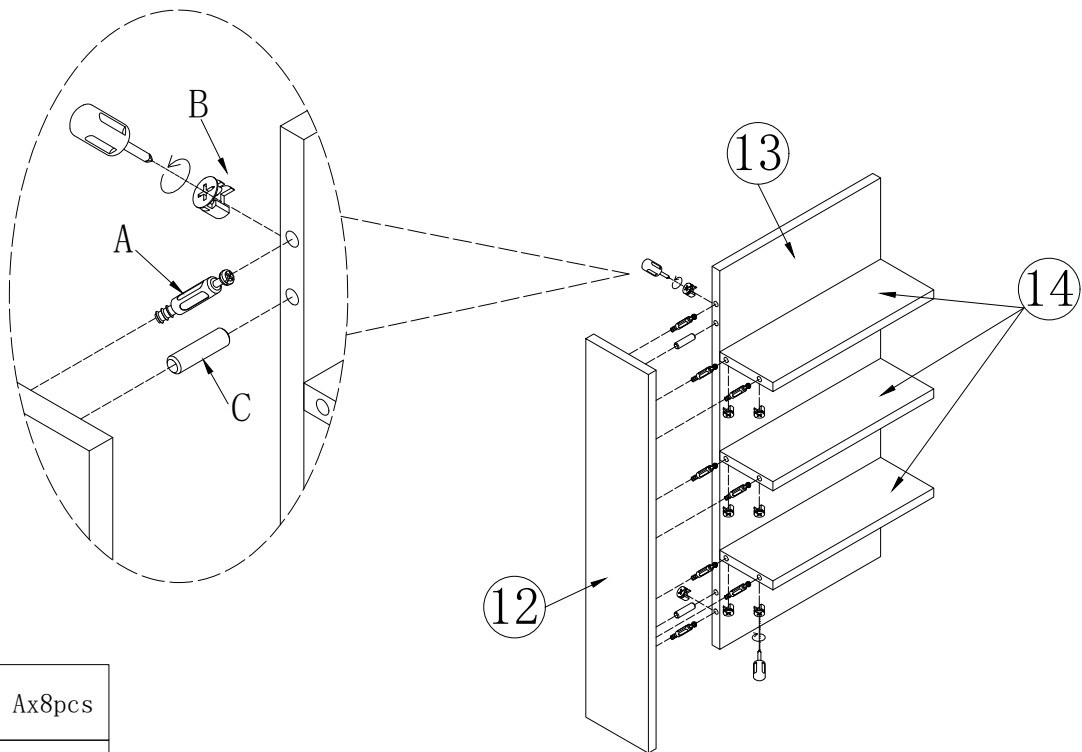
	Ax2pcs
	Bx2pcs
	Cx2pcs




## Step 16



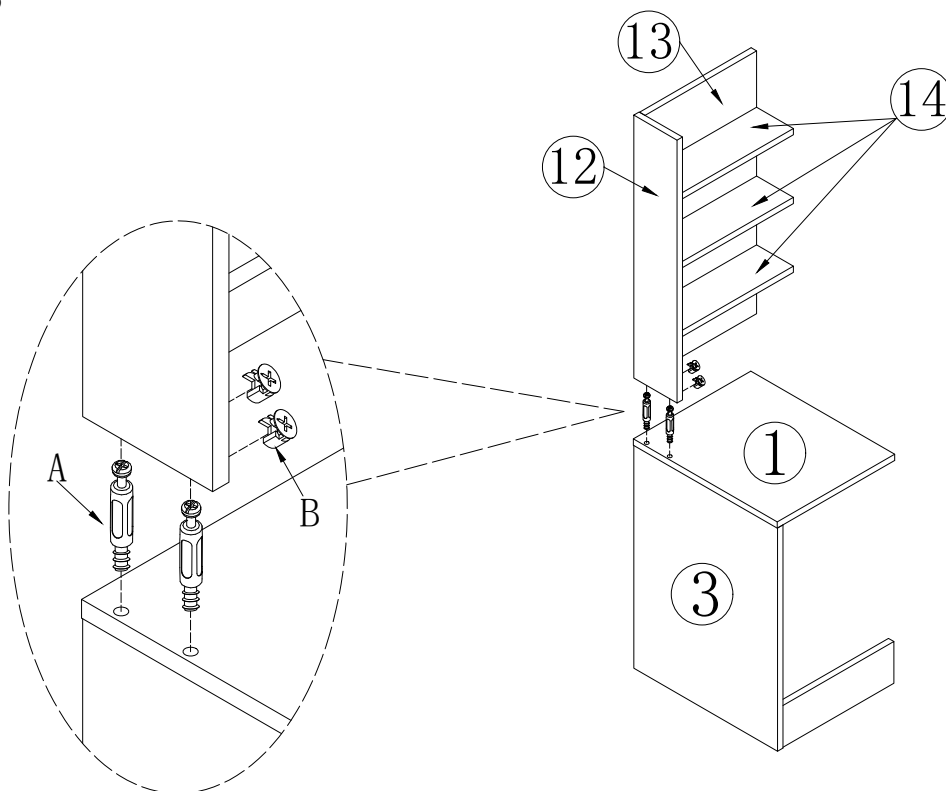
# Assembly Steps (EN) /Montageschritte (DE)



## Step 17



	Ax8pcs
	Bx8pcs
	Cx2pcs

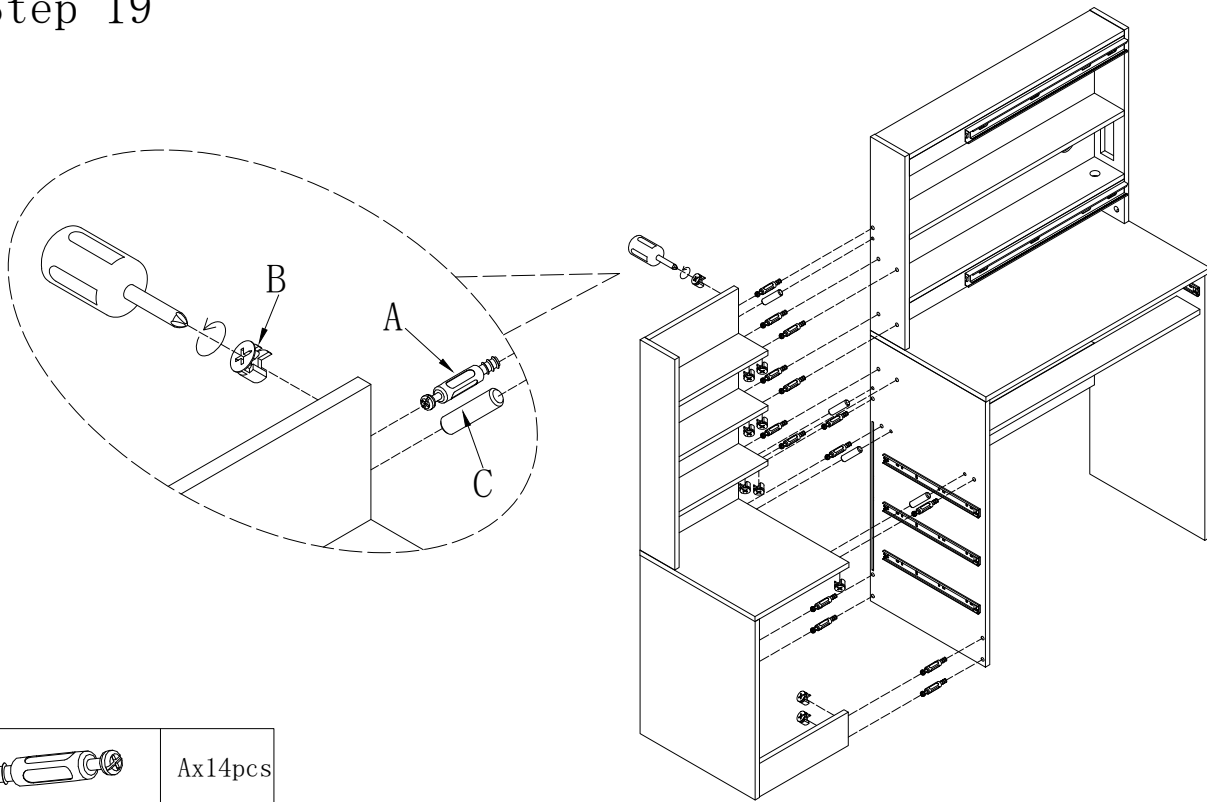
## Step 18






	Ax2pcs
	Bx2pcs

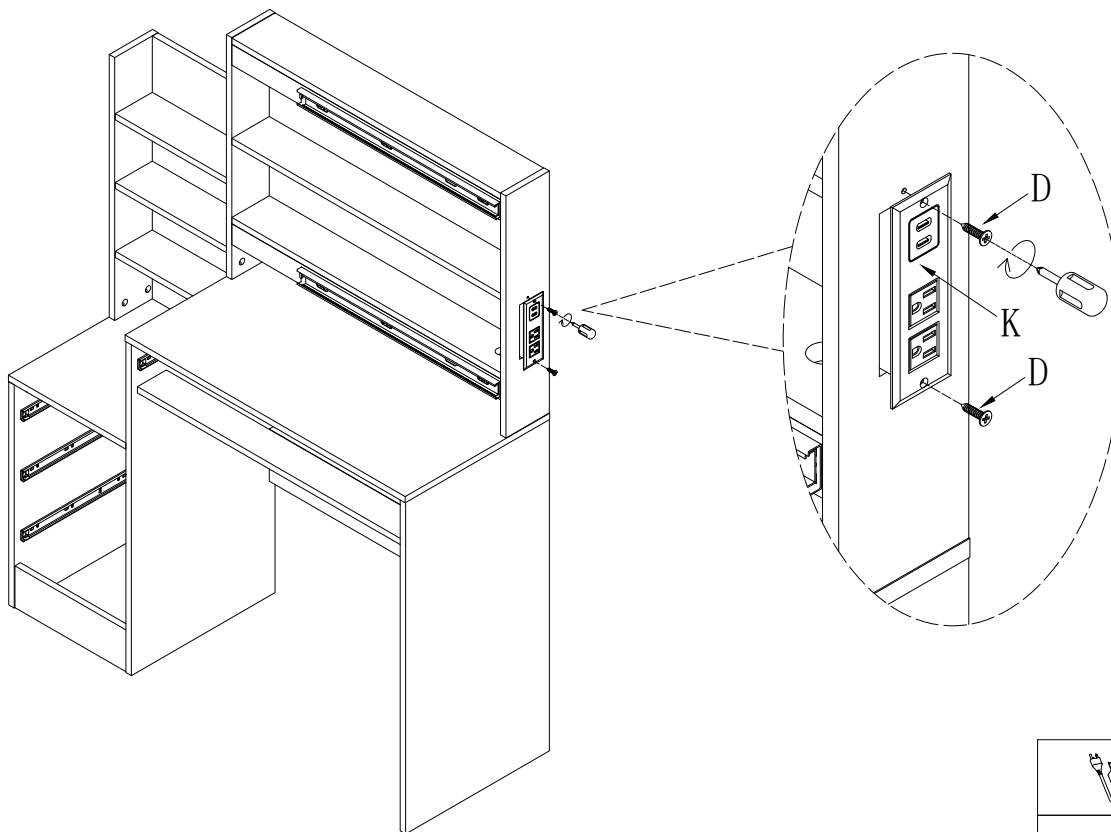
# Assembly Steps (EN) /Montageschritte (DE)



## Step 19



	Ax14pcs
	Bx14pcs
	Cx4pcs

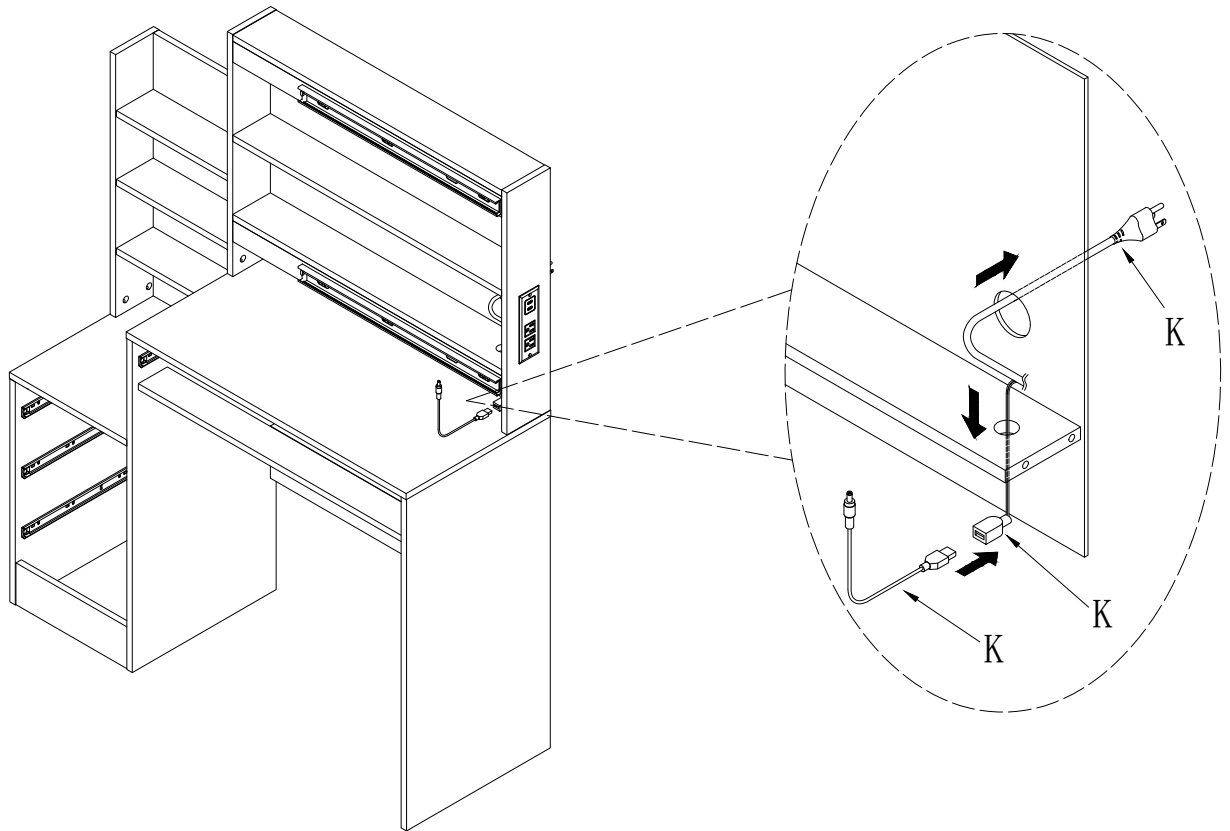
## Step 20



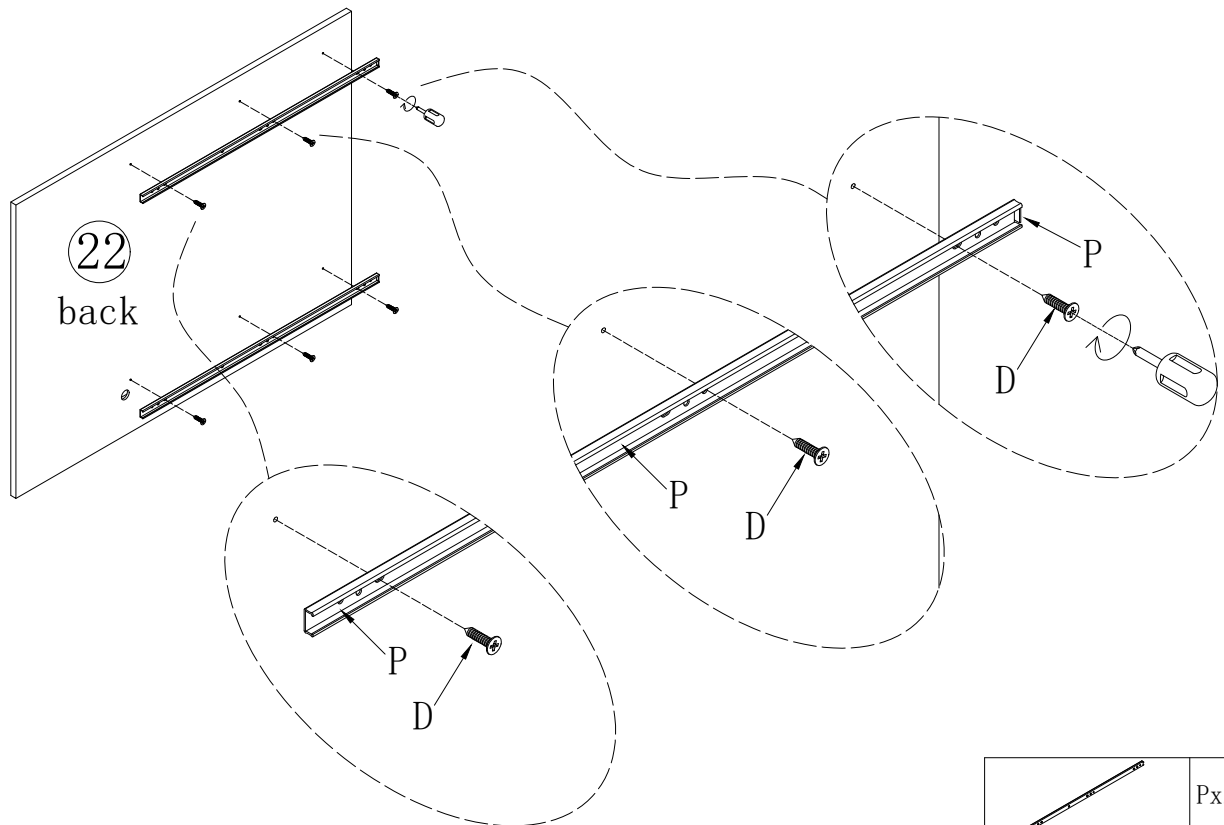
	Kx1set
	Dx2pcs



# Assembly Steps (EN) /Montageschritte (DE)

## Step 21



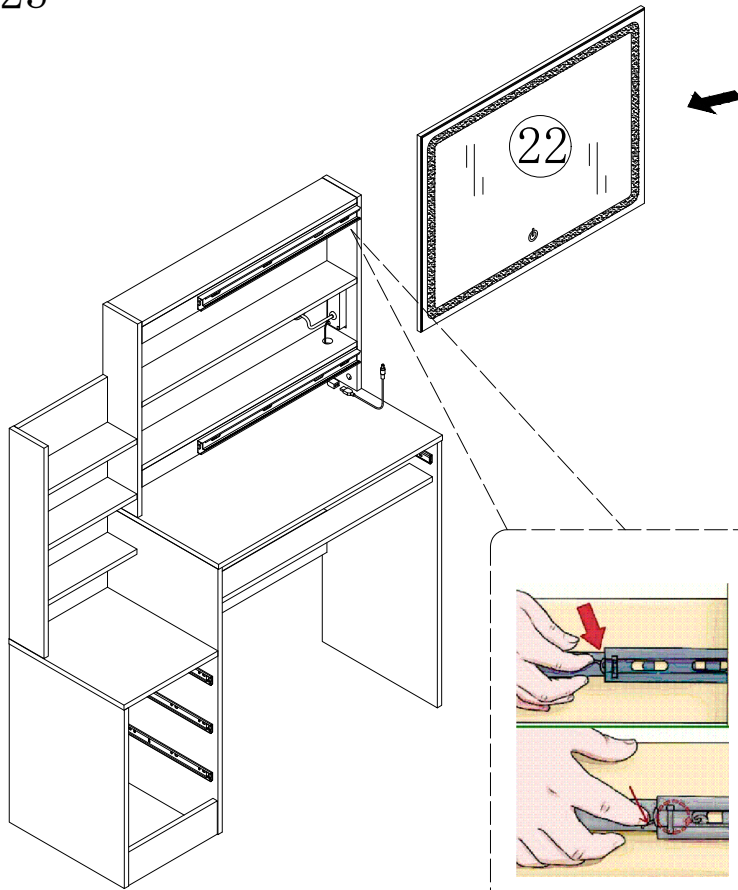
## Step 22



	Px2pcs
	Dx6pcs

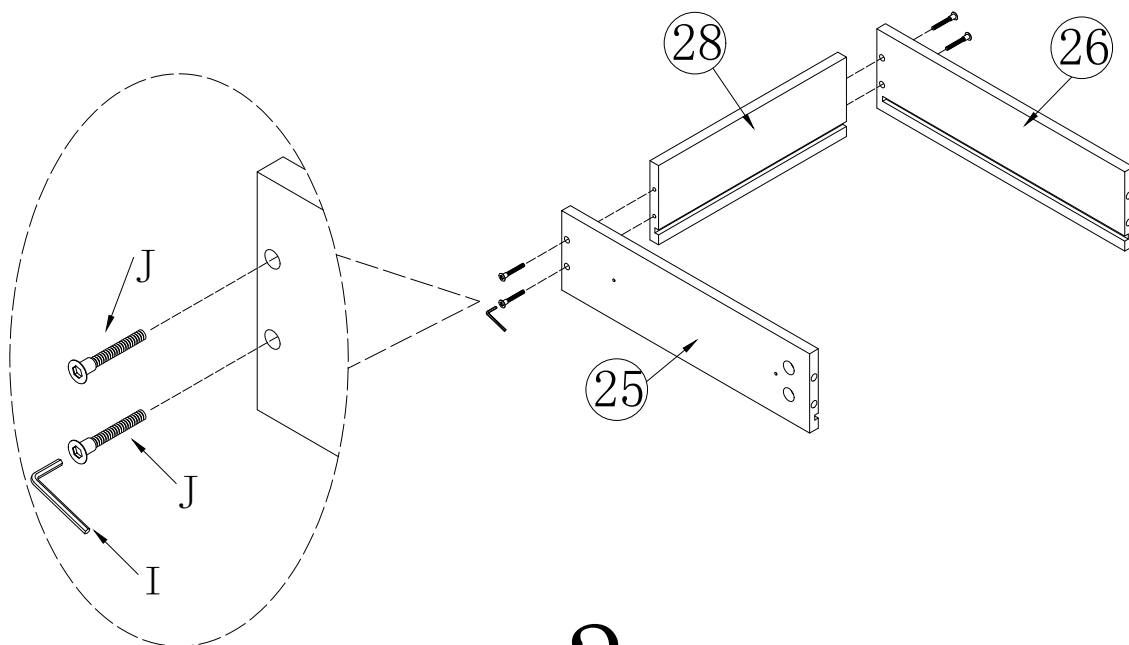
# Assembly Steps (EN) /Montageschritte (DE)

## Step 23


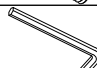


Please lift up the lock on one side,  
 at the same time, lift the lock on the other side down,  
 and then insert the drawer along the slide rail to complete.

## Step 24

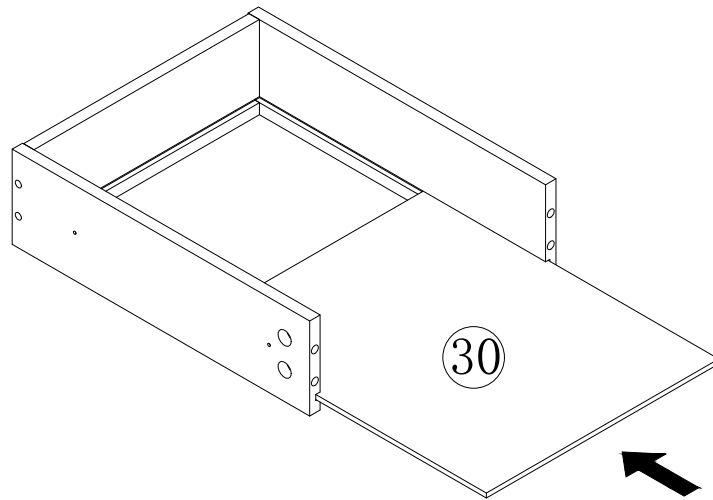


x3

	Jx12pcs
	Ix1pcs

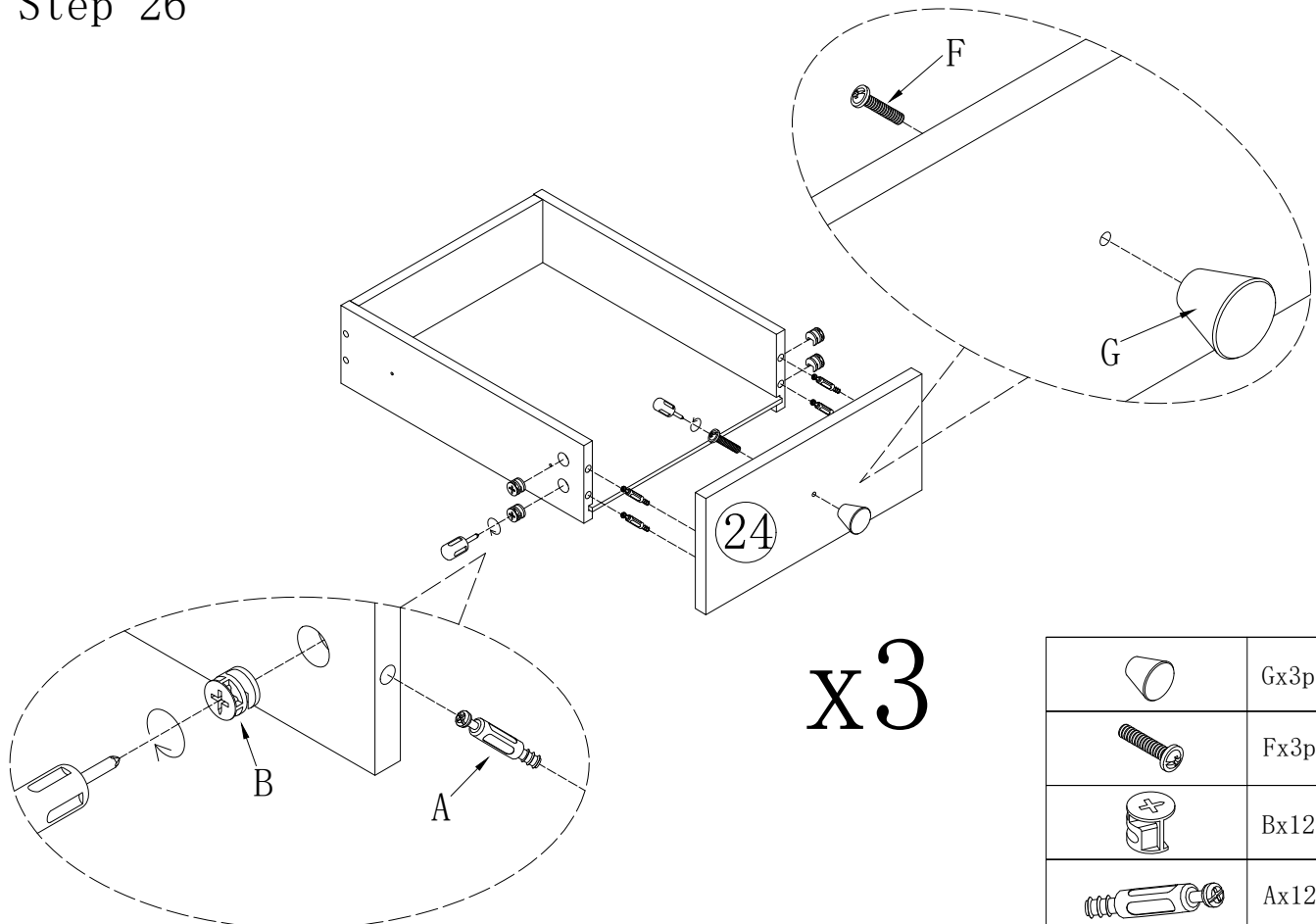
# Assembly Steps (EN) /Montageschritte (DE)

## Step 25







x3

## Step 26

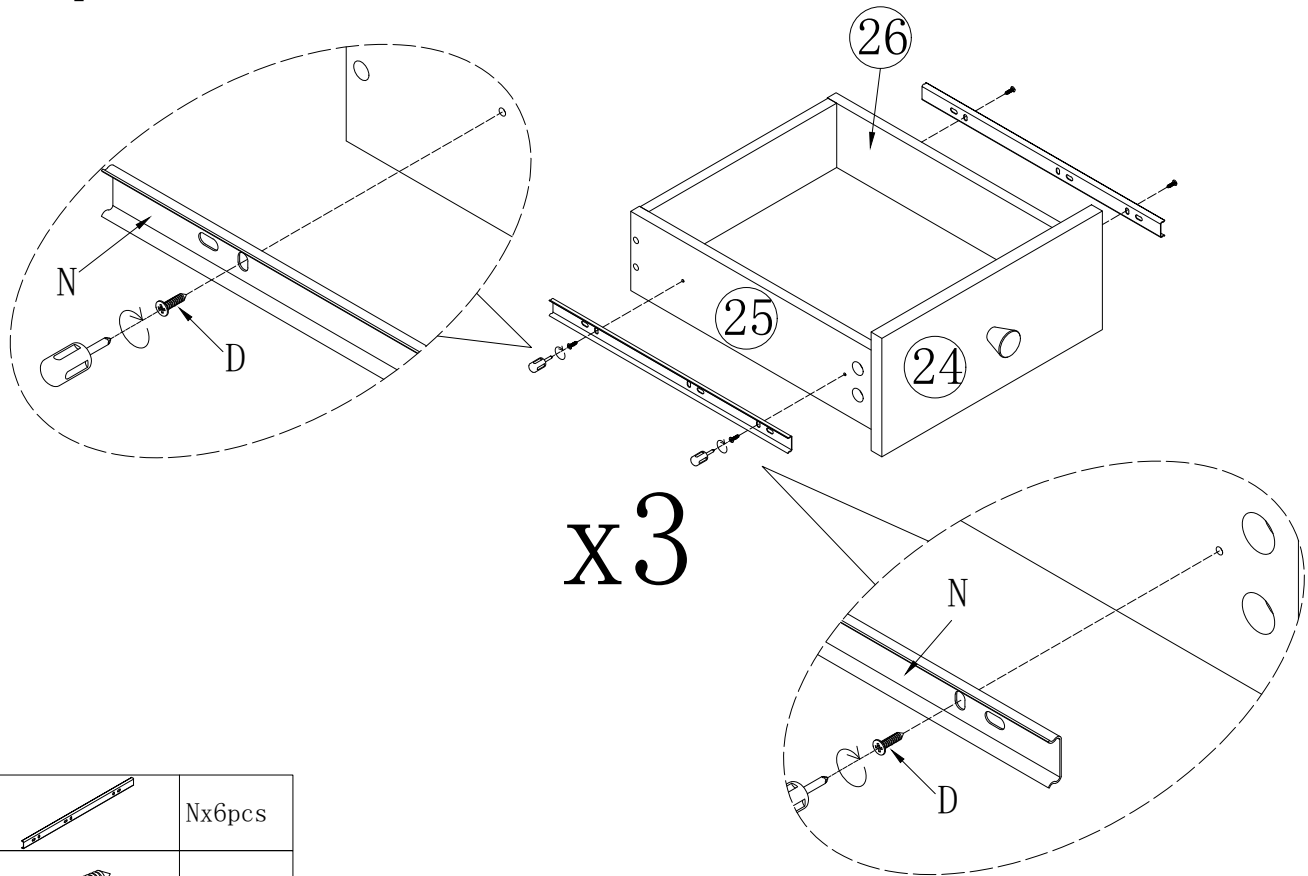


x3

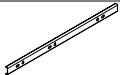

	Gx3pcs
	Fx3pcs
	Bx12pcs
	Ax12pcs

# Assembly Steps (EN) /Montageschritte (DE)

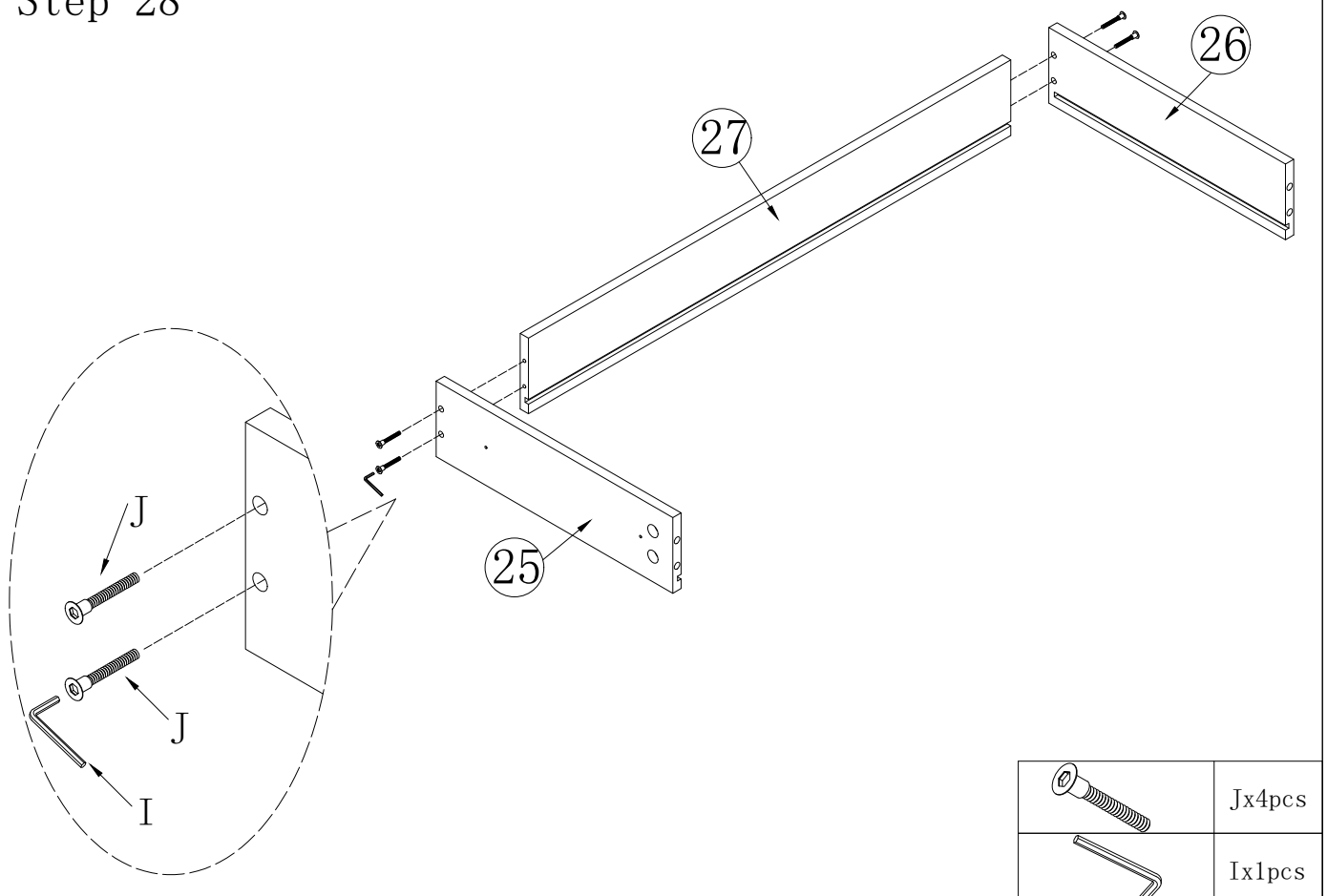
## Step 27

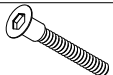



x3

	Nx6pcs
	Dx12pcs

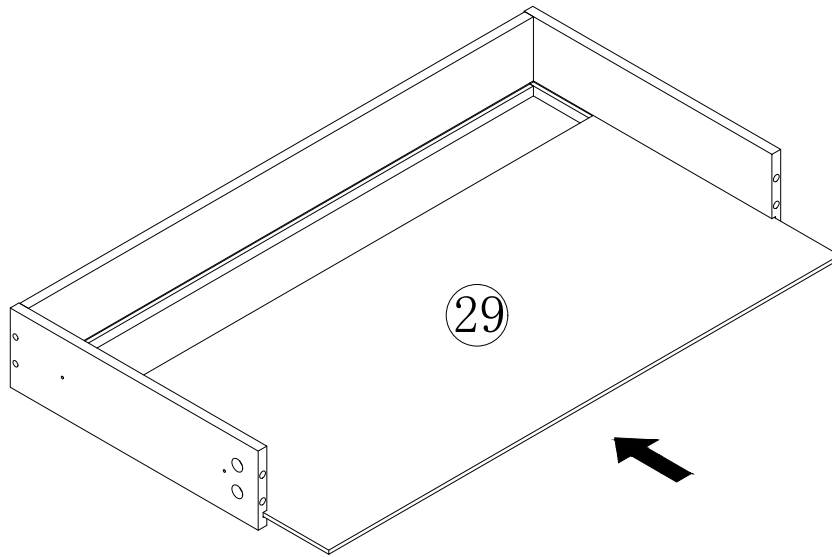
## Step 28



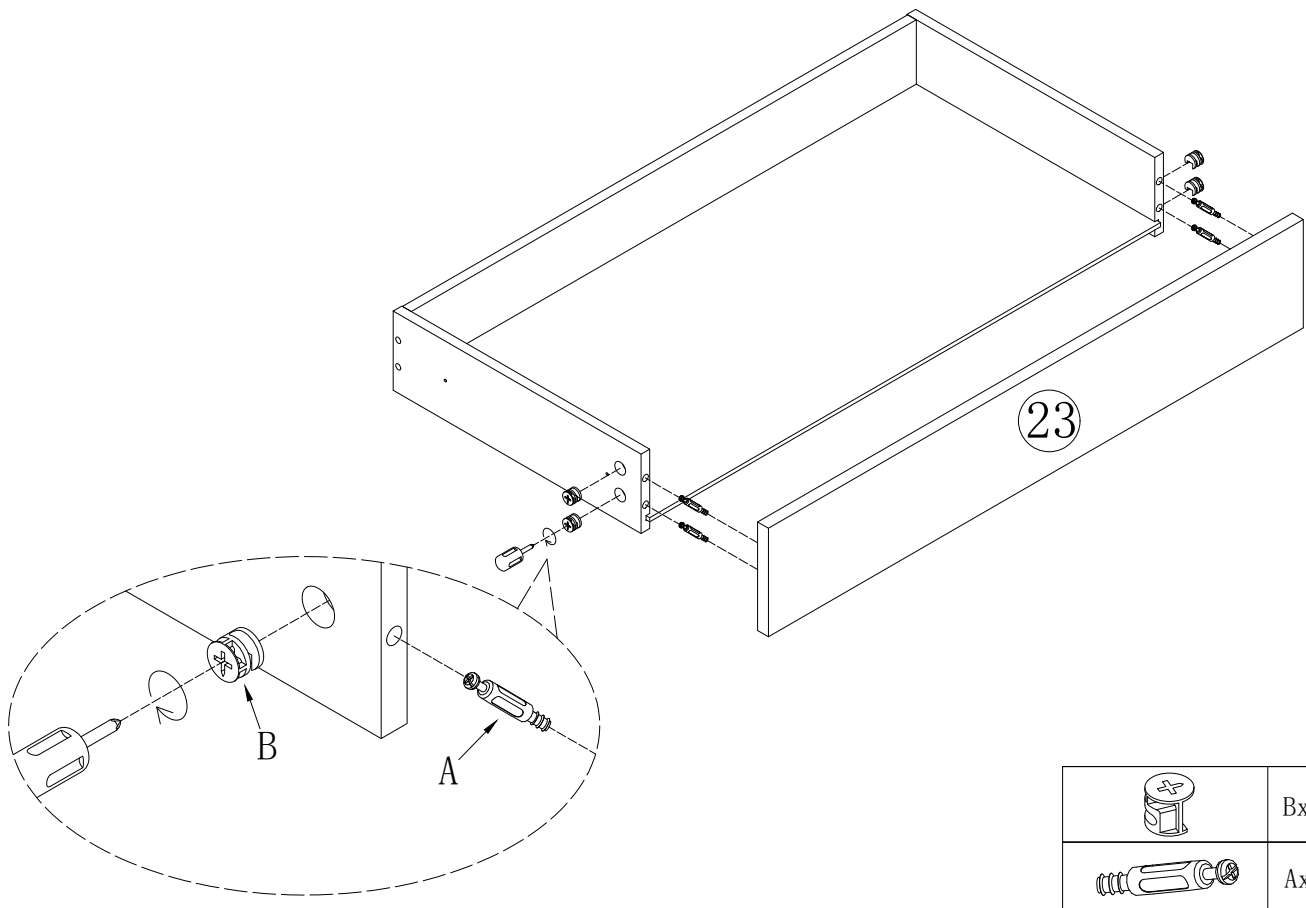
	Jx4pcs
	Ix1pcs

# Assembly Steps (EN) /Montageschritte (DE)

## Step 29

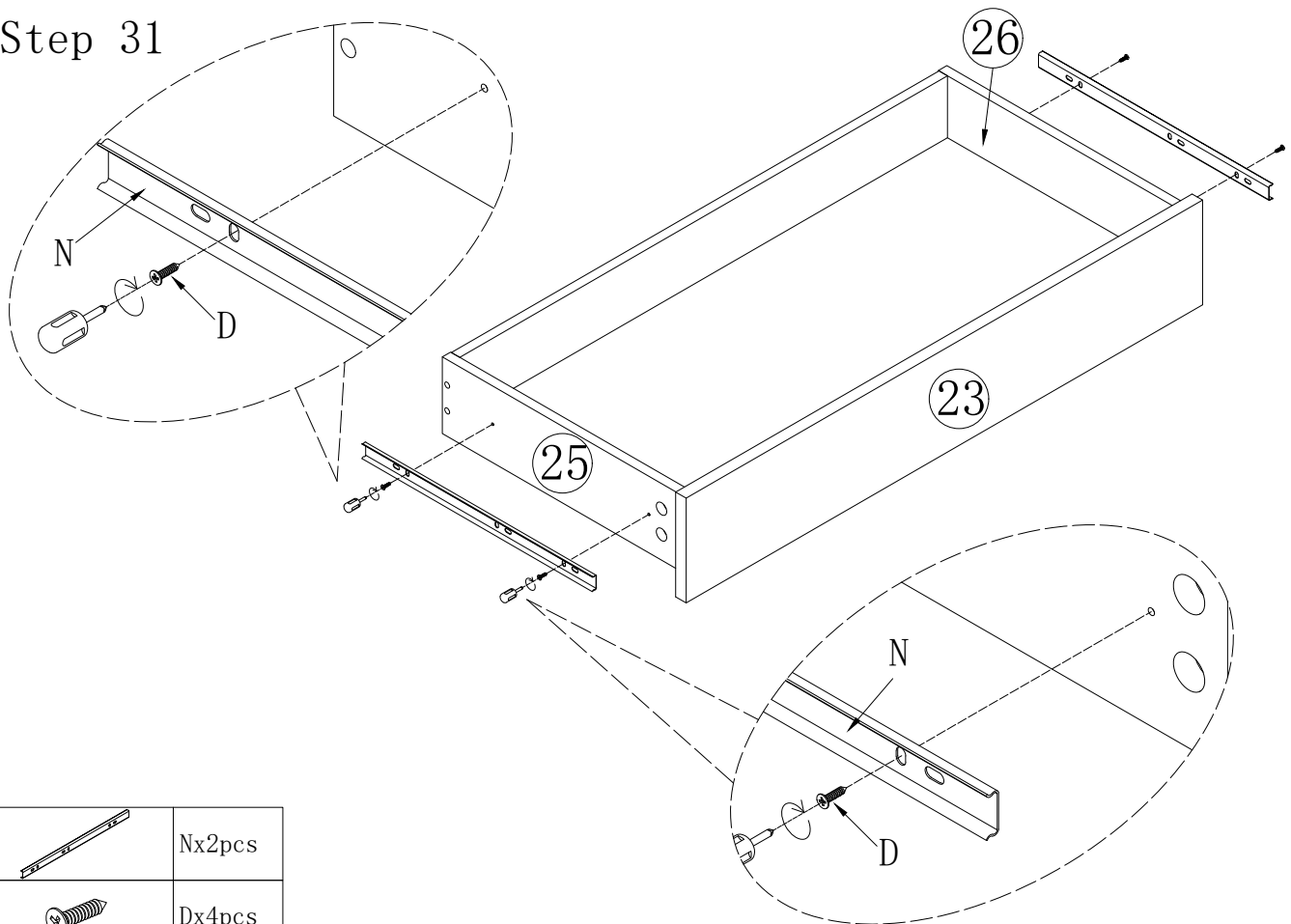


## Step 30

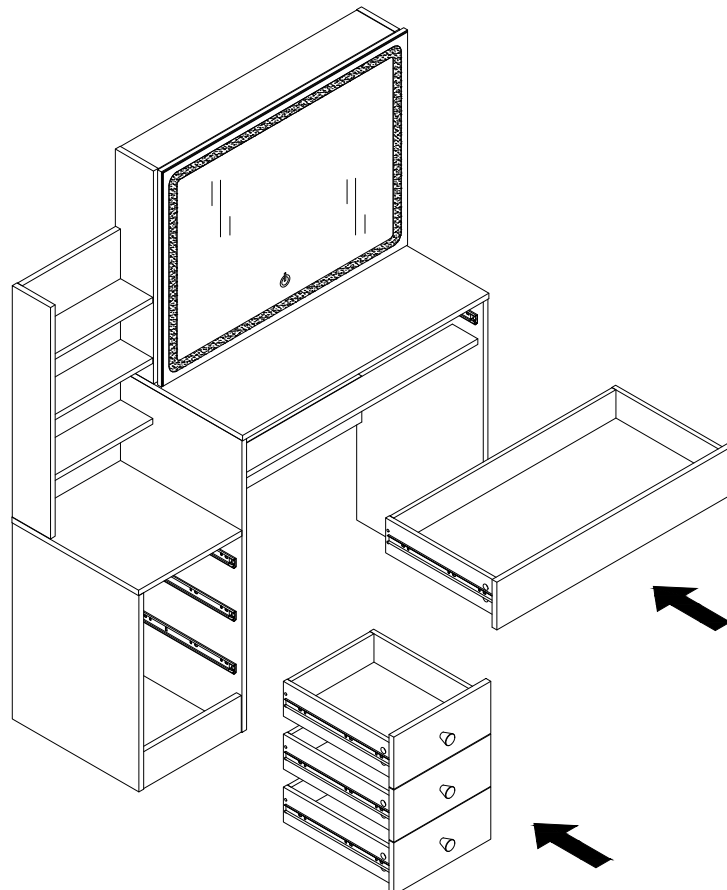


# Assembly Steps (EN) /Montageschritte (DE)

## Step 31

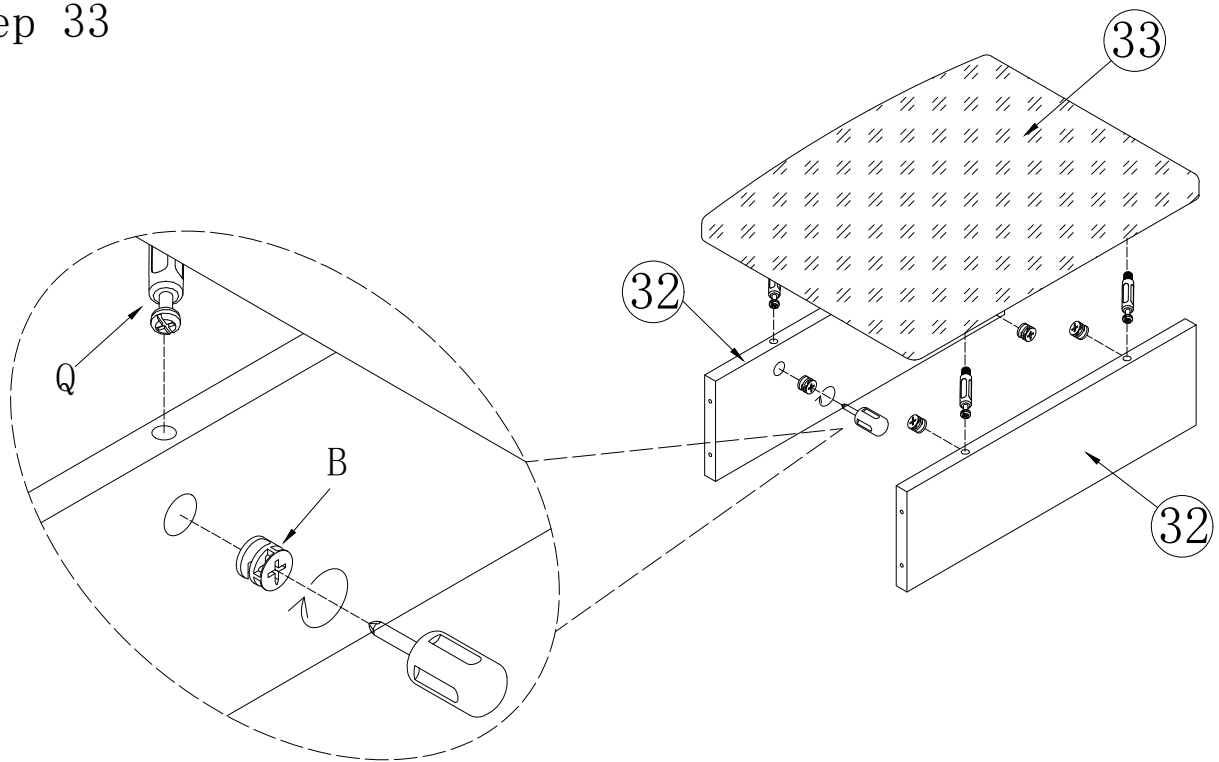




## Step 32



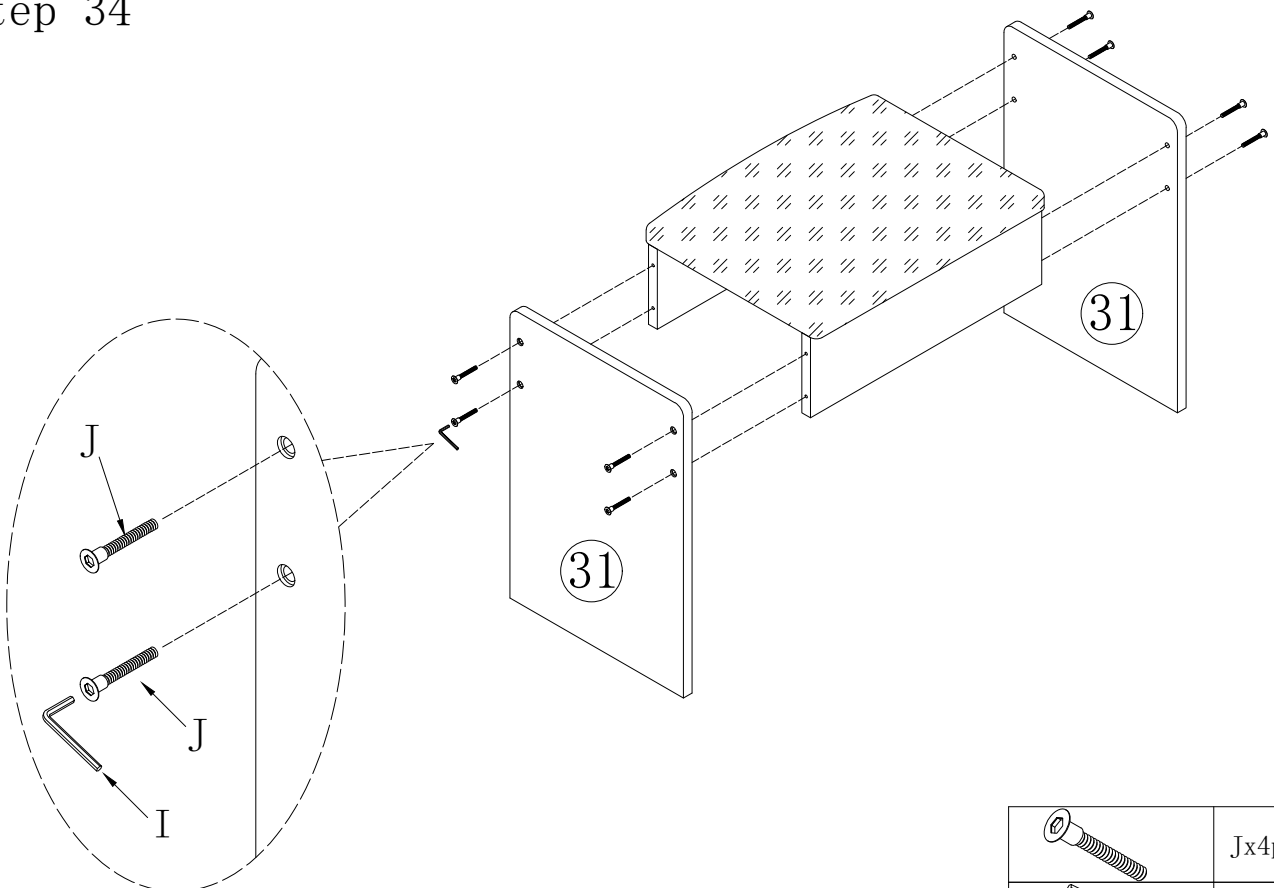
# Assembly Steps (EN) /Montageschritte (DE)

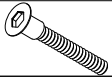

## Step 33



	Qx4pcs
	Bx4pcs

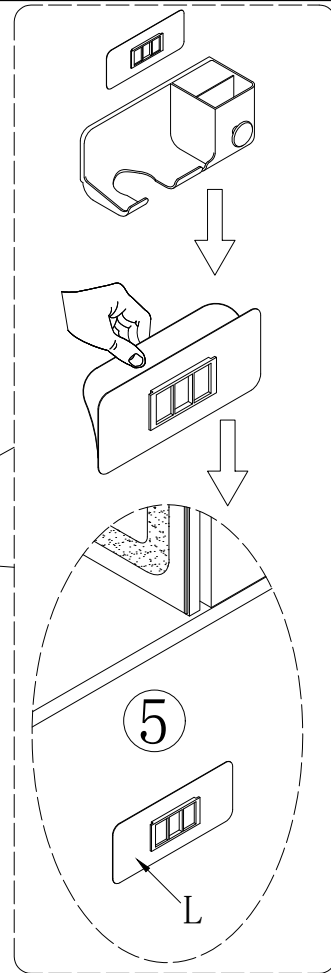
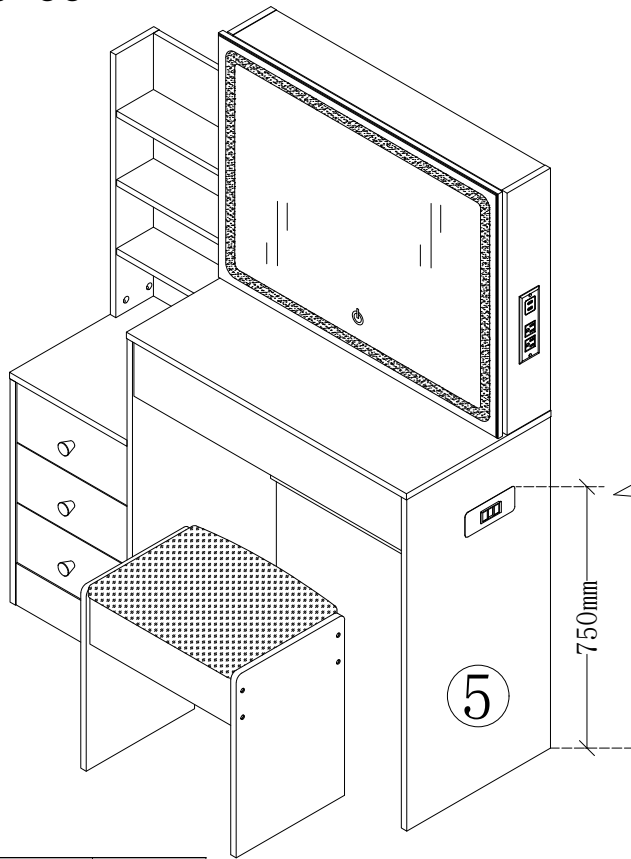
## Step 34



	Jx4pcs
	Ix1pcs

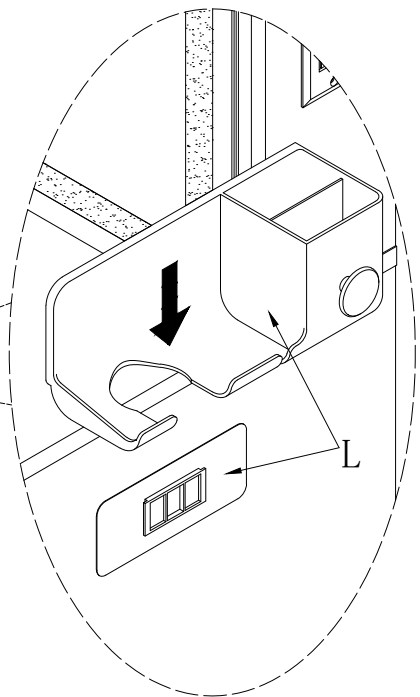
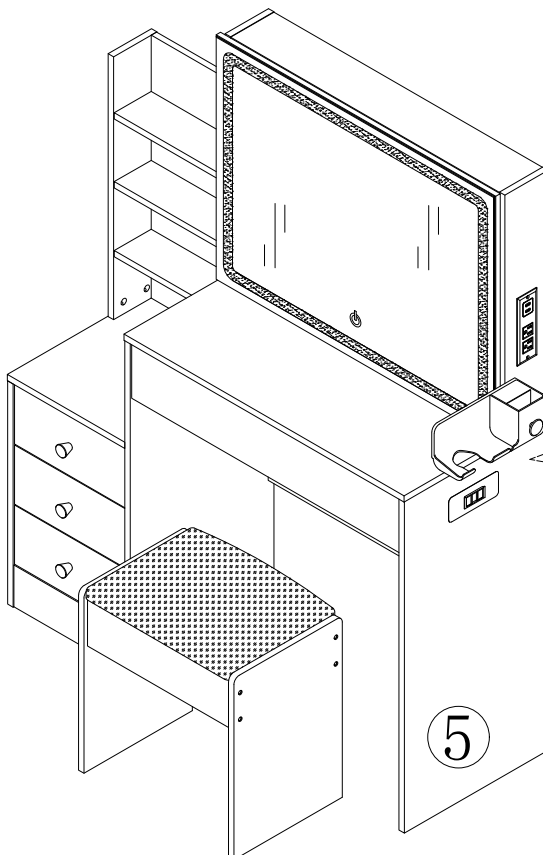
# Assembly Steps (EN) / Montageschritte (DE)

## Step 35



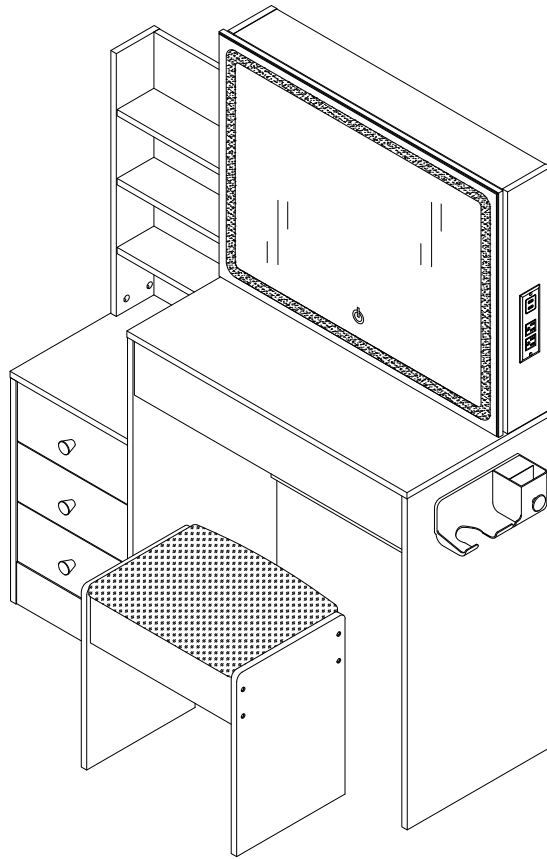
Lx1set

## Step 36

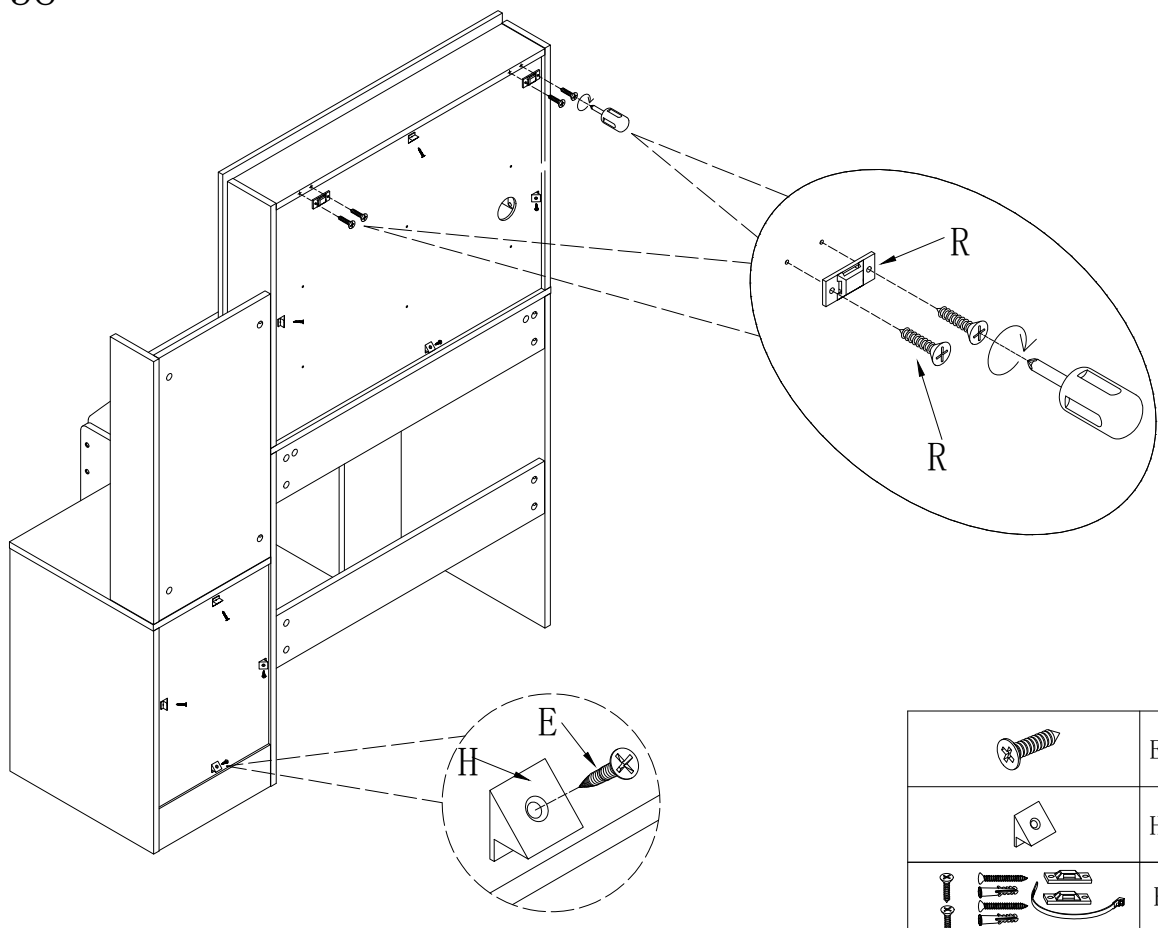


# Assembly Steps (EN) /Montageschritte (DE)

## Step 37

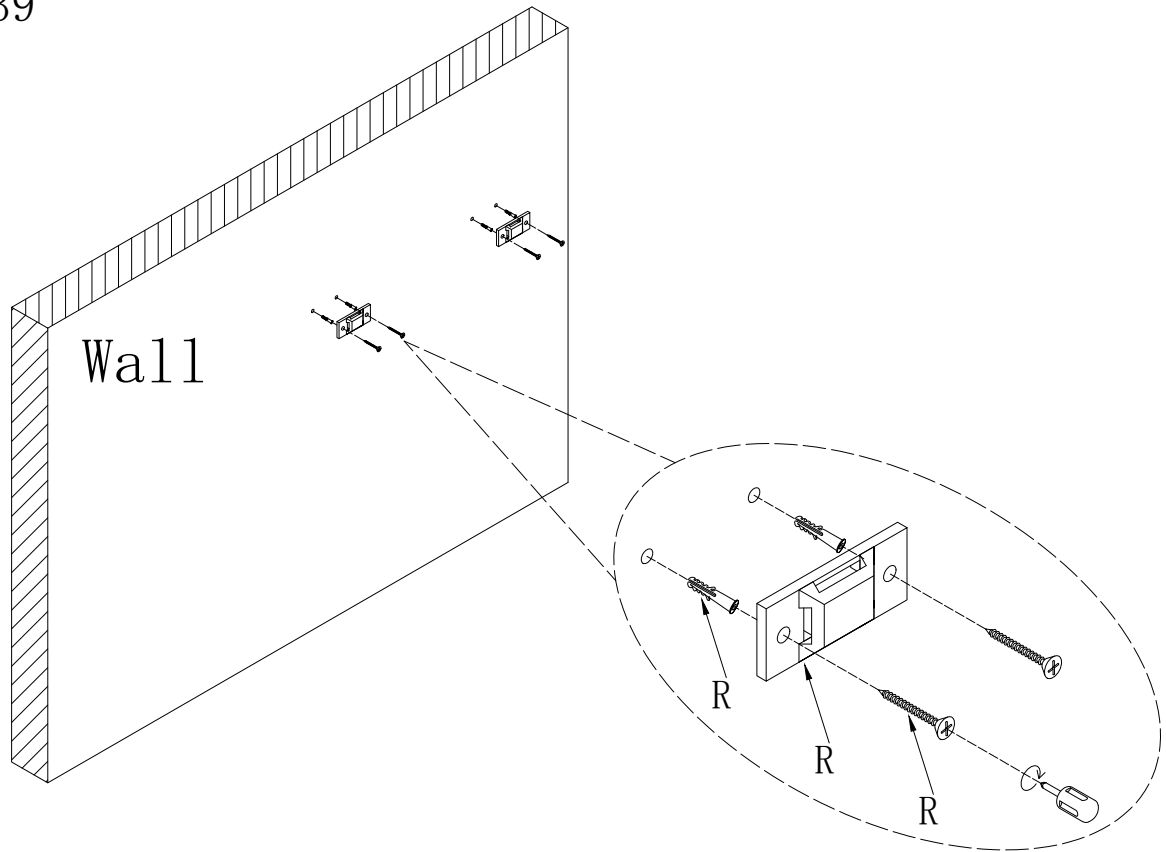


## Step 38

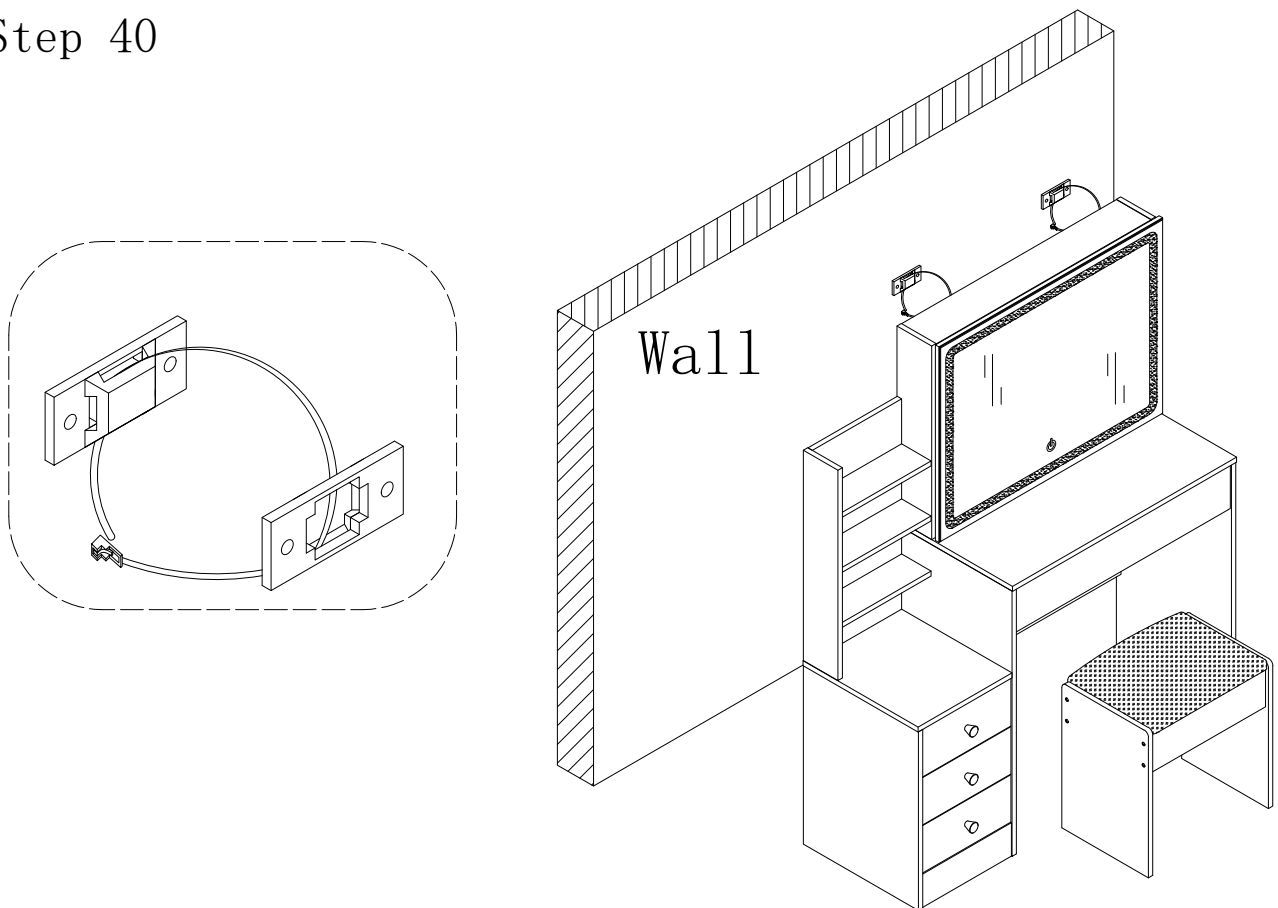


# Assembly Steps (EN) / Montageschritte (DE)

## Step 39



## Step 40



Final