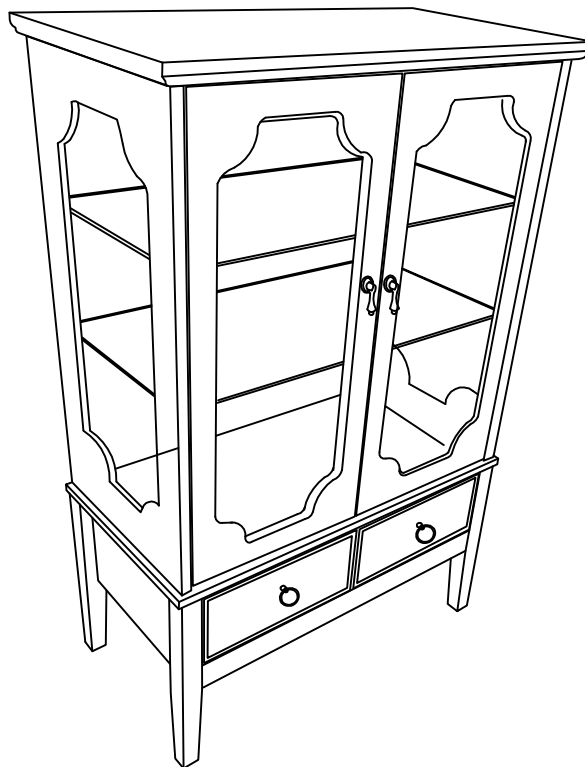


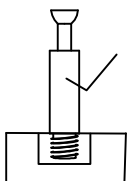
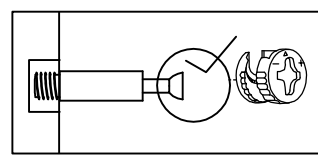
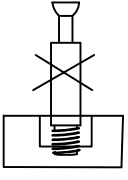
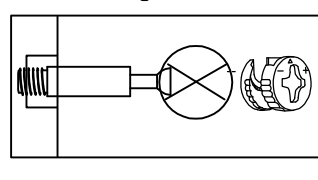
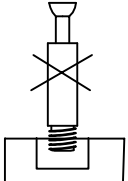
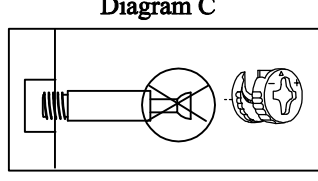
ASSEMBLY INSTRUCTIONS

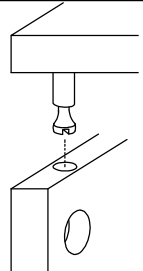
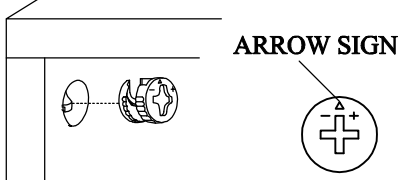
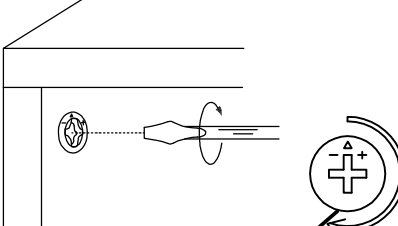


NOTE TO CUSTOMERS:

- For ease and speed of assembly we recommend that before you commence each step of the assembly that you identify all the parts required to complete that step.
- We recommend that where possible you allow sufficient space to assemble the item as close as possible to the place where it will be once assembled.
- For the protection of your furniture we recommend that the product is placed on protected surfaces during assembly to prevent any damage.
- During assembly do not over tighten ,as this may damage the product.
- Please ensure you retain all the product packaging until the item completely assembled.
- Please periodically check all fittings and re-tighten as necessary.
- Never allow any liquids to remain on your furniture as absorption can cause the wood to warp or the finish to de-laminate.
- It is recommended that this item should be assembled by two adults.

To insert a cam lock: (Please read below instructions before assembling)

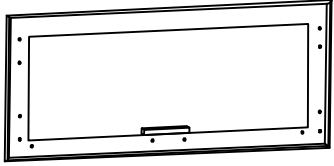
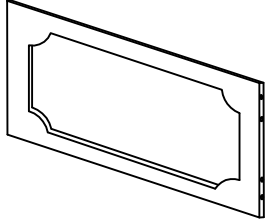
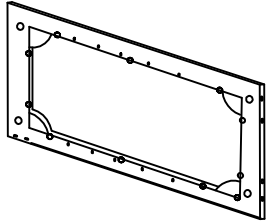
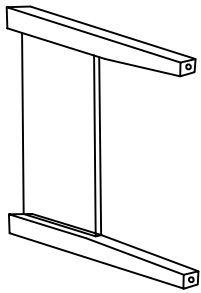
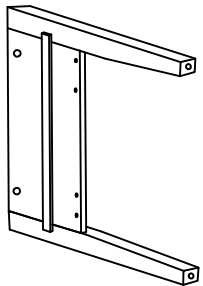
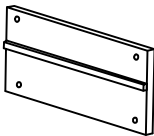
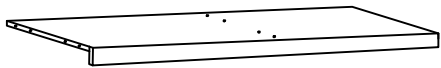
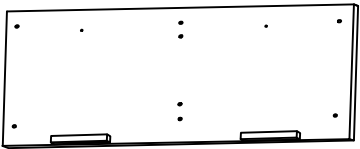

		<p>1. Insert cam screw into hole as shown in diagram A .</p>
		<p>Make sure not to insert the cam screw: Too deep as shown in figure B as this will cause the cam screw to be misaligned and unable to interlock properly.</p>
		<p>Also avoid inserting the cam screw too close to the surface of the hole as shown in figure C, as this will cause the cam lock to be too loose, and not interlock properly.</p>

	<p>2. Connect the panels together.</p>
	<p>3. When inserting the cam lock make sure the arrow of the cam lock faces the cam screw.</p>
	<p>4. To tighten the cam lock turn the cam lock clockwise 90-180 degree or until the arrow is facing opposite the place cam lock was inserted.</p> <p>NOTE: DO NOT USE AN AUTOMATIC SCREWDRIVER TO TIGHTEN CAM LOCKS.</p>




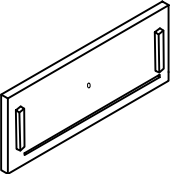
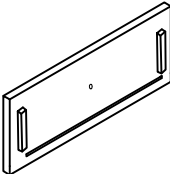
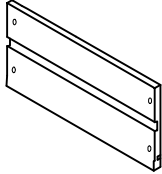
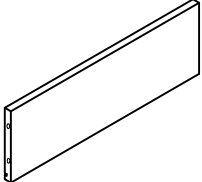
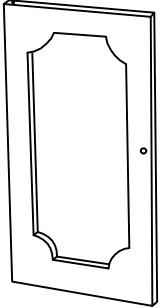
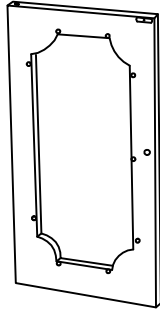
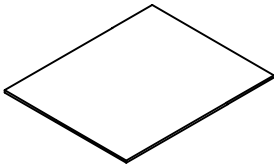
Note:

- Read these instructions carefully before assembling.
- Tools required : Phillips screwdriver, flat screwdriver.
- Find a clean, smooth area on which to work , such as a carpet, in order to avoid scratching the wood surfaces.
- Wait to dispose of the packing material until assembly is complete and all parts and hardware are accounted for.
- Two or more people might be required for assembly.

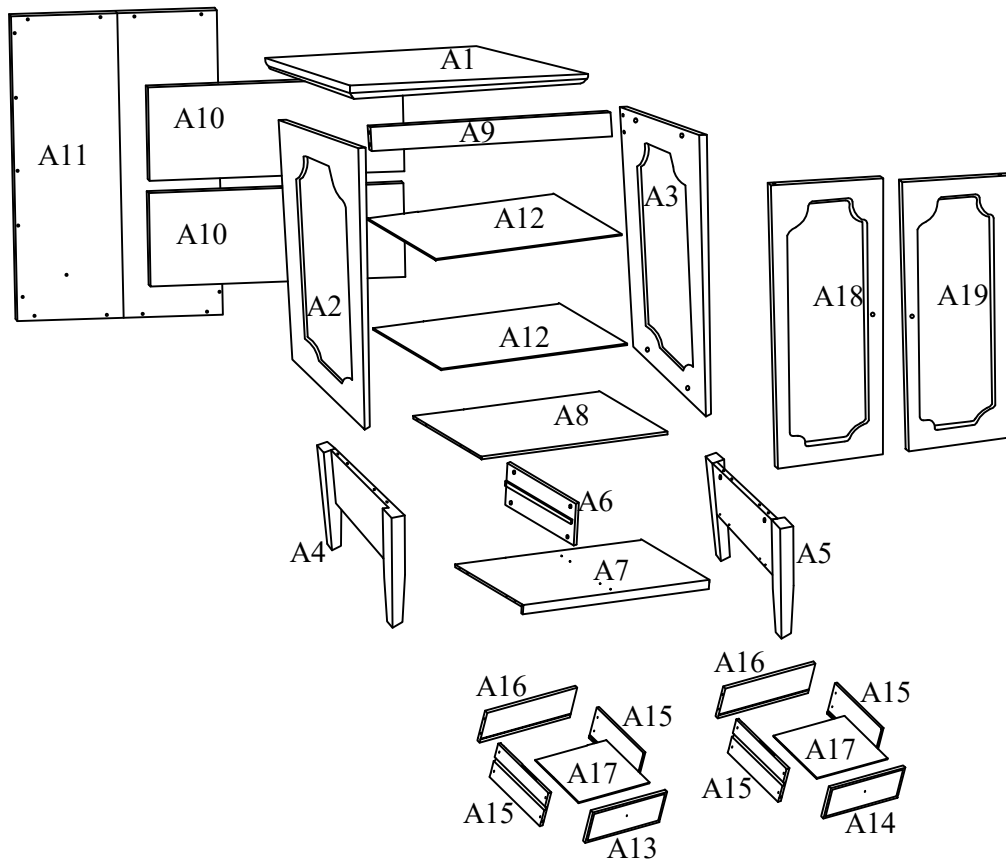
Part List

<p>A1 Quantity of 1</p>  <p>Top Panel</p>	<p>A2 Quantity of 1</p>  <p>Side Panel(Left)</p>	<p>A3 Quantity of 1</p>  <p>Side Panel(Right)</p>
<p>A4 Quantity of 1</p>  <p>Leg(Left)</p>	<p>A5 Quantity of 1</p>  <p>Leg(Right)</p>	<p>A6 Quantity of 1</p>  <p>Divider</p>
<p>A7 Quantity of 1</p>  <p>Bottom Panel</p>	<p>A8 Quantity of 1</p>  <p>Shelf Panel</p>	<p>A9 Quantity of 1</p>  <p>Connect Bar</p>

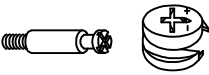

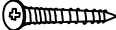

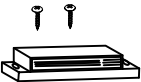


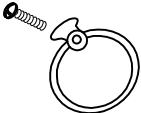


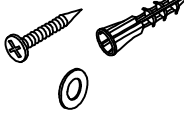
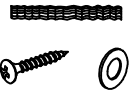
Part List

<p>A10 Quantity of 2</p> <div style="text-align: center; margin: 20px 0;">  </div> <p>Mirror</p>	<p>A11 Quantity of 1</p> <div style="text-align: center; margin: 20px 0;">  </div> <p>Back Panel</p>	<p>A12 Quantity of 2</p> <div style="text-align: center; margin: 20px 0;">  </div> <p>Glass Shelf Panel</p>
<p>A13 Quantity of 1</p> <div style="text-align: center; margin: 20px 0;">  </div> <p>Left Drawer Front Panel</p>	<p>A14 Quantity of 1</p> <div style="text-align: center; margin: 20px 0;">  </div> <p>Right Drawer Front Panel</p>	<p>A15 Quantity of 4</p> <div style="text-align: center; margin: 20px 0;">  </div> <p>Drawer Side Panel</p>
<p>A16 Quantity of 2</p> <div style="text-align: center; margin: 20px 0;">  </div> <p>Drawer Back Panel</p>	<p>A18 Quantity of 1</p> <div style="text-align: center; margin: 20px 0;">  </div> <p>Door Pin</p>	<p>A19 Quantity of 1</p> <div style="text-align: center; margin: 20px 0;">  </div> <p>Door Panel(Right)</p>
<p>A17 Quantity of 2</p> <div style="text-align: center; margin: 20px 0;">  </div> <p>Drawer Bottom Panel</p>	<p>Door Panel(Left)</p>	<p>Door Panel(Right)</p>

Part List

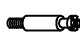




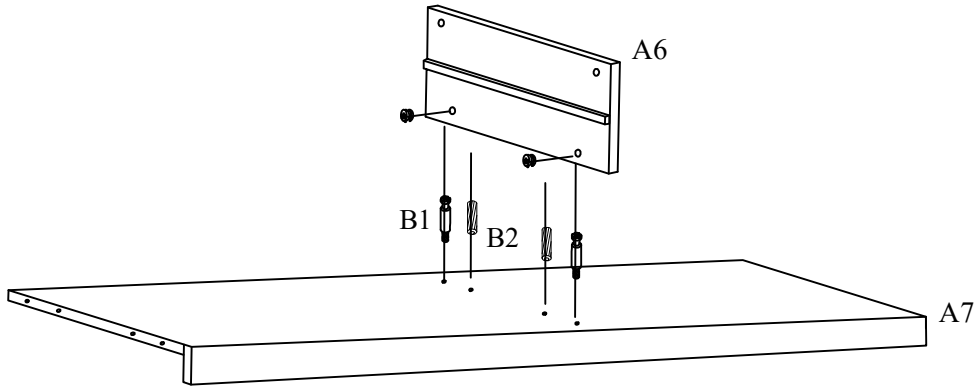
Hardware List

<p>B1</p> <p style="text-align: right;">Quantity of 22</p>  <p>Camlock</p>	<p>B2</p> <p style="text-align: right;">Quantity of 18</p>  <p>$\text{Ø}1/4" \times 1.25"$</p> <p>Wood Dowel</p>	<p>B3</p> <p style="text-align: right;">Quantity of 16</p>  <p>Screw</p>	<p>B4</p> <p style="text-align: right;">Quantity of 20</p>  <p>Screw</p>
<p>B5</p> <p style="text-align: right;">Quantity of 1</p>  <p>Magnet with Screw</p>	<p>B6</p> <p style="text-align: right;">Quantity of 2</p>  <p>Stopper</p>	<p>B7</p> <p style="text-align: right;">Quantity of 8</p>  <p>Shelf Supporter</p>	<p>B8</p> <p style="text-align: right;">Quantity of 2</p>  <p>Drawer Handle with Bolt</p>
<p>B9</p> <p style="text-align: right;">Quantity of 2</p>  <p>Door Handle with Bolt</p>	<p>B10</p> <p style="text-align: right;">Quantity of 4</p>  <p>Door Pin</p>	<p>B11</p> <p style="text-align: right;">Quantity of 1</p>  <p>Anchor with Screw</p>	<p>B12</p> <p style="text-align: right;">Quantity of 1</p>  <p>Anti-tip Kit</p>

Assembly instructions

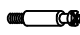


Step 1:

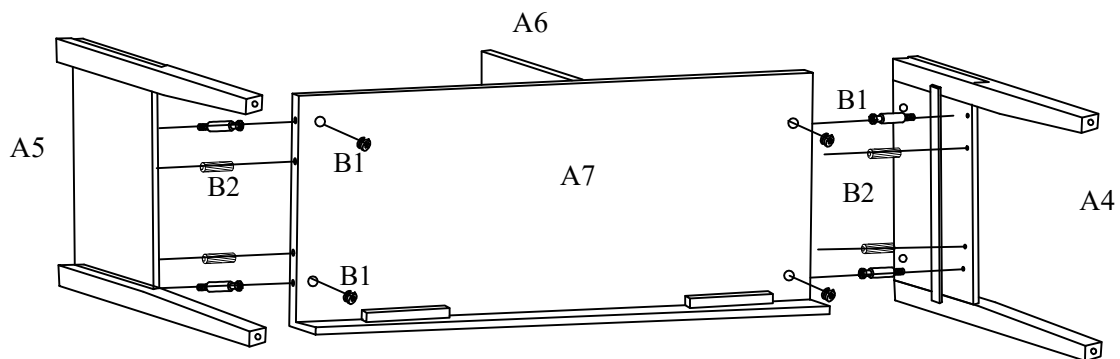
B1			2SETS
B2			2PCS



Assemble Divider A6 to Bottom Panel A7 using Cam-Bolts B1 and Wood Dowels B2 as shown above.



Step 2:

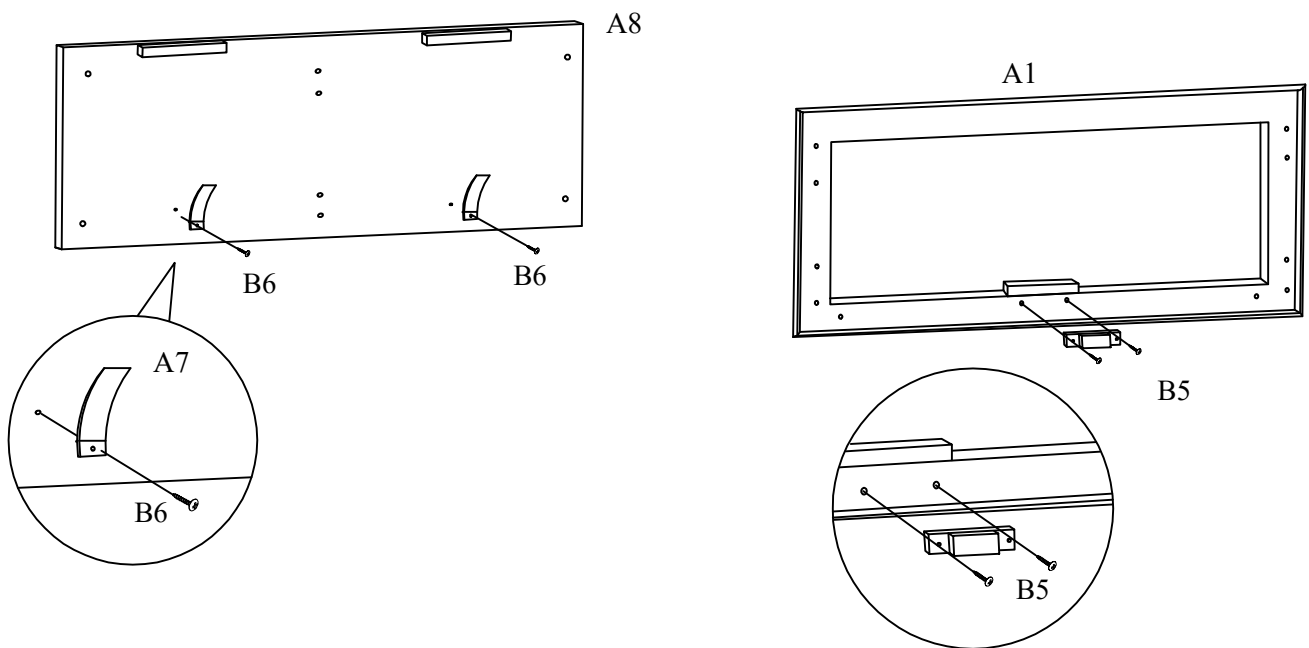
B1			4SETS
B2			4PCS



Assemble Legs A4&A5 to Bottom Panel A7 using Cam-Bolts B1 and Wood Dowels B2 as shown above.

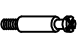


Step 3:

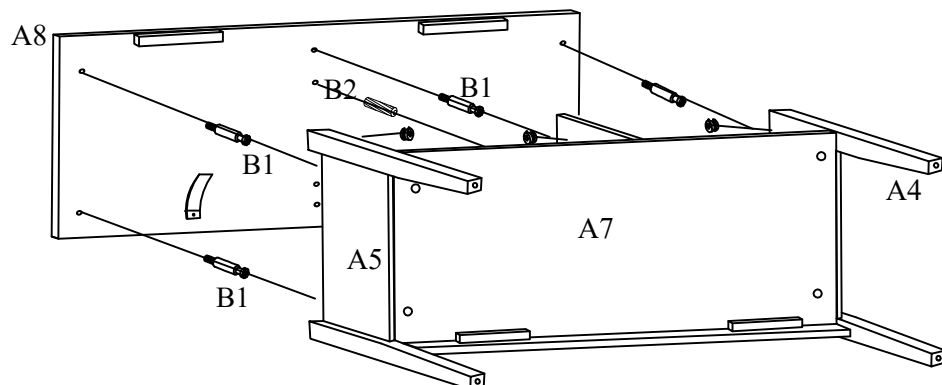
B5		1SET
B6		2SETS



- 1). Assemble Stoppers B6 to the bottom of Shelf Panel A8 using Included Screws.
- 2). Assemble Magnet B5 to the bottom of Top Panel A1 using included Screws as shown above.

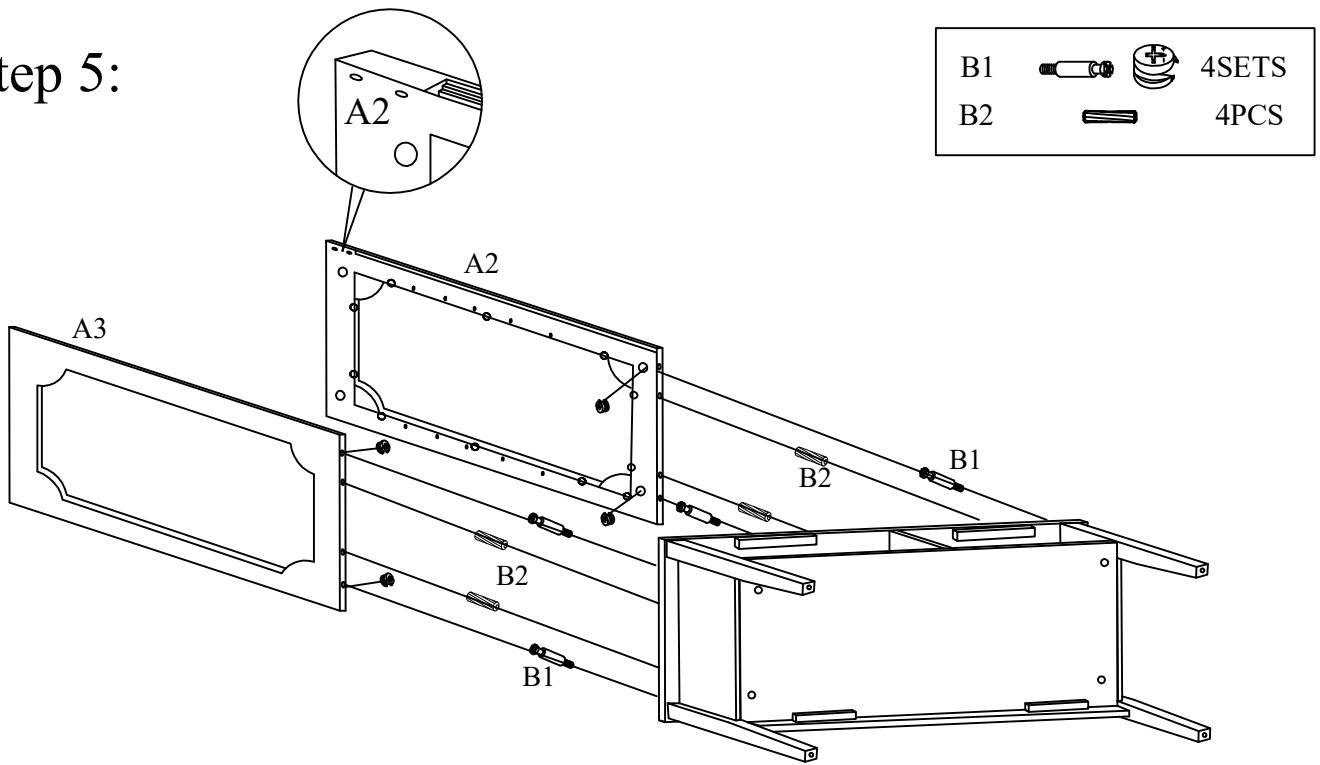
Step 4:

B1			6SETS
B2			2PCS



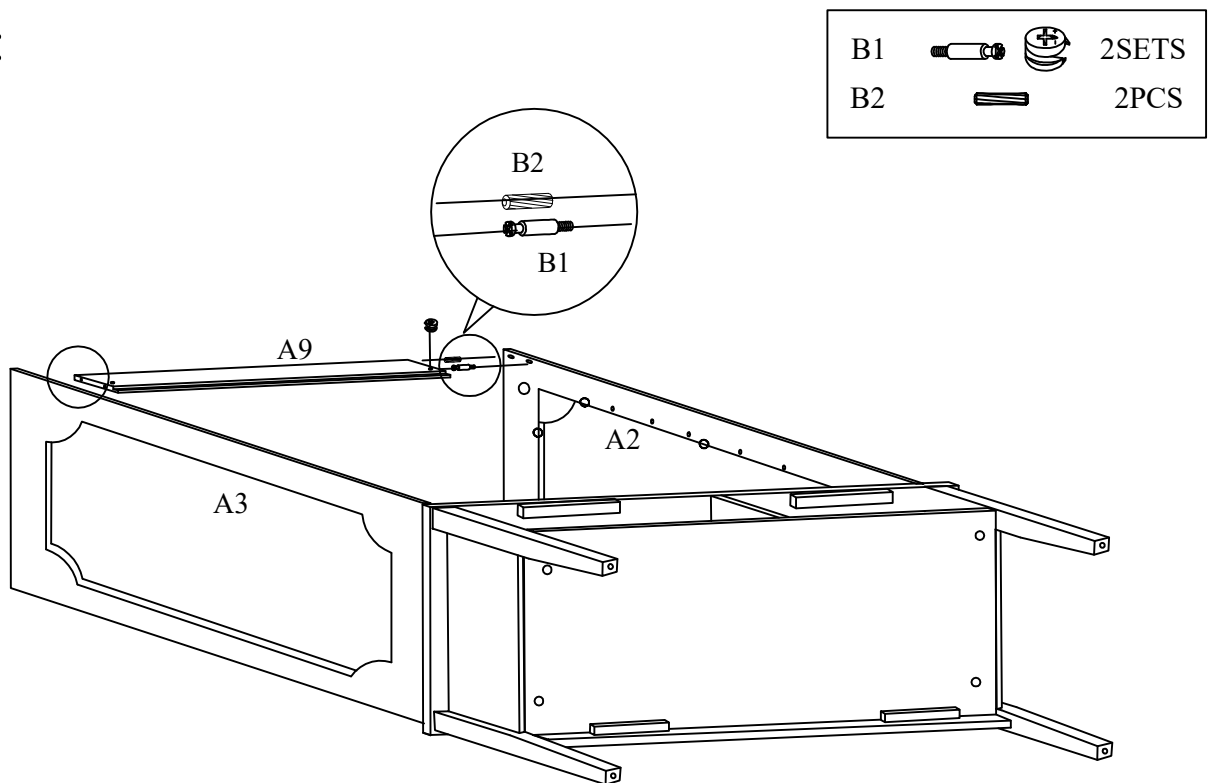
Assemble Shelf Panel A8 to Legs A4&A5 and Divider A6 using Cam-Bolts B1 and Wood Dowels B2 as shown above.

Step 5:



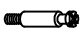


Assemble Side Panels A2&A3 to Shelf Panel A8 using Cam-Bolts B1 and Wood Dowels B2 as shown above.

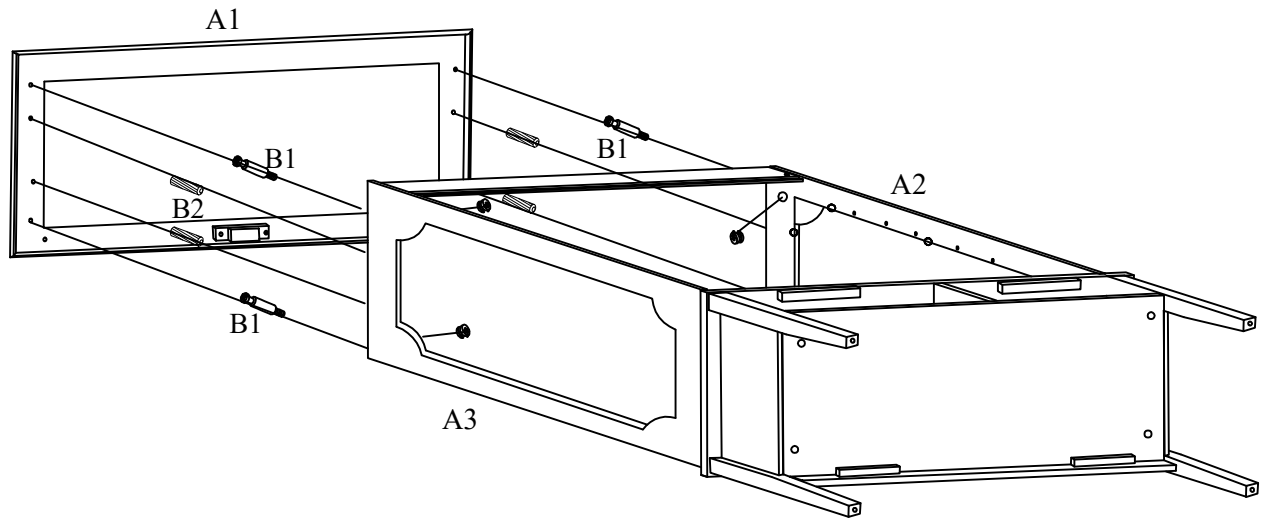
Step 6:



Assemble Connect Bar A9 to Side Panels A2&A3 using Cam-Bolts B1 and Wood Dowels B2 as shown above.

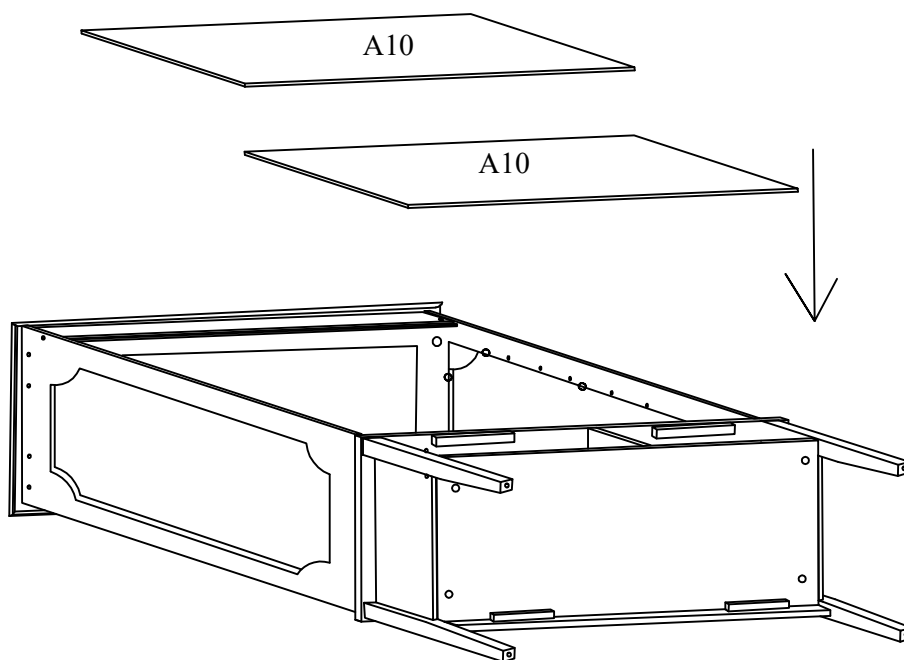
Step 7:

B1			4SETS
B2			4PCS



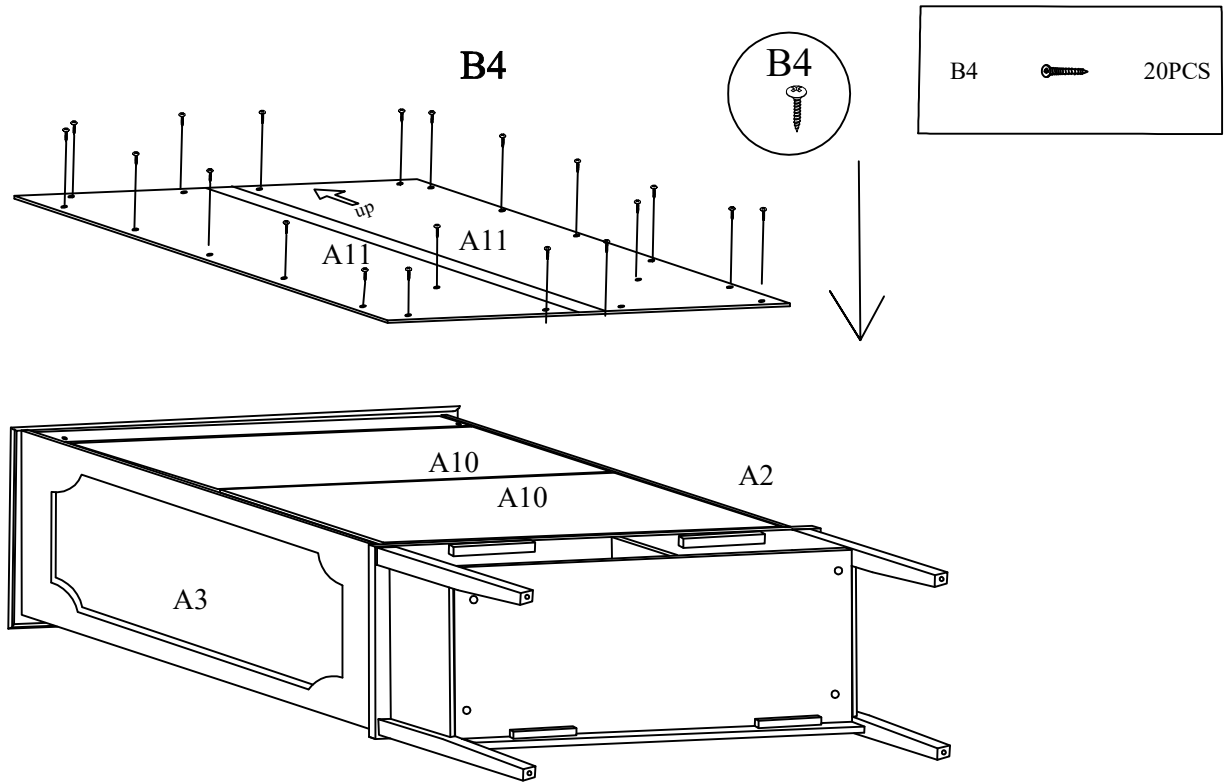
Assemble Top Panel A1 to Side Panels A2&A3 using Cam-Bolts B1 and Wood Dowels B2 as shown above.

Step 8:



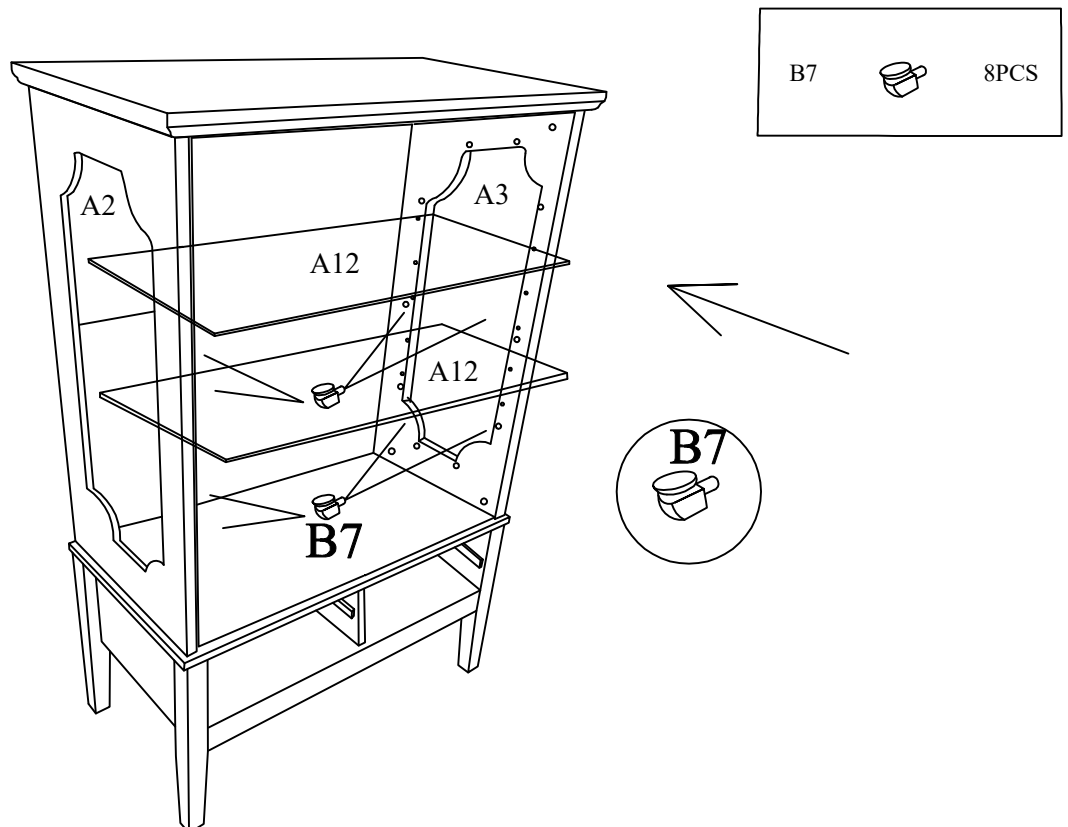
Place Mirrors A10 onto the connect bar A9 ,Side Panels A2 & A3, Shelf A8 as shown above.

Step 9:



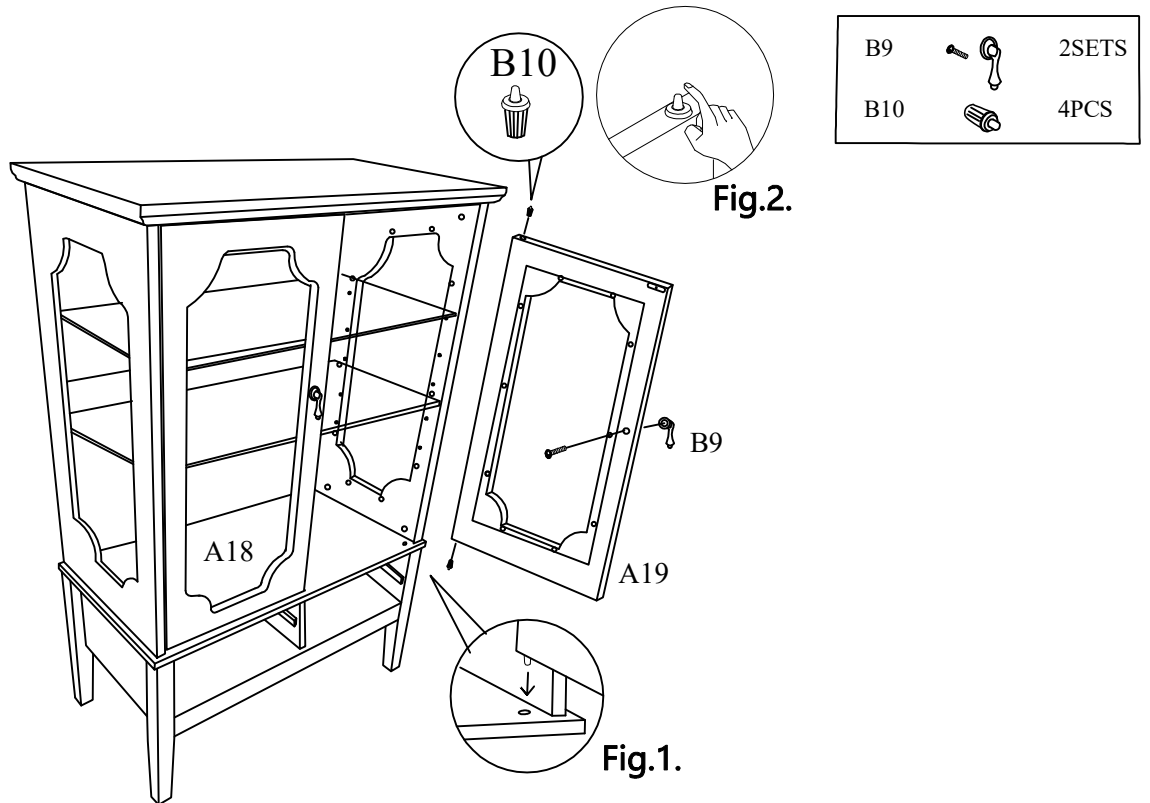
Assemble Back Panel A11 to the back of this unit using Screws B4 as shown above.

Step 10:



Insert the Shelf Supporters B7 into the holes of the Side Panels A2&A3, then put the Glass Shelf Panels A12 onto the Shelf Supporters B7.

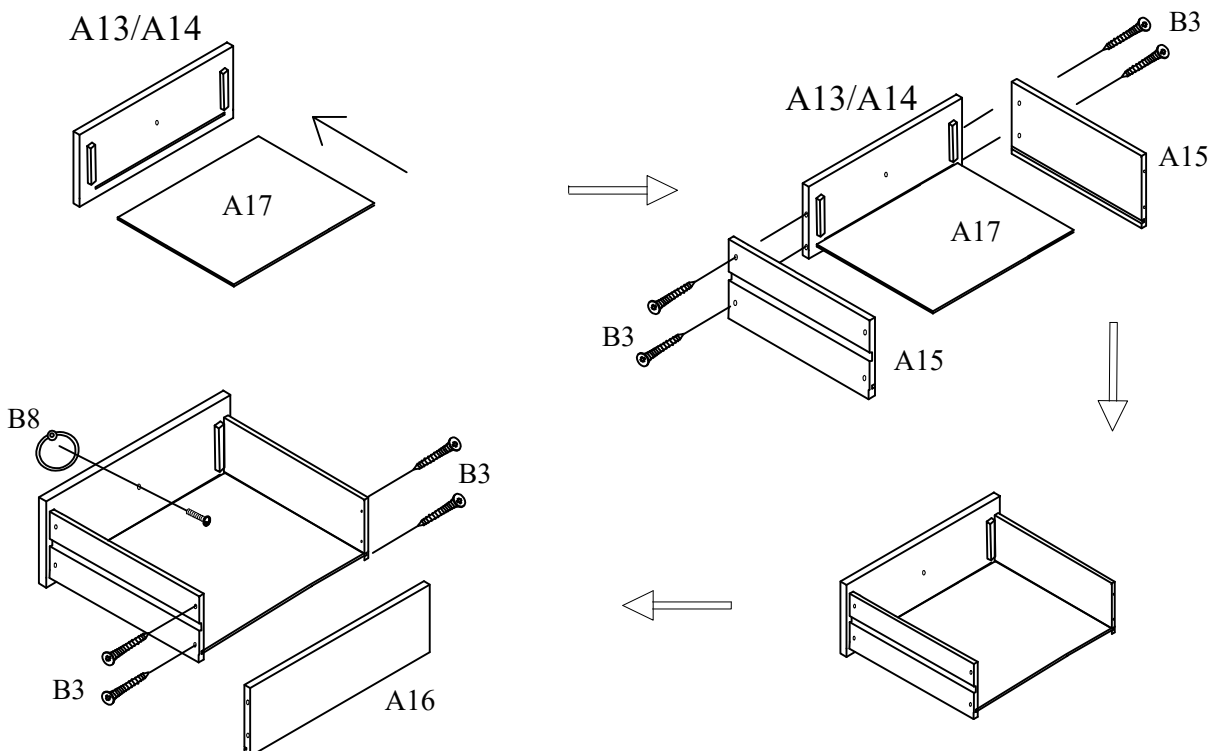
Step 11:



Insert Door Pins B10 into the hole on the two ends of Door Panel A19. Then attach Door Handle B9 to Door Panel A19 using included screws.

Connect Door Panel A19 to Shelf Panel A8, refer to Fig.1. Then press down Door Pin B10 (see Fig.2.) and hold the Door Panel carefully into the cabinet with the upper pin popping up into the hole of Top Panel A1. Repeat above steps to assemble Door Panel A18.

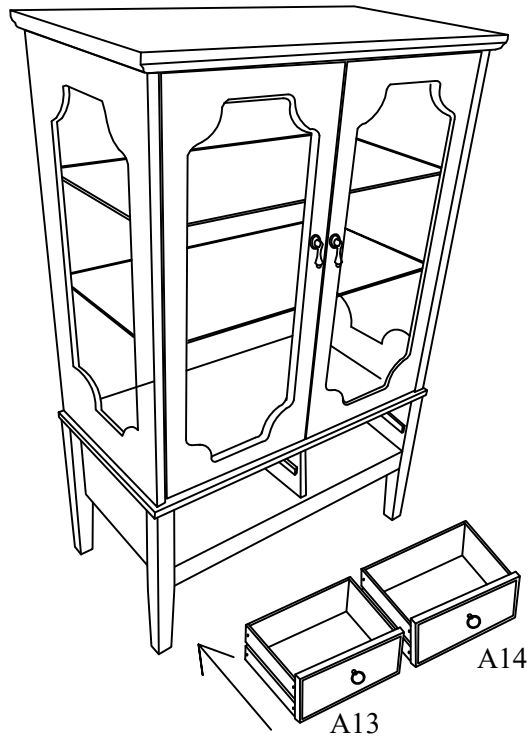
Step 12:



Insert Drawer Bottom Panel A17 into the grooves on Drawer Front Panels A13&A14. Attach Drawer Side Panels A15 to Drawer Front Panels A13&A14 using Screws B3. Attach Drawer Back Panel A16 to Drawer Side Panels A15 using Bolts B3. Attach Drawer Handles B8 to Drawer Front Panels A13&14 using Included bolts.

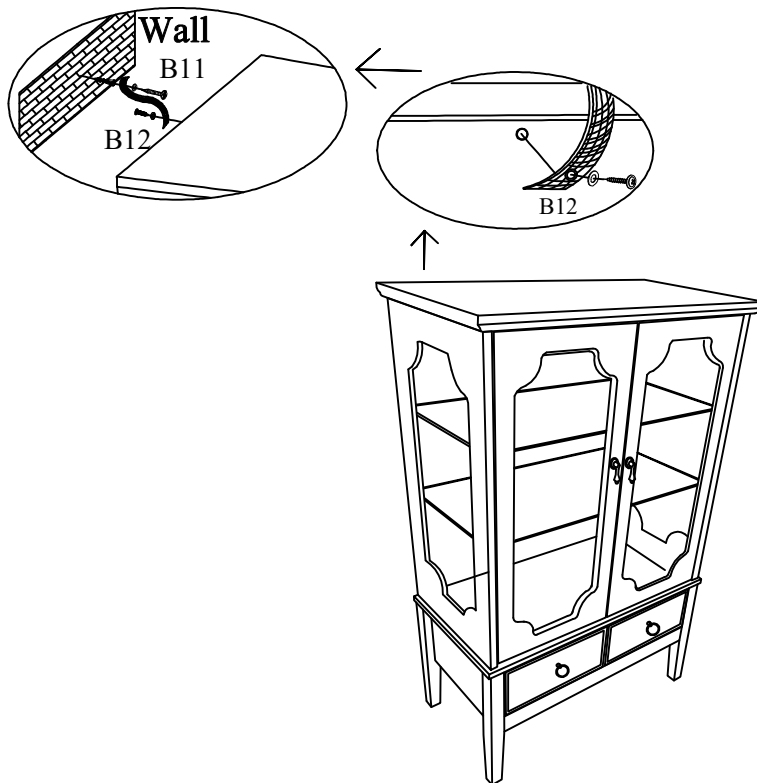
B3		16PCS
B8		2SETS



Step 13:



Insert Drawers into the curio as shown above.

Step 14:



B11		1SET
B12		1SET

For your safety , please attach Anti-tip Kit B12 nylon strap to the Back Panel A11, then attach the other end of the nylon strap to the wall using Anchor and Screw B11 as shown above.