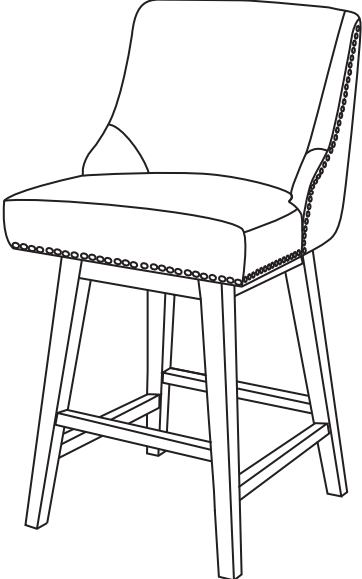


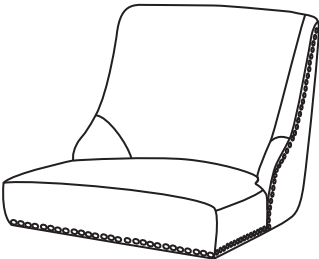
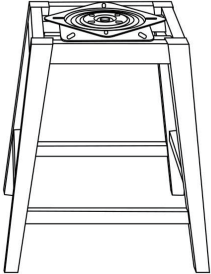

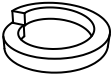

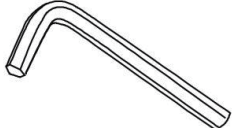
Assembly Manual

Counter & Bar Height Swivel Stool

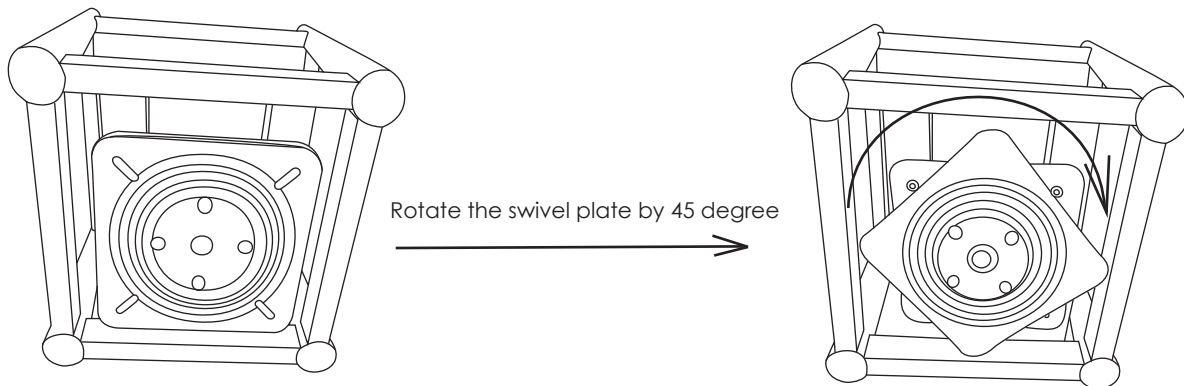


CAUTION

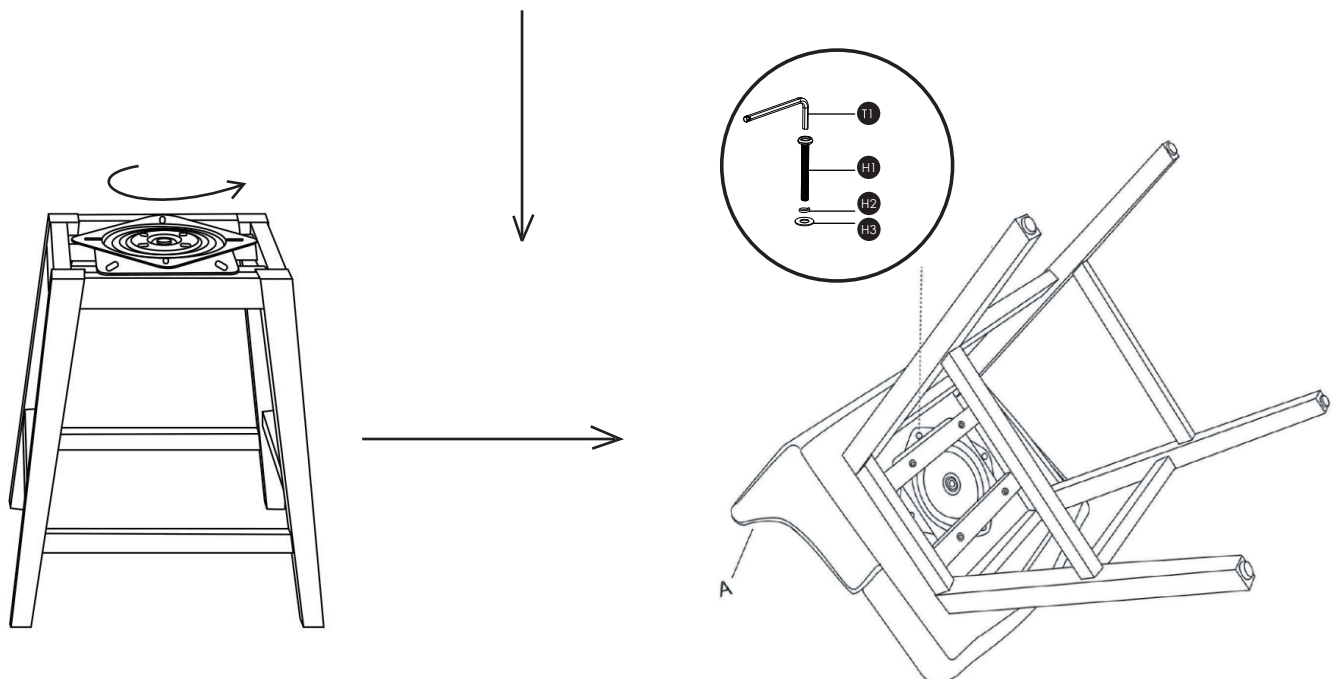
THIS ASSEMBLY MANUAL CONTAINS IMPORTANT SAFETY INFORMATION.
PLEASE READ AND KEEP FOR FUTURE REFERENCE.

<p>Ax1</p> 	<p>Bx1</p> 	<p>H1x4</p> 
<p>H2x4</p> 	<p>H3x4</p> 	<p>T1 x1</p> 

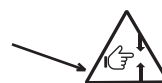
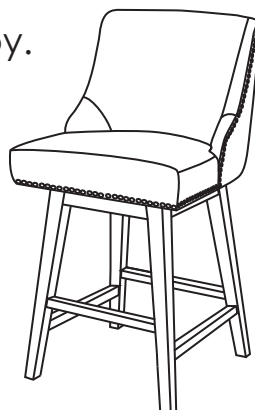
- 1 Flip over the stool seat bucket.
- 2 Slightly rotate the top swivel plate approximately 45 degrees.



- 3 Place the swivel stool base on the stool seat bucket bottom and insert Long Bolts (H1) into each corner and tighten.



- 4 Assembly complete. Enjoy.



CAUTION: PINCH POINT.
Please keep hands clear during swivel.