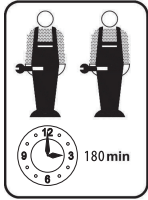
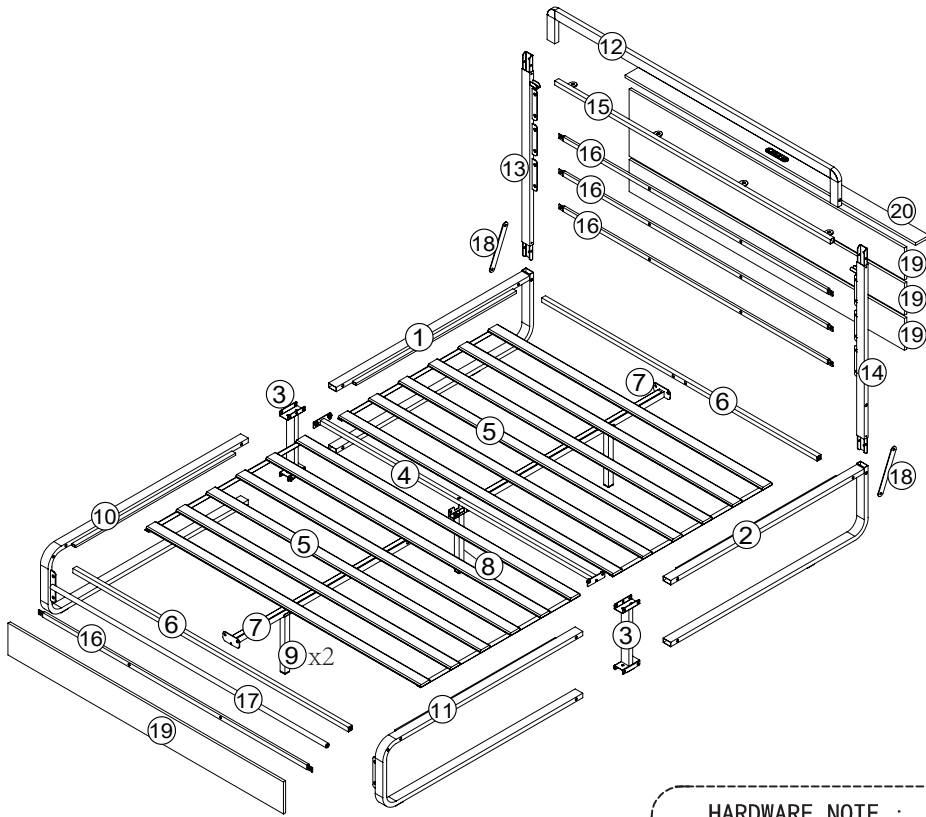



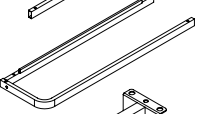
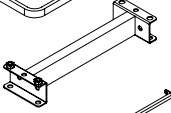
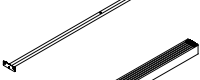
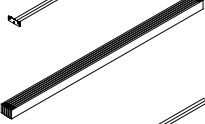
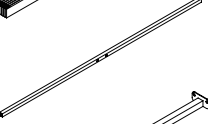
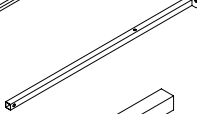
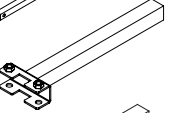
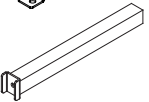
Assembly Instruction

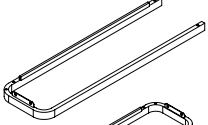
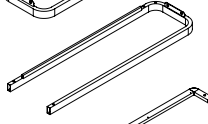

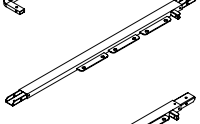
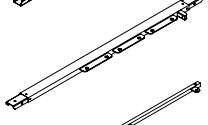
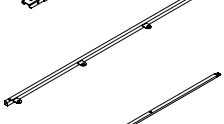
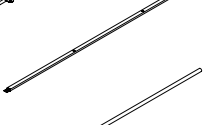
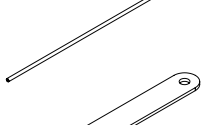
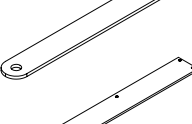



Important Note

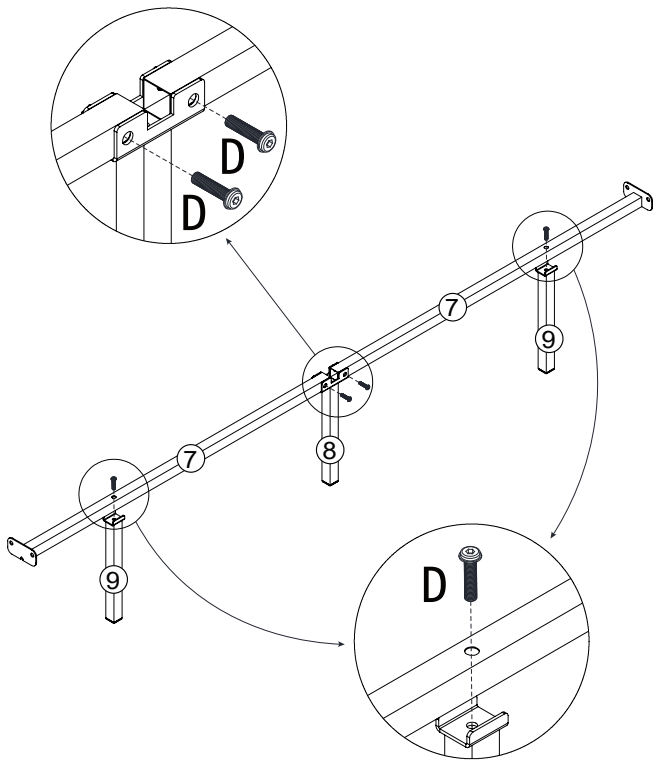
HARDWARE NOTE :
 1. Two or more people are required for assembly
 2. Do not screw on the bolts too tight unless the installation is done. Make sure all bolts are tightly screwed before you use it.

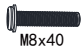
Components

-  1 x1pc
-  2 x1pc
-  3 x2pcs
-  4 x1pc
-  5 x2pcs
-  6 x2pcs
-  7 x2pcs
-  8 x1pc
-  9 x2pcs

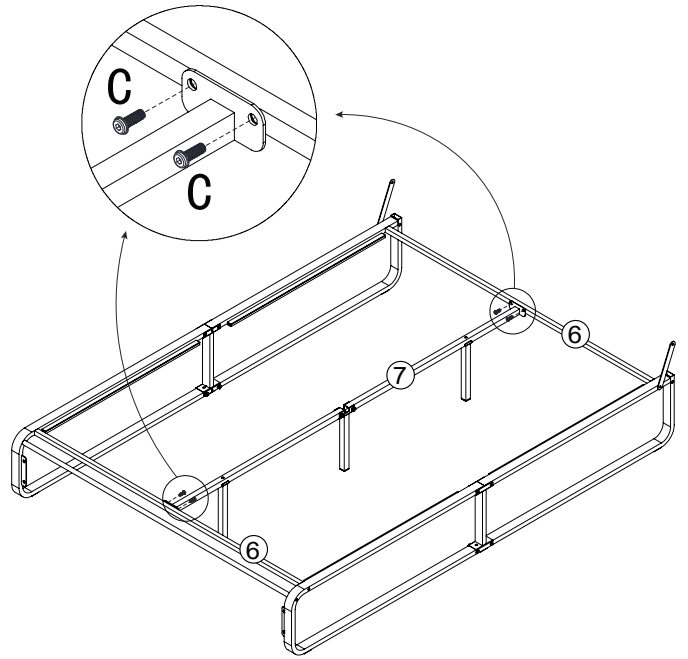
-  10 x1pc
-  11 x1pc
-  12 x1pc
-  13 x1pc
-  14 x1pc
-  15 x1pc
-  16 x4pcs
-  17 x1pc
-  18 x2pcs
-  19 x4pcs


3



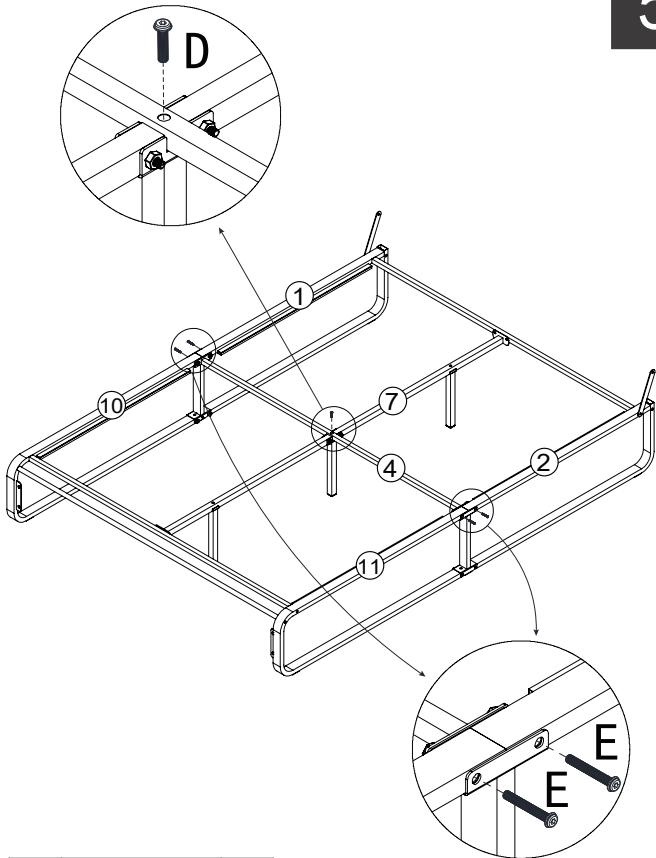
D		4pcs
M8x40		

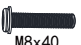

4



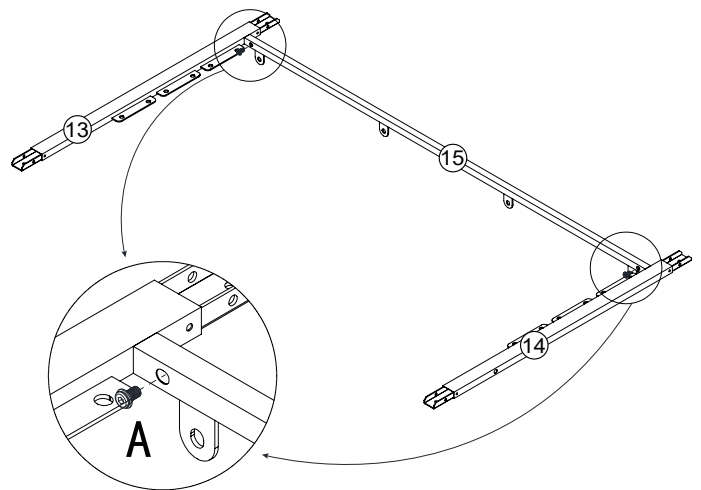
C		4pcs
M8x20		

5



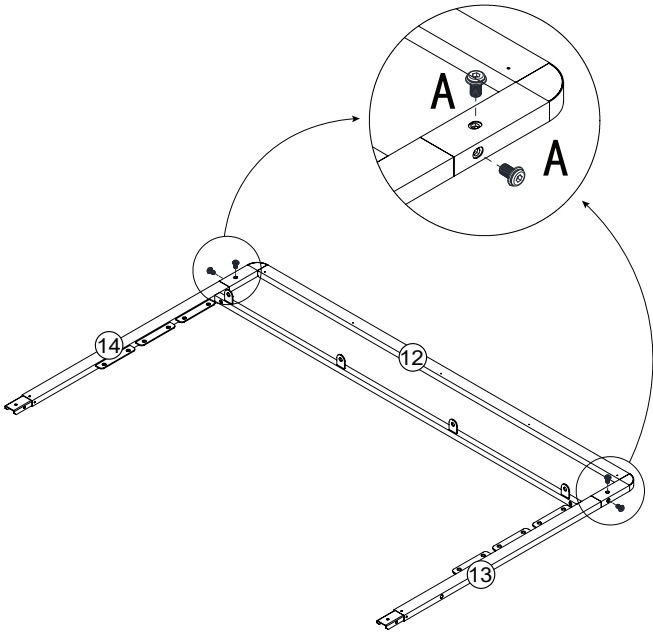
D		1pc
M8x40		
E		4pcs
M8x55		

6



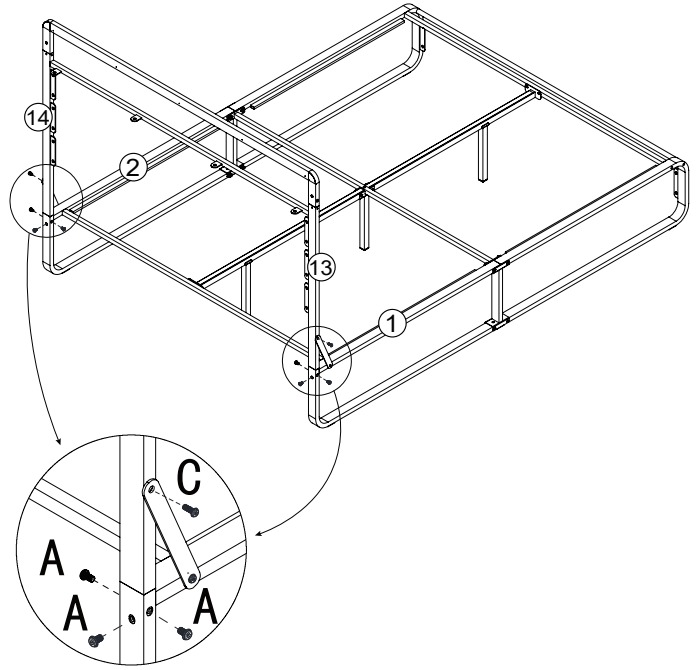
A		2pcs
M8x12		



7



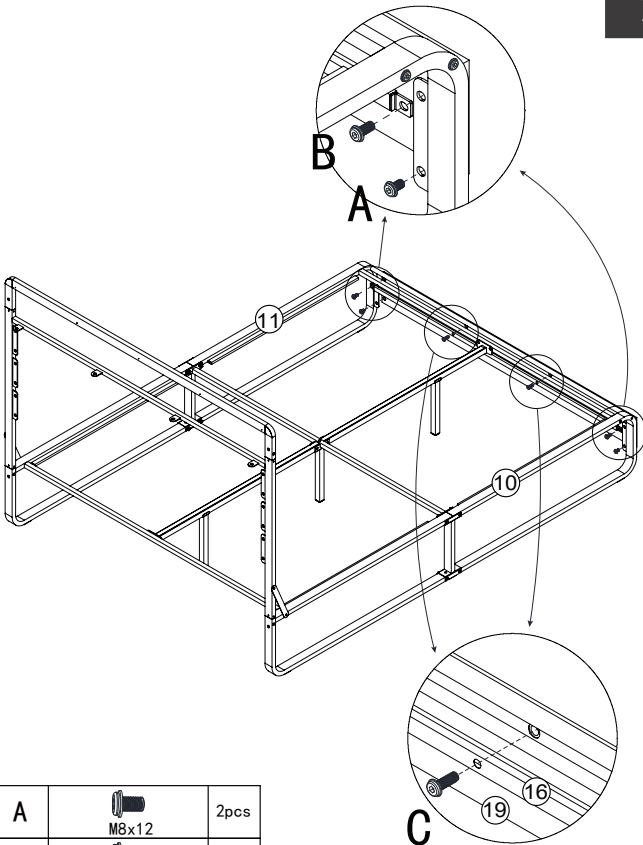
A		4pcs
	M8x12	




8



A		6pcs
	M8x12	
C		2pcs
	M8x20	

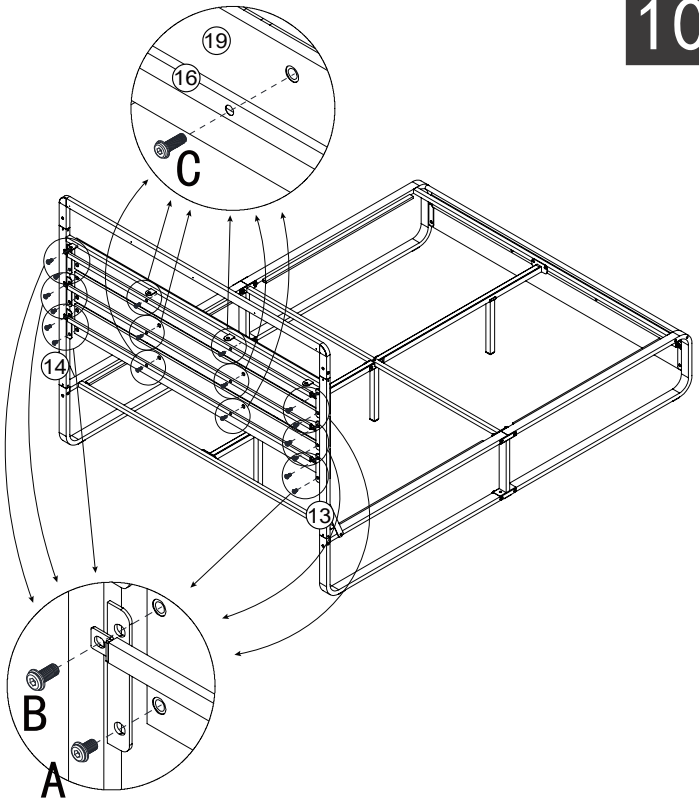
9






A		2pcs
	M8x12	
B		2pcs
	M8x14	
C		2pcs
	M8x20	

Black zinc

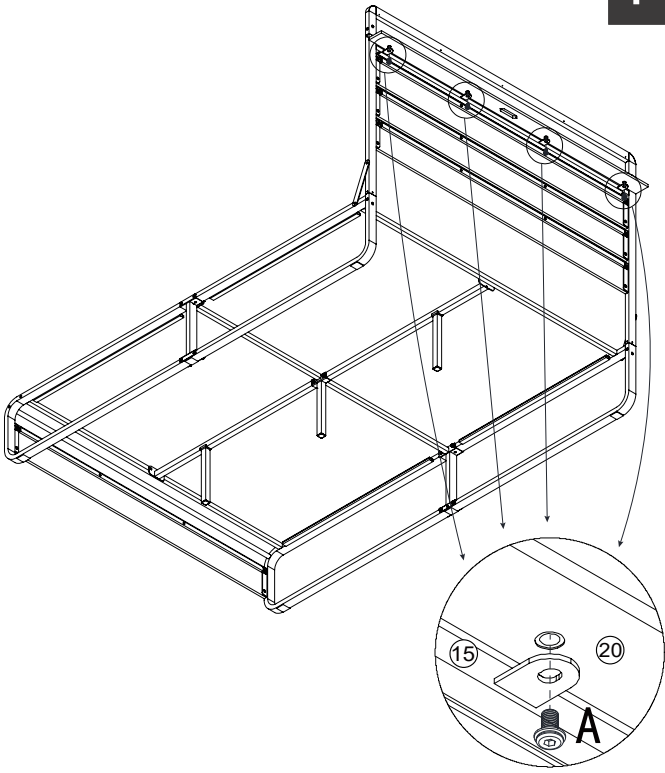
10



A		6pcs
	M8x12	
B		6pcs
	M8x14	
C		6pcs
	M8x20	

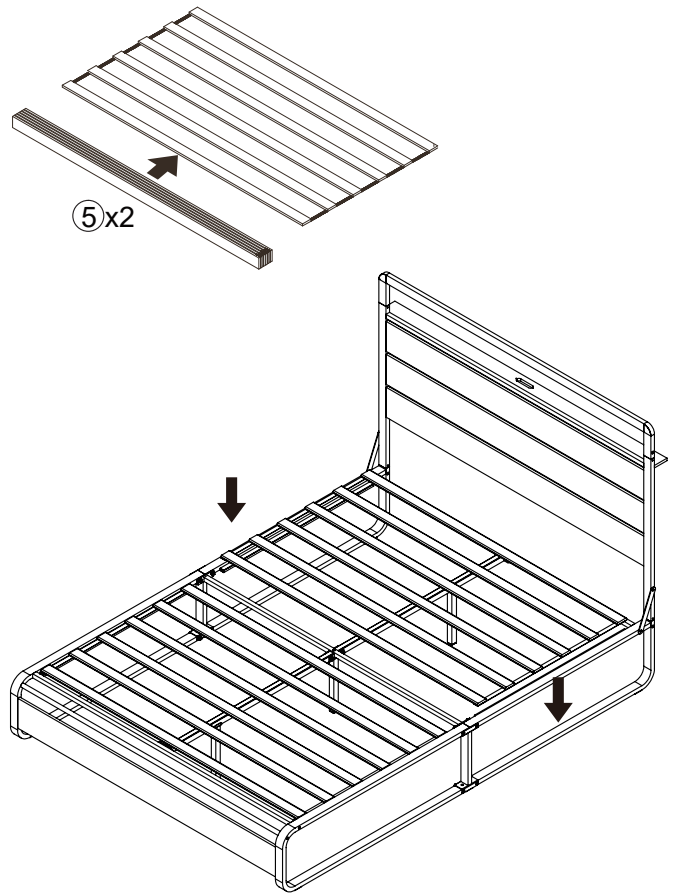
Black zinc

11

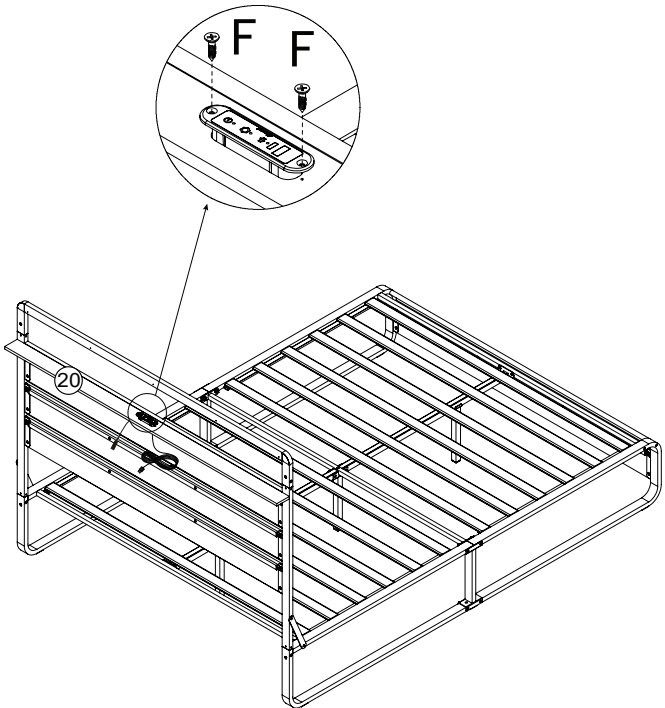


A	 M8x12	4pcs
---	---	------

12

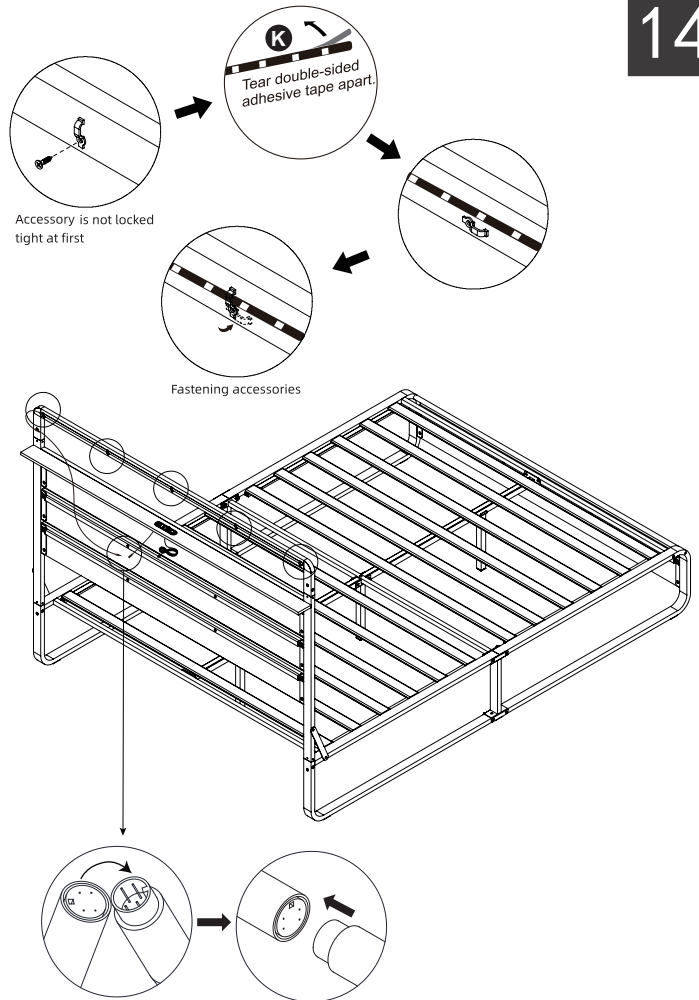


13



F	 ST3.5x12	2pcs
---	---	------

14





Finish