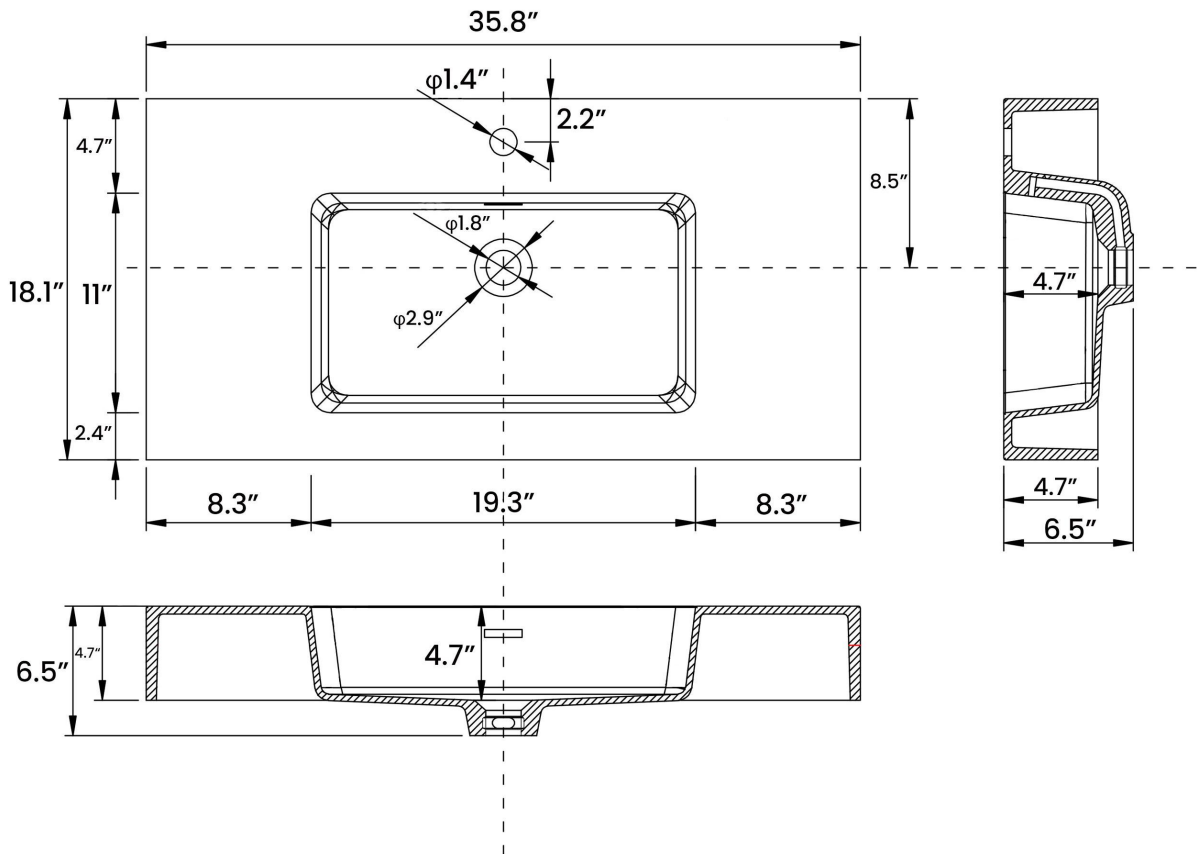


\* All measurements are approximate. Measurements may vary  $\pm 1/2$ ".



\* All measurements are approximate. Measurements may vary  $\pm 1/2$ ".