

INSTRUCTION MANUAL

12FT x 24FT Gazebo

**IF YOU PURCHASED THE PRODUCT ONLINE AND HAVE ANY
QUESTIONS OR CONCERNS PLEASE
CONTACT US WITH EMAIL OR TEXT**

EMAIL: yardsightfurniture@outlook.com

TEXT: +1 323-400-0363

Thank you for your purchase of Gazebo and follow this assembly and operation guide.

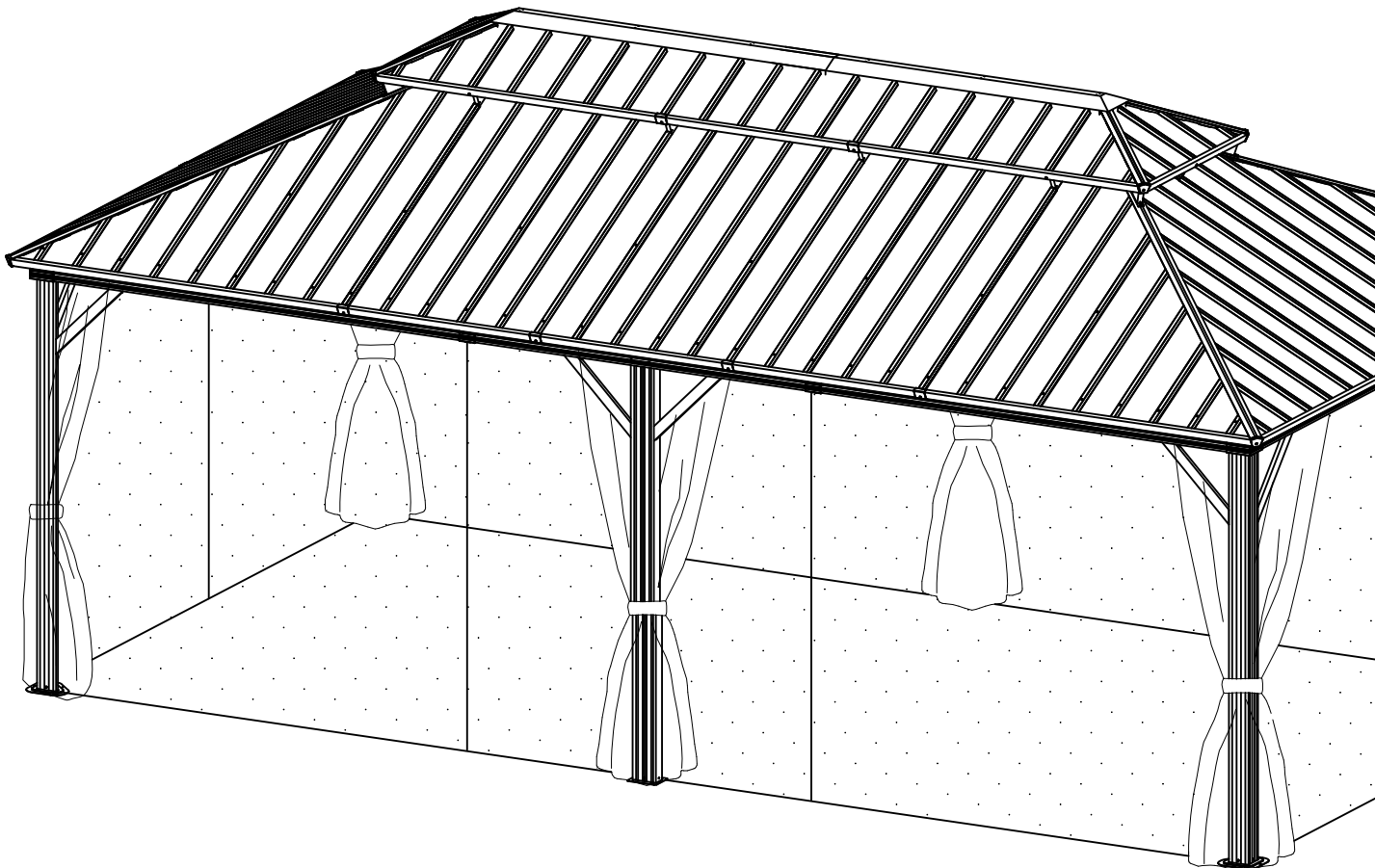
To reduce personal injury and damage to your gazebo, please attach your gazebo netting to the post when it is incoming over **20 mph** wind.

We recommend a **five-person team** for assembly and disassembly.

If you like our products,
please follow more.

Care and Cleaning

- Wash frame parts and fabric with mild soap and water, rinse thoroughly.
- Dry the frame completely and allow the fabric to drip dry.
- Do not use bleach, acid, or other solvents on the fabric or frame parts.
- Please inspect and tighten all bolts or fasteners on a regular basis to ensure the proper performance and safety of your gazebo.



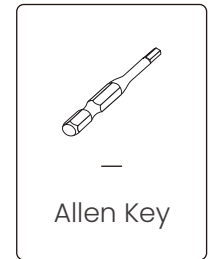
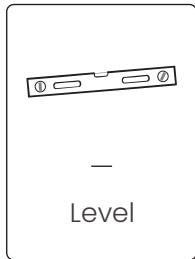
Warnings and Cautions

- Please retain this instruction for future usage and read carefully before assembly.
- Make sure you have all the parts & hardware as the item list shows.
- 5 adults or more are recommended to install your gazebo.
- Do not discard any of the packaging until you have checked that you have all the parts and pack of fittings.
- Check all bolts for tightness before use, and periodically check and tighten bolts to ensure your gazebo works properly.
- Some parts might have sharp edges/corners. Please follow basic safety precautions to reduce the risk of hurt.
- It is essential to place the gazebo on level ground and not less than 6 feet from any obstruction such as fences, garages, the house, overhanging branches, laundry lines, or electrical wires.
- Lastly, be careful the parts are not swallowed by pets and kids.

Pre-assembly

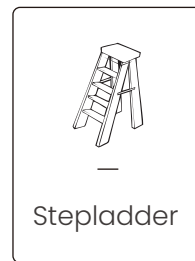
TOOLS THAT MAY BE REQUIRED (NOT included in the boxes)

*NOTE: Tools / equipment are not shown to actual size and scale



EQUIPMENT REQUIRED (NOT included in the boxes)

*NOTE: Equipment are not shown to actual size and scale



Matters needing attention



Five or more people are required for assembly.



Do not fully tighten screws prior to complete assembly.

Warranty

One Year Warranty

Frames

Frames constructions are warranted to be free from defects in material and workmanship for 1 year from item purchased. Damage to frame from negligence won't be covered by this warranty.

Bolts & nuts

Bolts and nuts are warranted to be free from defects in material and workmanship for 1 year from item purchased. Damage from exposure to chemicals (including not only oils, spills, fluids) won't be covered by this warranty.

Netting

Nettings are warranted to be free from defects in material and workmanship for 1 year from item purchased. Damage from exposure to chemicals (including but not only oils, spills, fluids) won't be covered by this warranty.

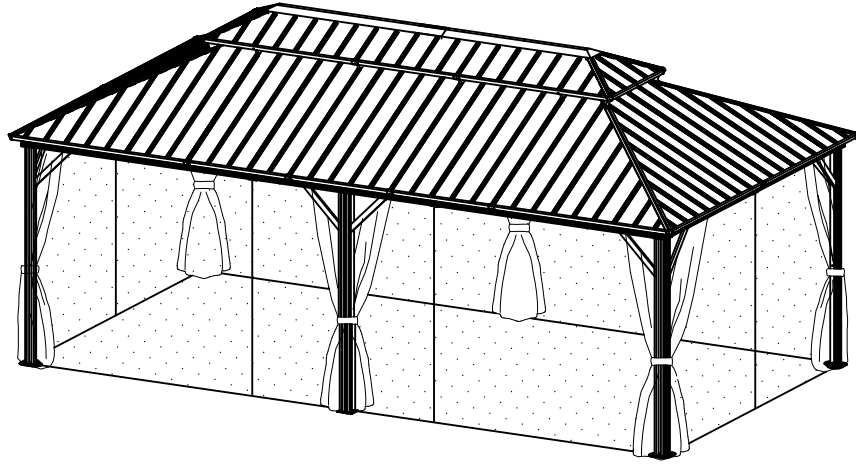
Warranty Limitation

This warranty is for the original purchase order only. (Order number required). This warranty is non-transferable.

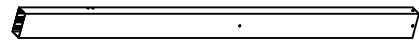
| Carton-1/6 | | Carton-2/6 | | Carton-4/6 | |
|------------|-----|------------|-----|---------------------------------------|-----|
| Part | Qty | Part | Qty | Part | Qty |
| A | 4 | N1 | 12 | X1 | 4 |
| A4 | 2 | K | 4 | X2 | 4 |
| D7 | 4 | K1 | 6 | X3 | 4 |
| D22 | 8 | V | 6 | X4 | 4 |
| F1 | 4 | T | 4+2 | X5 | 4 |
| F2 | 4 | T1 | 4+2 | X6 | 4 |
| F5 | 8 | | | | |
| H | 4 | Carton-3/6 | | Carton-5/6 | |
| | | Part | Qty | Part | Qty |
| Carton-2/6 | | B1 | 2 | X7 | 4 |
| Part | Qty | B2 | 2 | X8 | 4 |
| B5 | 2 | L9 | 2 | X9 | 4 |
| B6 | 2 | M9 | 2 | S1 | 4 |
| B17 | 2 | L8B | 1 | S2 | 4 |
| C2 | 4 | D8 | 4 | S3 | 2 |
| D22 | 2 | C1 | 4 | | |
| D23 | 2 | G7 | 2 | | |
| G12 | 6 | G8 | 2 | | |
| I12 | 2 | F8 | 5 | Carton-6/6 | |
| V1 | 2 | G1 | 2 | Part | Qty |
| V5a | 2 | I1B | 2 | S3 | 10 |
| V5b | 2 | I7 | 2 | D15 | 12 |
| V9a | 2 | I8 | 2 | H | 2 |
| V9b | 2 | J | 4 | H1 | 6 |
| Q1 | 12 | Z | 64 | P | 6 |
| Q3 | 8 | Z1 | 8 | 1.2.3.4.5.7.8.9.10. 11.12.14.15.16 | 1 |
| Q4 | 12 | Z2 | 8 | | |
| J1 | 2 | Y | 112 | | |
| N | 12 | U | 168 | | |

Attention:

1. Please do not fully tighten all the screws prior to complete assembly.
2. Please check the manual carefully and make sure you have received all the parts.
3. If there is any missing, please let us know the parts with the part number you need.
4. If there is any damage, please send clear photos to us, we will check and offer you best solution soon.



(A) 4x



(A4) 2x



(B1) 2x



(B2) 2x



(B5) 2x



(B6) 2x



(B17) 2x



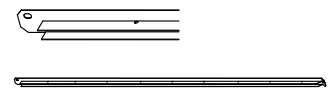
(D7) 4x



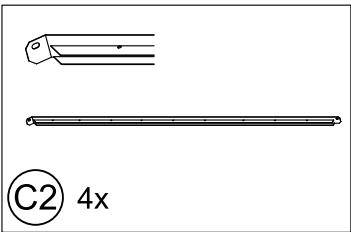
(D23) 2x



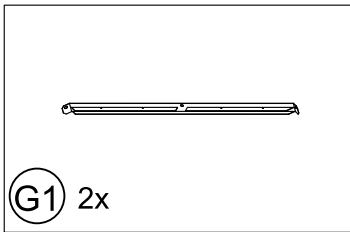
(D22) 10x



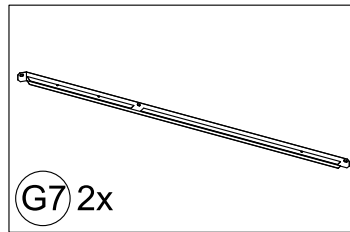
(C1) 4x



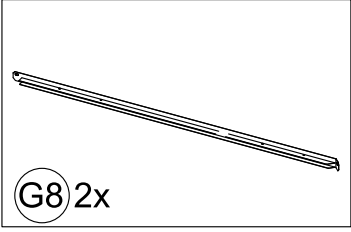
C2 4x



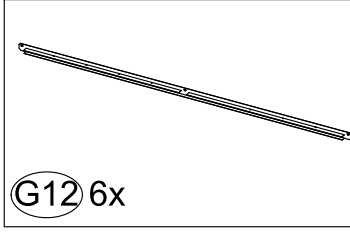
G1 2x



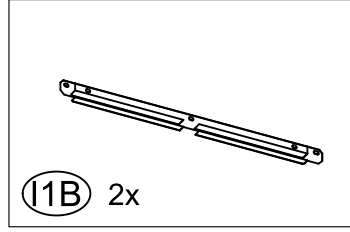
G7 2x



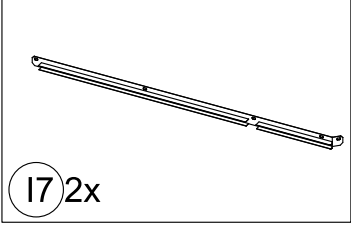
G8 2x



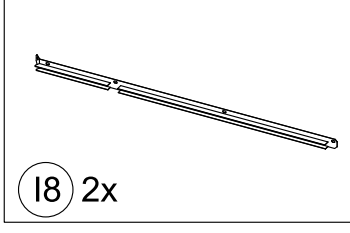
G12 6x



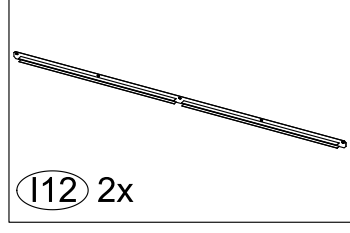
I1B 2x



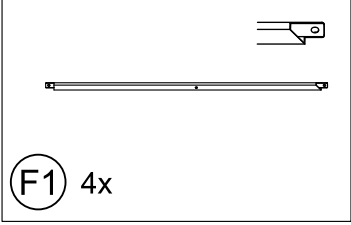
I7 2x



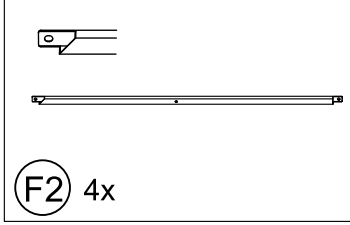
I8 2x



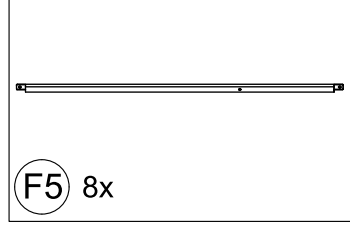
I12 2x



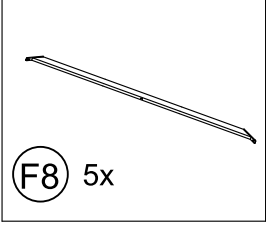
F1 4x



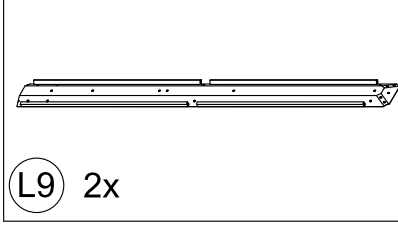
F2 4x



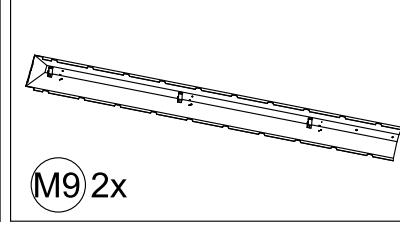
F5 8x



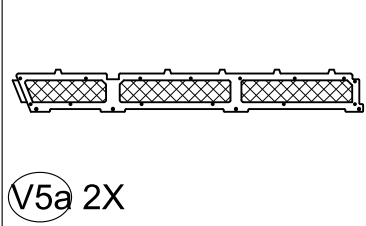
F8 5x



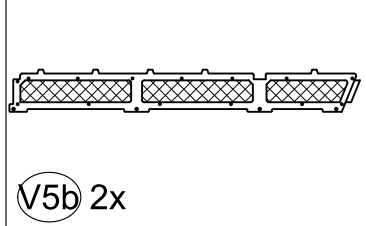
L9 2x



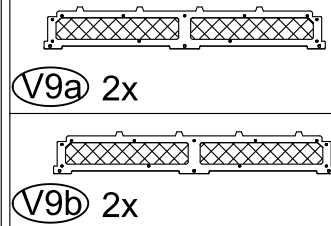
M9 2x



V5a 2x

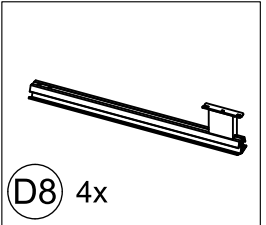


V5b 2x

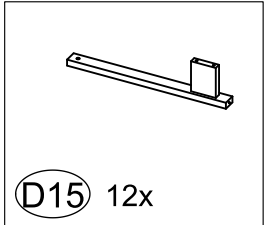


V9a 2x

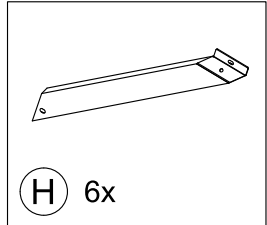
V9b 2x



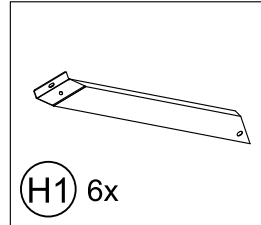
D8 4x



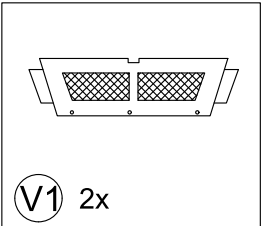
D15 12x



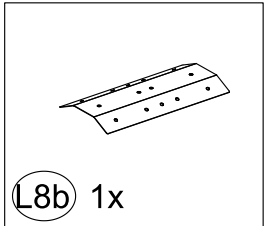
H 6x



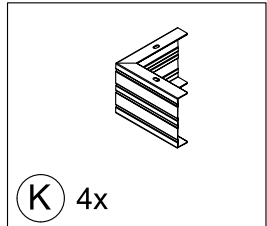
H1 6x



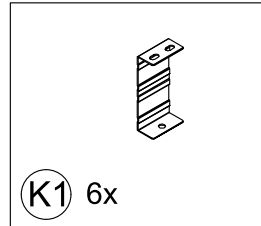
V1 2x



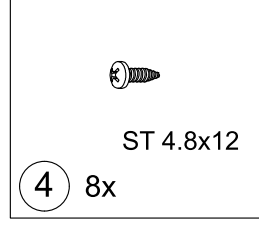
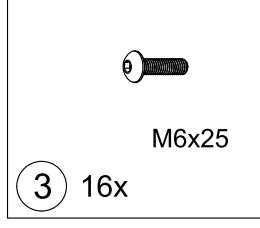
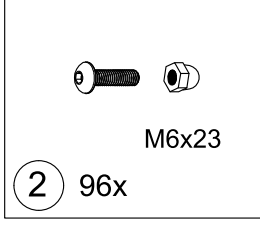
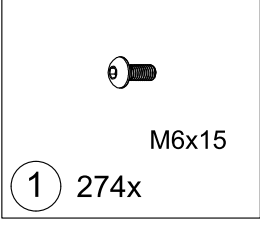
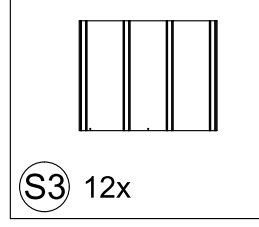
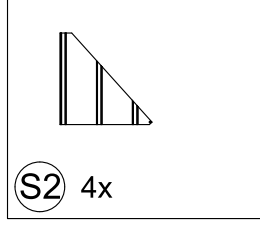
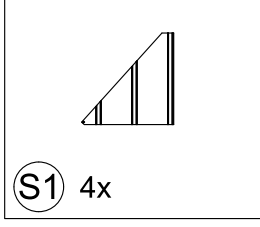
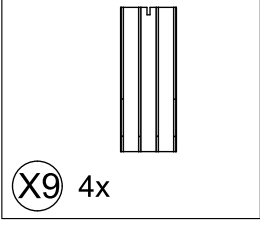
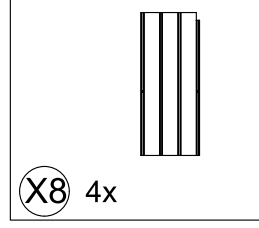
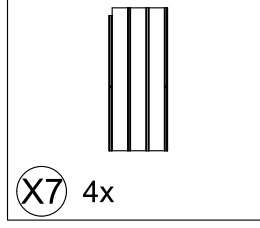
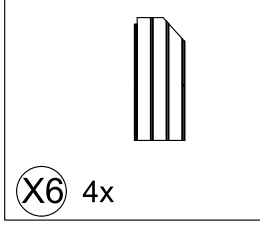
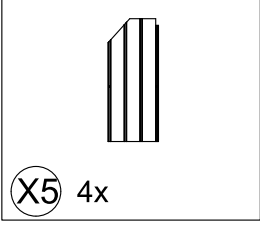
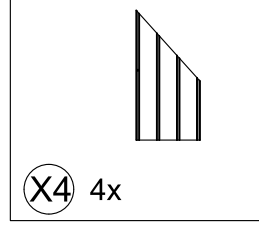
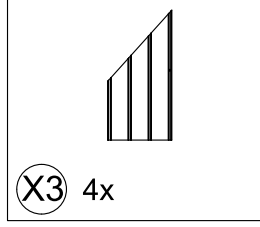
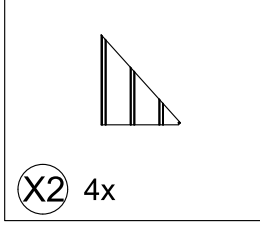
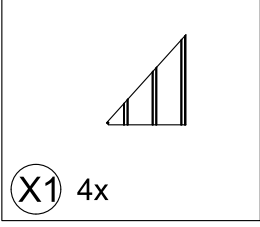
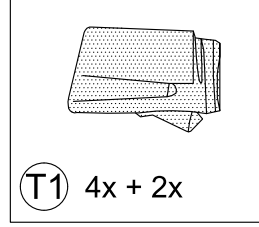
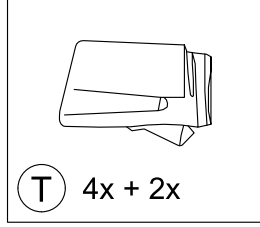
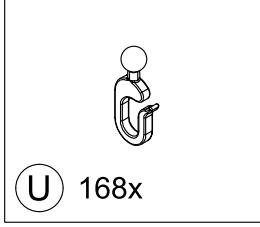
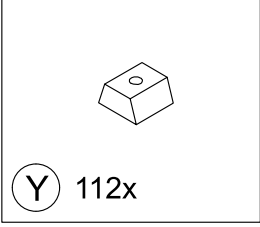
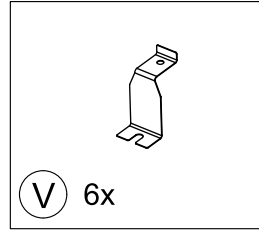
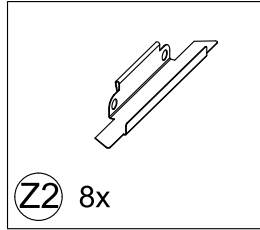
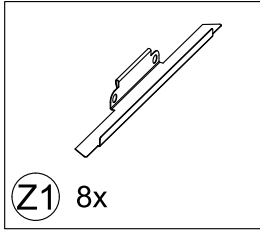
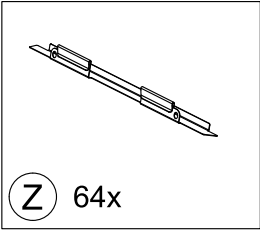
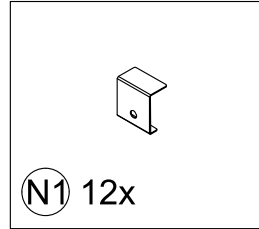
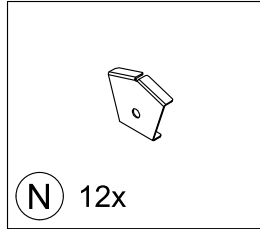
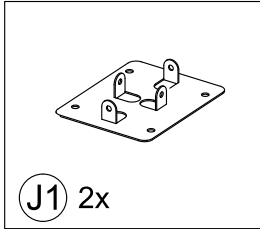
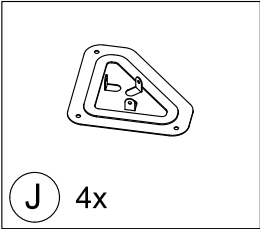
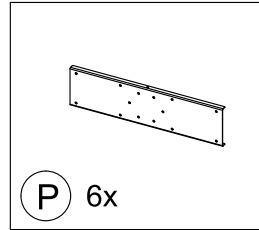
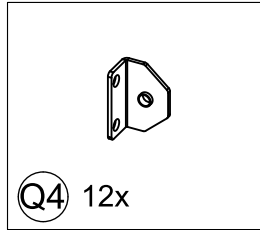
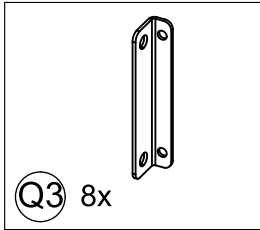
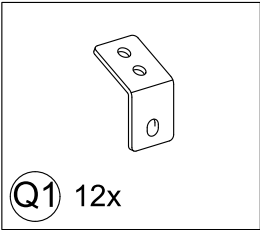
L8b 1x



K 4x



K1 6x





5 5x



M6x45

7 16x



8 20x



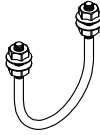
M6x10

9 26x



M8x50

10 20x

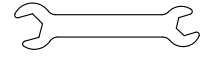


11 2x



4mm

12 2x



14 1x



M5x15

15 40x



M6x35

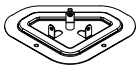
16 24x

<1>

(A) 4x



(J) 4x



(Q3) 8x



(Q4) 8x



(1) 12x

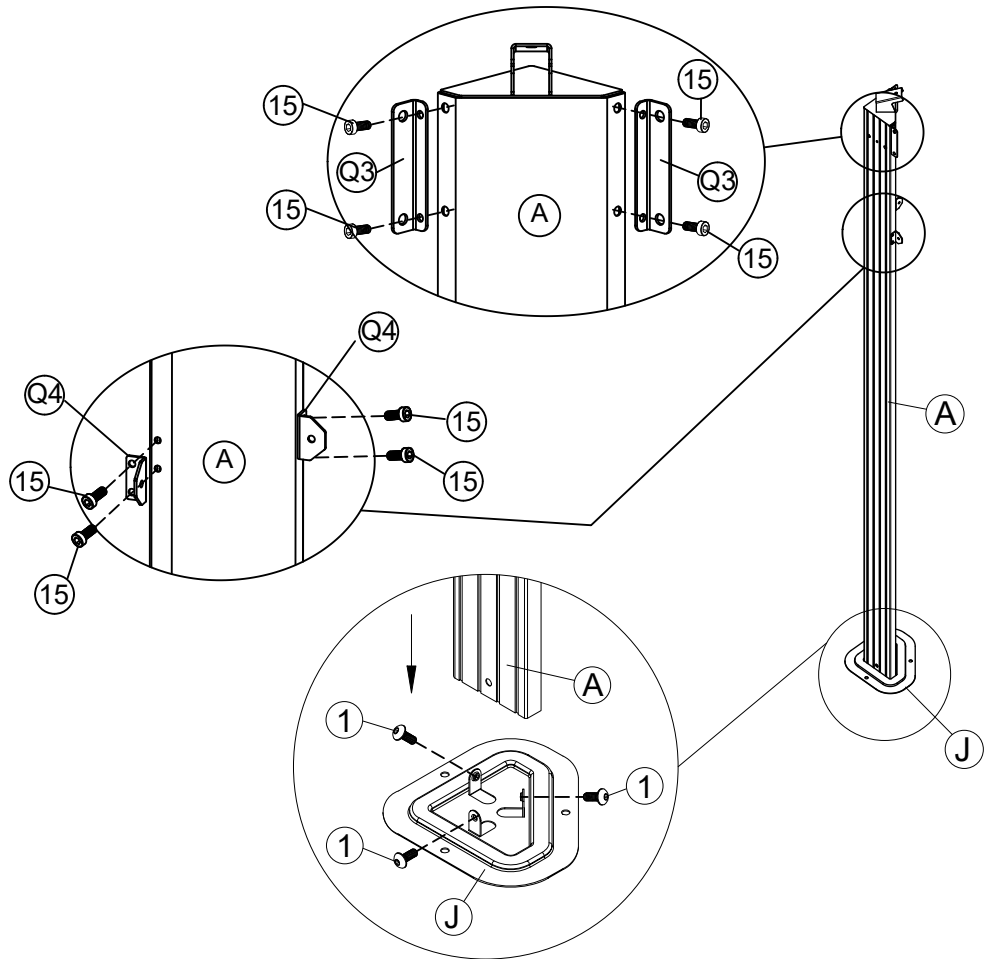


M6x15



(15) 32x

M5x15

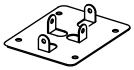


<2>

A4 2x



J1 2x



Q4 4x



1 8x

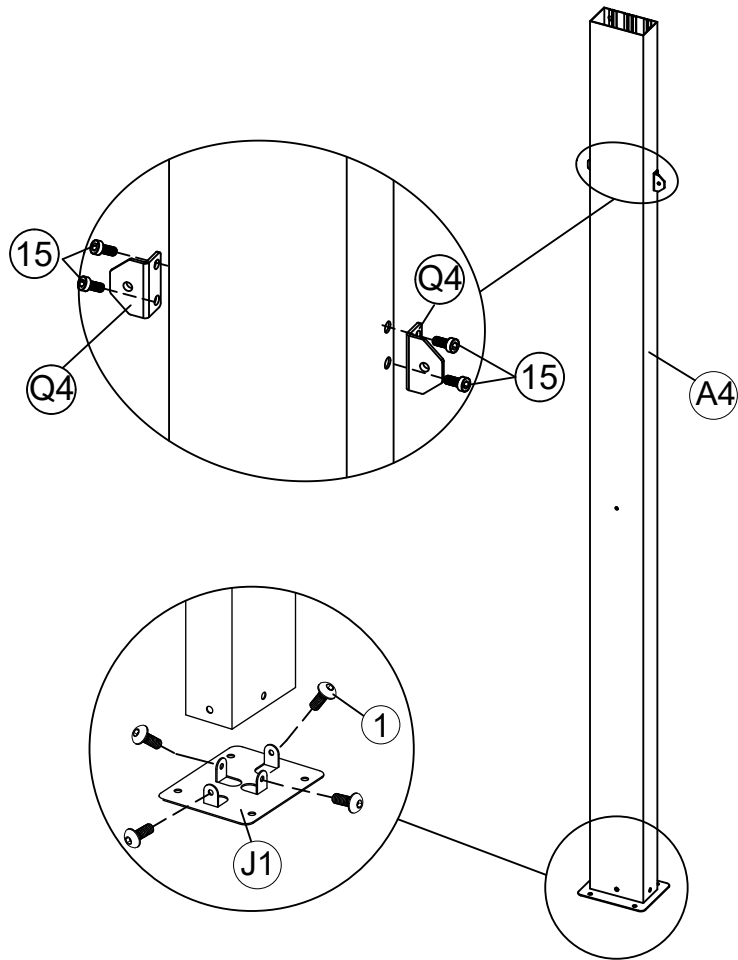


M6x15

15 8x



M5x15



<3>



B1 2x



B2 2x

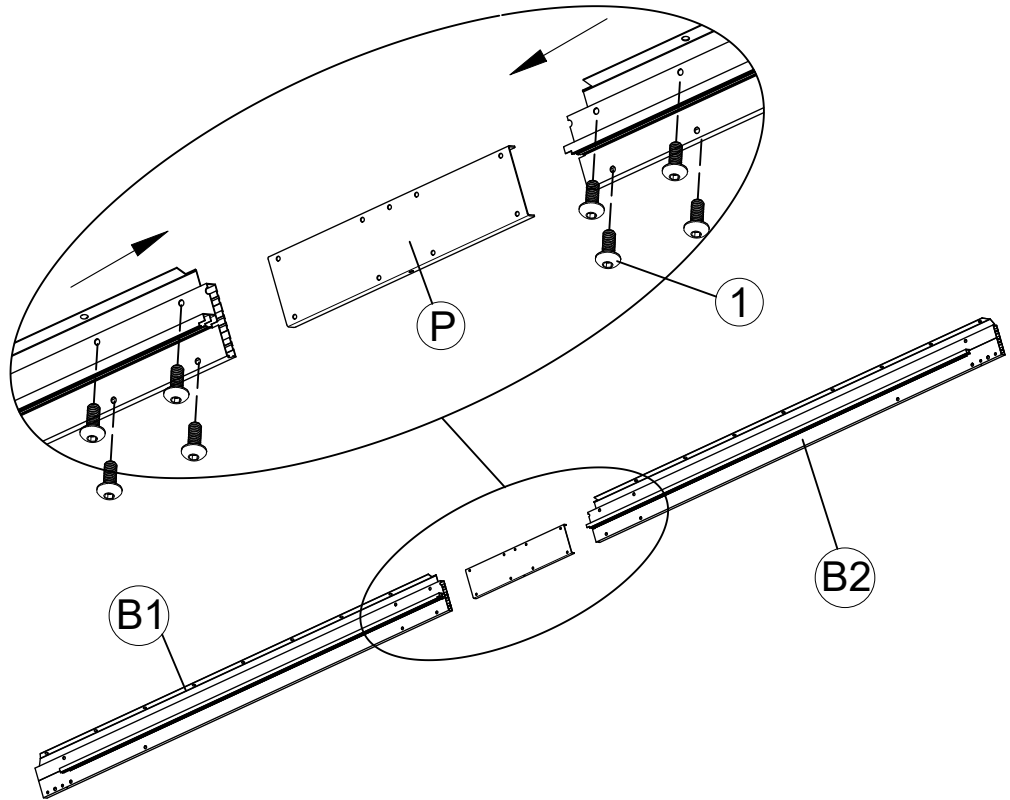




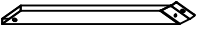
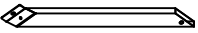

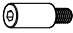
P 2x

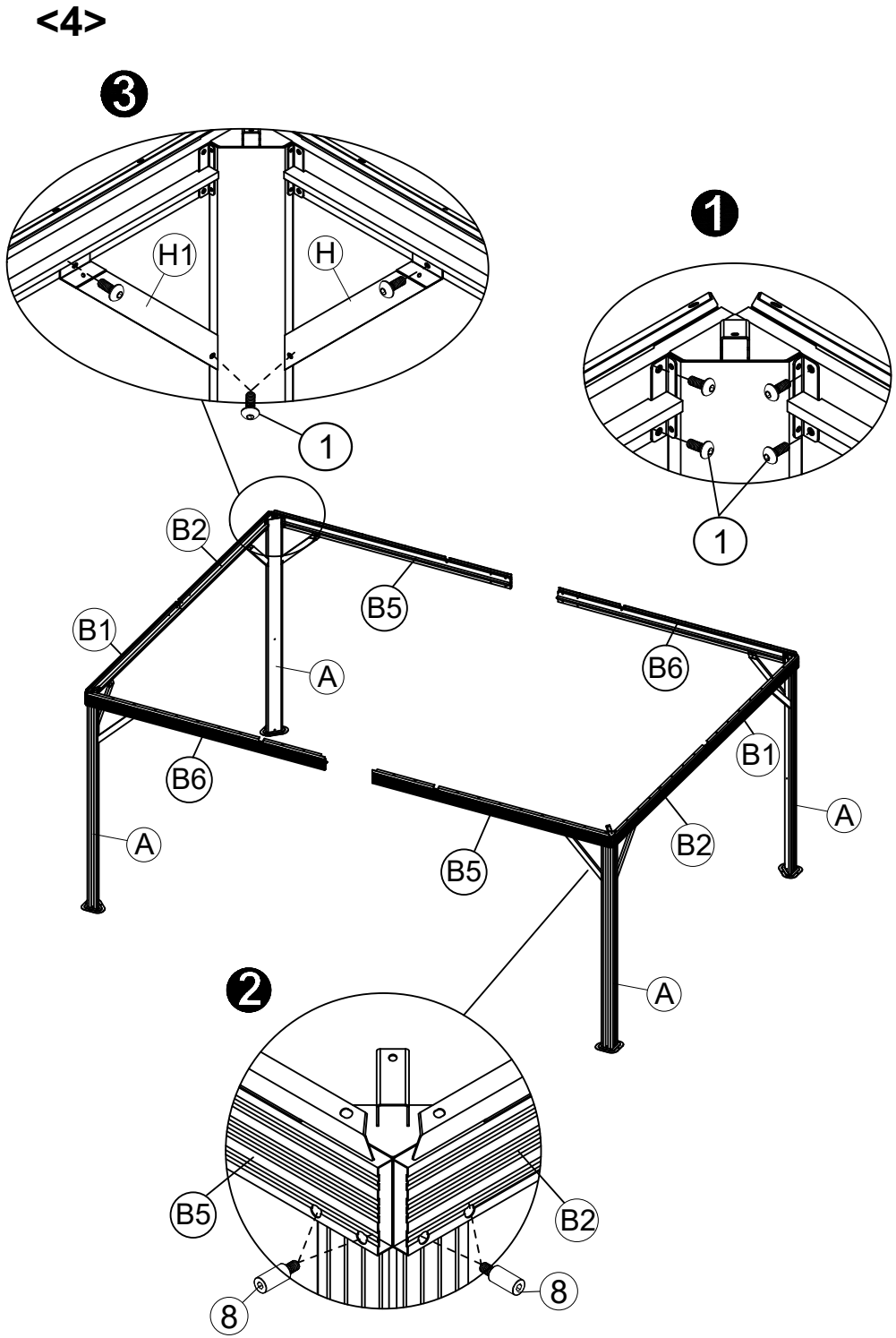


M6x15

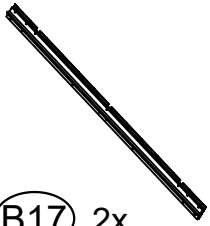
1 16x



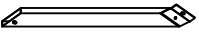
-  (B5) 2x
-  (B6) 2x
-  (H) 4x
-  (H1) 4x
-  (1) 32x
M6x15
-  (8) 16x



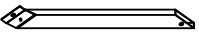
<5>



(B17) 2x



(H) 2x



(H1) 2x



(P) 4x

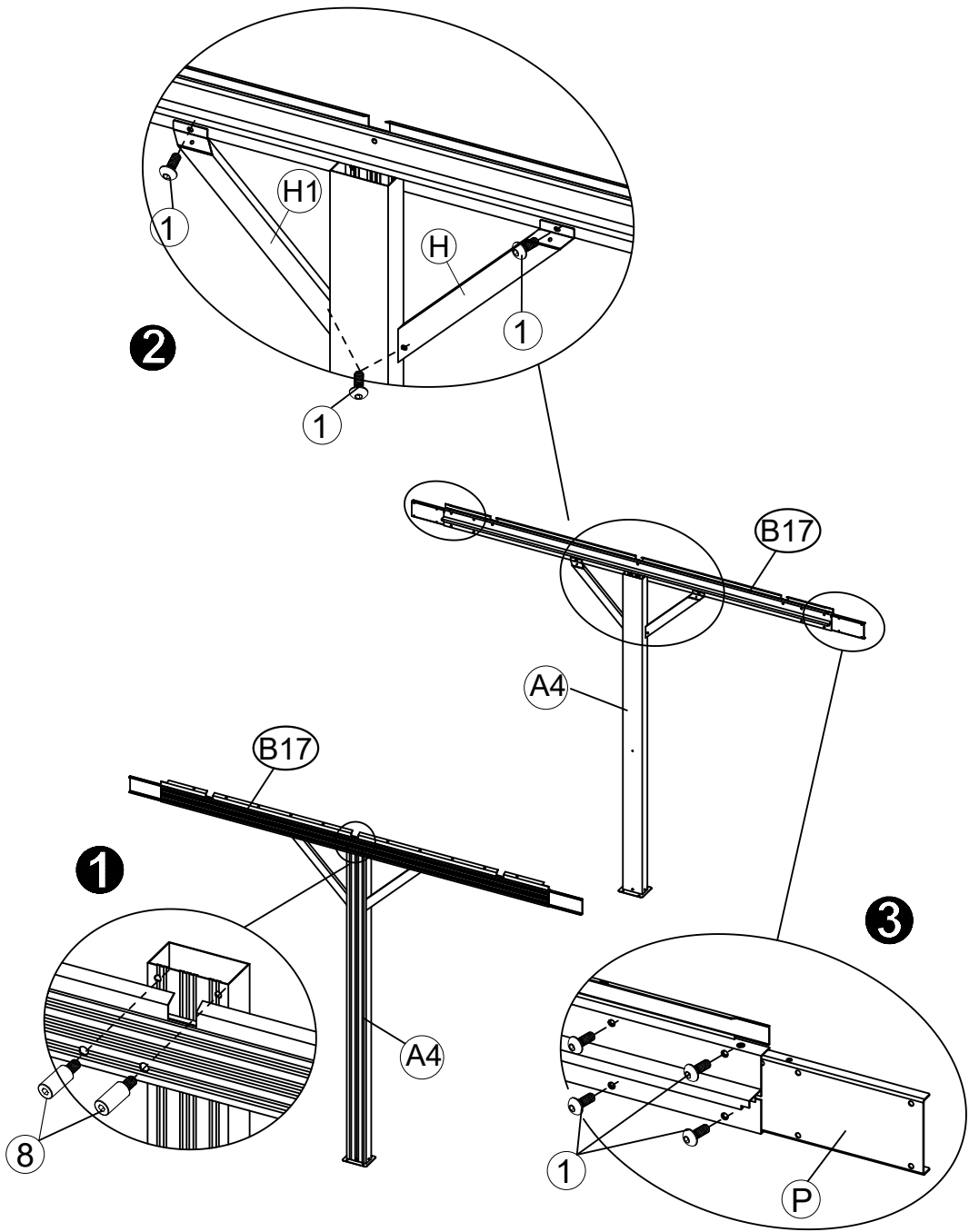


M6x15

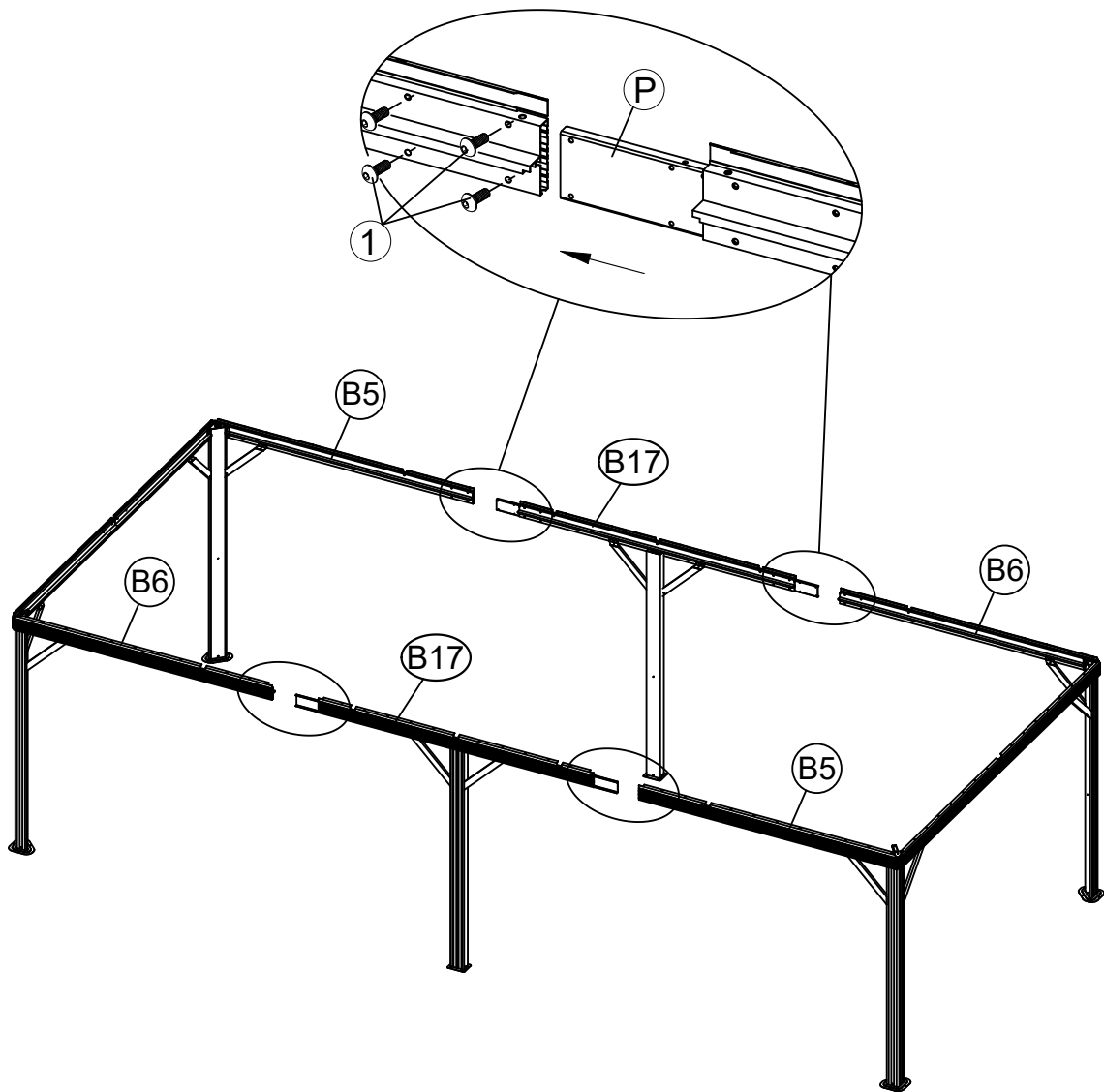
(1) 24x



(8) 4x



<6>

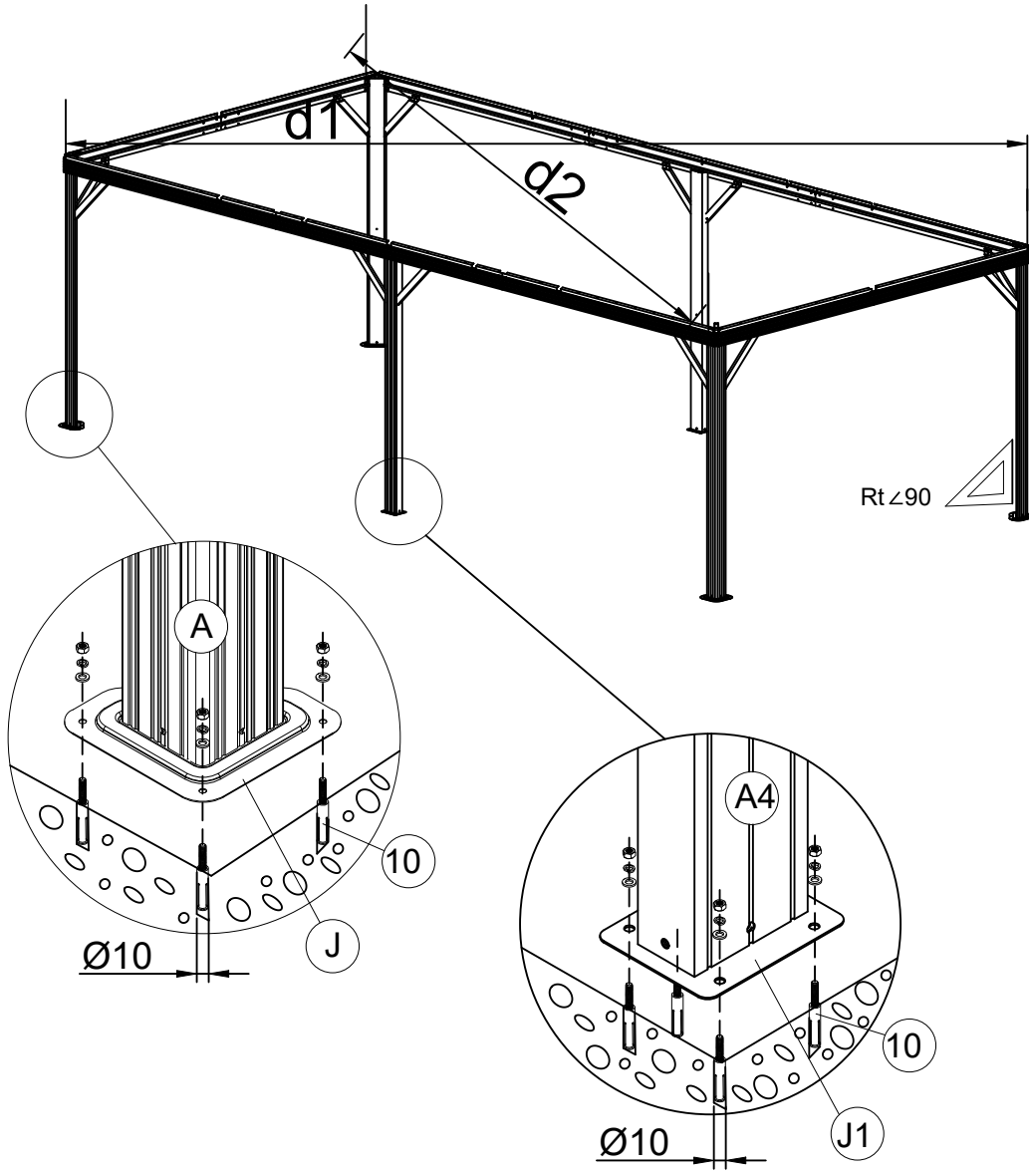



 M6x15

1 16x

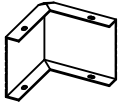
17

<7>



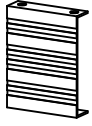
| |
|---|
|  |
| 10 20x |
| 18 |

Tips: Please measure to make sure the length of d1 is equal to d2 before moving to next step to ensure a square frame and best results. Otherwise, please loosen the "H" or "H1" screws and adjust them. Keep the beam at right angles to the post, the post at right angles to the ground, and keep the beam horizontal.



(K)

4x



(K1)

6x



(U)

168x



(V)

6x



M6x15

(1)

18x

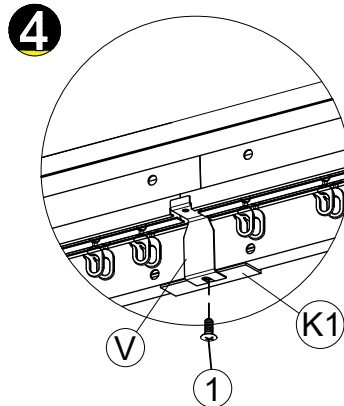
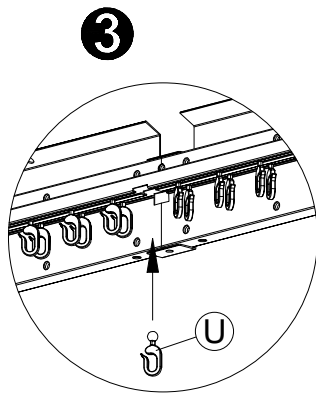
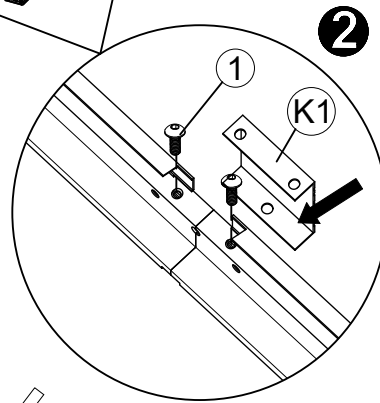
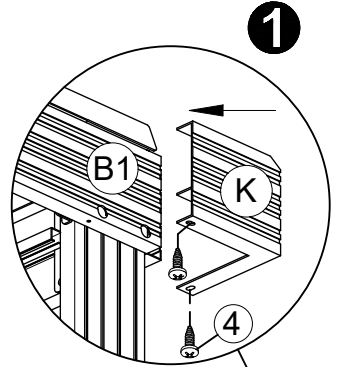
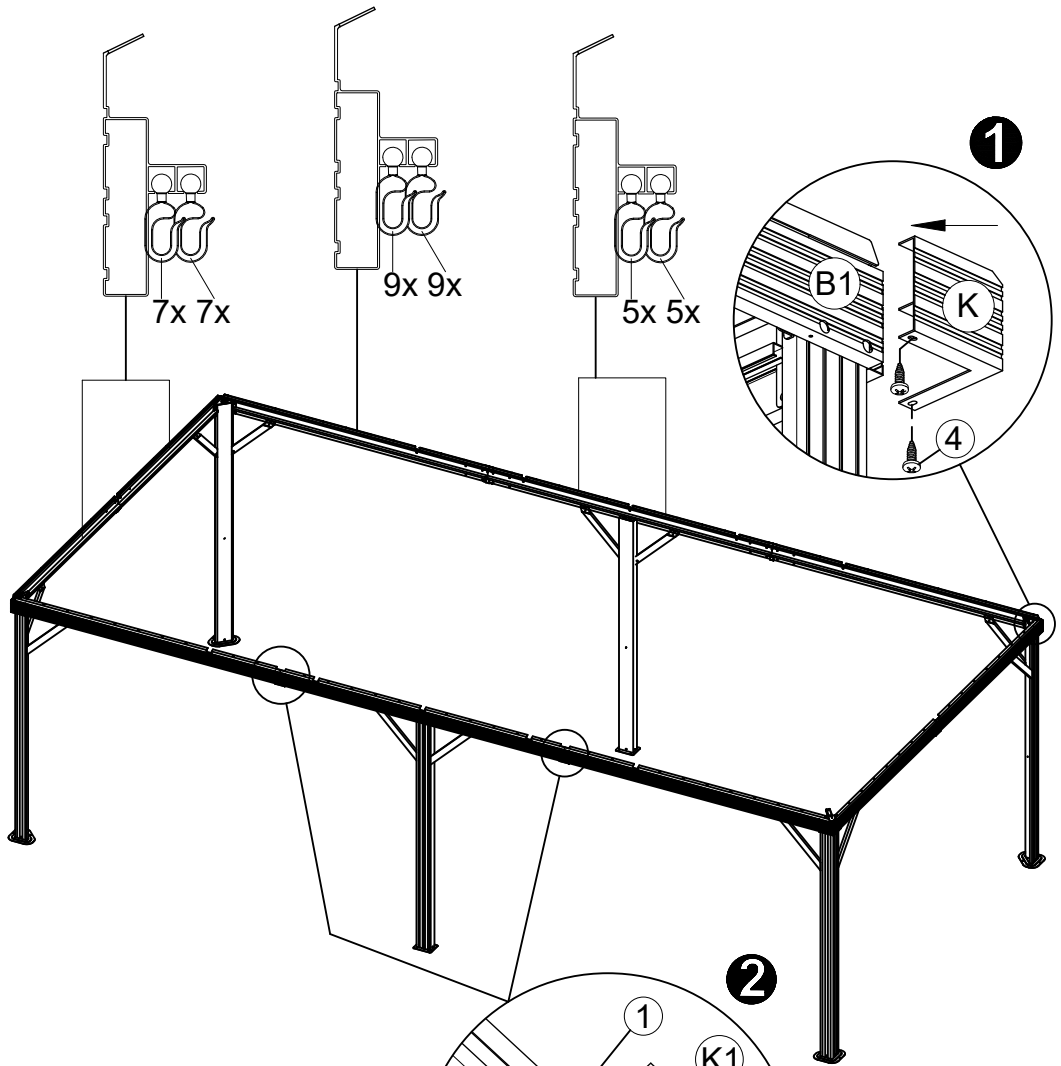


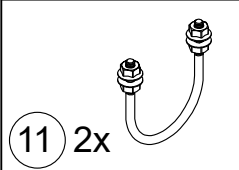
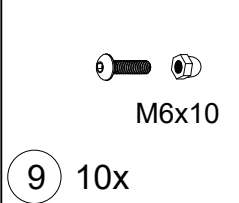
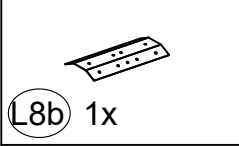
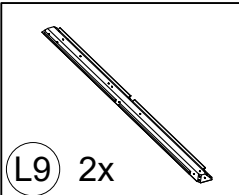
ST4.8x12

(4)

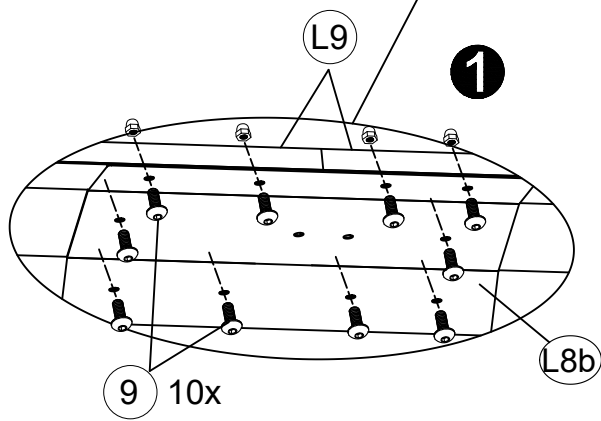
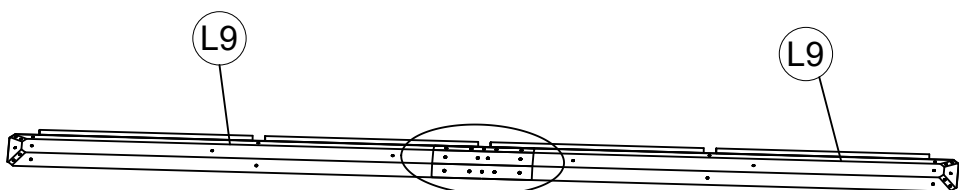
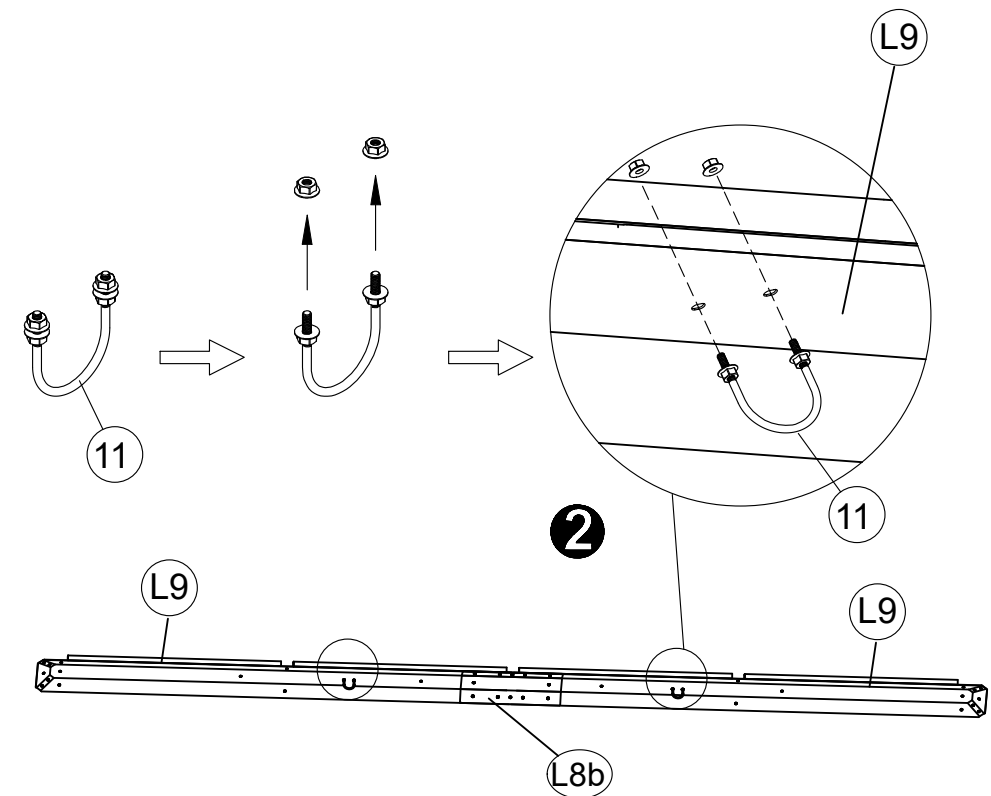
8x

<8>

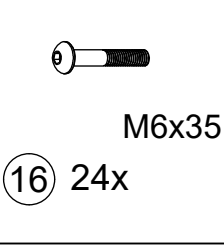
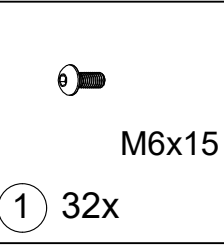
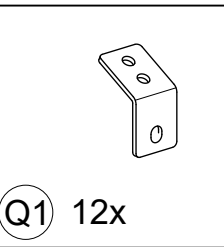
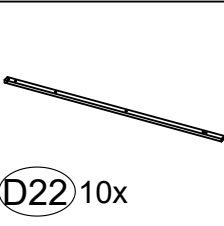
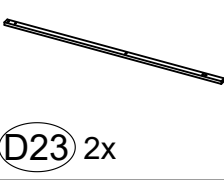
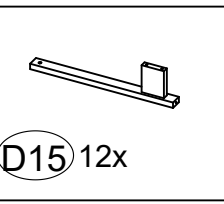
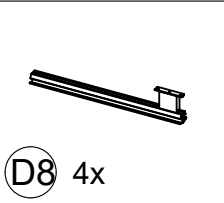
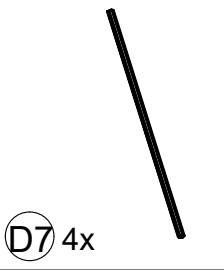




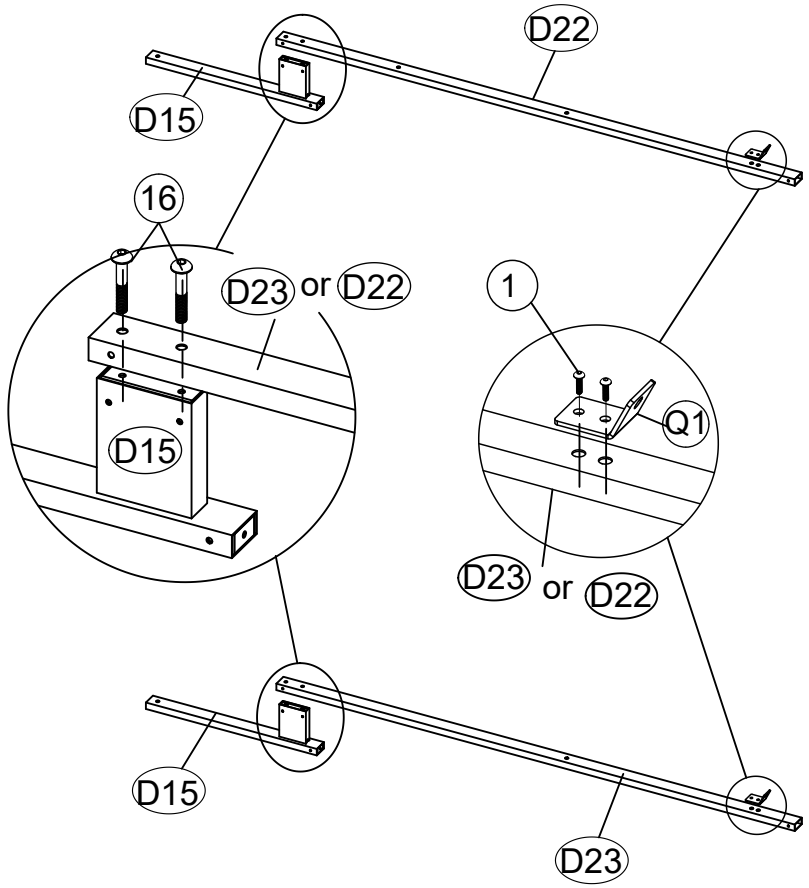
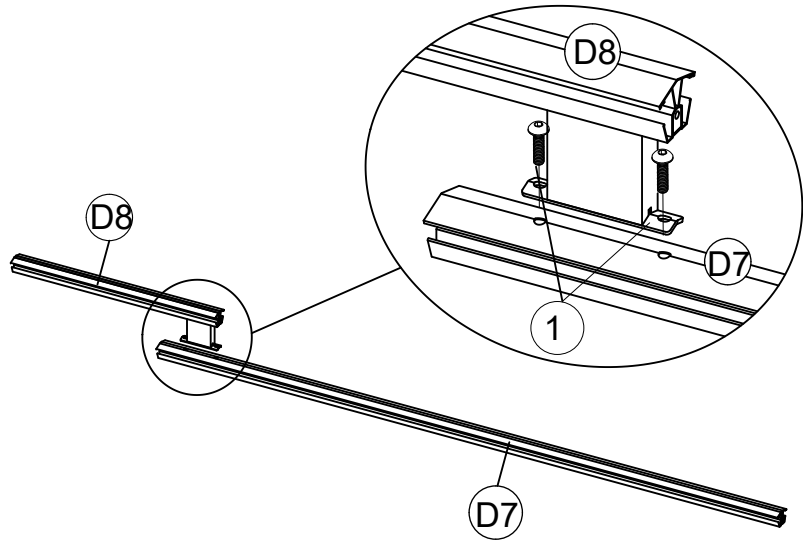
<9>

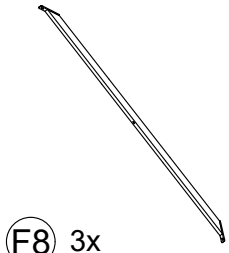


<10>



21





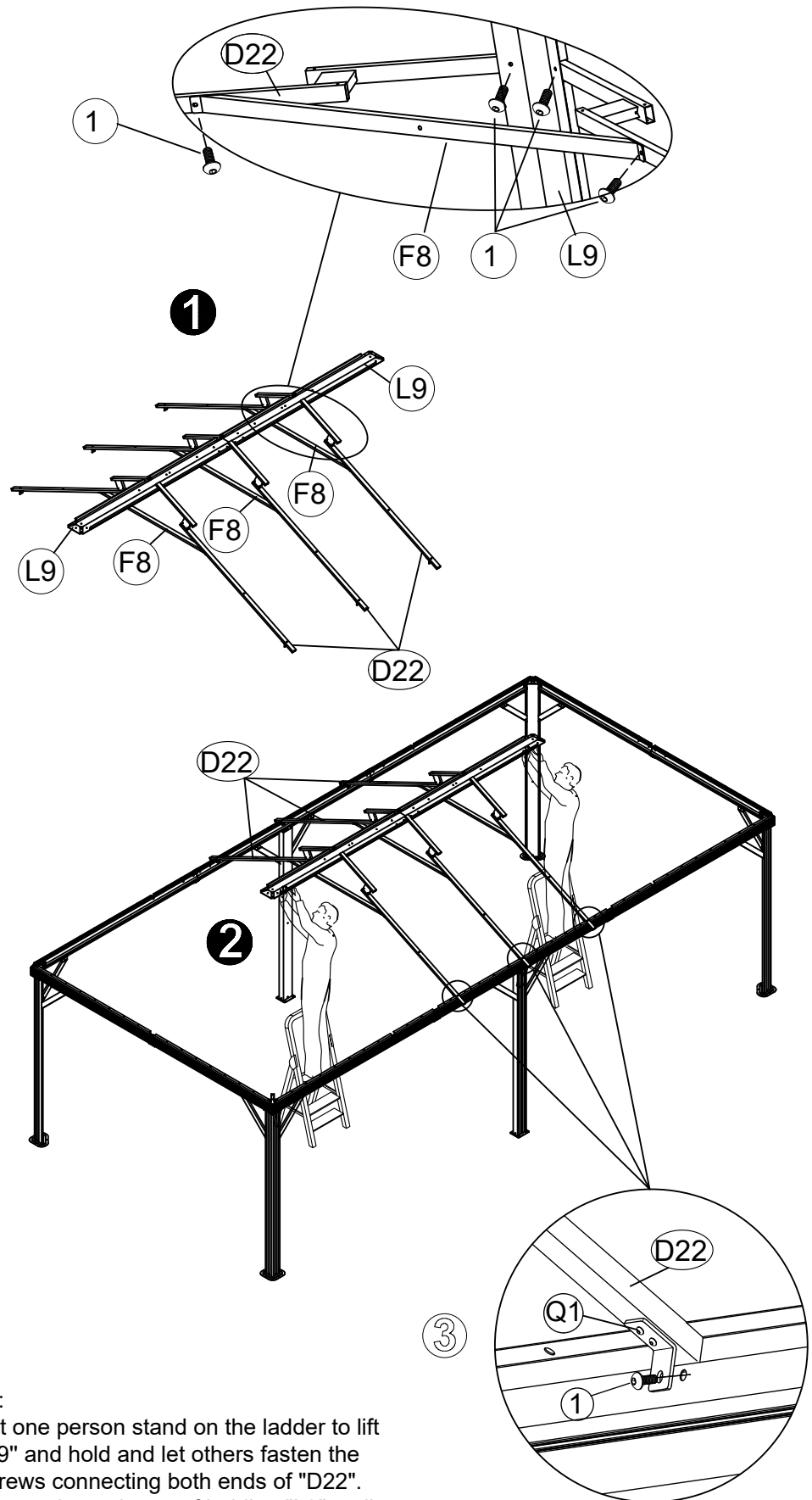
F8 3x



M6x15

1 18x

<11>



Note:

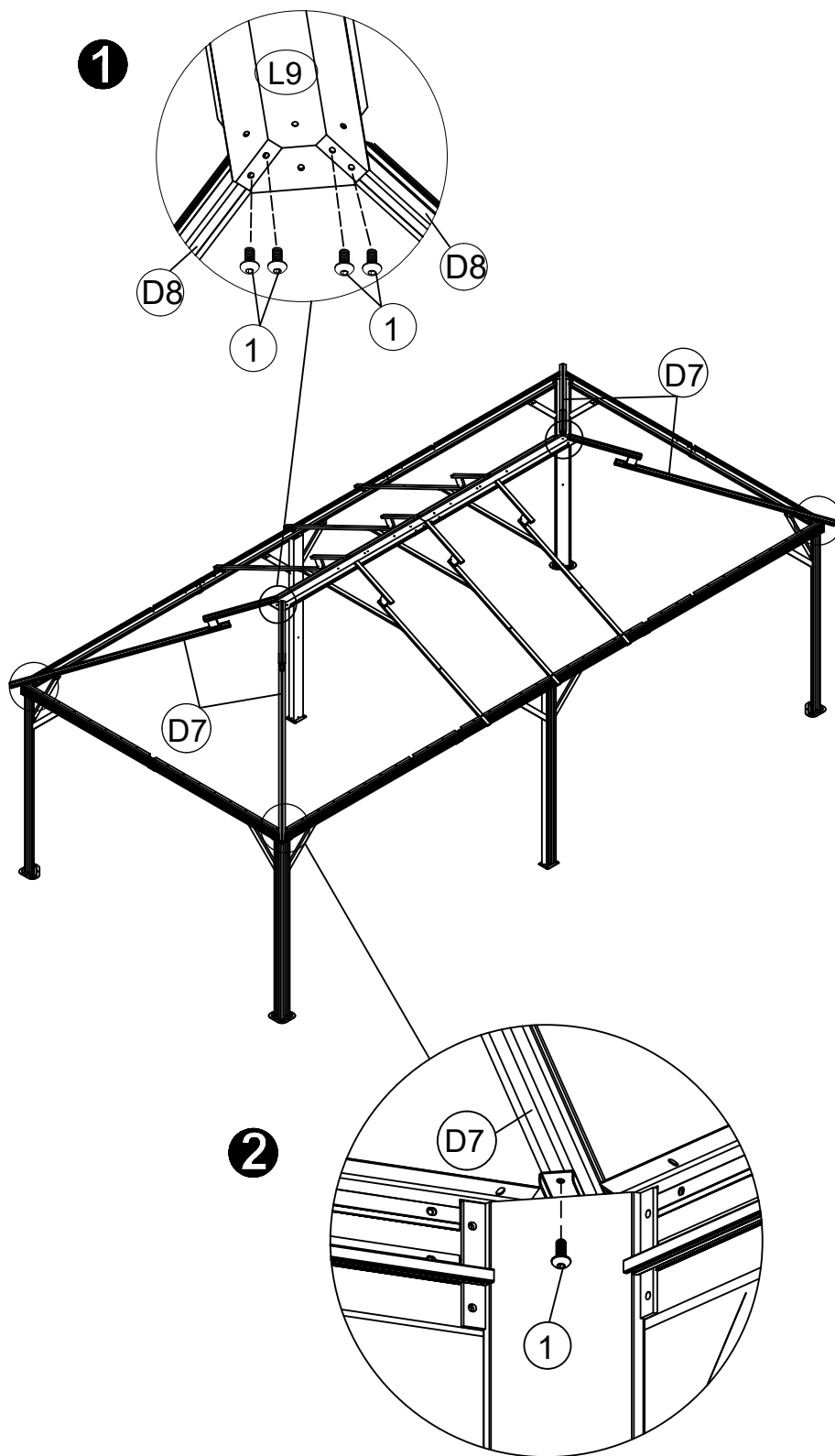
1. Let one person stand on the ladder to lift "L9" and hold and let others fasten the screws connecting both ends of "D22".
2. Please do not let go of holding "L9" until all the "D22" screws are installed.



M6x15

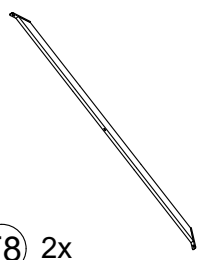
① 12x

<12>



<13>

F8 2x



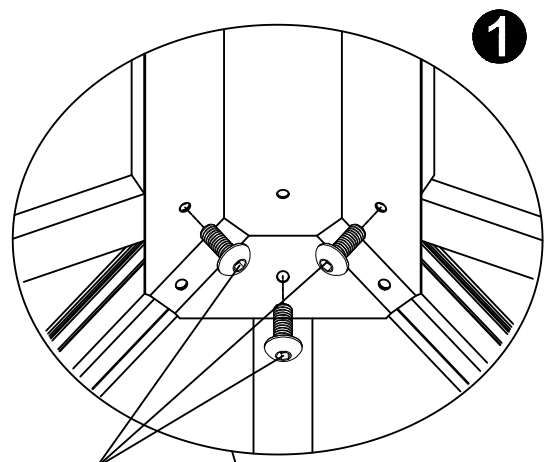
M6x15



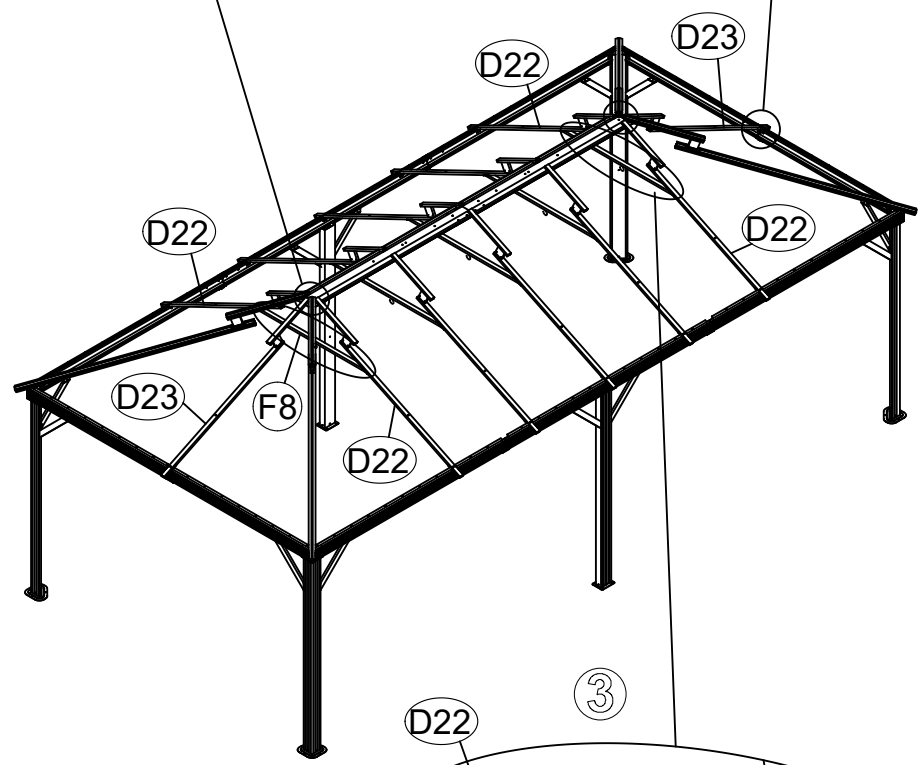
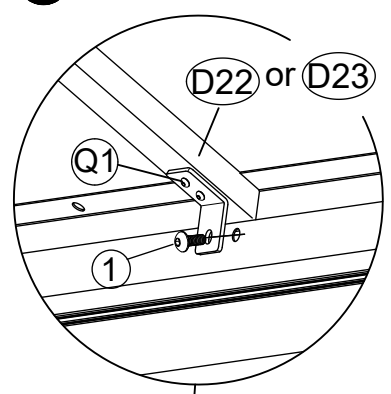
1 16x



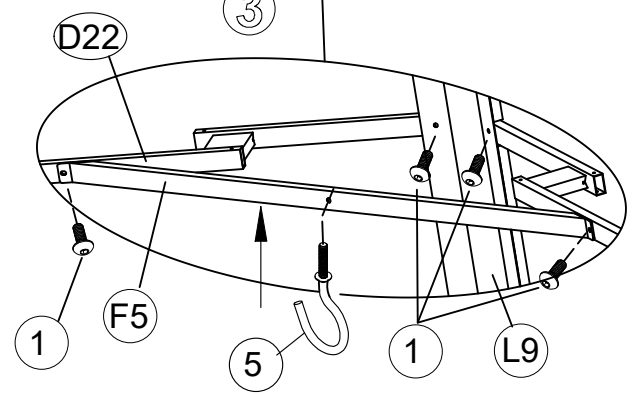
5 5x



2

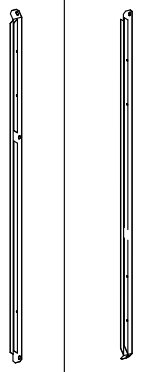


3

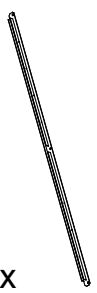


<14>

G1 2x



G7 2x G8 2x



G12 2x



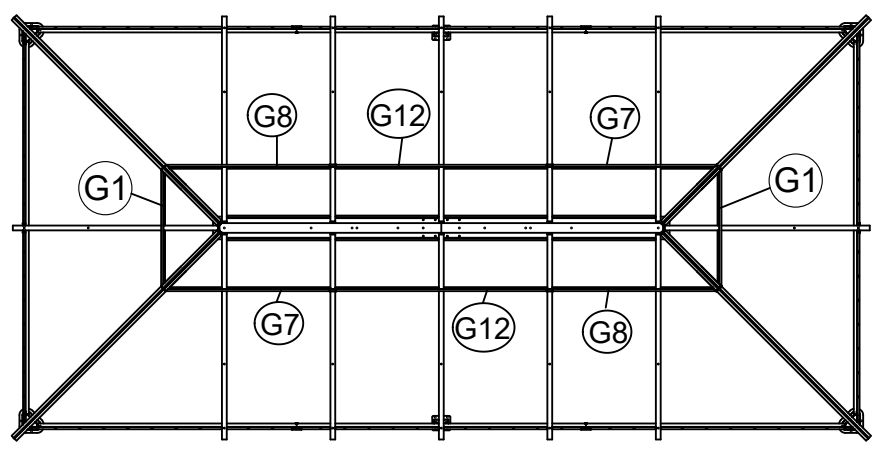
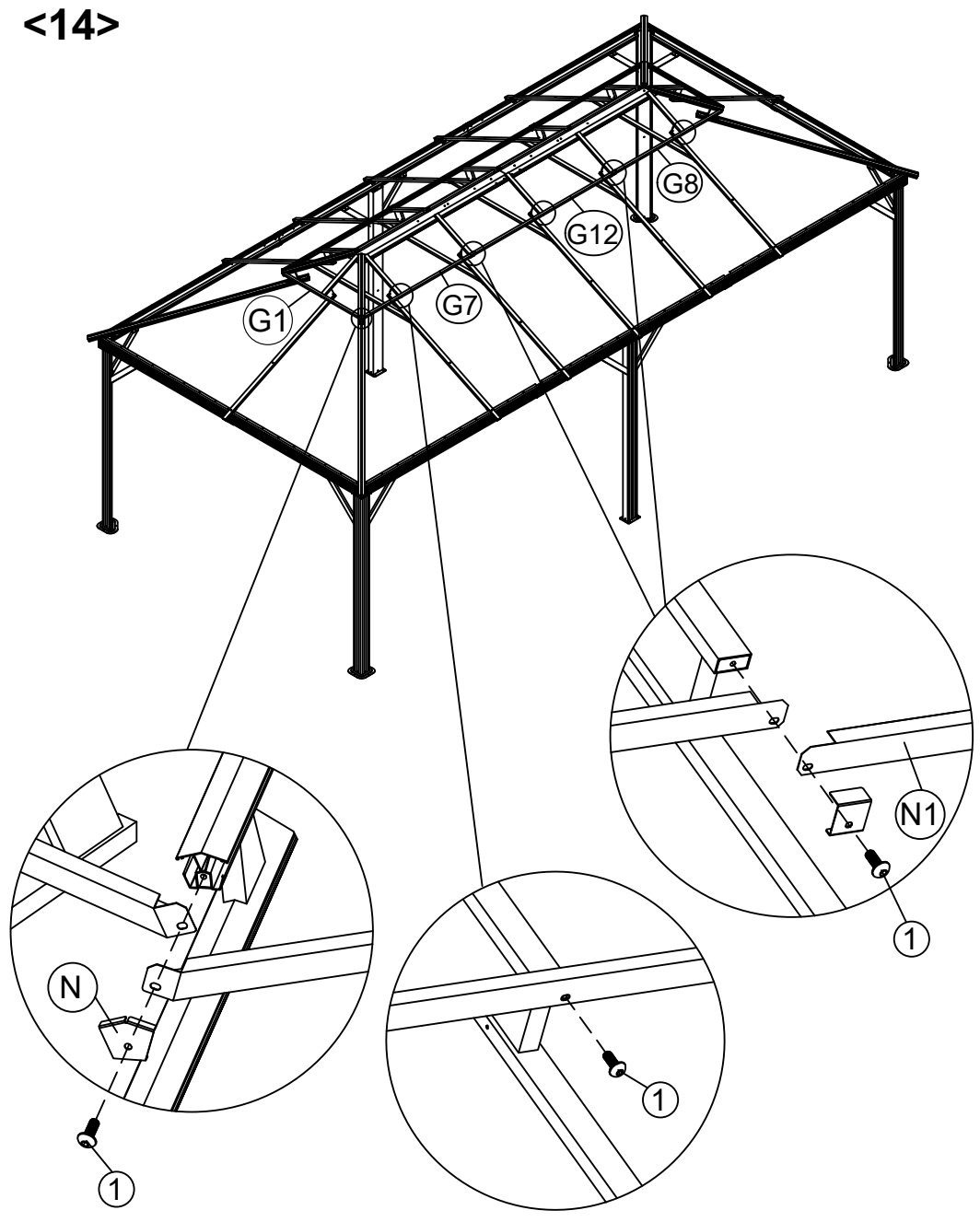
N 4x



N1 4x

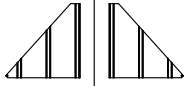


1 16x M6x15

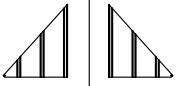


25

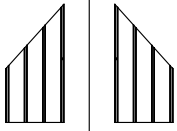
<15>



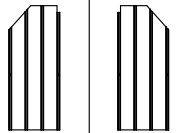
(S1) 2x (S2) 2x



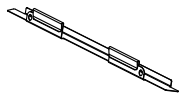
(X1) 2x (X2) 2x



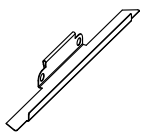
(X3) 2x (X4) 2x



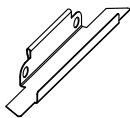
(X5) 2x (X6) 2x



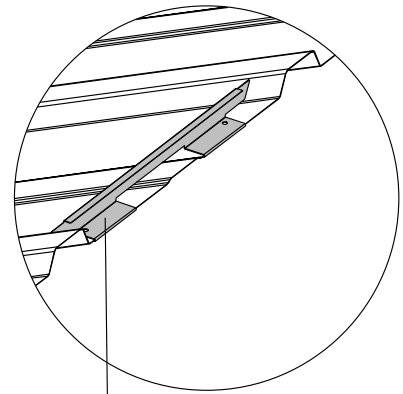
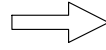
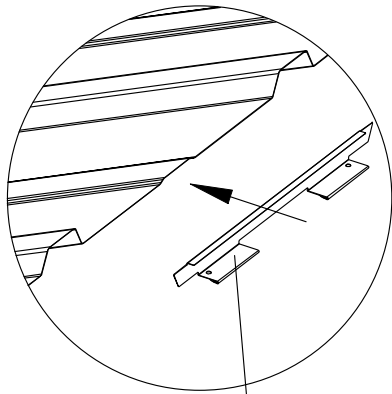
(Z) 32x



(Z1) 4x

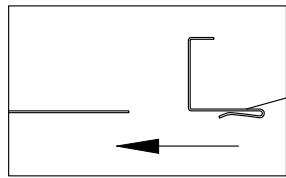


(Z2) 4x

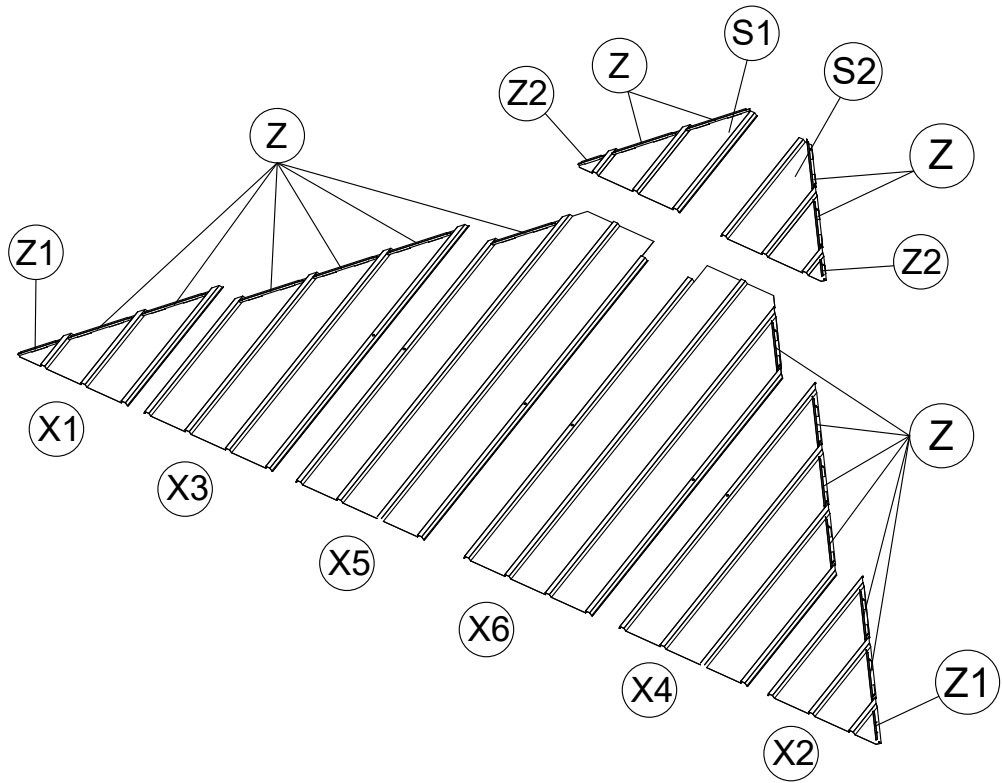


(Z) or (Z1) or (Z2)

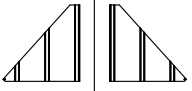
(Z) or (Z1) or (Z2)



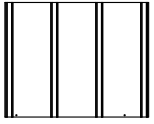
(Z) or (Z1) or (Z2)



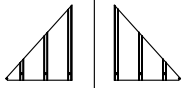
<16>



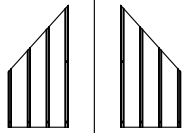
(S1) 2x (S2) 2x



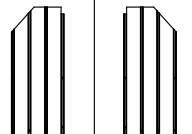
(S3) 12x



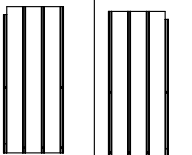
(X1) 2x (X2) 2x



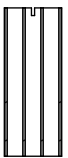
(X3) 2x (X4) 2x



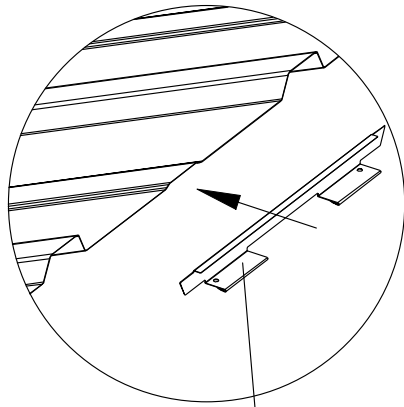
(X5) 2x (X6) 2x



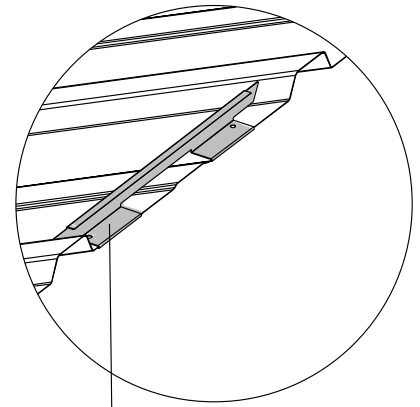
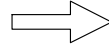
(X7) 4x (X8) 4x



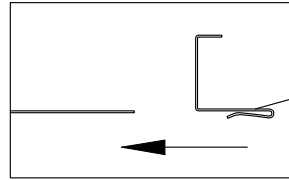
(X9) 4x



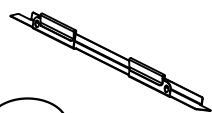
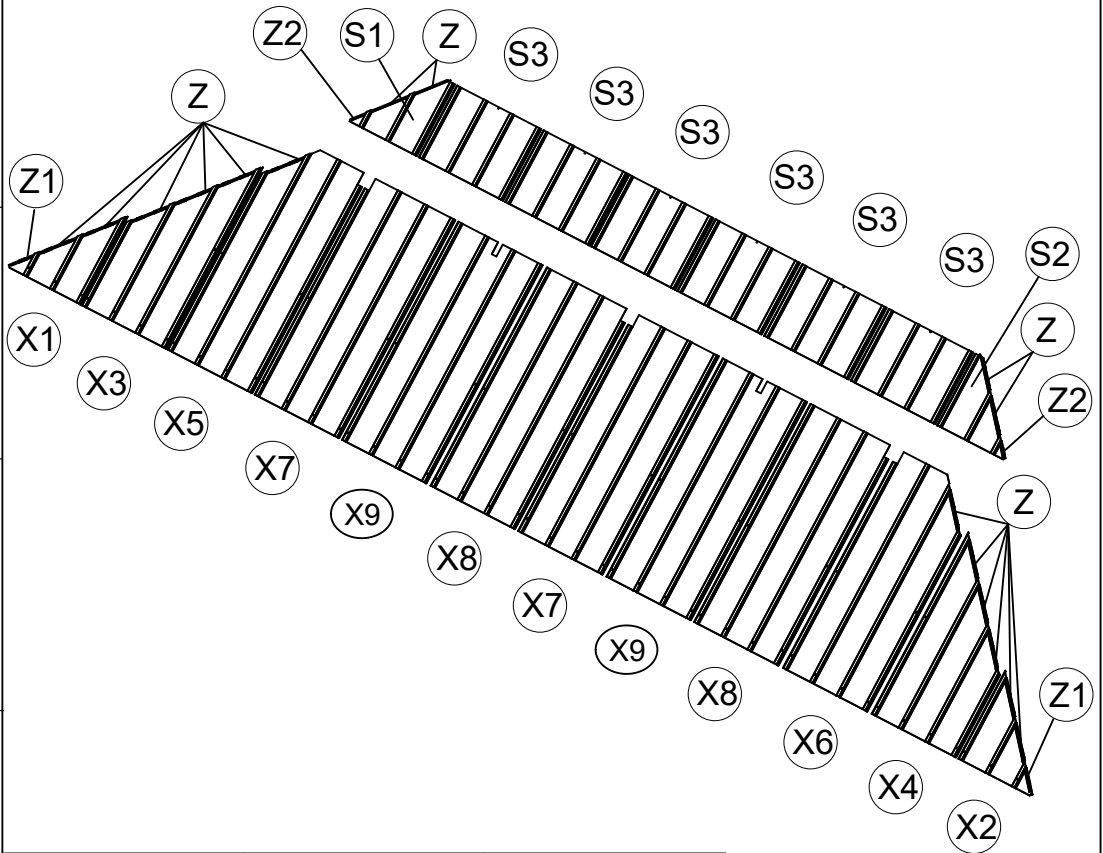
(Z) or (Z1) or (Z2)



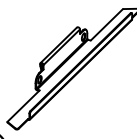
(Z) or (Z1) or (Z2)



(Z) or (Z1) or (Z2)



(Z) 32x



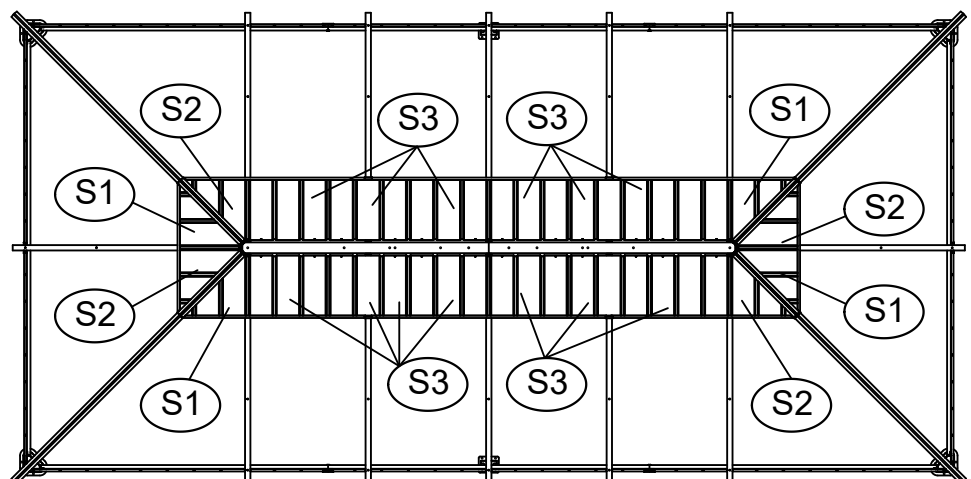
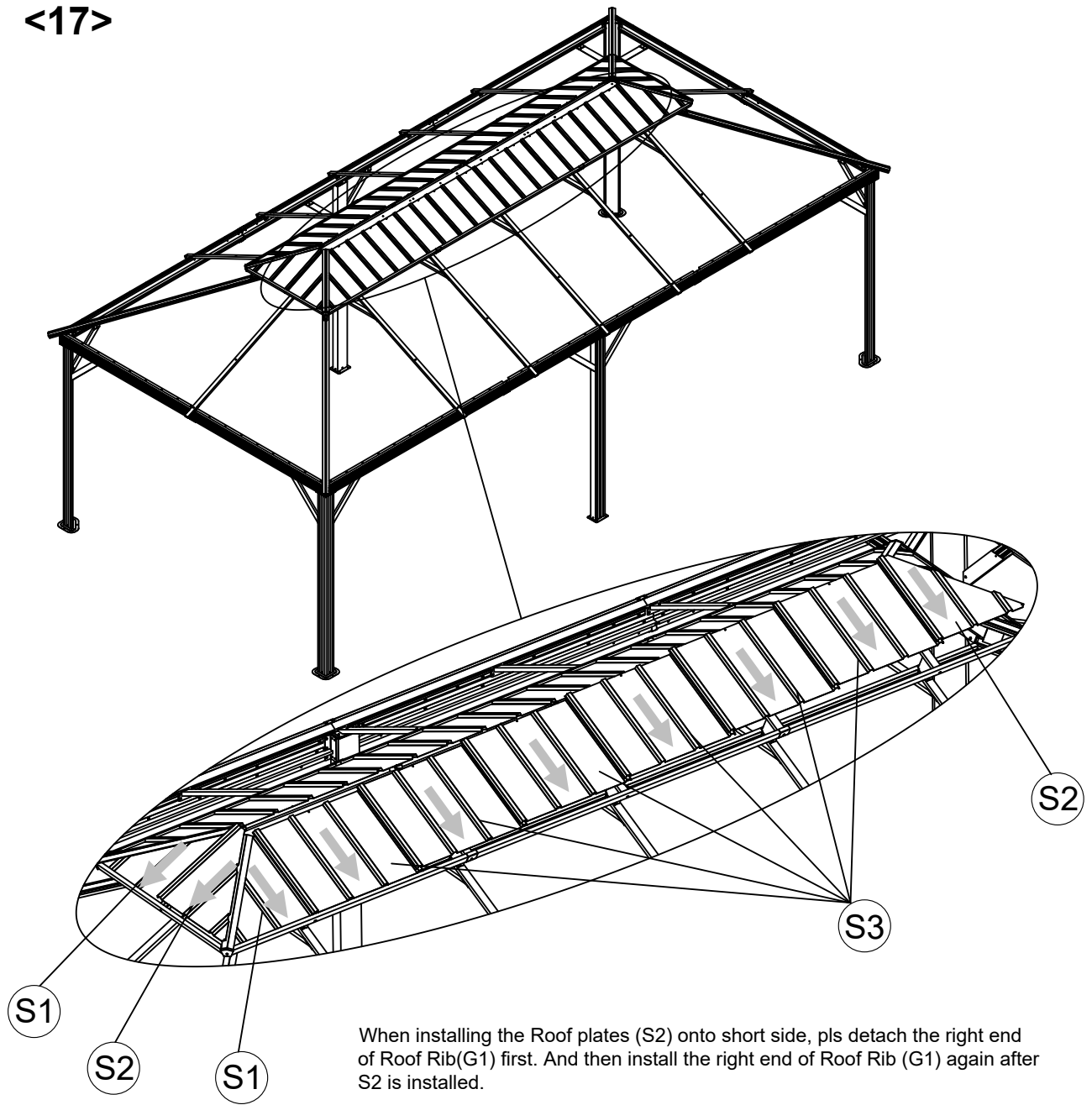
(Z1) 4x



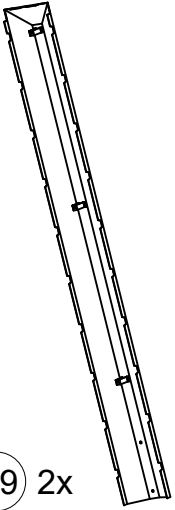
(Z2) 4x

27

<17>



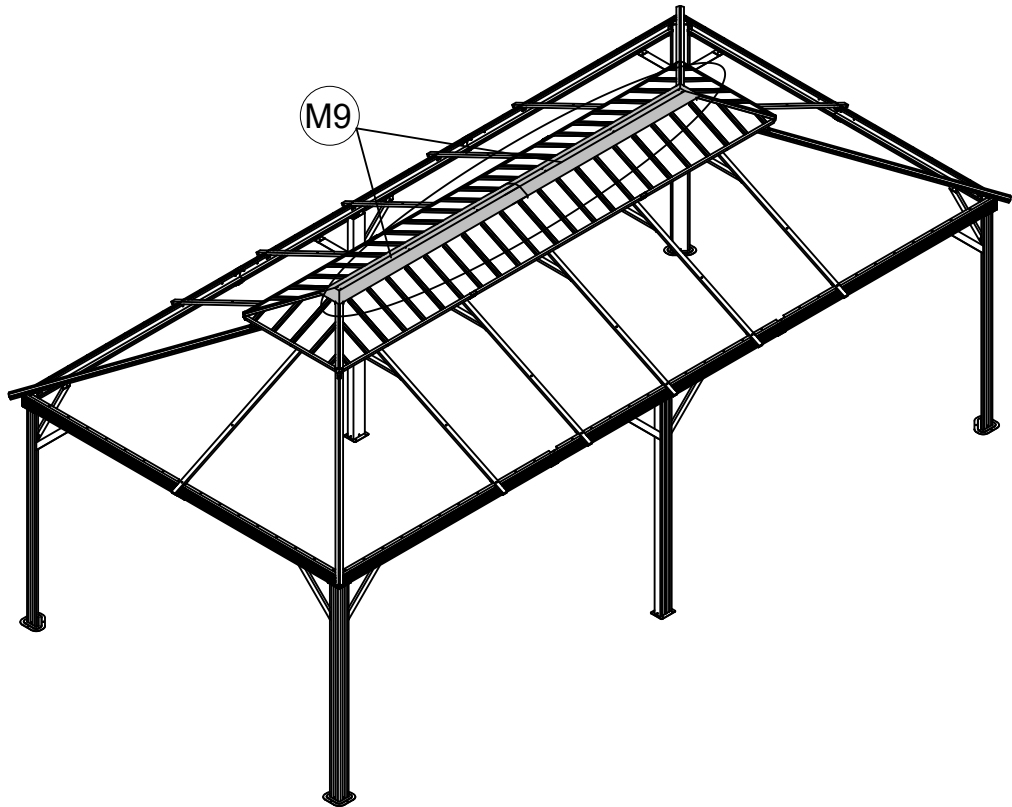
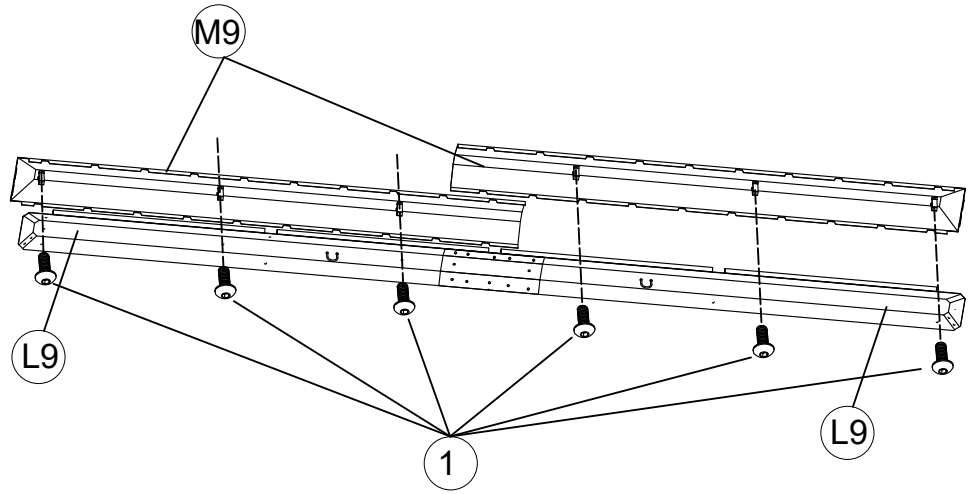
<18>



M9 2x



M6x15
1 6x



<19>



F1 4x



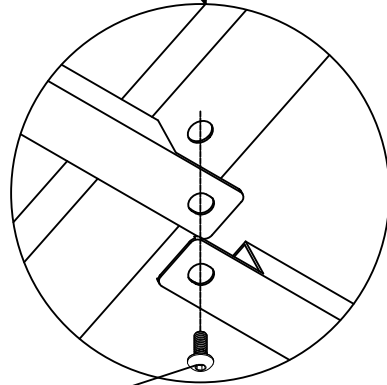
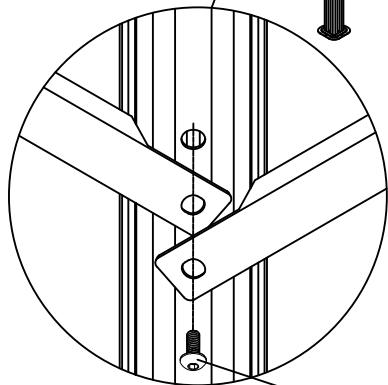
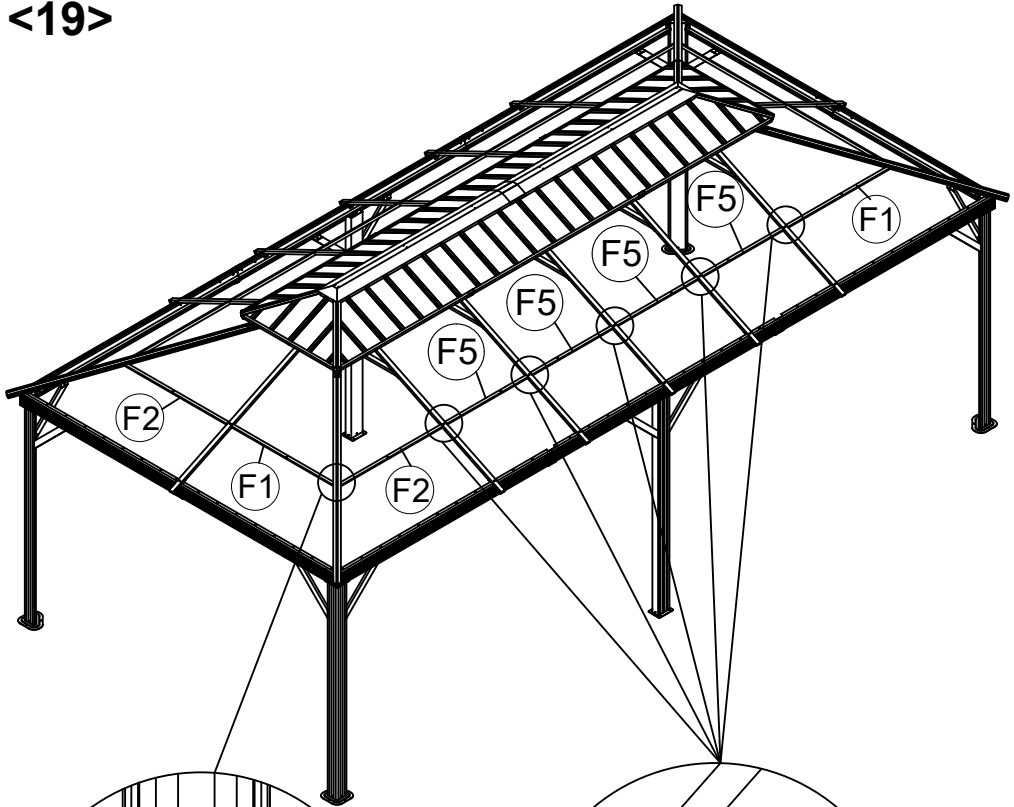
F2 4x



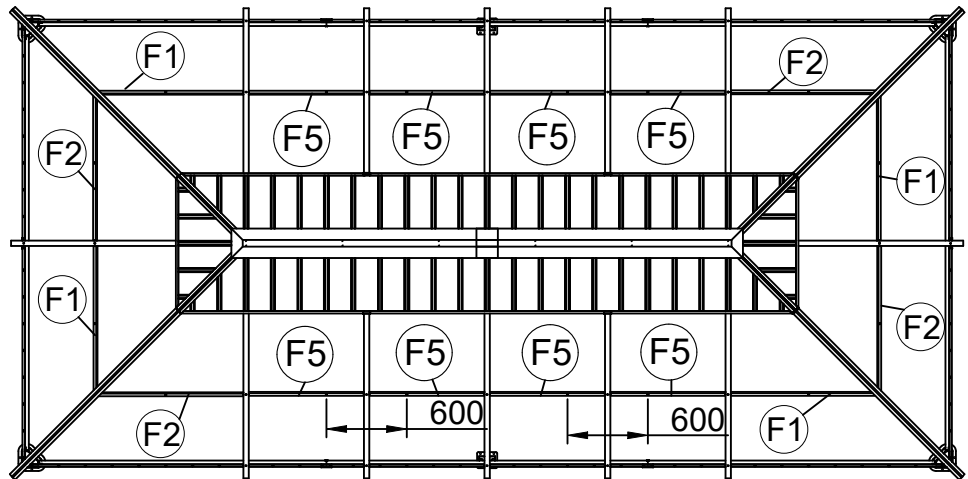
F5 8x



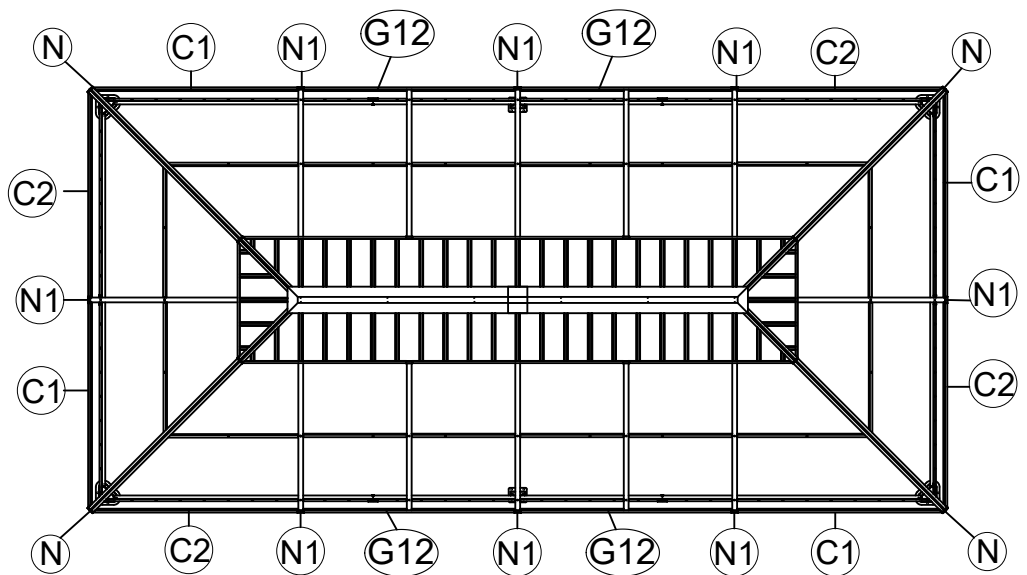
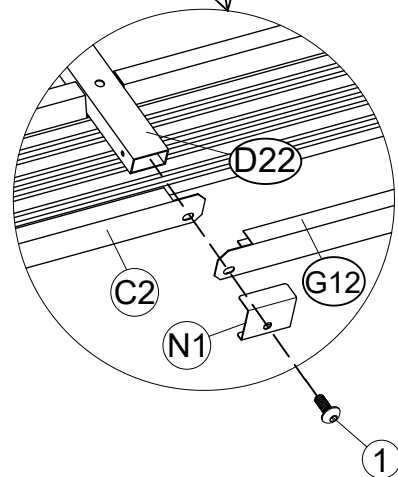
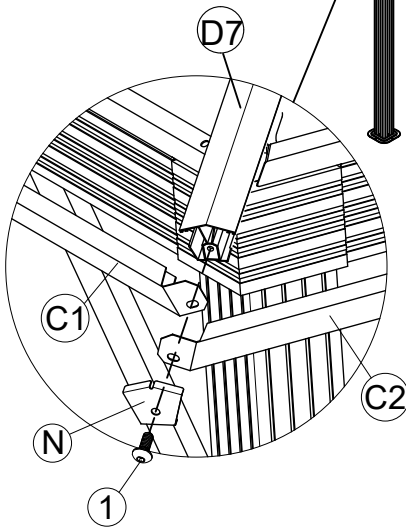
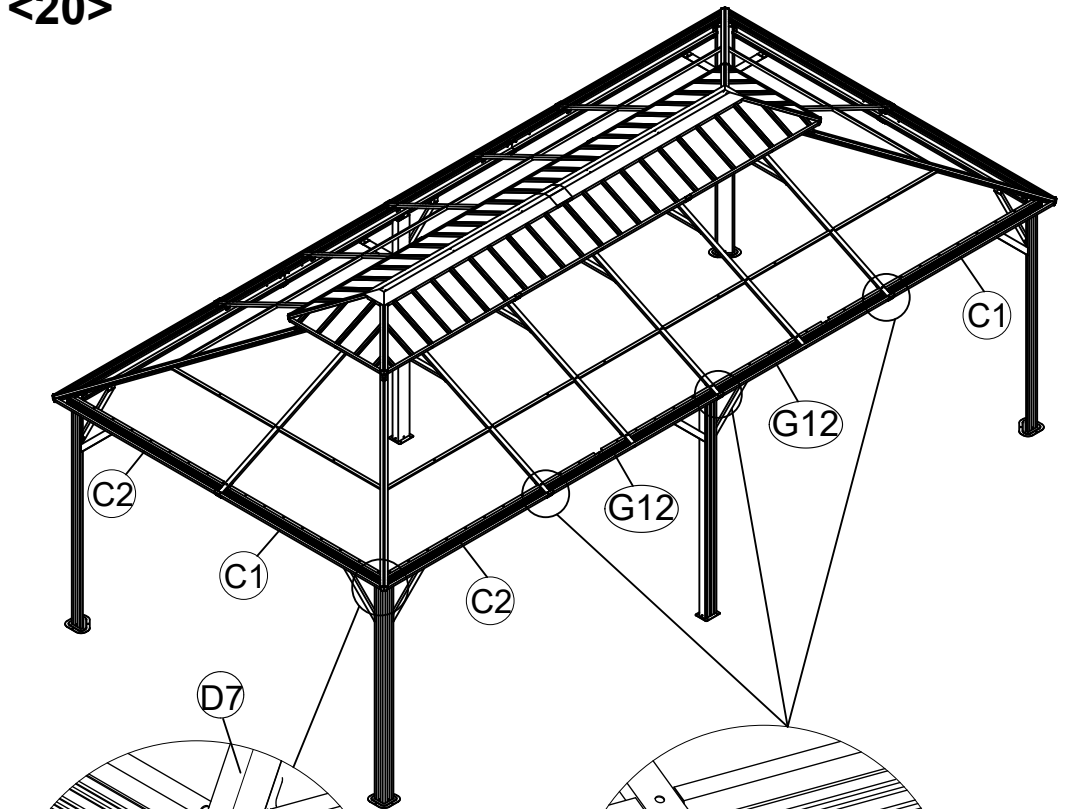
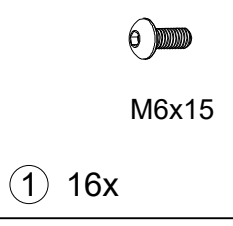
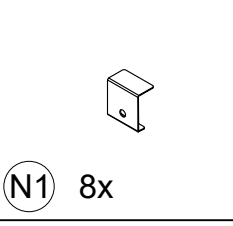
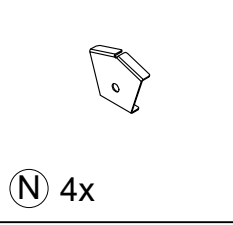
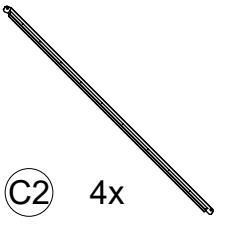
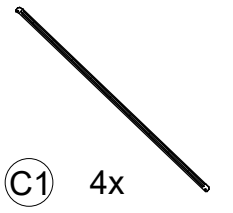
1 16x M6x15



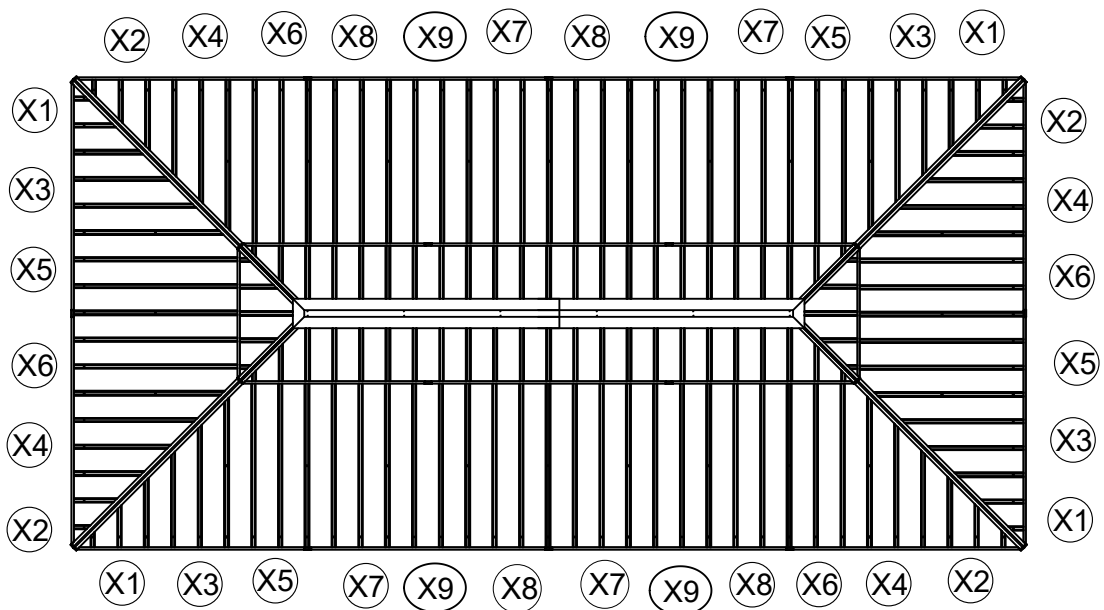
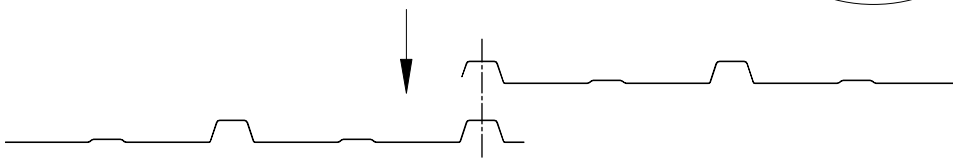
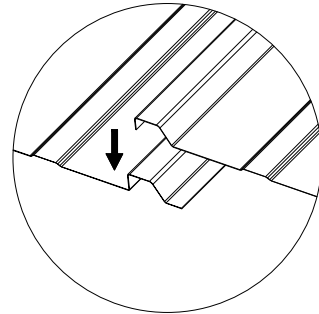
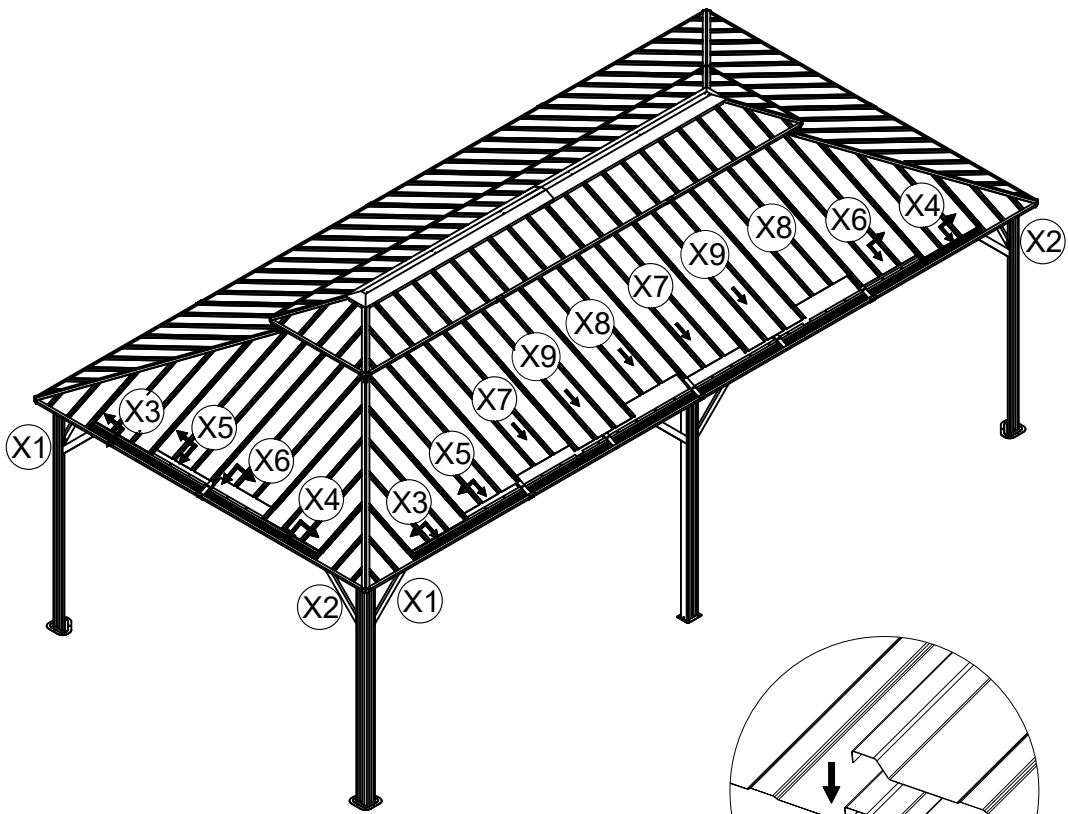
1



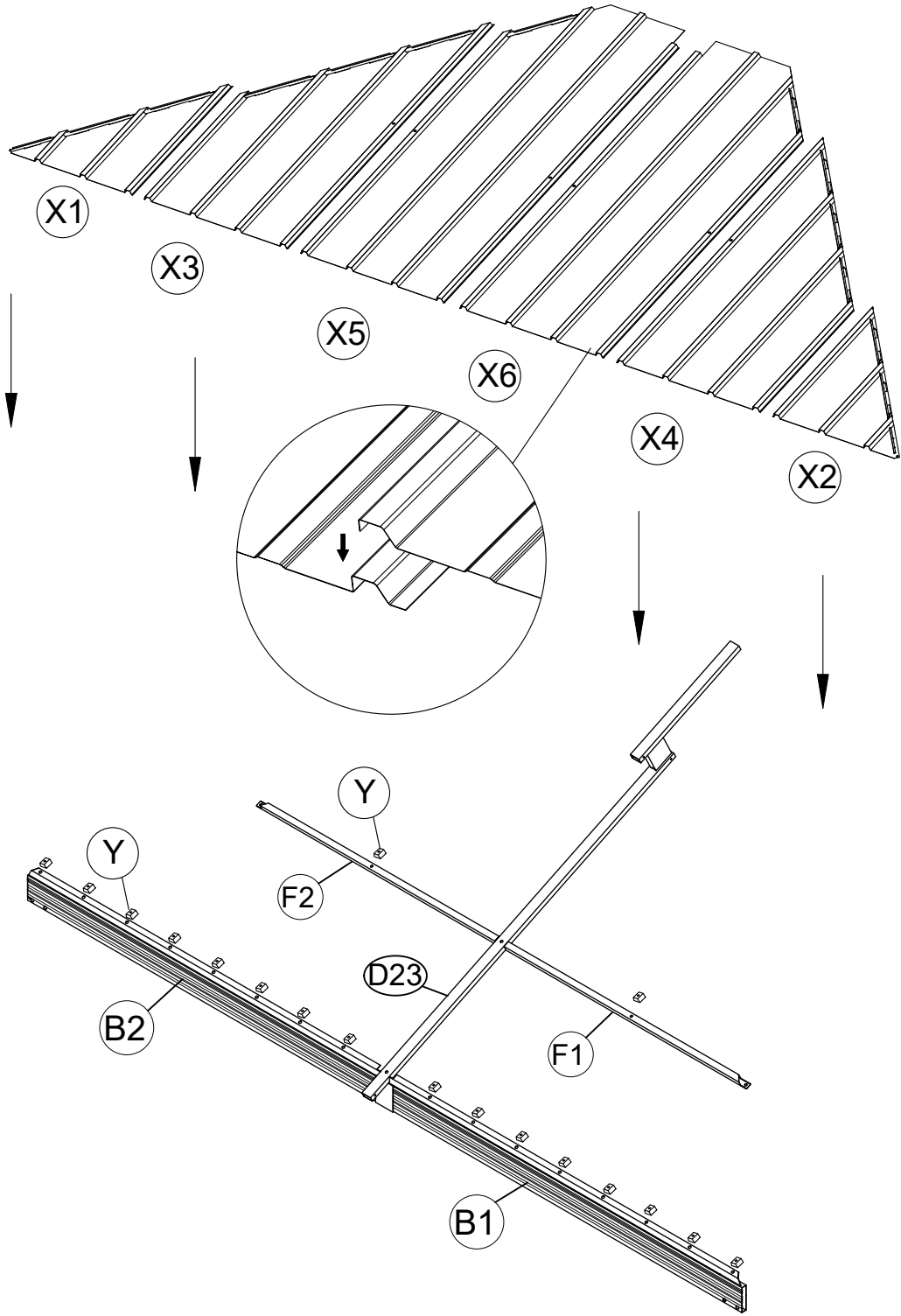
<20>



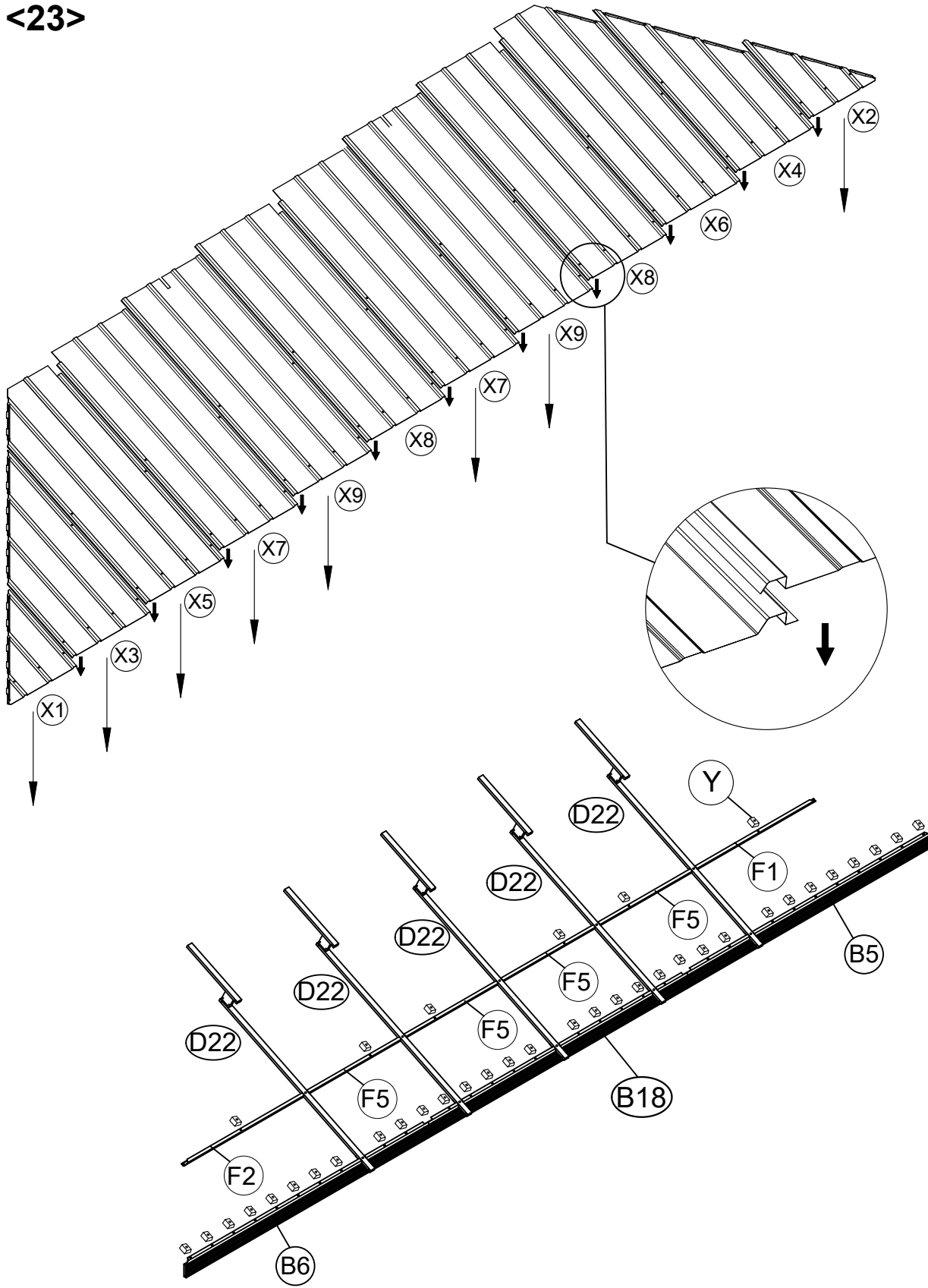
<21>



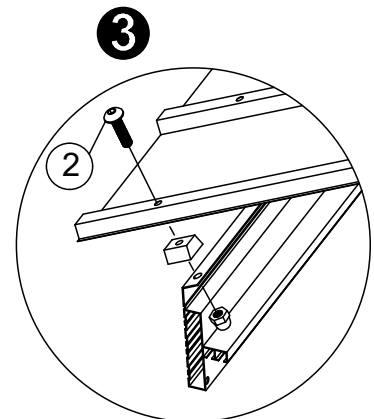
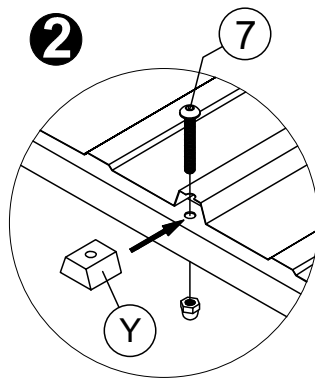
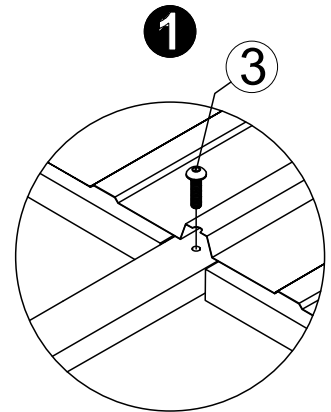
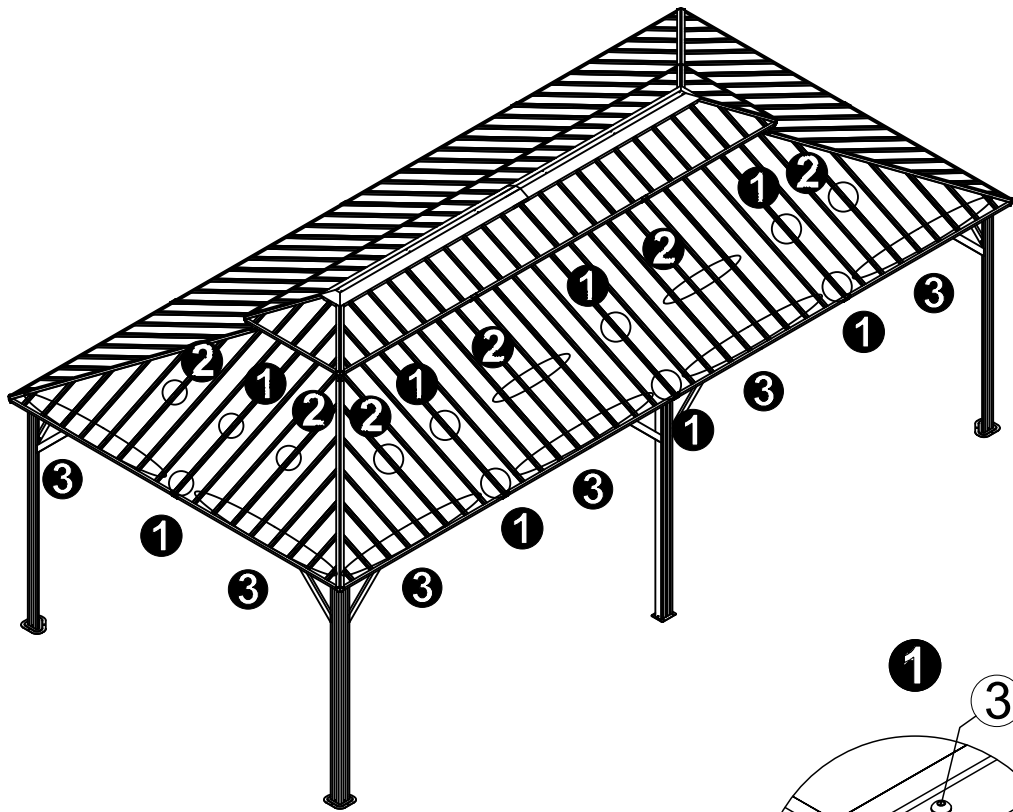
<22>



<23>



<24>



Y 112x



M6x25

3 16x



M6x23

2 96x



M6x45

7 16x

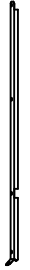
35

Note: When installing the roof top plates, if the roof plates are slightly uneven, pls press the screws from the top of the plates until the bottom screw thread is exposed by 3 to 4mm, and then screw on the nut.

<25>



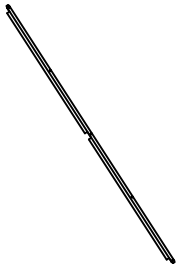
(I1B) 2x



(I7) 2x



(I8) 2x



(I12) 2x

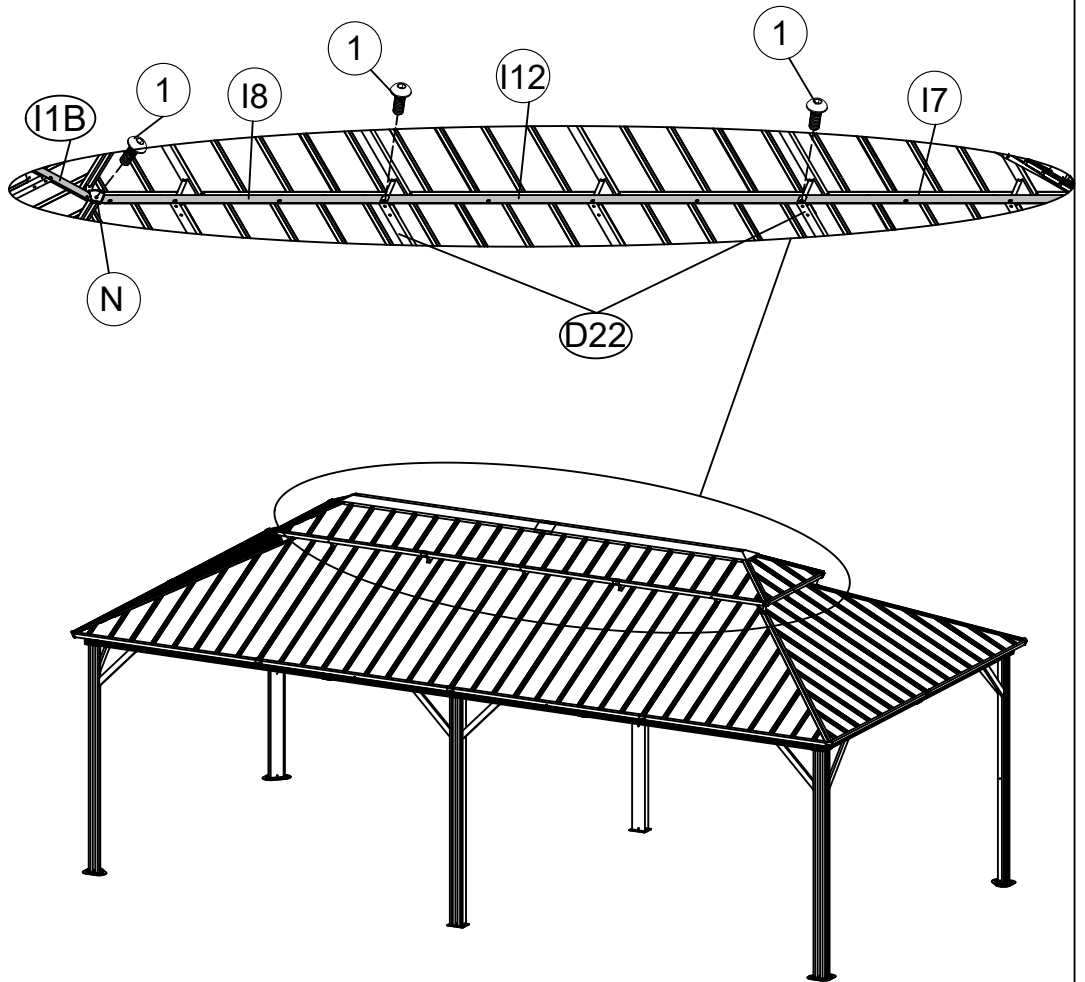
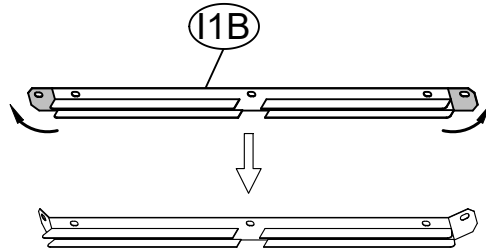


(N) 4x

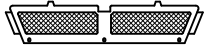








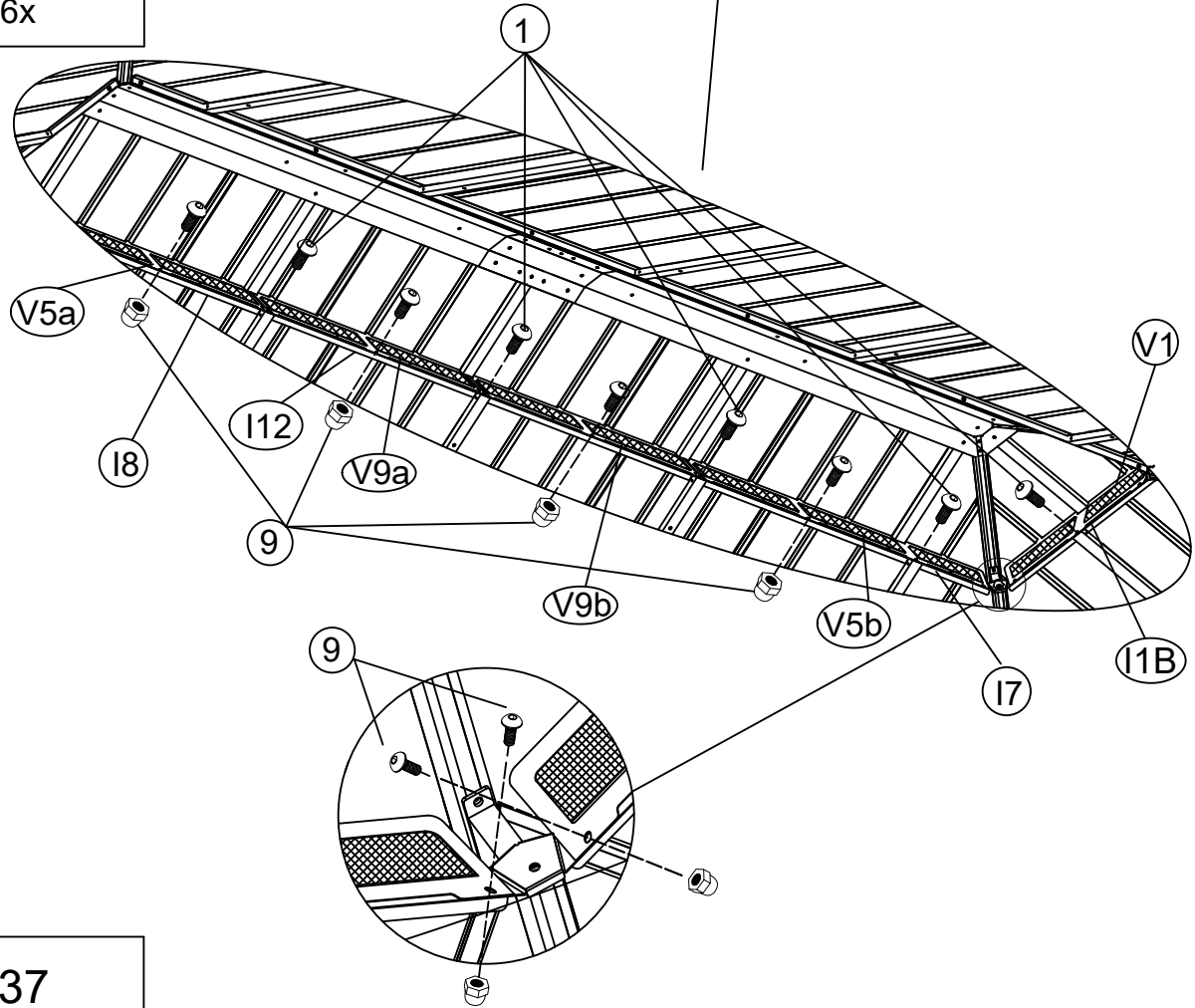
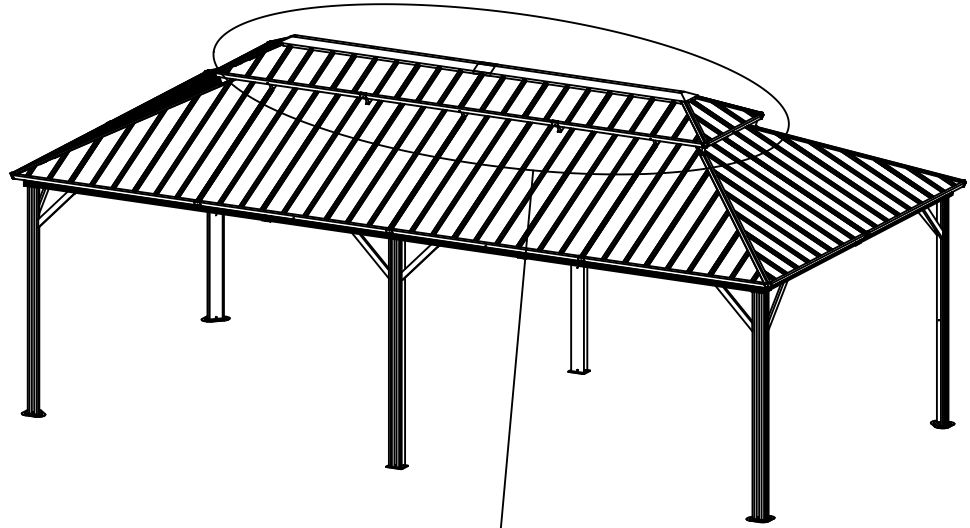
M6x15

(1) 8x

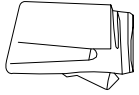


<26>

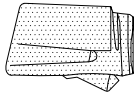
-  V1 2x
-  V5a 2x
-  V5b 2x
-  V9a 2x
-  V9b 2x
-  1 8x M6x15
-  9 16x M6x10



<27>



T 4x + 2x



T1 4x + 2x

