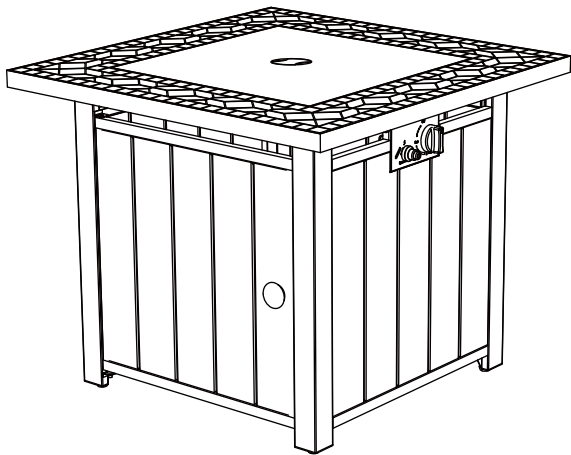


# Assembly Instructions

## 30 Inch Gas Fire Pit



**⚠ DANGER** • FLAMMABLE GAS UNDER PRESSURE.  
LEAKING LP GAS MAY CAUSE A FIRE OR EXPLOSION IF IGNITED  
CAUSING SERIOUS BODILY INJURY OR DEATH.  
CONTACT LP GAS SUPPLIER FOR REPAIRS OR DISPOSAL OF THIS  
CYLINDER OR UNUSED LP GAS.

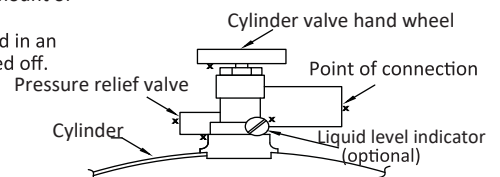
**⚠ WARNING** • FOR OUTDOOR USE ONLY.\*  
DO NOT USE OR STORE CYLINDER IN A BUILDING,  
GARAGE OR ENCLOSED AREA.

**⚠ WARNING:**

- Know the odor of LP gas. If you hear, see or smell leaking LP gas, immediately get everyone away from the cylinder and call the Fire Department. Do not attempt repairs.
- Caution your LP gas supplier to:
  - Be certain cylinder is purged of trapped air prior to first filling. Be certain not to over fill the cylinder.
  - Be certain not to over fill the cylinder.
  - Be certain cylinder requalification date is checked.
- LP gas is heavier than air and may settle in low places when dissipating.
- Contact with the liquid contents of cylinder will cause freeze burns to the skin.
- Do not allow children to tamper or play with cylinder.
- When not connected for use, keep cylinder valve turned off. Self-contained appliances shall be limited to a cylinder of 30 lb capacity or less.
- Do not use, store or transport cylinder where it would be exposed to high temperatures. Relief valve may open allowing a large amount of flammable gas to escape.
- When transporting, keep cylinder secured in an upright position with cylinder valve turned off.

**WHEN CONNECTING FOR USE:**

- Use only in compliance with applicable codes.
- Read and follow manufacturer's instructions.
- Consult manufacturer's instructions concerning the cylinder connection provided with your appliance.
- Be sure regulator vent is not pointing up.
- Turn off all valves on the appliance.
- Do not check for gas leaks with a match or open flame. Apply soapy water at areas marked "X". Open cylinder valve. If bubble appears, close valve and have LP gas service person make needed repairs. Also, check appliance valves and connections to make sure they do not leak before lighting appliance.
- Light appliance(s) following manufacturer's instructions.
- When appliance is not in use, keep the cylinder valve closed.



**DO NOT REMOVE, DEFACE, OR OBLITERATE THIS LABEL**

**\*EXCEPT AS AUTHORIZED BY ANSI/NFPA 58.**

**⚠ DANGER.** Do not store a spare LP cylinder under or near a barbecue grill or other heat sources. NEVER fill an LP cylinder beyond 80% full: a fire causing death or serious injury may occur.




- About installation
- About usage
- About product
- About return
- Others

# SAFETY INFORMATION


Please read and understand this entire manual before attempting to assemble, operate or install the product.


Installer: Leave this manual with the appliance. Consumer: Retain this manual for future reference.


 **DANGER:**  
**FIRE OR EXPLOSION HAZARD**  
 If you smell gas:


- Shut off gas to the appliance.
- Extinguish any open flame.
- If odor continues, leave the area immediately.
- After leaving the area, call your gas supplier or fire department.

Failure to follow these instructions could result in fire or explosion, which could cause property damage, personal injury, or death.

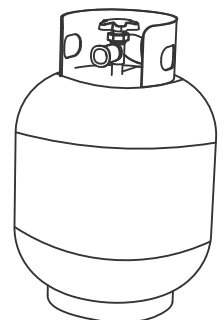
 **WARNING: FOR OUTDOOR USE ONLY!**  
 Installation and service must be performed by a qualified installer, service agency, or the gas supplier.

 **WARNING:**  
 Improper installation, adjustment, alteration, service or maintenance can cause property damage, personal injury, or loss of life. Read the installation, operating, and maintenance instructions thoroughly before installing or servicing this gas appliance.



 **WARNING:** Do not store or use gasoline, or other flammable vapors and liquids, in the vicinity of this or any other appliance. An LP cylinder not connected for use shall not be stored in the vicinity of this or any other appliance.

 **WARNING:**  
**FOR YOUR SAFETY:**  
 If the information in this manual is not followed exactly, a fire or explosion may result causing property damage, personal injury or loss of life. Do not try to light this appliance without reading the "LIGHTING" instructions section of this manual.

- You must provide the propane gas and propane cylinder. Use a standard 20 lb. propane cylinder only.
- Use this fire pit only with a propane vapor withdrawal supply system. See Chapter 5 of the Standard for Storage and Handling of Liquefied Petroleum Gas, ANS/NFPA 58. Your local library or fire department should have this book.
- The pressure regulator and hose assembly supplied with the appliance must be used.
- The installation must conform with local codes, or in absence of local codes, with National Fuel Gas Code, ANSI Z223.1.
- A dented, rusted, or damaged propane cylinder may be hazardous and should be checked by your cylinder supplier.
- Never use a propane cylinder with a damaged valve connection.
- The LP gas supply cylinder must be constructed and marked in accordance with the U.S. Department of Transportation (D.O.T) Specifications for LP Gas Cylinders, or the standard for Cylinders, Spheres and Tubes for Transportation of Dangerous Good and Commission, CAN/CSA-B339, as applicable.
- The LP gas supply cylinder must be provided with a cylinder connection device compatible with the connection for the appliance.
- The cylinder used must include a collar to protect the cylinder valve.
- The LP gas supply cylinder must be provided with a listed overfill protection device (OPD).
- Do not store a spare LP gas cylinder under or near this appliance.
- Never fill the cylinder beyond 80 percent full.
- This fire pit designed to use a CGA No. 791IQCC connection.
- Place the dust cap on the cylinder valve outlet whenever the cylinder is not in use.
- Note: Gas supply pressure: 25 PSI to 250 PSI.



Standard 20 lb. tank

 <b>DANGER</b>	<h2>CARBON MONOXIDE HAZARD</h2> <p>This appliance can produce carbon monoxide which has no odor.          Using it in an enclosed space can kill you.          Never use this appliance in an enclosed space such as a camper, tent, car or home.</p>
	



## SAFETY INFORMATION

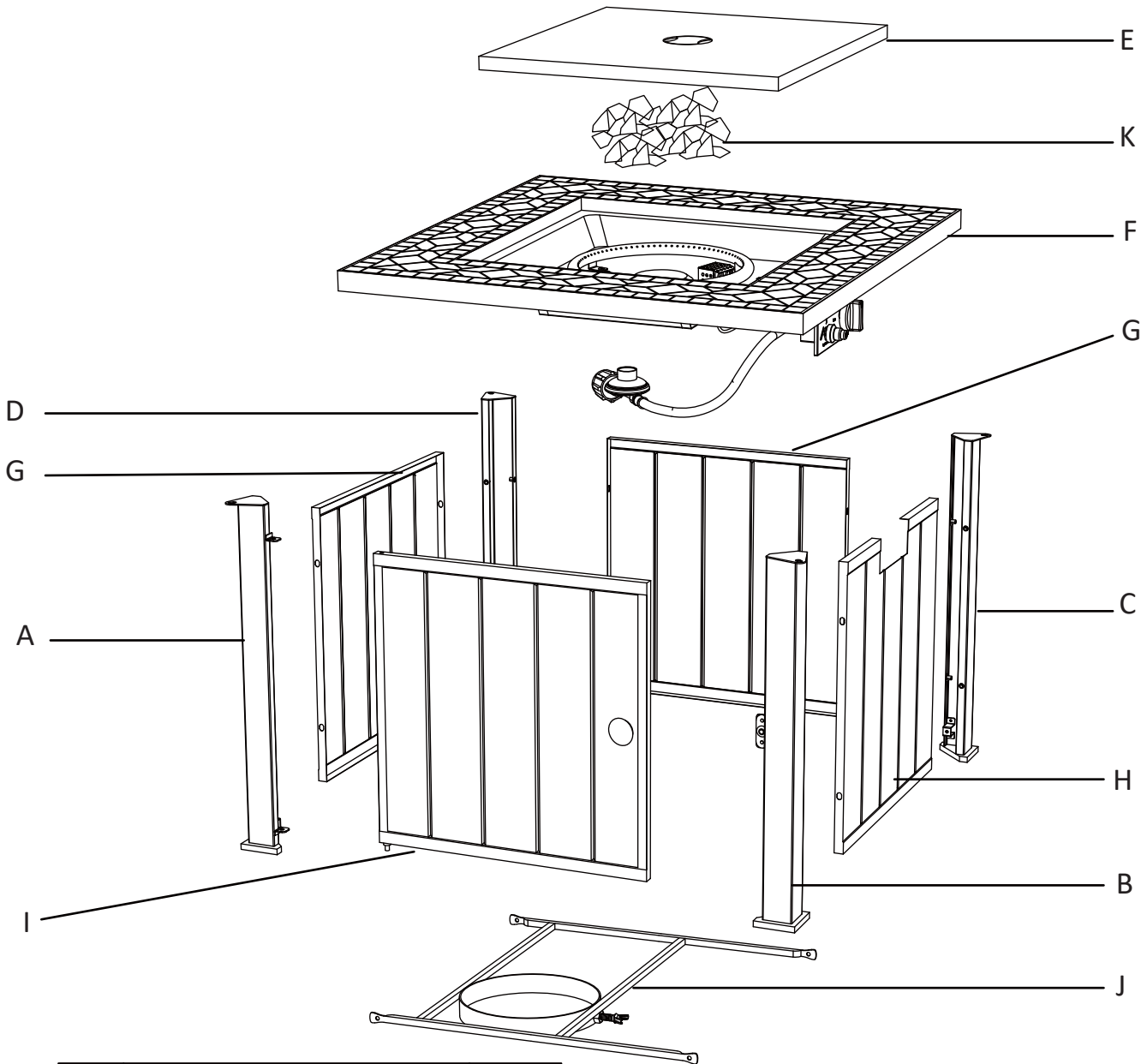
---

- Solid fuels shall not be burned in this appliance.
- The installation must conform with local codes or, in the absence of local codes, ANSIZ223. 1/NFPA54, NFPA58 Natural Gas and Propane Installation Code, CSA B149.1, or Propane Storage and Handling Code, B149.2.
- The appliance must be isolated from the gas supply piping system by closing its individual manual shut-off valve during any pressure testing of the gas supply piping system at test pressures equal to or less than 1/2 psi (3.5 kPa).
- Max. gas supply 6791.3 in. wc (1725kPa). Manifold pressure 11 in. wc (2.74 kPa).
- Prior to use, check for damaged parts such as hoses, regulators, pilots, or burners.
- Inspect the fuel supply connection for signs of leakage (including the hose for the LP models) before each use of the appliance.
- All leak tests should be done with a soapy solution. NEVER USE AN OPEN FLAME TO CHECK FOR LEAKS.
- Children and adults should be alerted to the hazards of high surface temperatures and should stay away from the appliance to avoid burns or clothing ignition. This appliance comes with a heat shield which is an important safety component preventing contact with the fire bowl when adjusting the propane valve.
- Young children should be carefully supervised when they are in the area of the fire pit.
- Clothing or other flammable materials should be not be hung from the fire pit, or placed on or near the fire pit.
- Any guard or other protective device removed for servicing the fire pit, must be replaced prior to operating the fire pit.
- Installation and repair should be done by a qualified service person. The fire pit should be inspected before use and at least annually by a qualified service person.
- More frequent cleaning may be required as necessary. It is imperative that the control compartment, burners, and circulating air passageways of the fire pit be kept clean.
- Keep the appliance area clear and free from combustible materials, gasoline, and other flammable vapors and liquids.
- DO NOT OBSTRUCT the combustion process or air ventilation flow.
- Keep the ventilation opening(s) of the cylinder enclosure free and clear from debris.
- The appliance should be used in a well-ventilated space and not in a building, garage or any other enclosed area.
- The appliance may be installed within a shelter if the shelter meets one of the following conditions:
  - The shelter has walls on all sides, but with no overhead cover.
  - The shelter is within a partial enclosure which includes side walls. These side walls may be parallel, as in a breezeway, or at right angles to each other.

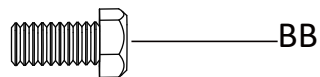
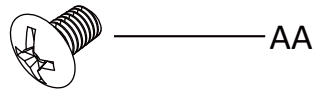


**WARNING:** FUELS USED IN LIQUIFIED PROPANE GAS APPLIANCES, AND THE PRODUCTS OF COMBUSTION OF SUCH FUELS, CAN EXPOSE YOU TO CHEMICALS INCLUDING BENZENE, WHICH IS KNOWN TO THE STATE OF CALIFORNIA TO CAUSE CANCER AND CAUSE BIRTH DEFECTS OR OTHER REPRODUCTIVE HARM. For more information go to: [www.P65Warnings.ca.gov](http://www.P65Warnings.ca.gov).

# PART LIST



No.	PARTS	Qty
A	Leg A	1
B	Leg B	1
C	Leg C	1
D	Leg D	1
E	Lid	1
F	Table Top With Burner	1
G	Side Panel	2
H	Side Panel With Window	1
I	Door	1
J	Gas Tank Support	1
K	Lava Rock	1

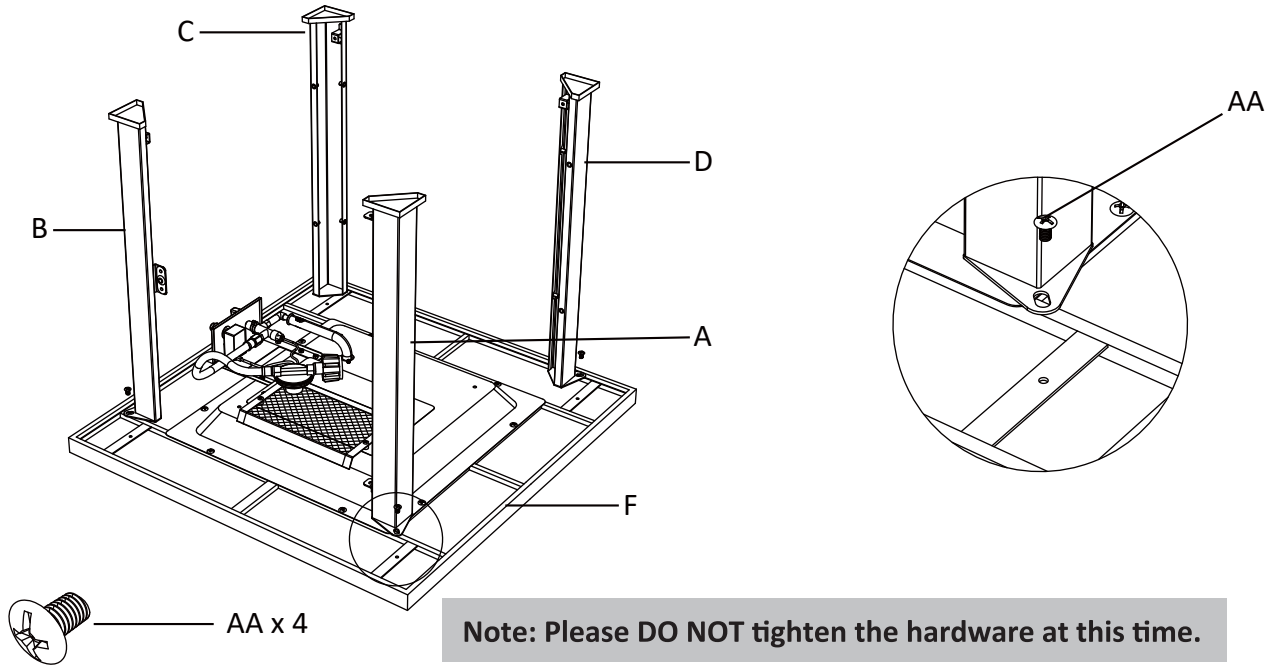


No.	Hardware	Qty
AA	M6*12mm Bolt	20
BB	M6*20mm Bolt	1

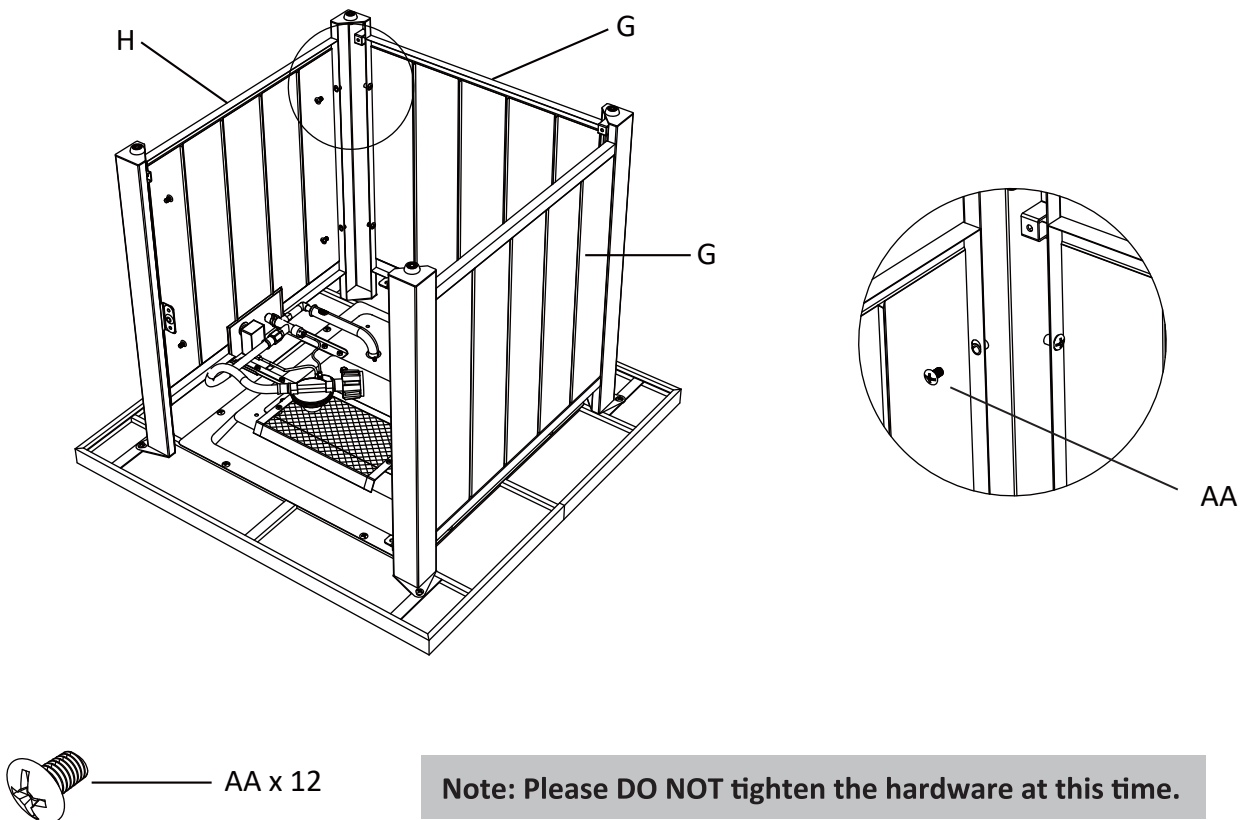
# ASSEMBLY INSTRUCTIONS

NOTE: Assemble the fire pit on a non-abrasive surface. Wear gloves during assembly.

**Step 1:** Attach the leg (A), the leg (B), the leg (C) and the leg (D) to the table top with burner (F) using M6 x 12 mm bolts (AA).

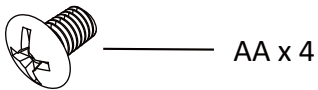
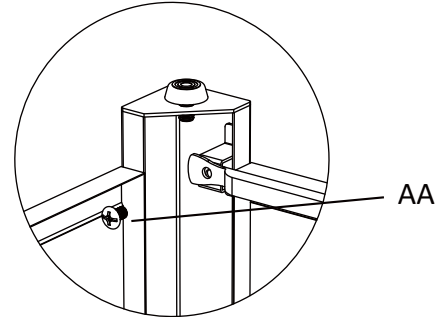
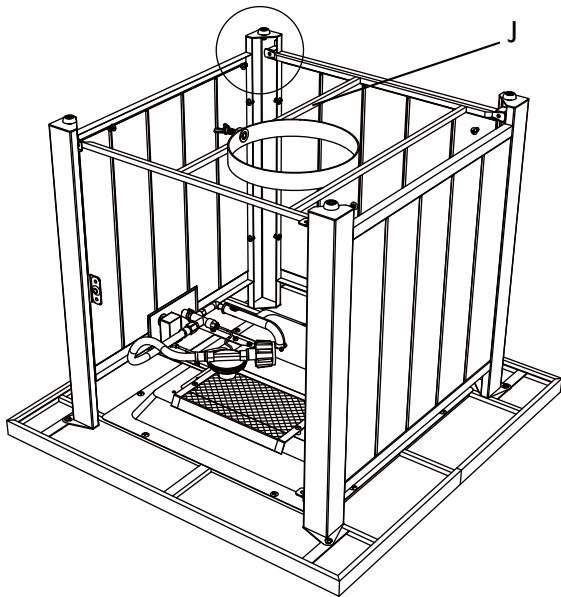


**Step 2:** Attach each side panel (G) and side panel with window (H) to the legs using M6 x 12mm bolts (AA).



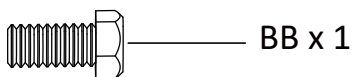
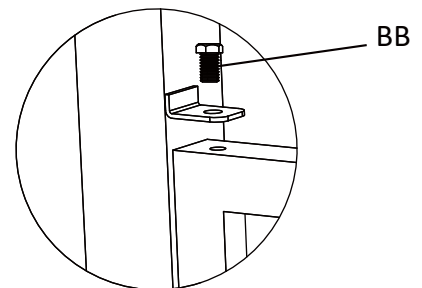
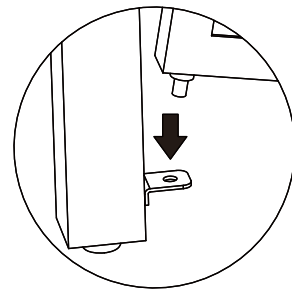
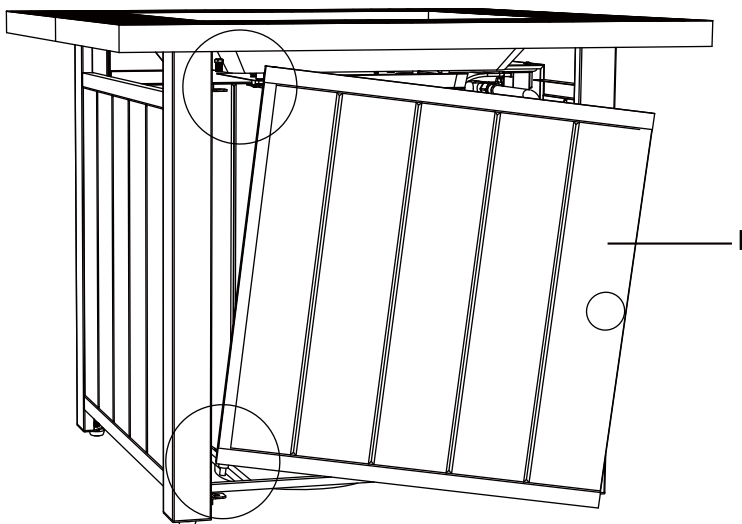
## ASSEMBLY INSTRUCTIONS

**Step 3:** Attach the gas tank support (J) to the legs using M6 x 12 mm bolts (AA).



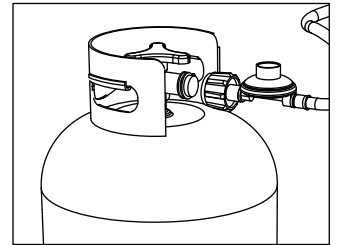
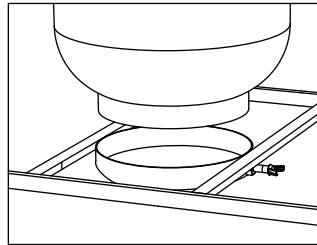
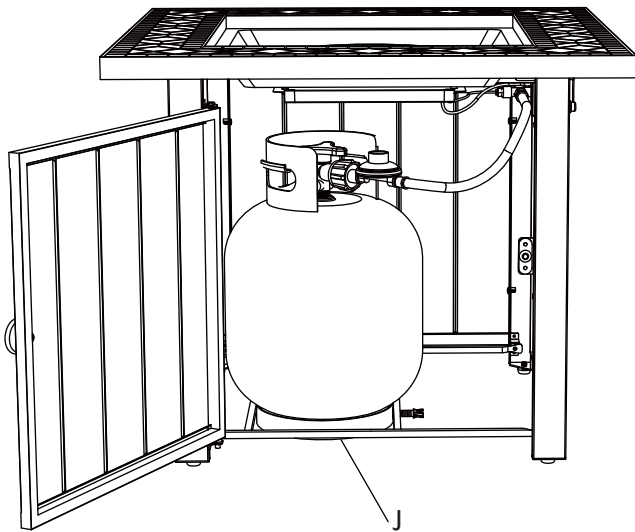
**Note:** Tighten all bolts (AA) with a Phillips screwdriver (not included).

**Step 4:** Orient the unit so that table top with burner is facing up. Insert the door (I) to the leg A and attach it using one M6 x 20 mm bolt (BB).



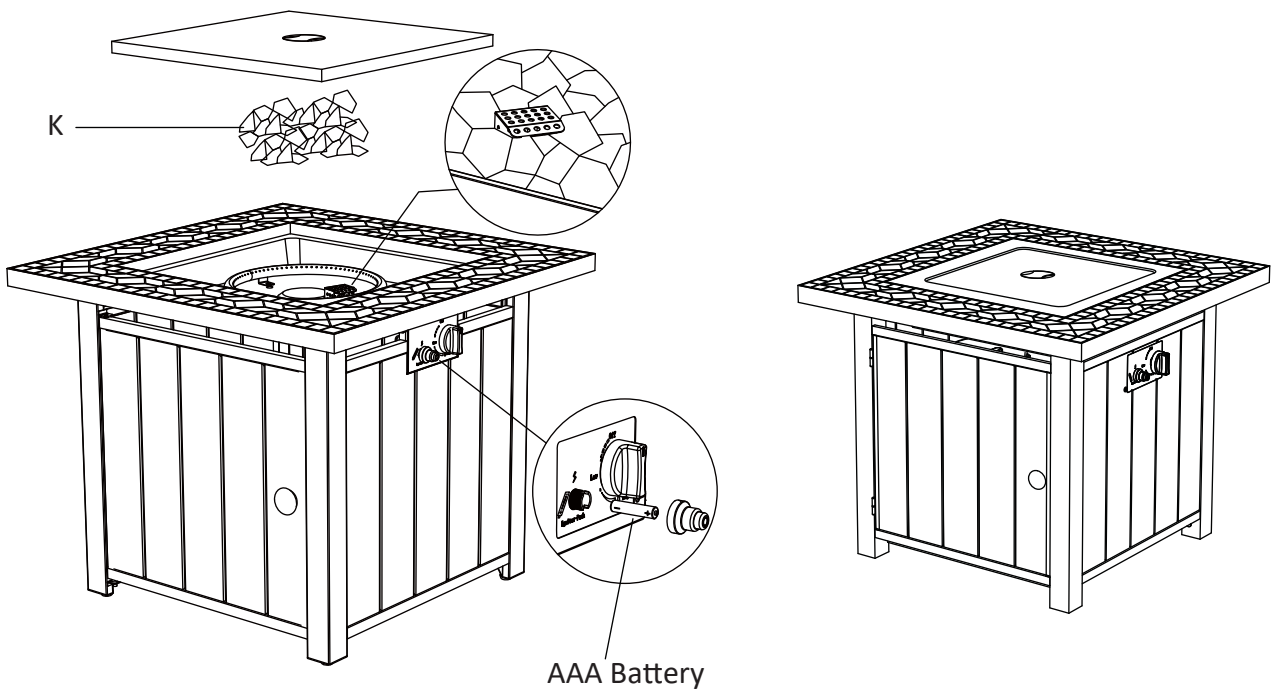
## ASSEMBLY INSTRUCTIONS

**Step 5:** Put the cylinder into the gas tank support (J), and secure the cylinder by tightening the screw in the gas tank support (J). Connect the hose and regulator to the cylinder.



**NOTE:** The propane cylinder is sold separately. Use a standard 20 lb. propane cylinder only. Put the hose away from the fire bowl base when connecting the propane cylinder.

**Step 6:** Open the igniter and place the AAA battery (not included) into the igniter. Then tighten clockwise. Place the lava rock (K) into the fire bowl. Ensure lava rock is not placed on the ignition portion of the burner.



## OPERATION

---



**CAUTION:** Never use this appliance for other than the intended use. DO NOT use this appliance to prepare food.

**Initial Lighting:** When lit for the first time, the appliance emits a slight odor. This is a normal temporary condition caused by the “burn-in” of internal paints and lubricants used in the manufacturing process and does not occur again. Simply run the main burner on high for approximately one-half hour.



**CAUTION:**

Children and adults should be alerted to the hazards of high surface temperatures and should stay away from the appliance to avoid burns or clothing ignition.

Children should be carefully supervised when they are in the area of the appliance.

Clothing or other flammable materials should not be hung from the appliance, or placed on or near the appliance. The area above the fire pit may be extremely hot. Direct contact with these surfaces should be avoided in order to prevent burns or clothing ignition.

Any guard or protective device removed for servicing the appliance must be replaced prior to operating the appliance.

Installation and repair should be done by a qualified service person.

The appliance should be inspected before each use and at least annually by a qualified service person. More frequent cleaning may be required as necessary. It is imperative that the control compartment, burners and circulating air passageways of the appliance be kept clean.



**CAUTION:**

Never use the appliance while it is raining. Always turn the appliance off when raining.

Never use the appliance if the burner is damaged. Inspect the burner before each use. Ensure that no debris such as leaves, grass or other objects have entered or are on the appliance. If the burner is damaged it must be replaced prior to using this appliance with a replacement burner specified by your dealer.

Inspect the hose assembly before each use. If there is evidence of excessive abrasion or wear, or if the hose is damaged it must be replaced prior to using the appliance with a replacement hose assembly specified by your dealer.



**CAUTION: Any modification to the appliance may compromise the safety of this appliance.**

Special concern is as follows:

Do not bypass the thermocouple safety.

Do not operate the appliance if any parts have been under water. Immediately call a qualified service technician to inspect the appliance and replace any part of the control system, and any gas control, which has been under water.

## OPERATION

### LEAK TESTING OPERATION



**WARNING:** A leak test must be performed annually or if a part of the gas system is replaced.



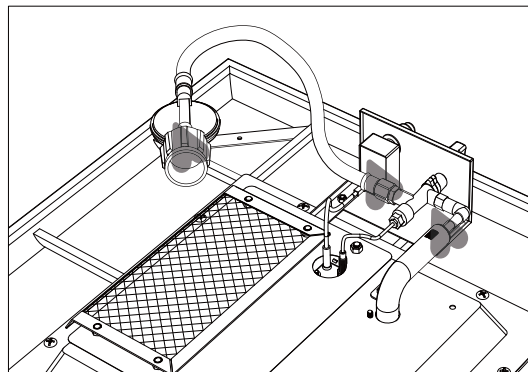
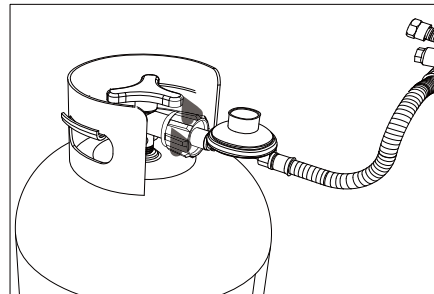
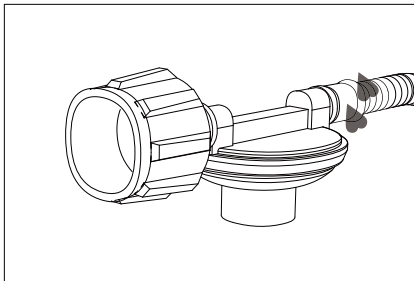
**WARNING:** Never use an open flame to check for gas leaks. Be certain no sparks or open flames are in the area while you check for leaks. Sparks or open flames will result in a fire or explosion, damage to property, serious bodily injury, or death.

**LEAK TESTING:** This must be done before initial use, quarterly, and whenever any gas components are replaced or serviced. Do not smoke while performing this test, and remove all sources of ignition. See leak testing diagram for areas to check. Turn all burner controls to the off position. Turn gas supply valve on. Brush a half-and-half solution of liquid soap and water onto all joints and connections of the regulator, hose, manifolds and valves. Bubbles will indicate a gas leak. Either tighten the loose joint or have the part replaced with one recommended by your dealer and have the appliance inspected by a certified gas installer.

If the leak cannot be stopped, immediately shut off the gas supply, disconnect it, and have the appliance inspected by a certified gas installer or dealer. Do not use the appliance until the leaks have been corrected.



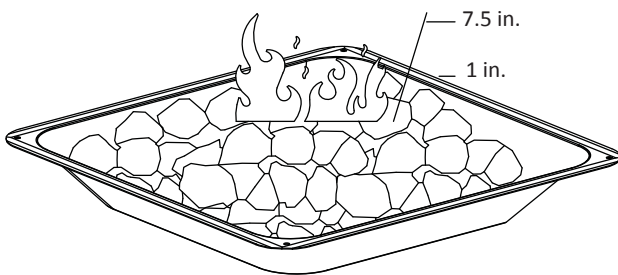
**WARNING:** DO NOT USE AN OPEN FLAME.



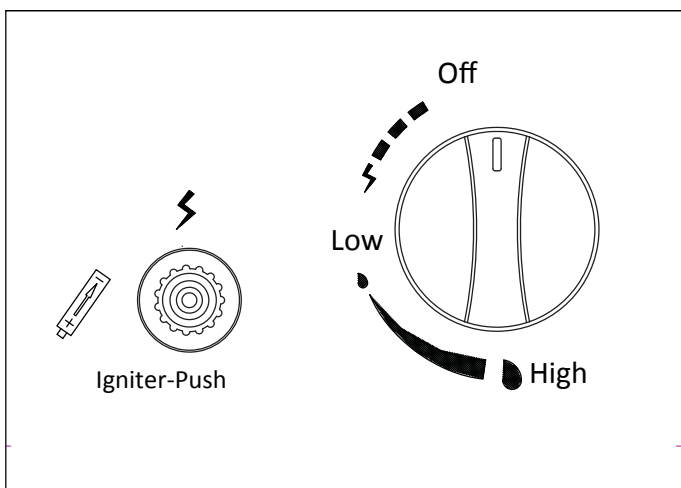
## OPERATION

### LIGHTING INSTRUCTIONS

- Press and hold electronic igniter button.
- Turn the burner control to the low position, press and hold. When the burner lights, release the electronic igniter button.
- Continue to depress the burner control knob for 30 seconds and then release. If the flame goes out, repeat the procedure.
- Adjust the flame to the desired height with the burner control knob. Visually check the burner flames as pictured below.



- If the burner will not light with the electronic igniter, hold a lit long match or lit long butane lighter to the ignition area of the burner and continue with step 2.
- To shut down the burner turn the burner control knob clockwise to the off position. Then turn the gas off at the source (propane cylinder valve).



#### WARNING

FOR YOUR SAFETY:  
Keep face and body away from burner area when lighting.  
Ensure burner controls are in the off position.  
Slowly turn on the gas supply valve.

#### WARNING

FOR YOUR SAFETY:  
The propane cylinder is equipped with an excess flow device. Unless burners are turned off prior to turning the cylinder on, only small flames and low heat will be achievable.

#### WARNING

FOR YOUR SAFETY:  
If the burner does not light within 10 seconds, turn the valve off and wait 5 minutes for any gas to dissipate before repeating the procedure.

#### WARNING

FOR YOUR SAFETY:  
Surface of the fire pit can remain extremely hot for a period after use.  
Allow 45 minutes to cool down before touching or moving the fire pit.

## MAINTENANCE

---

### Storage between uses:

- Turn the control knob to “OFF” position.
- Disconnect LP source.
- Store fire pit upright in an area sheltered from direct contact with inclement weather (such as rain, sleet, hail, snow, dust and debris).
- If desired, cover fire pit to protect exterior surfaces and to help prevent build up in air passages.

**NOTE:** Wait until fire pit is cool before covering.

### Storage during periods of extended inactivity or when transporting:

- Turn the control knob to “OFF” position.
- Disconnect LP source and move to a secure, well ventilated location outdoors. DO NOT store in a location that will exceed 125°F.
- Store fire pit upright in an area sheltered from direct contact with inclement weather (such as rain, sleet, hail, snow, dust and debris).
- If desired, cover fire pit to protect exterior surfaces and to help prevent build up in air passages.

**NOTE:** Wait until fire pit is cool before covering.

## CARE AND CLEANING

---

To enjoy years of outstanding performance from your fire pit, make sure you perform the following maintenance activities on a regular basis:

- Keep exterior surface clean.
- Use warm soapy water for cleaning. Never use flammable or corrosive cleaning agents.
- While washing your unit, be sure to keep the area around the burner dry at all times. If the gas control is exposed to water, do NOT try to use it. It must be replaced.
- Keep the appliance area free and clean from combustible materials, gasoline or other flammable vapors and liquids.
- At least once a year, the unit should be inspected for the presence of spiders, spider webs or other insects.
- Air flow must be unobstructed. Keep controls, burner, and circulating air passageways clean. Signs of possible blockage include:
  - Gas odor with extreme yellow tipping of flame.
  - Heater does NOT reach the desired temperature.
  - Heat glow is excessively uneven.
  - Heat makes popping noises.
- Spider and insects can nest in burner or orifices. This dangerous condition can damage the fire pit and render it unsafe for use. Clean burner holes by using a heavy-duty pipe cleaner. Compressed air may help clear away smaller particles.
- Carbon deposits may create a fire hazard. Clean thermocouple with a dry cloth if any carbon deposits develop.
- The burner is made from stainless steel, but extreme heat and a corrosive environment can cause surface corrosion to occur. This can be removed with a brass wire brush. Inspect the burner at least annually for cracks, insect nests, excessive corrosion or any other damage. If the burner is damaged, it must be replaced with a burner specified by the manufacturer before the appliance is put into operation.

## TROUBLE SHOOTING

Problem	Cause	Solution
<ul style="list-style-type: none"> <li><input type="checkbox"/> The flame and heat are low when the valve is turned to high.</li> </ul>	<ul style="list-style-type: none"> <li><input type="checkbox"/> The propane lighting procedure was not followed correctly.</li> </ul>	<ul style="list-style-type: none"> <li><input type="checkbox"/> Ensure lighting procedure is followed carefully. The valve must be in the off position when the tank valve is turned on. Turn the tank on slowly to allow pressure to equalize. See Lighting Instructions in the Operating section.</li> </ul>
<ul style="list-style-type: none"> <li><input type="checkbox"/> Burners burn with yellow flame, accompanied by the smell of gas.</li> </ul>	<ul style="list-style-type: none"> <li><input type="checkbox"/> There is possibly a spider web or other debris.</li> </ul>	<ul style="list-style-type: none"> <li><input type="checkbox"/> Thoroughly clean the burner venturi. See the Maintenance section.</li> </ul>
<ul style="list-style-type: none"> <li><input type="checkbox"/> The burner will not light with the igniter, but will light with a match.</li> </ul>	<ul style="list-style-type: none"> <li><input type="checkbox"/> The battery is either dead or installed incorrectly.</li> <li><input type="checkbox"/> There is a loose electrode wire or switch terminal wires.</li> </ul>	<ul style="list-style-type: none"> <li><input type="checkbox"/> Check the installation or replace with a new battery.</li> <li><input type="checkbox"/> Check that the electrode wire is firmly pushed onto the terminal on the back of the igniter. Check that the lead wires from the module to the ignition switch (if equipped) are firmly pushed onto their respective terminals.</li> </ul>
<ul style="list-style-type: none"> <li><input type="checkbox"/> The burner will not stay lit when control knob is released.</li> </ul>	<ul style="list-style-type: none"> <li><input type="checkbox"/> The knob is not being held in long enough.</li> <li><input type="checkbox"/> It is too windy outside.</li> <li><input type="checkbox"/> Lava rock or debris are in the ignition area of the burner preventing the thermocouple from being fully engulfed in flame.</li> <li><input type="checkbox"/> Either the thermocouple or thermocouple connection is dirty.</li> <li><input type="checkbox"/> Either the thermocouple or valve is faulty</li> </ul>	<ul style="list-style-type: none"> <li><input type="checkbox"/> The thermocouple must have time to heat up. Hold the knob in for 30 seconds after the burner lights, then release.</li> <li><input type="checkbox"/> The unit will shut down if winds are greater than 10 mph (16 km/h). Either relocate the fire pit to a different area or use when it is less windy.</li> <li><input type="checkbox"/> Ensure there is no lava rock or other debris in the ignition area, and that the small hole below the thermocouple is unobstructed.</li> <li><input type="checkbox"/> Clean the thermocouple and clean the connection between the valve and thermocouple. Ensure the connection is properly tightened.</li> <li><input type="checkbox"/> Replace thermocouple and/or valve.</li> </ul>
<ul style="list-style-type: none"> <li><input type="checkbox"/> The regulator is humming.</li> </ul>	<ul style="list-style-type: none"> <li><input type="checkbox"/> This is a normal occurrence on hot days.</li> </ul>	<ul style="list-style-type: none"> <li><input type="checkbox"/> This is not a defect. It is caused by internal vibrations in the regulator and does not affect the performance or safety of the gas fire pit. Humming regulator will not be replaced.</li> </ul>
<ul style="list-style-type: none"> <li><input type="checkbox"/> The valve is set to high but there is low heat output. There is also a rumbling noise and a fluttering blue flame at the burner surface.</li> </ul>	<ul style="list-style-type: none"> <li><input type="checkbox"/> There is not enough gas.</li> <li><input type="checkbox"/> The supply hose is pinched.</li> <li><input type="checkbox"/> The burner orifice is either dirty or clogged.</li> <li><input type="checkbox"/> There are spider webs or other matter in venturi tube.</li> <li><input type="checkbox"/> The propane regulator is in a "low flow" state.</li> </ul>	<ul style="list-style-type: none"> <li><input type="checkbox"/> Check the gas level in the propane cylinder.</li> <li><input type="checkbox"/> Reposition the supply hose as necessary.</li> <li><input type="checkbox"/> Clean out the burner orifice.</li> <li><input type="checkbox"/> Clean out the venturi tube.</li> <li><input type="checkbox"/> Ensure the lighting procedure is followed carefully. All valves must be in the off position when the tank valve is turned on. Turn tank on slowly to allow pressure to equalize. See the Lighting Instructions in the Operating section.</li> </ul>

Welcome to share any pictures or videos about this fire pit!