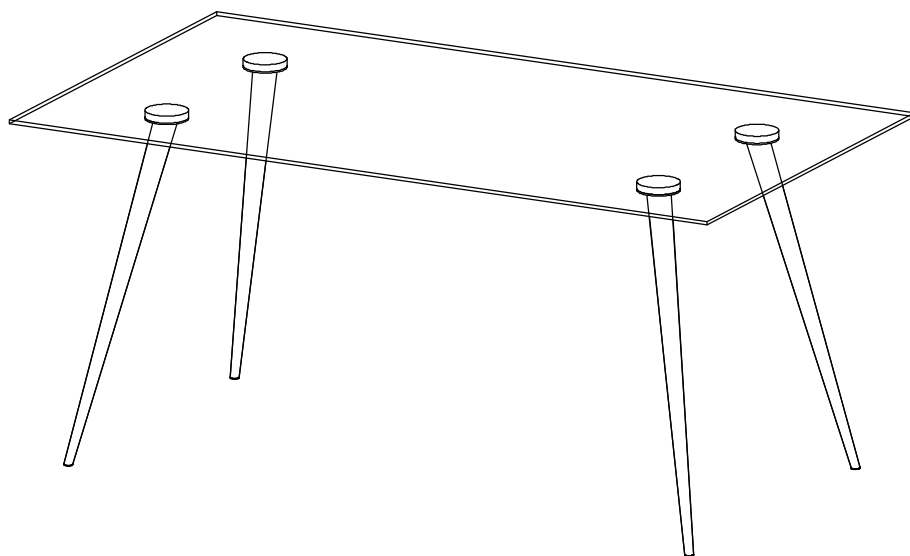


# *ASSEMBLY INSTRUCTIONS*



*DINING TABLE*

# ASSEMBLY INSTRUCTIONS

## ASSEMBLY TIPS:

1. Remove hardware from box and sort by size.
2. Please check to see that all hardware and parts are present prior to start of assembly.
3. Please follow attached instructions in the same sequence as numbered to assure fast & easy assembly.



## WARNING!

1. Don't attempt to repair or modify parts that are broken or defective. Please contact the store immediately.
2. This product is for home use only and not intended for commercial establishments.

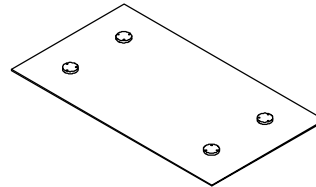


ASSEMBLY TIME 35 MINUTES

## PARTS IDENTIFICATION

B1 : DINING TABLE TOP

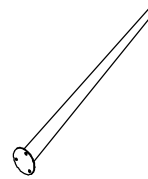
A TOP GLASS



1PC

B2 : DINING TABLE BASE

B LEG



4PCS

## HARDWARE IDENTIFICATION

1 BOLT  
(1/4" x 12mm SR)



12PCS

2 CAP



4PCS

3 ALLEN WRENCH  
(4mm)

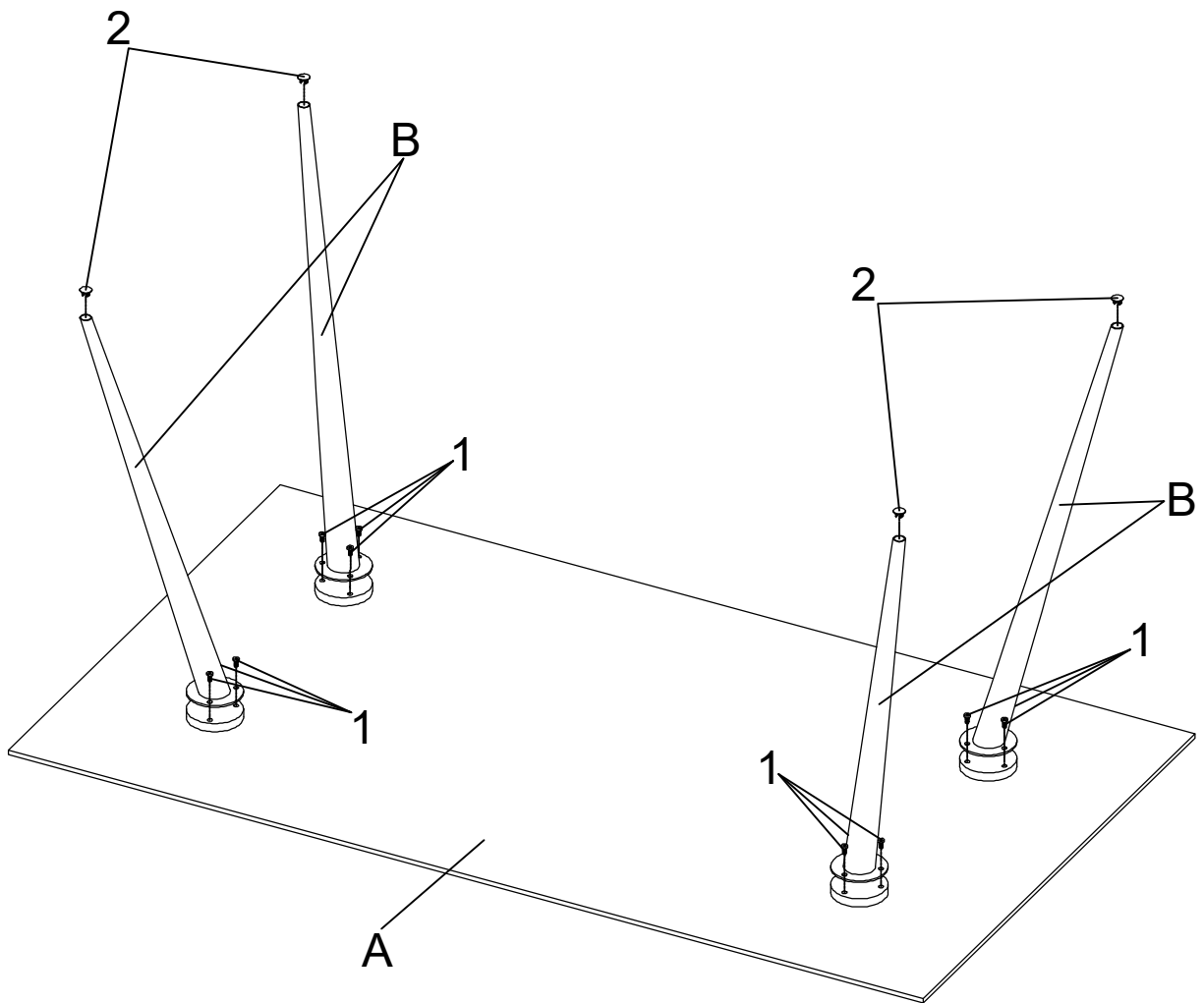


1PC

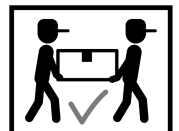
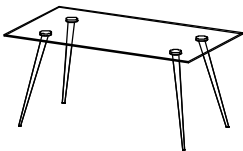
Hardware pack is located in 190621CHRB2

# ASSEMBLY INSTRUCTIONS

**STEP 1** Do not tighten until each step is completed or instructed.



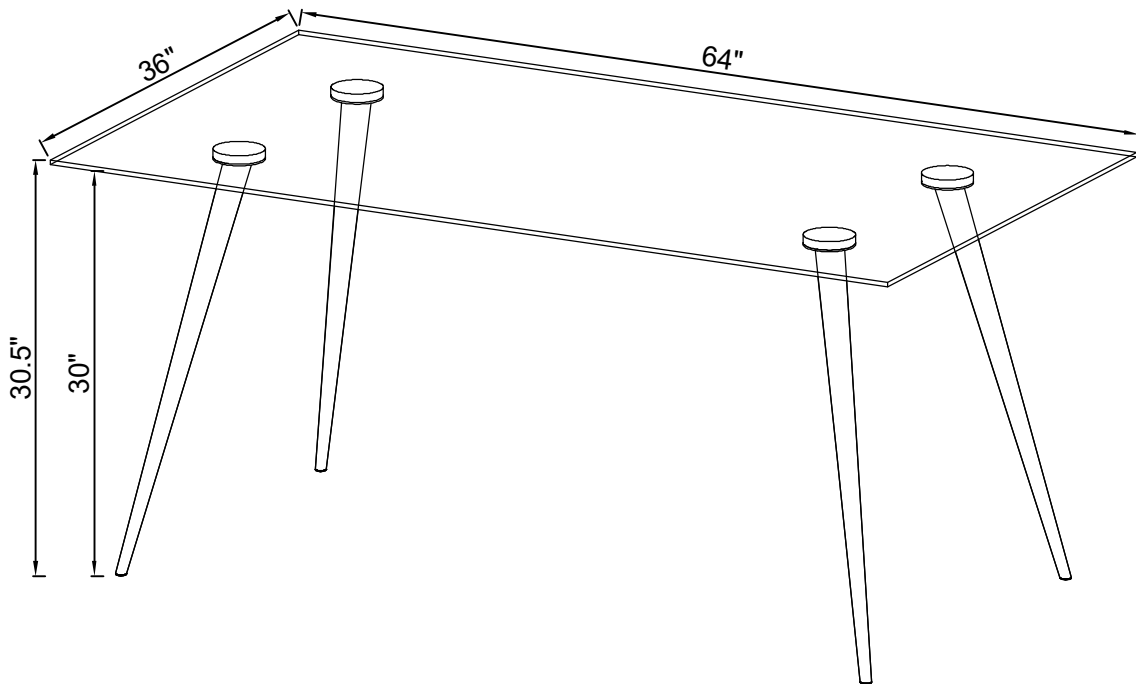
COMPLETE



# ASSEMBLY INSTRUCTIONS

**Product Size : 1626 X 914 X 775 H (MM)**

**Product Size : 64" X 36" X 30.5"**



Note : Dimension tolerance  $\pm 5\%$