

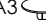










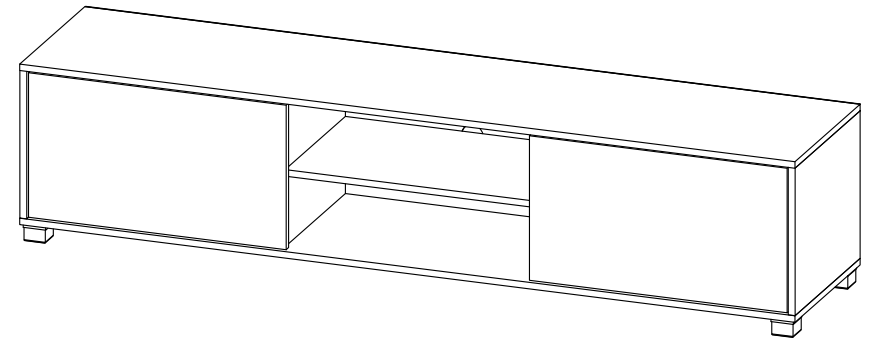
ASSEMBLY INSTRUCTIONS

Before you begin, please follow assembly instructions carefully, then follow them step by step.

Read instruction carefully . See Furniture Parts list and Hardware List for guidance . Be sure you have all parts before you start assembling . Place and assemble furniture on a clean flat soft surface , such as carpet or rug to prevent being scratched .

| PART LIST | | QTY |
|-----------|------------------|-------|
| 1 | TOP PANEL | 1 PC |
| 2 | BOTTOM PANEL | 1 PC |
| 3 | SIDE PANEL (L) | 1 PC |
| 4 | SIDE PANEL (R) | 1 PC |
| 5 | CENTER PANEL (L) | 1 PC |
| 6 | CENTER PANEL (R) | 1 PC |
| 7 | SHELF PANEL | 1 PC |
| 8 | BACK PANEL | 1 PC |
| 9 | DOOR PANEL (L/R) | 2 PCS |

| HARDWARE | | | |
|----------|------------------------------|---|--------|
| A | MINI FIX | A1  A2  A3  | 8 SETS |
| B | M8 X 30MM WOOD DOWEL |  | 16 PCS |
| C | M6 X 50MM CSK CAP WOOD SCREW |  | 8 PCS |
| D | ALLEN KEY M4 |  | 1 PC |
| E | M3.5 X 16MM C.B SCREW |  | 36 PCS |
| F | 5/8 NAIL |  | 28 PCS |
| G | METAL SHELF SUPPORT |  | 4 PCS |
| H | 7/8 HINGES |  | 4 PCS |
| I | PVC SQUARE LEG 5038 |  | 5 PCS |



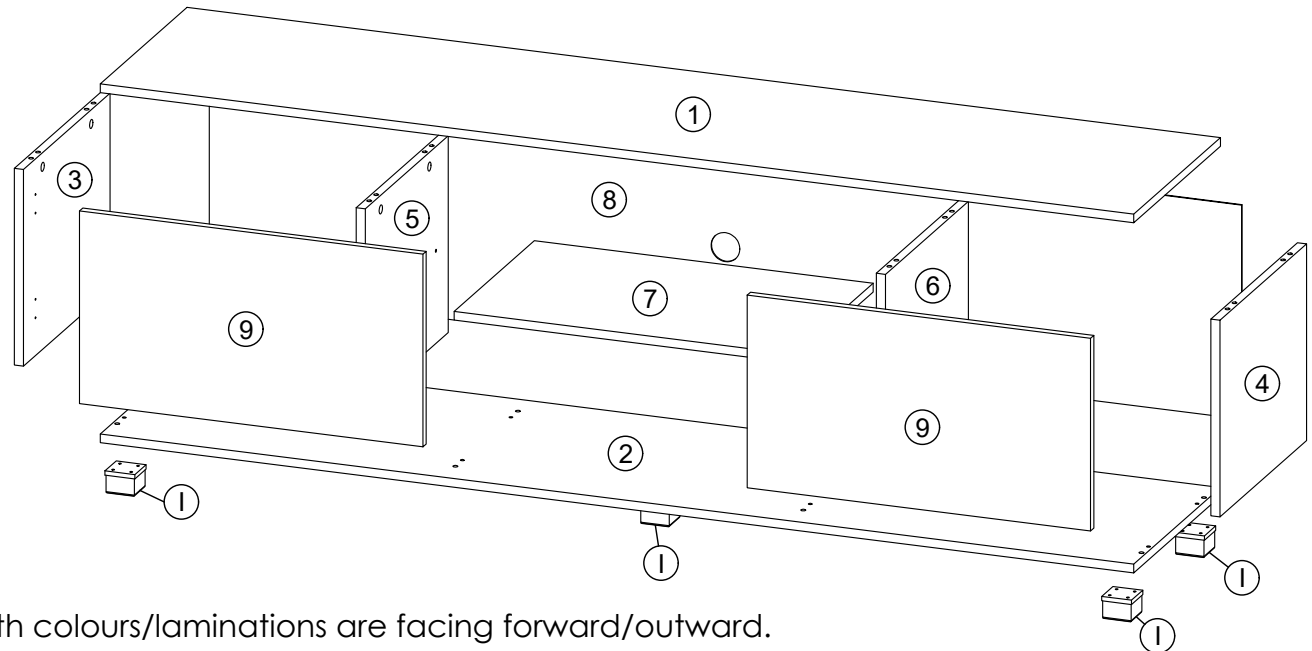
SELF-PREPARED TOOLS: Tools below are NOT included in package.



SCREWDRIVER



HAMMER



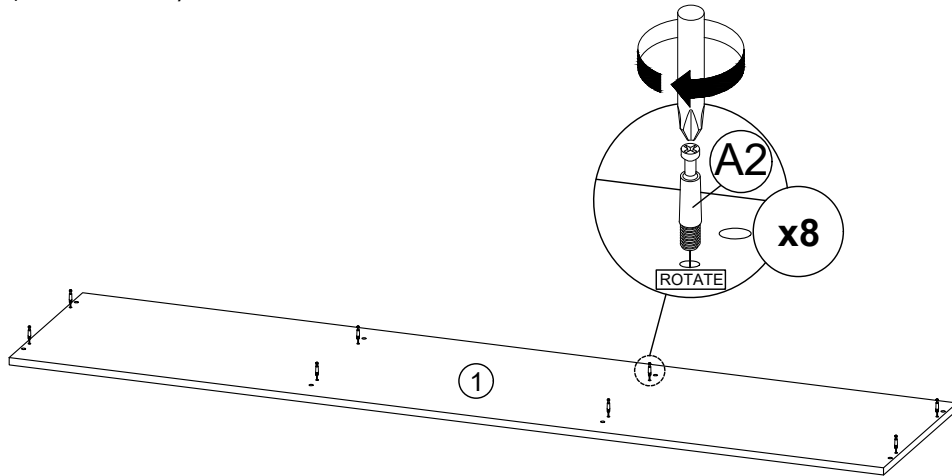
Reminder:

Please ensure that all surfaces and edges with colours/laminations are facing forward/outward.

ASSEMBLY INSTRUCTIONS

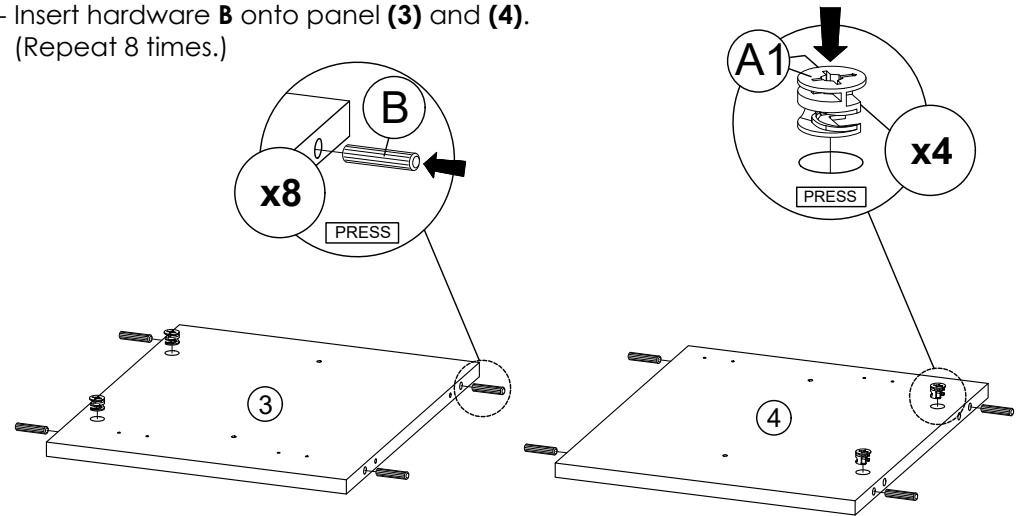
STEP 1

Insert hardware **A2** onto panel **(1)**.
(Repeat 8 times.)



STEP 2

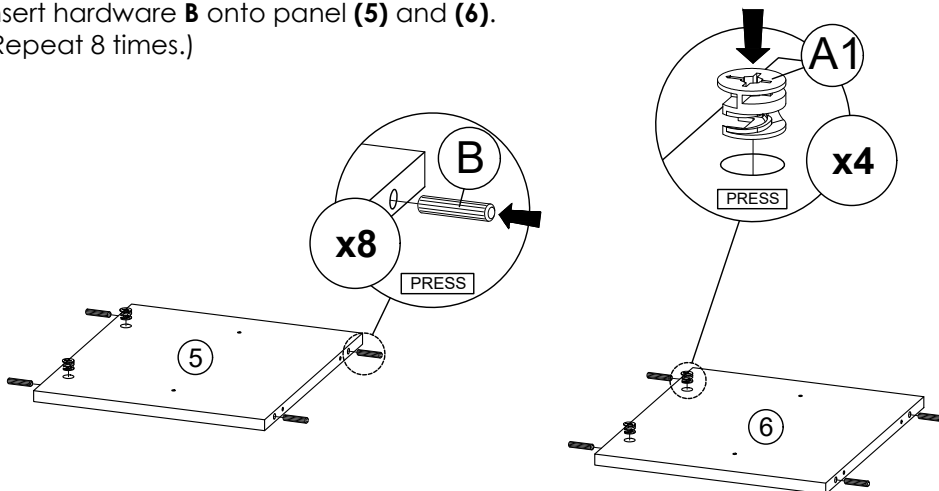
- Insert hardware **A1** onto panel **(3)** and **(4)**.
(Repeat 4 times.)
- Insert hardware **B** onto panel **(3)** and **(4)**.
(Repeat 8 times.)



* Ensure the arrows on hardware **A1** point towards mounting positions.

STEP 3

- Insert hardware **A1** onto panel **(5)** and **(6)**.
(Repeat 4 times.)
- Insert hardware **B** onto panel **(5)** and **(6)**.
(Repeat 8 times.)



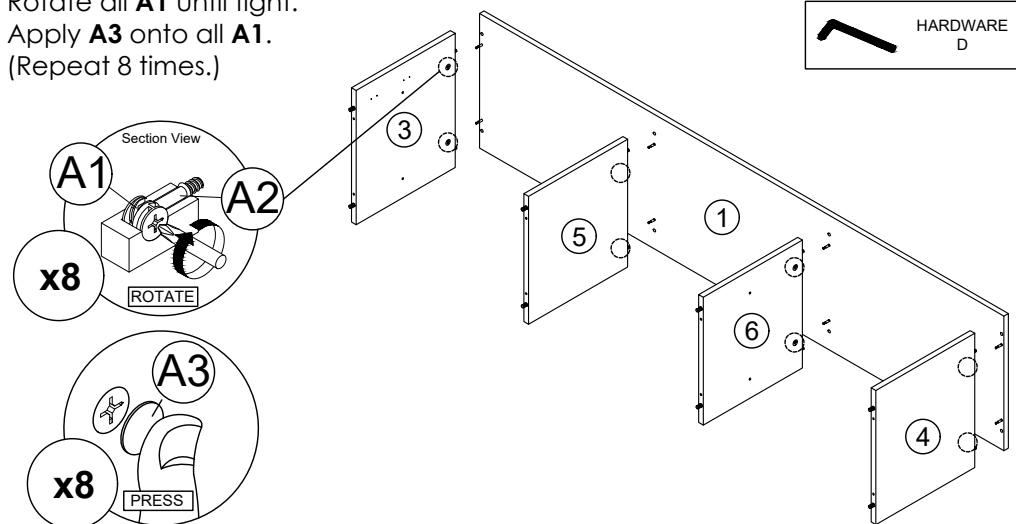
* Ensure the arrows on hardware **A1** point towards mounting positions.

STEP 4

- Attach panel **(3)**, **(4)**, **(5)** and **(6)** to panel **(1)**.
- Insert all hardware **A2** into **A1**.
- Rotate all **A1** until tight.
- Apply **A3** onto all **A1**.
(Repeat 8 times.)



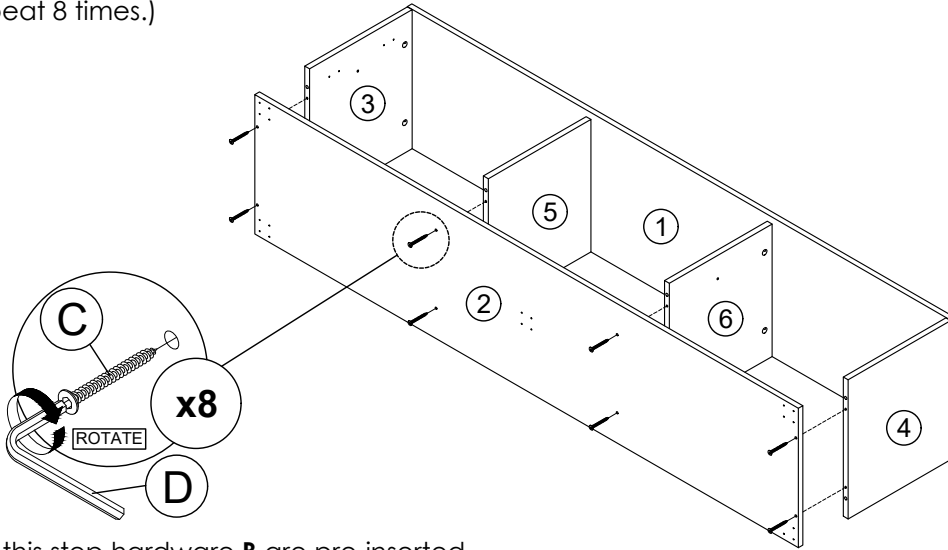
OR



ASSEMBLY INSTRUCTIONS

STEP 5

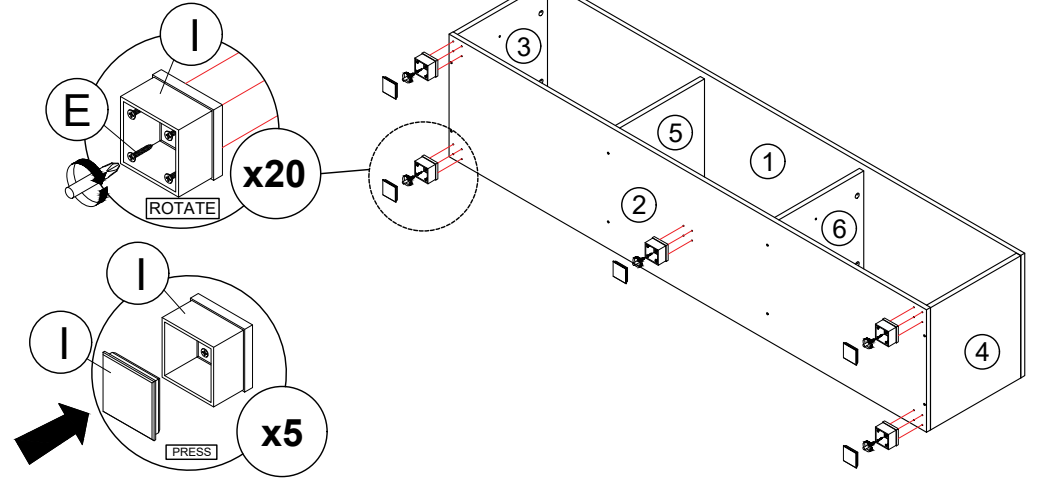
Connect panel **(2)** to panel **(3)**, **(4)**, **(5)** and **(6)** by using hardware **C** and **D**.
(Repeat 8 times.)



* In this step hardware **B** are pre-inserted.

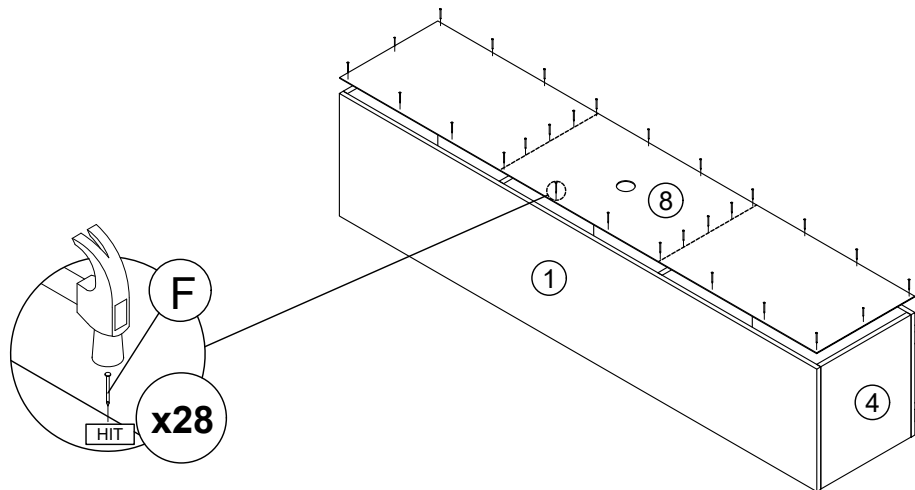
STEP 6

- Fix hardware **I** into panel **(2)** with hardware **E**.
(Repeat 4 times for each hardware.)
- Cover back the hardware **I**.
(Repeat 5 Times)



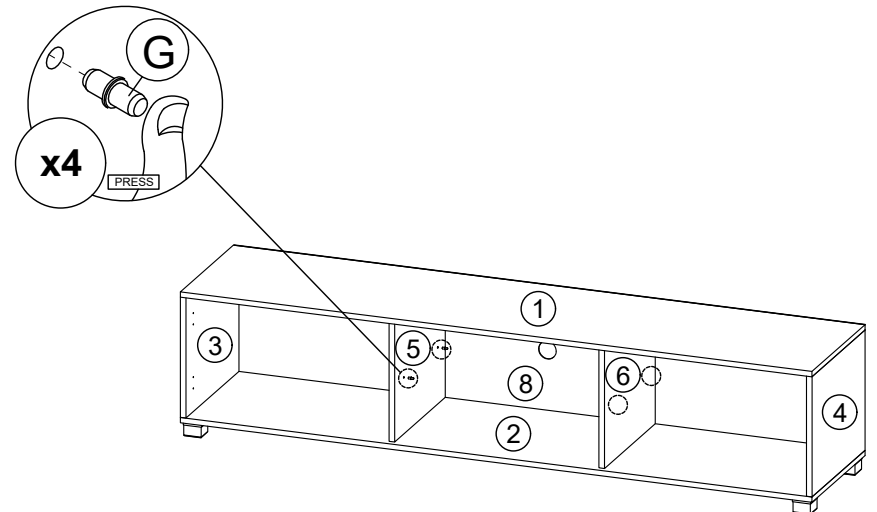
STEP 7

Assemble panel **(8)** to entire body with hardware **F**.
(Repeat 28 times.)



STEP 8

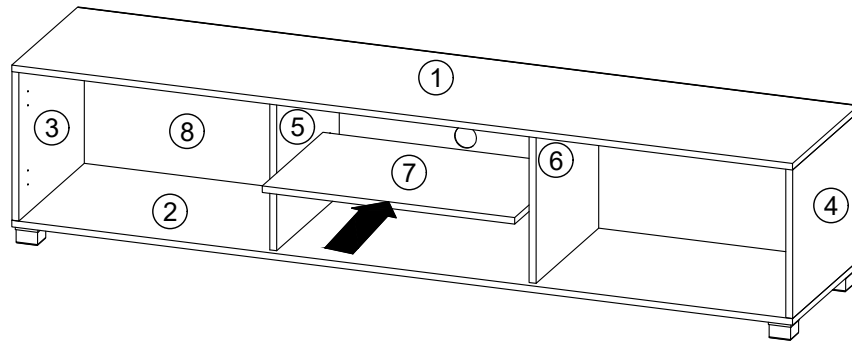
Insert hardware **G** into mounting positions on panel **(5)** and **(6)** by hand.
(Repeat 4 times.)



ASSEMBLY INSTRUCTIONS

STEP 9

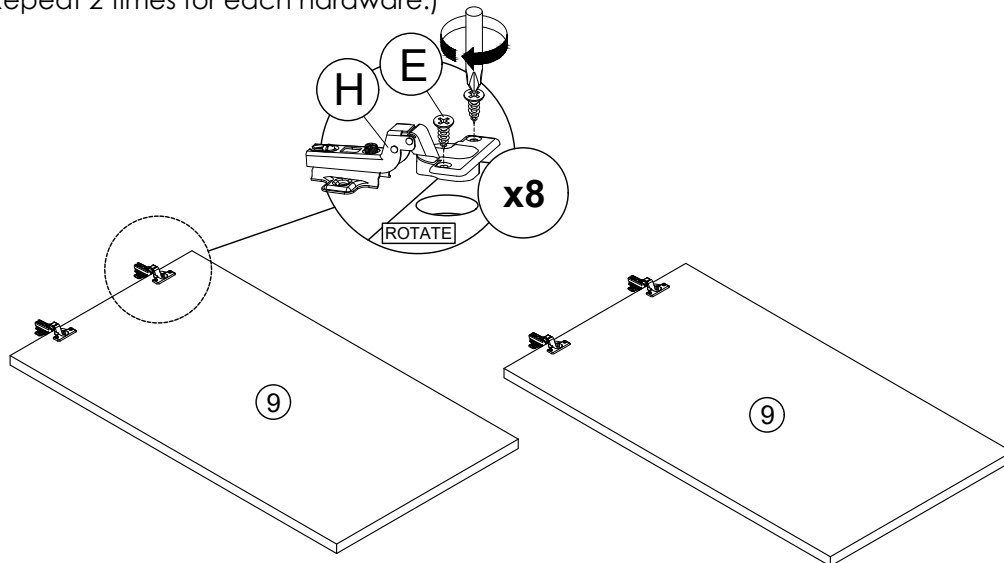
Assemble the panel (7) into between panel (5) and (6).
(Repeat 1 times.)



* In this step hardware **G** are pre-inserted.

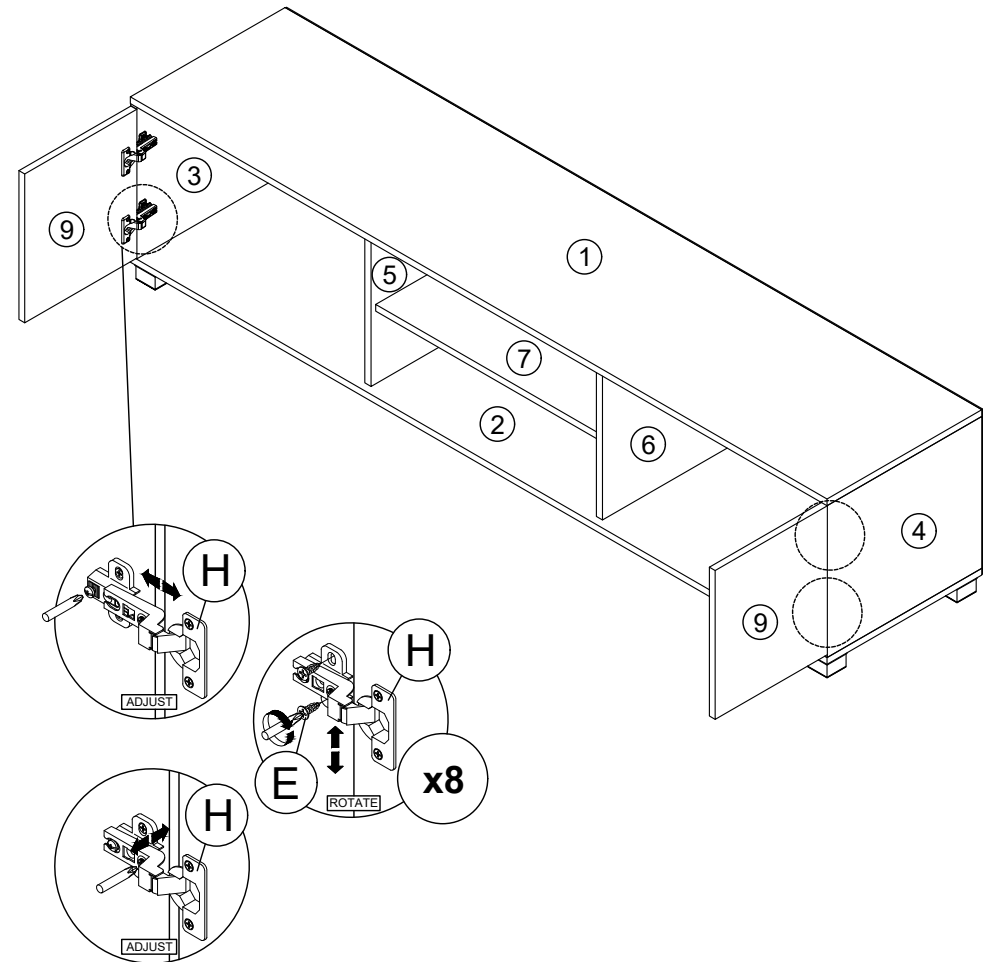
STEP 10

Fix hardware **H** onto panel (9) by using hardware **E**.
(Repeat 2 times for each hardware.)



STEP 11

- Fix hardware **H** into panel (3) and (4) by using hardware **E**.
(Repeat 2 times for each hardware.)
- Tighten or loosen the screw to adjust position of panel (9).
(Do only when needed.)



* In this step hardware **H** have been assembled in panel (9).