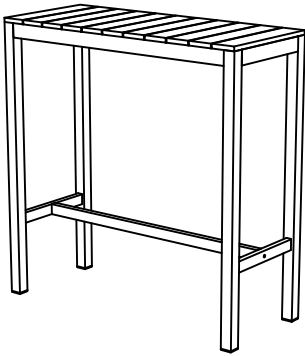
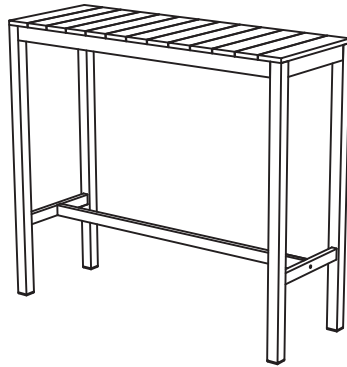


USER'S MANUAL

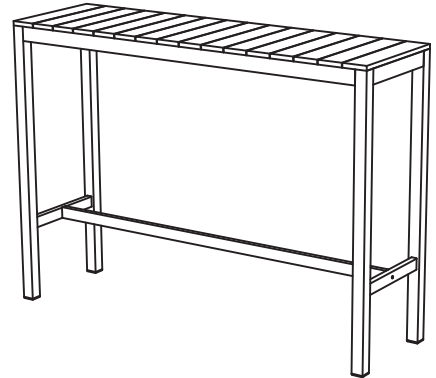
FRY SERIES PATIO BAR TABLE



38" PATIO BAR TABLE



45" PATIO BAR TABLE



55" PATIO BAR TABLE

Guide of Manual

- Thanks for your choice. **We will do our best to provide customer service for everyone.**
- Please check to make sure all parts are included as stated when you unpack. If there are parts missing or wrong, please contact us, **we will expeditiously provide reissue accessories, compensation or other services.**
- Instruction should be read carefully. But the manual may not cover every detail of all possible situations and steps. **Please contact us if further information and help are needed. We will respond in a timely manner.**
- **Please be patient that the other items are on the way if you buy more than one product.**

Warning

- It's kindly advised to assemble this product on a carpeted floor to protect it from being scratched.
- Small parts are included. Please keep the product away from children while assembling. Do not let children play or jump on the product. Do not stand on the item or use as a step ladder.
- Please pay attention to the sharp corners during assembly. We recommend the use of gloves to prevent the undesired injury.
- Prior to use, please check to see if there's any loosening screw or part. Make sure that each screw and part is correctly installed and securely fastened.
- It's unnecessary to use electric drill. Please at a low gear if you need.

Care and Maintenance

- Use a soft, clean cloth that will not scratch the surface when dusting.
- If you run into scratches problems, we suggest you erase the scratches by knife.
- This item could be cleaned with soap and water. Be sure to avoid harsh solvents and abrasives.
- Periodically (every 90 days) make sure the screws are fully tightened.

Resists pest & rough weather

- These all-weather items can be stored outdoors year-round. Perfect for people who lives in a wet climate or lives on the coast where humidity and moisture will be an issue all year.

Material

- 100% HDPS + ALUMINUM

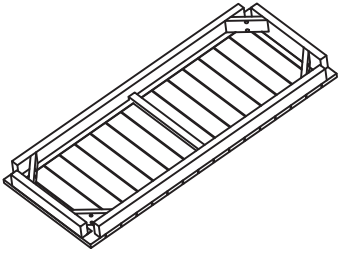
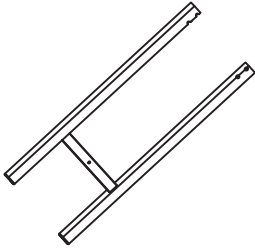
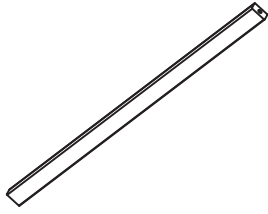
Max Weight capacity

- 220lbs [Do not stand on the item]

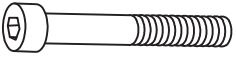


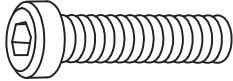



Parts and Hardware List:

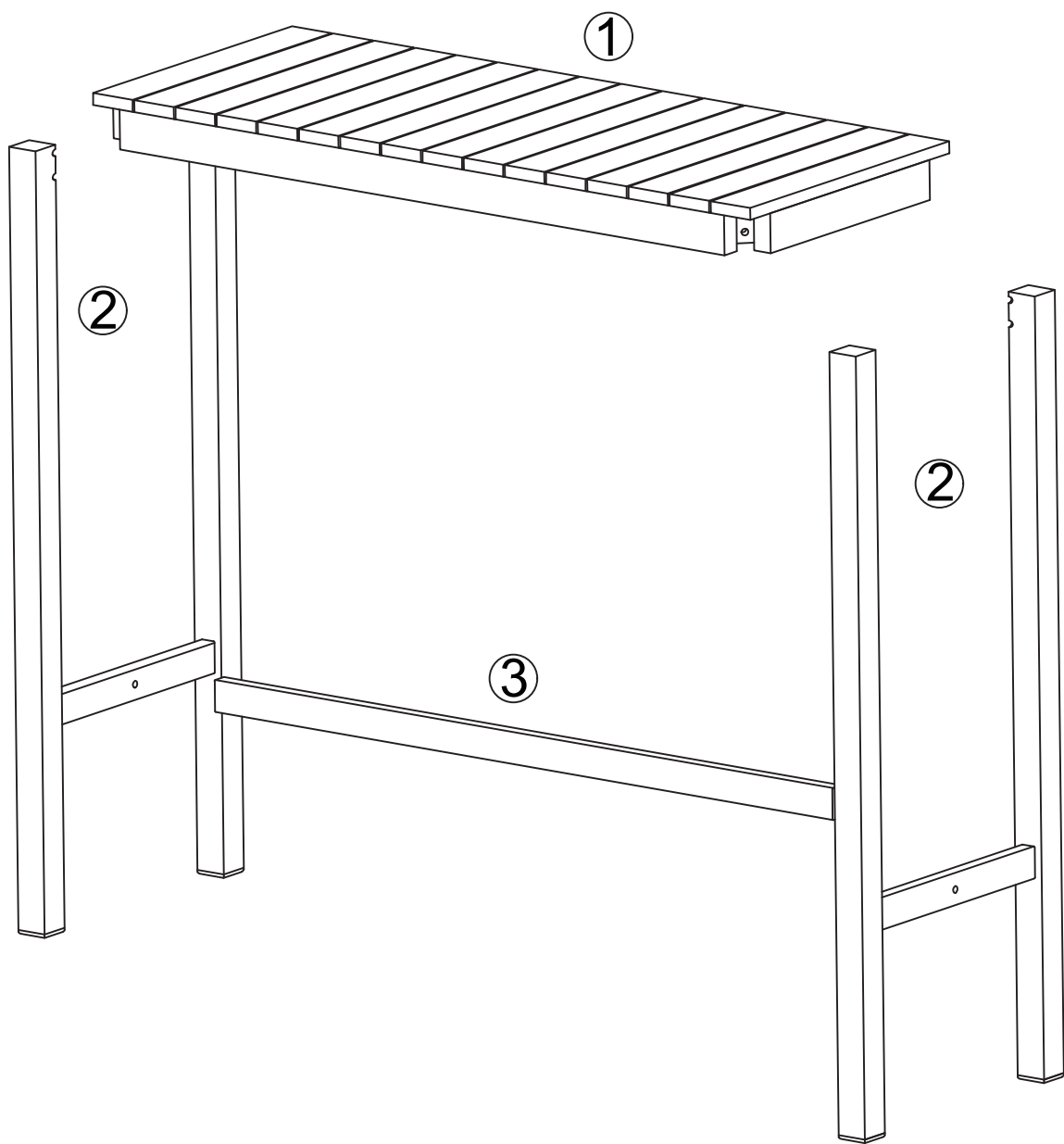
- Make sure all parts and hardware are in the package.
- Do not fully tighten anything until all screws, nuts, washers and bolts are in place.
- "+" in below list indicates that additional pieces are replacement parts.

Parts List

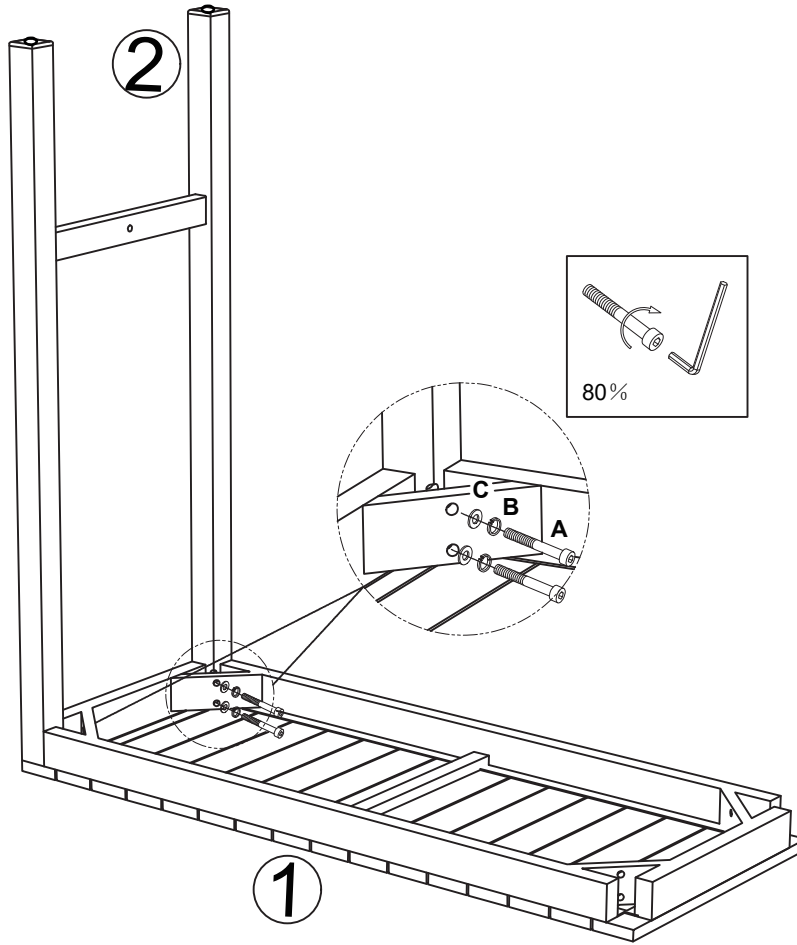
<p>① x1pc Desktop</p> 	<p>② x2pcs Table leg</p> 	<p>③ x1pc Support bar</p> 	
--	--	--	--

Hardware List

<p>Ⓐ x8+1PCS M6*65</p> 	<p>Ⓑ x 8+1PCS M6</p> 	<p>Ⓒ x 8+1PCS M6</p> 	<p>Ⓓ x2pcs M8*40</p> 
<p>Ⓔ x2pcs M8</p> 	<p>Ⓕ x2pcs M8</p> 	<p>Ⓖ x1pc</p> 	

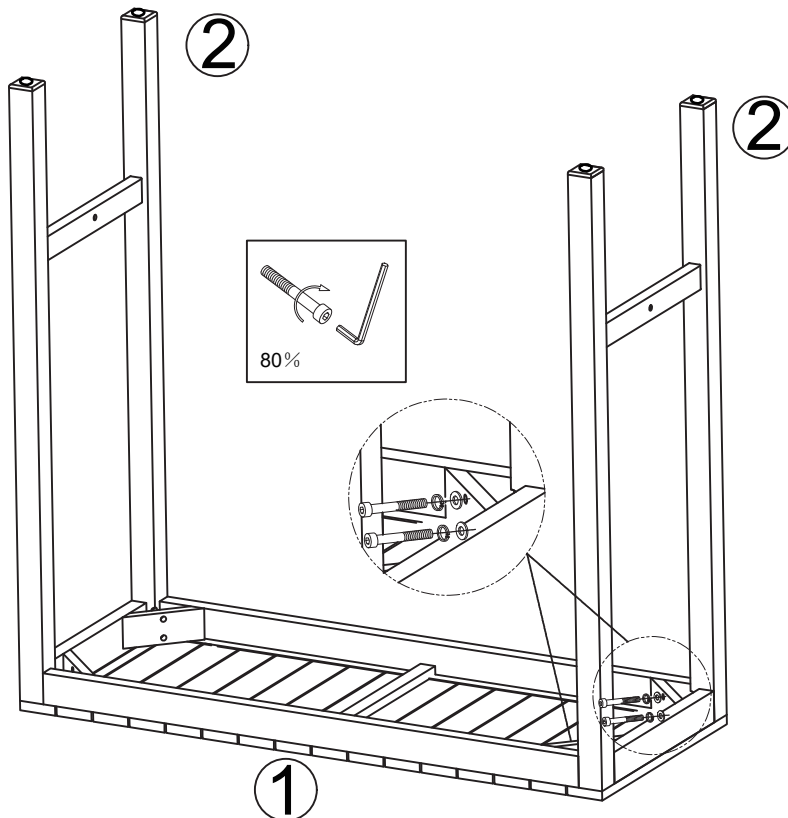


1







A		X4
B		X4
C		X4
G		X1

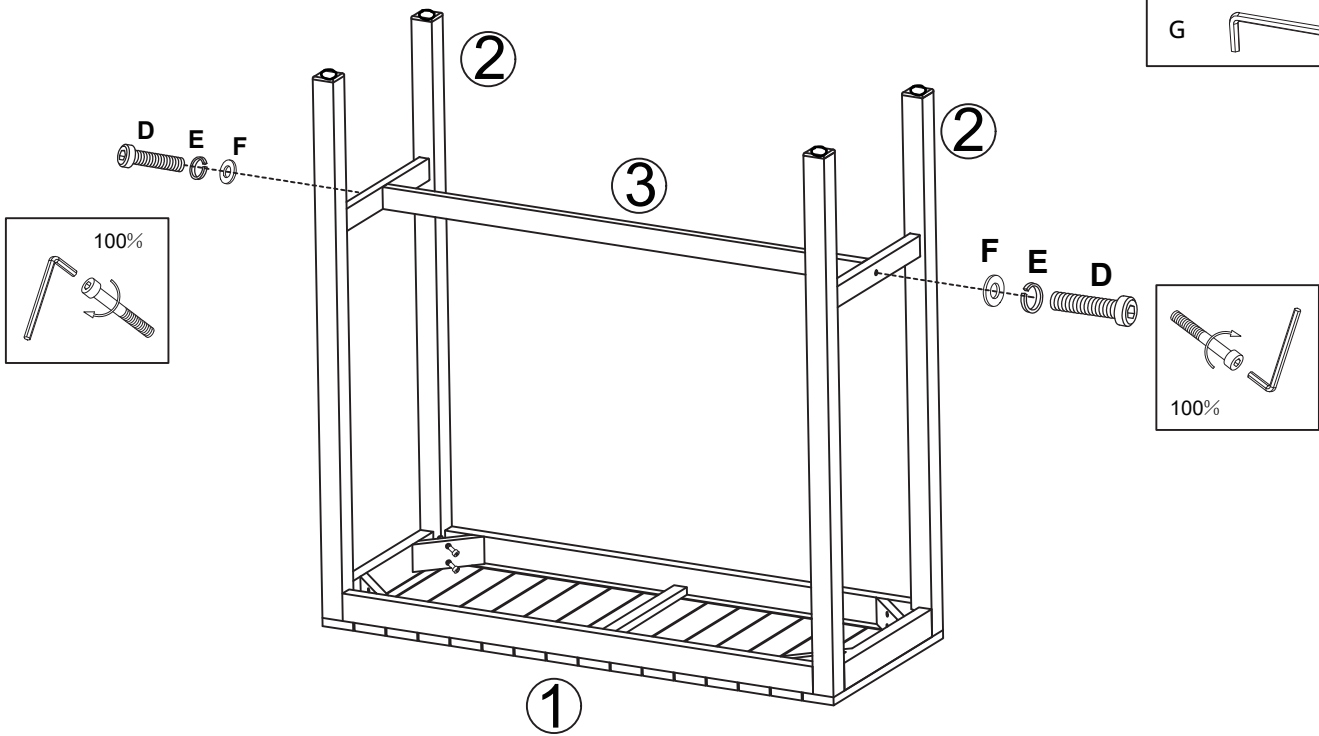
2



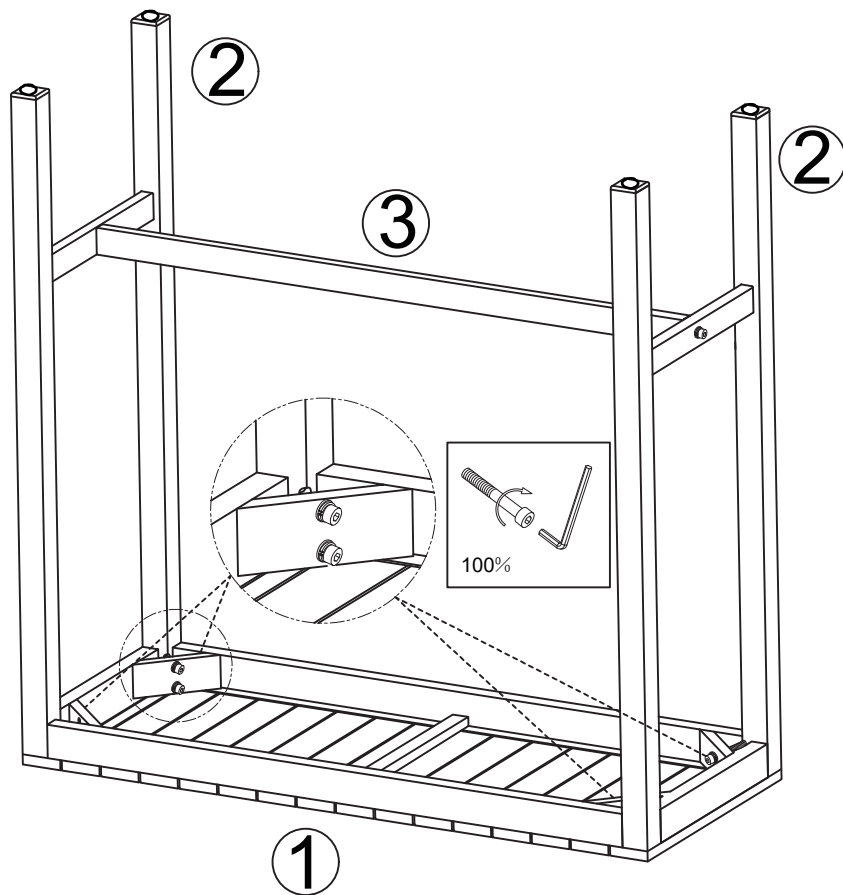
A		X4
B		X4
C		X4
G		X1

3 Please install the Support Bar ③ vertically.

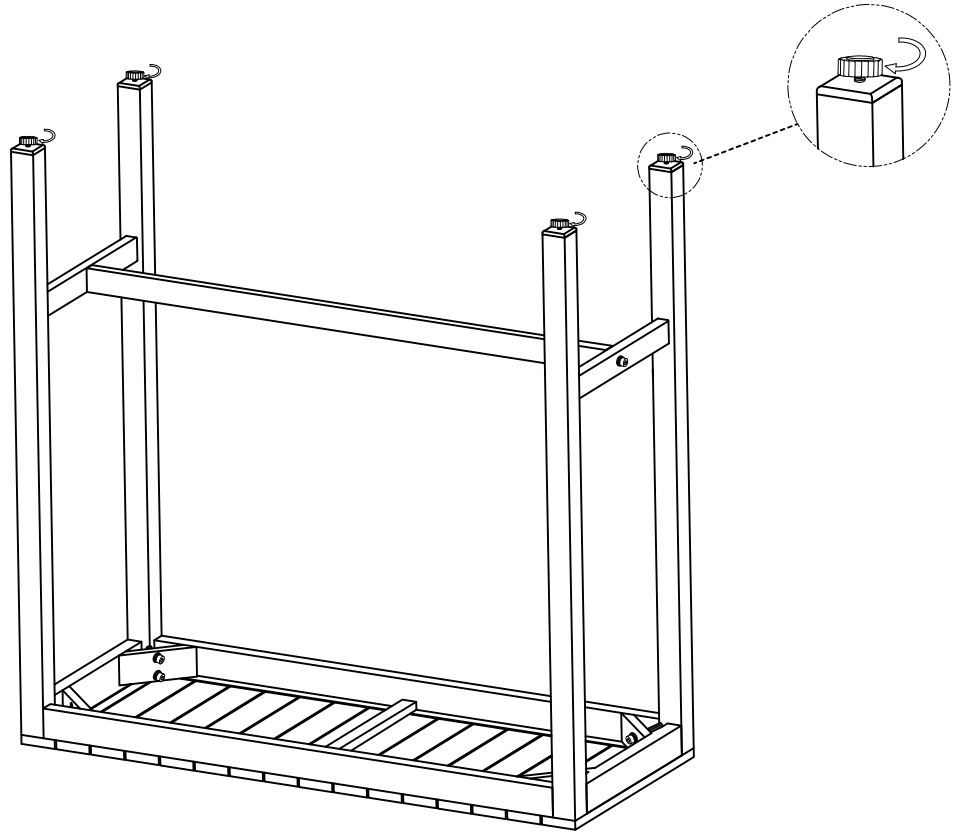
D		x2
E		x2
F		x2
G		x1



4



5 Adjust the leveling feet for balance



FINISHED

