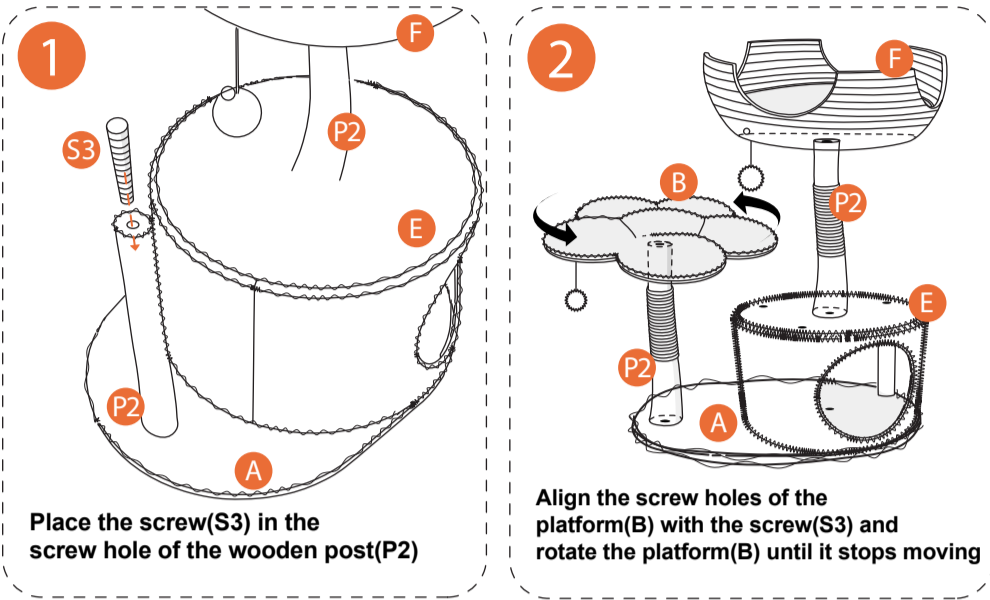


5

140mm

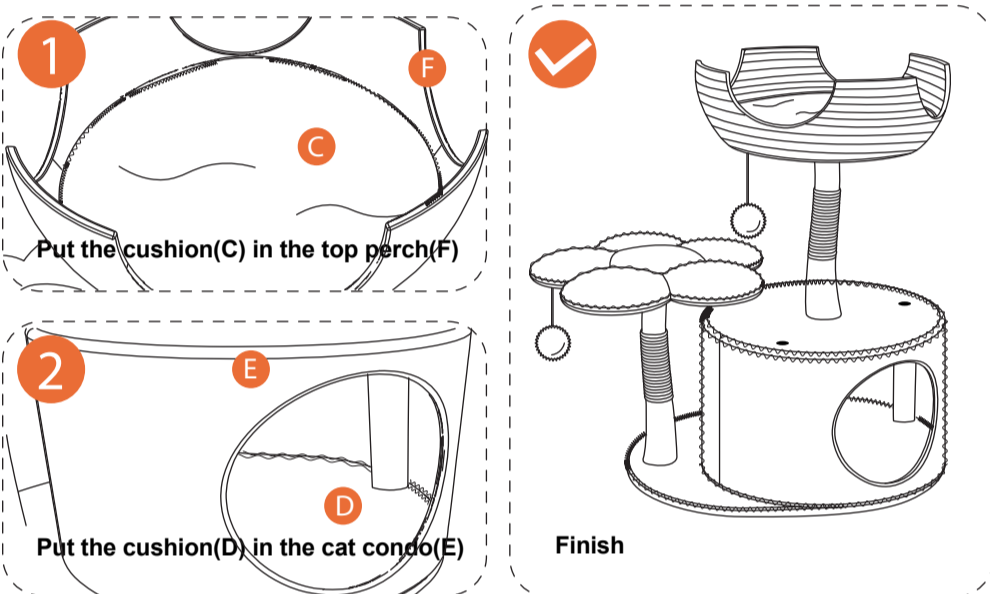
Installation Step 6

Install the flower shaped platform



Installation Step 7

Place the cushions



6

140mm

NOTE

🌿 Wooden posts are natural branches, and there will be differences in curvature and appearance.

🌿 Keep away from heat sources, humidity, and corrosive chemicals, and avoid direct sunlight. If not, it may cause the damage and shorten the lifespan of the product.

🌿 This product is for cats only. Do not stand or climb to avoid the risk of injuries. Keep away from children. Be aware of danger!

A BIG THANK YOU

We're thrilled that you have chosen to purchase the Cat Tree Tower. We're committed to providing you with products that assist you and your pets harmonious life. We also aim to give our customer excellent support. Should you have any questions or feedback about your new product, simply get in touch with our customer support team by email.

B

140mm



Let Your Beloved Cats Enjoy Their Own Luxury Paradise!

A

140mm

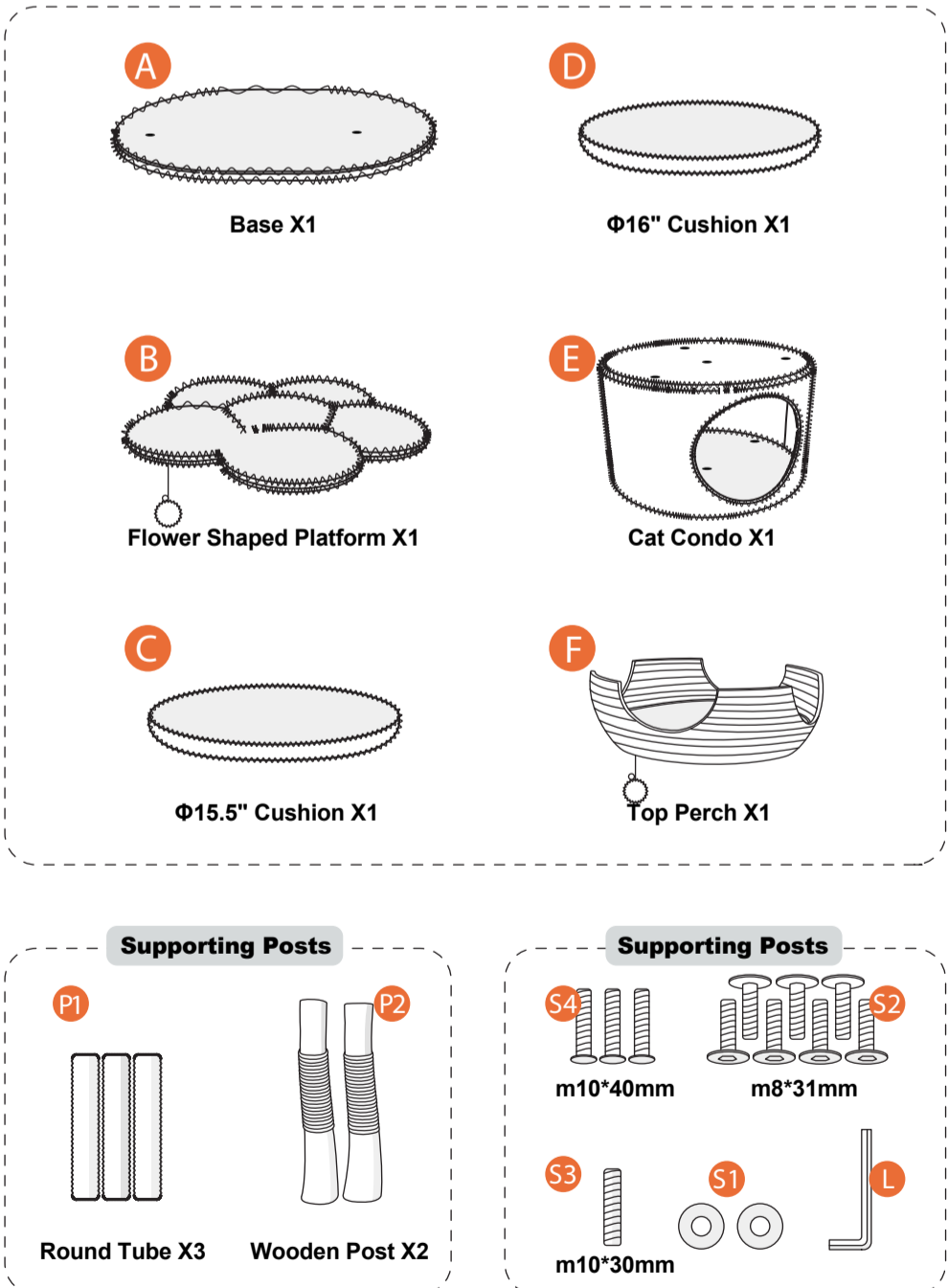
Owner's Manual

cat tree tower

210mm

Product Catalog

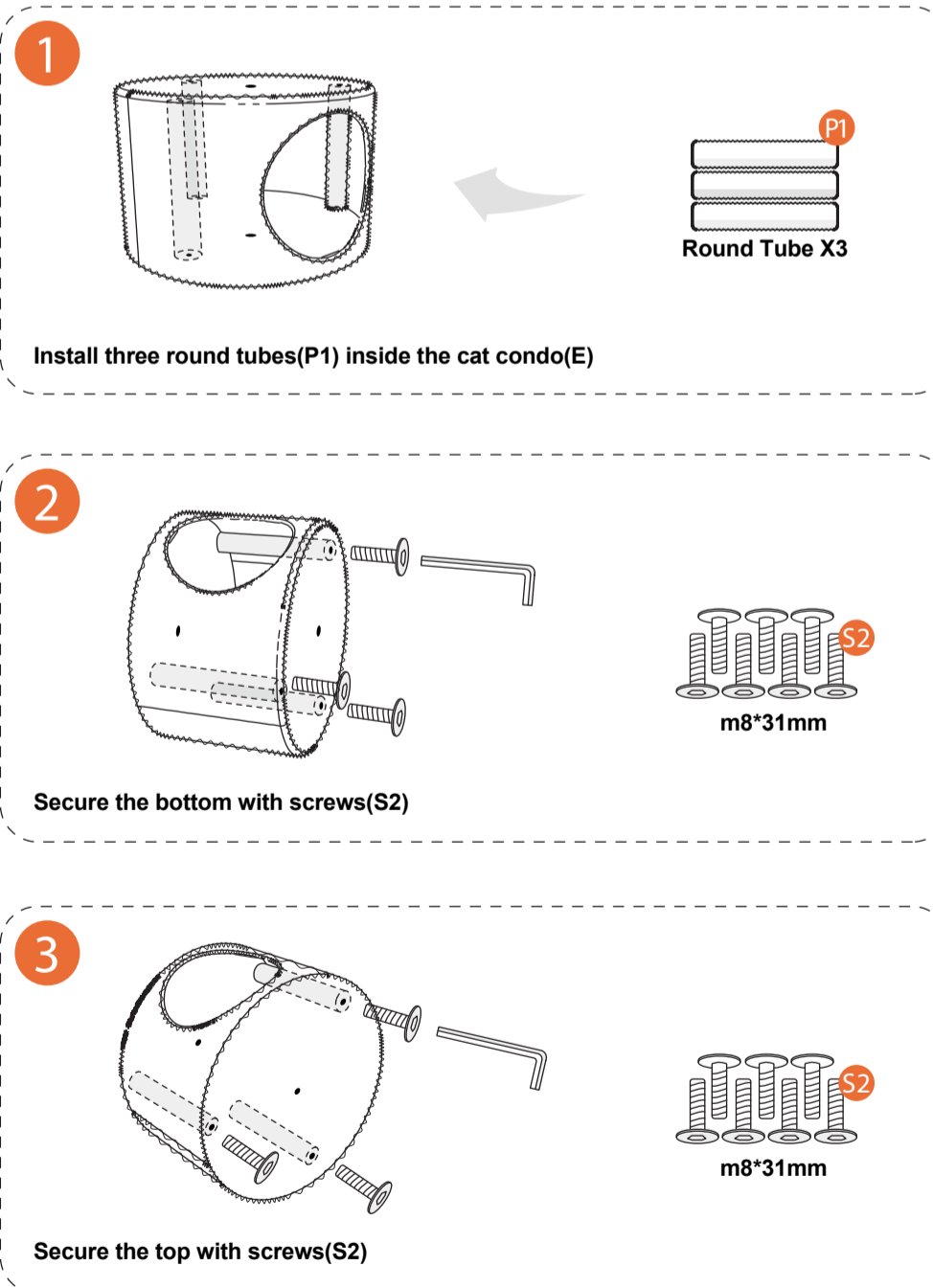
Please open the package and check the product accessories before installation.



1

Installation Step 1

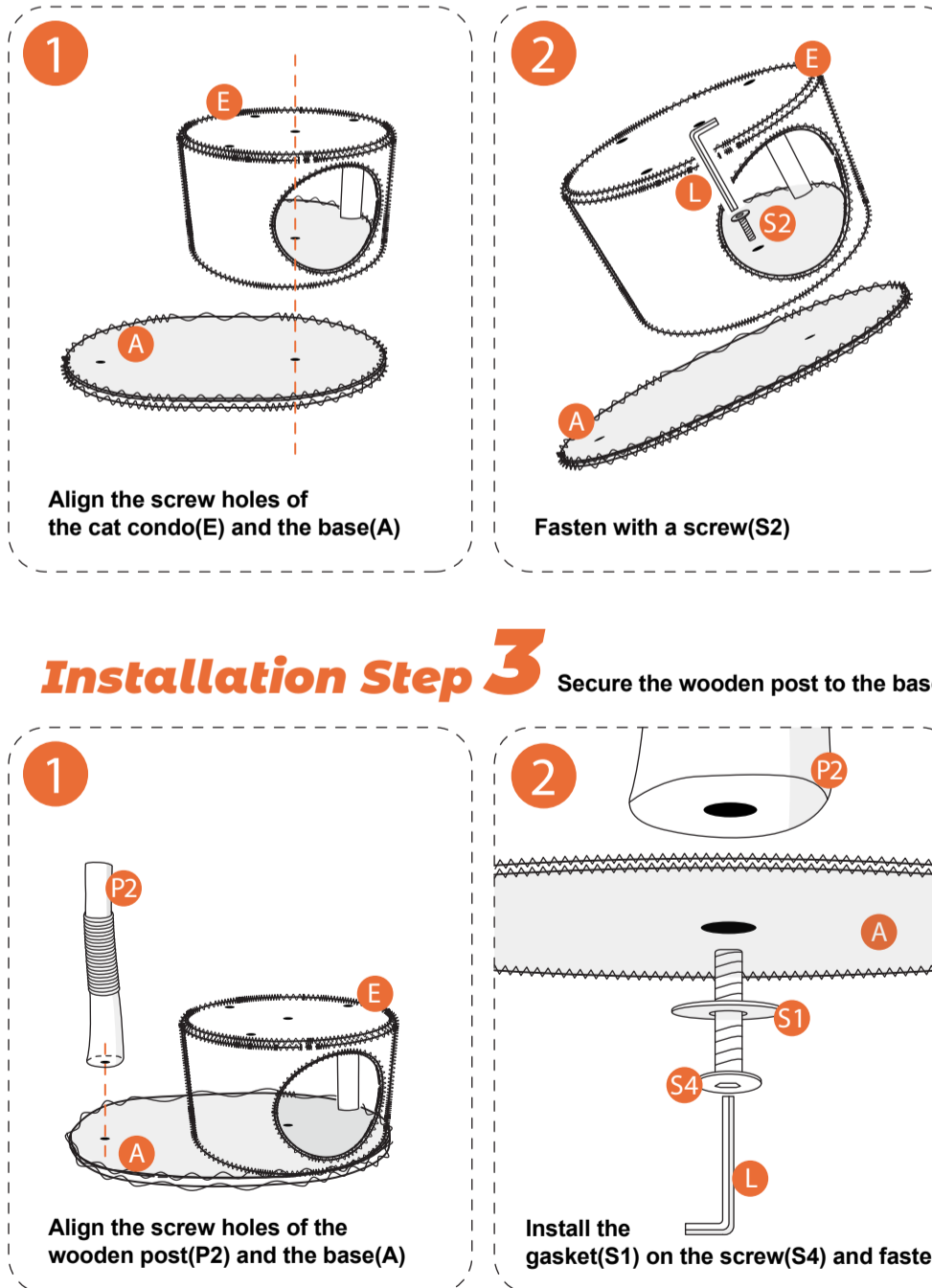
Install the cat condo



2

Installation Step 2

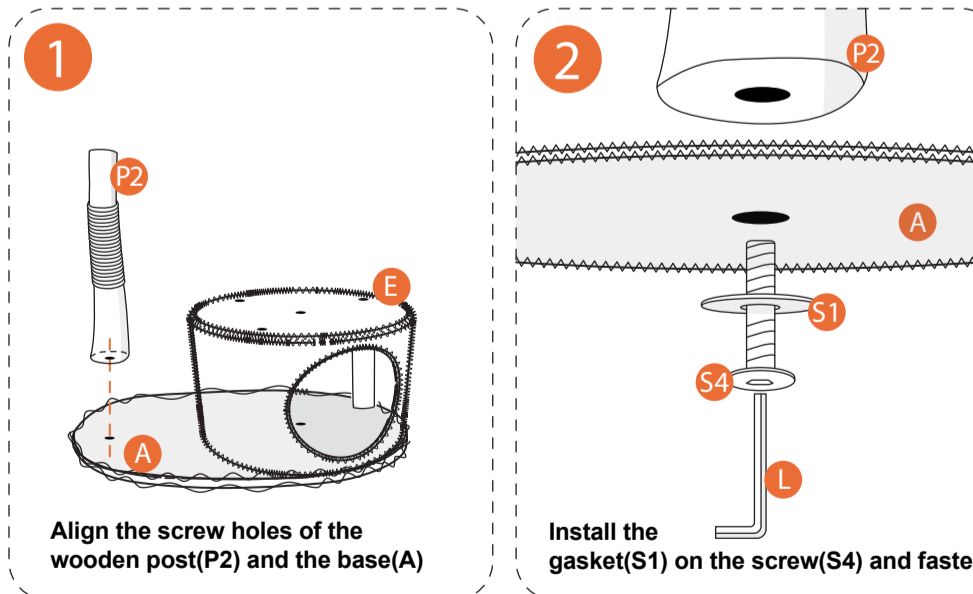
Attach the cat condo to the base



3

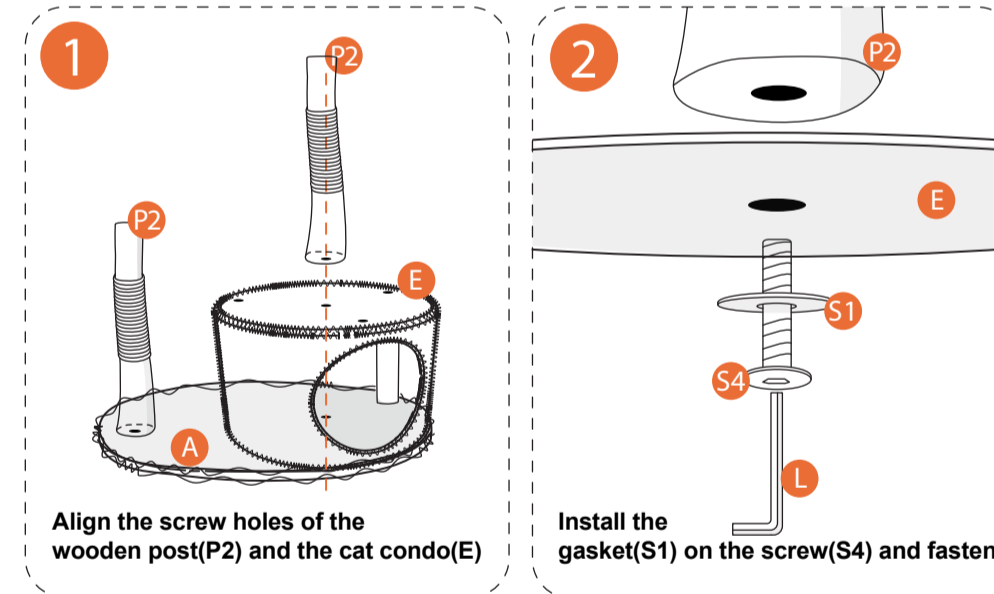
Installation Step 3

Secure the wooden post to the base



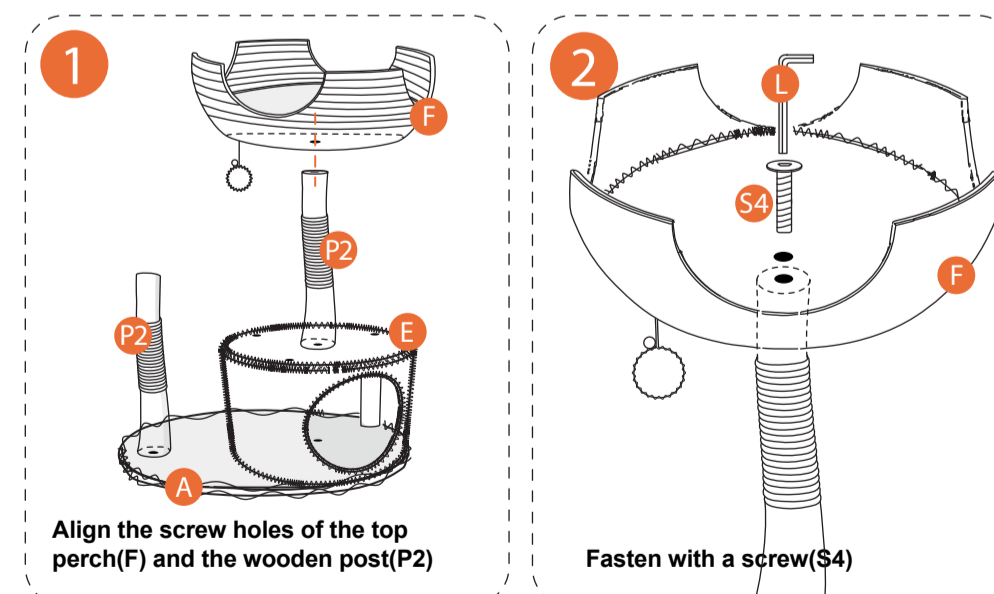
Installation Step 4

Secure the wooden post to the cat condo



Installation Step 5

Install the top perch



4