

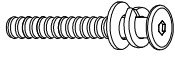
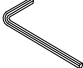


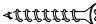

ASSEMBLY INSTRUCTIONS

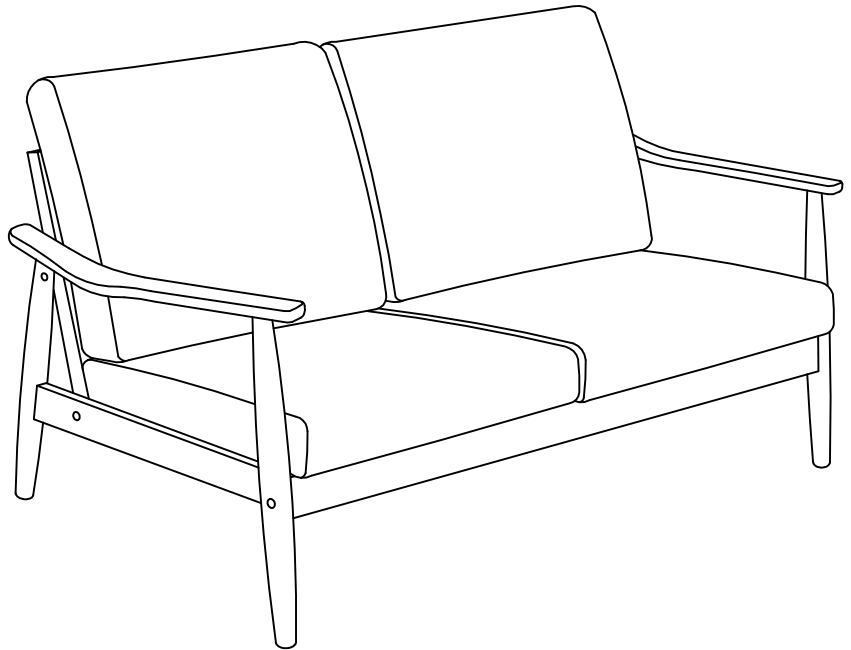
SOFA - 2 SEATER

IMPORTANT NOTE :

- * PLACE ALL WOODEN PARTS ON A CLEAN AND SMOOTH SURFACE SUCH AS A RUG OR CARPET TO AVOID THE PARTS FROM BEING SCRATCHED.
- * BEFORE YOU BEGIN, KINDLY FOLLOW THE ASSEMBLY INSTRUCTIONS STEP BY STEP.

HARDWARE LIST

A	JCBC M6 x 50mm + S/W M6 + F/W M6 x 13mm		6PCS
B	ALLEN KEY M4		1PC
C	BARREL NUT M6 x 13mm		4PCS
D	WOOD BUTTON Ø 14.5		6PCS
E	FH SCREW #8 X 32mm		8PCS
F	WOOD DOWEL M10 x 40mm		4PCS

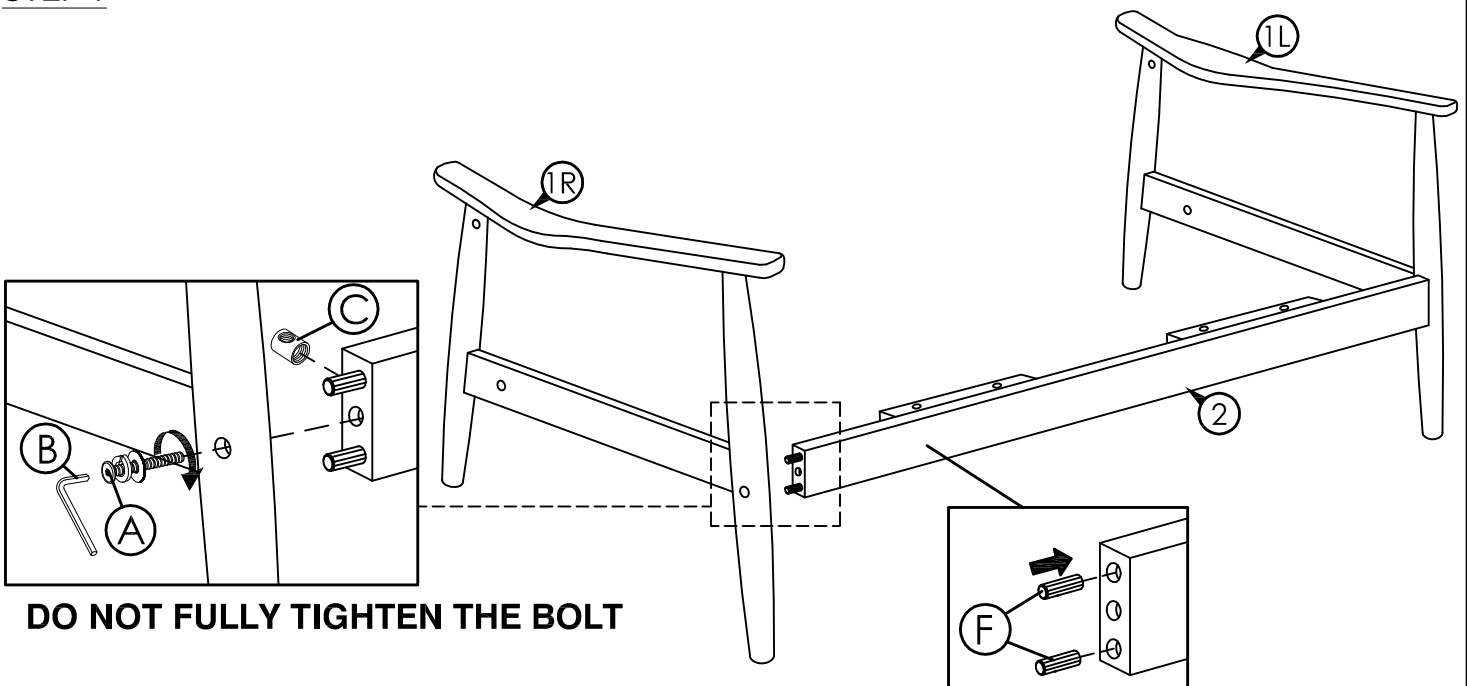


COMPLETED SOFA ASSEMBLY.

PART LIST

1	SOFA LEG (L/R)	2PCS
2	FRONT RAIL	1PC
3	BACK FRAME	1PC
4	SEAT FRAME	1PC
5	SOFA BACK REST	2PCS
6	SOFA SEAT REST	2PCS

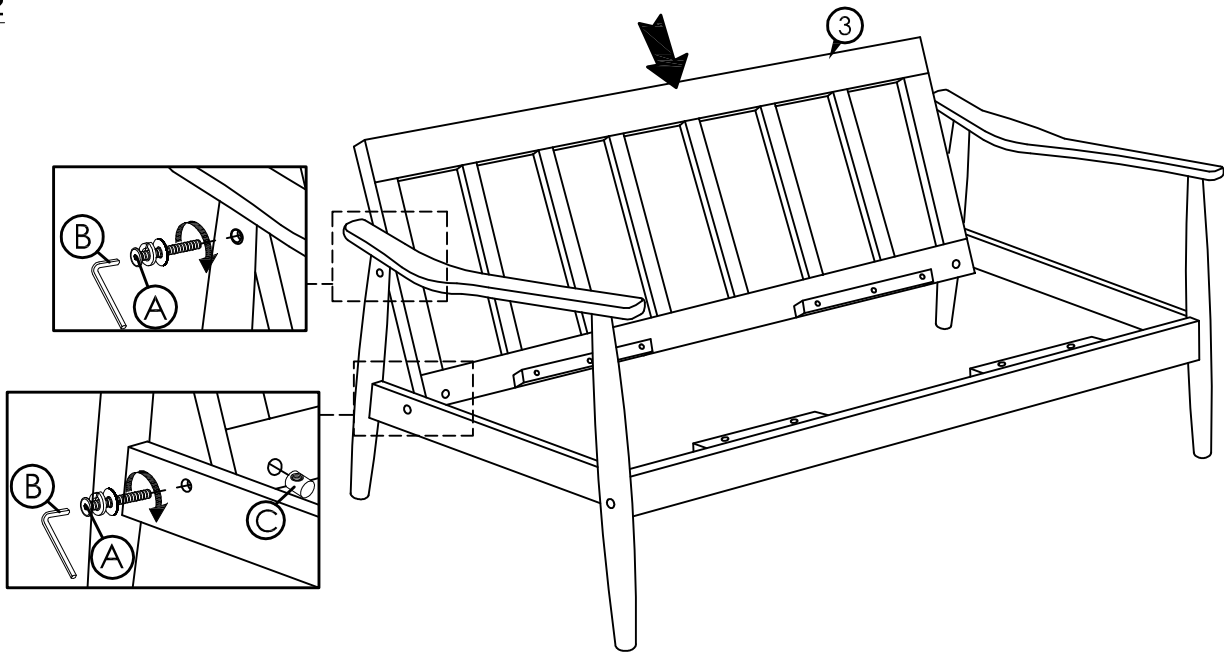
STEP 1



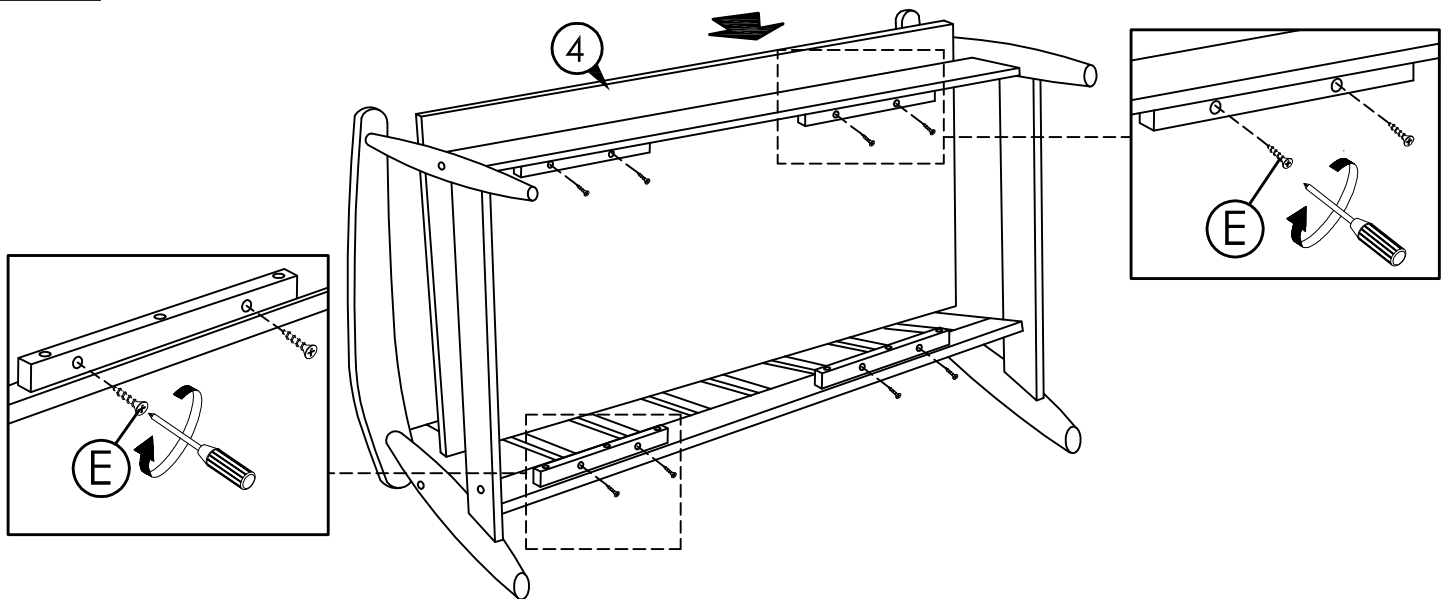
DO NOT FULLY TIGHTEN THE BOLT

ASSEMBLY INSTRUCTIONS

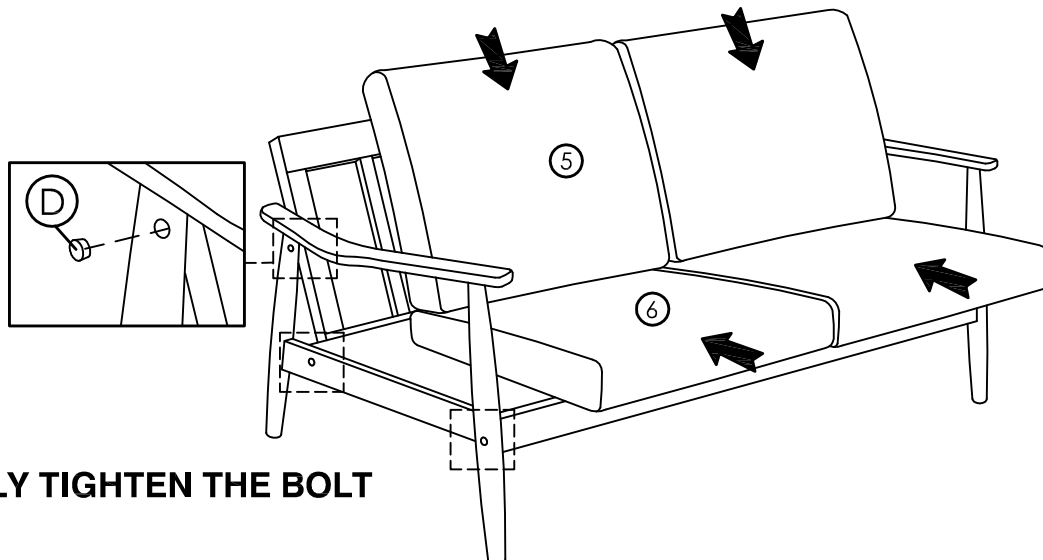
STEP 2



STEP 3



STEP 4



FULLY TIGHTEN THE BOLT