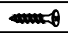




Read this instruction carefully. See hardware and furniture part list for guidance. Be sure all parts are complete, before you assemble. Place all wooden furniture parts on a clean and flat soft surface to prevent from being scratched. Follow the figure to start assembling.

PART LIST			
ITEM	DESCRIPTION	BOX	QTY
A	HEADBOARD	1	1 PC
B	FOOTBOARD	2	1 PC
C	SIDE RAIL	3	2 PCS
D	CENTER RAIL	3	1 PC
E	CENTER SUPPORT LEG	3	3 PCS
F	BED SLAT	3	1 SET

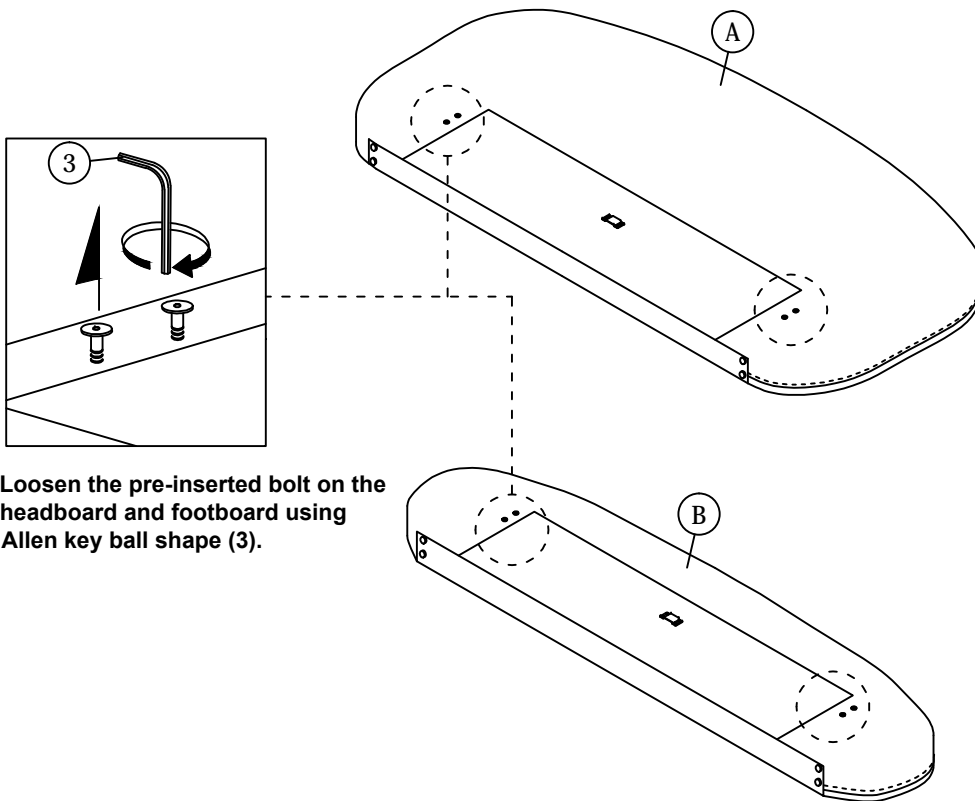
HARDWARE LIST (BOX : 3)			
ITEM	DESCRIPTION		QTY
1	WOOD SCREW M4 x 38mm		9 PCS
2	WOOD SCREW M4 x 20mm		2 PCS
3	M5 ALLEN KEY (BALL SHAPE)		1 PC

**CAUTIONS :**

1. Do not FULLY - TIGHTEN the nut or nut bolt until all nut or bolt is ready assembled.
2. Do not OVER - TIGHTEN the nut or bolt to avoid causing damages to the thread.
3. Keep all hardware parts out of reach of children.

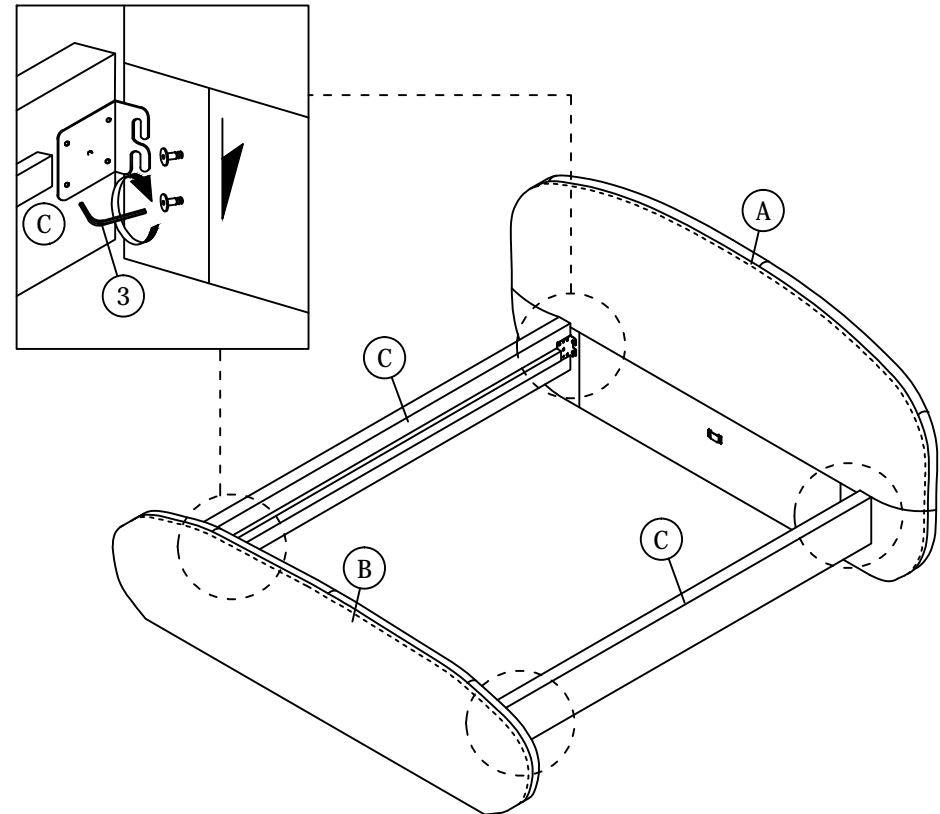
**NOTE :** THE LIST AND QUANTITY SHOWN ARE FOR 1 UNIT ASSEMBLY.  
Tool needed : Screwdriver (not provider).

## STEP 1



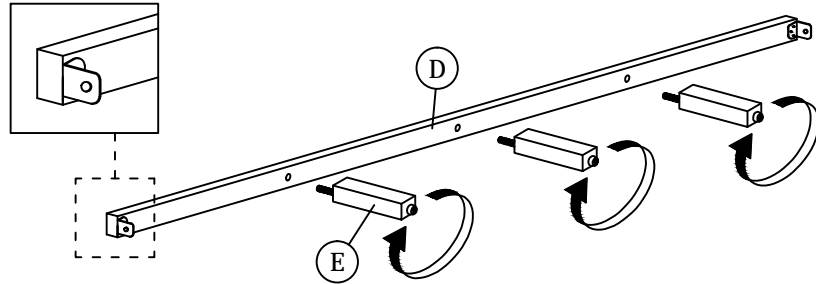
Loosen the pre-inserted bolt on the headboard and footboard using Allen key ball shape (3).

## STEP 2

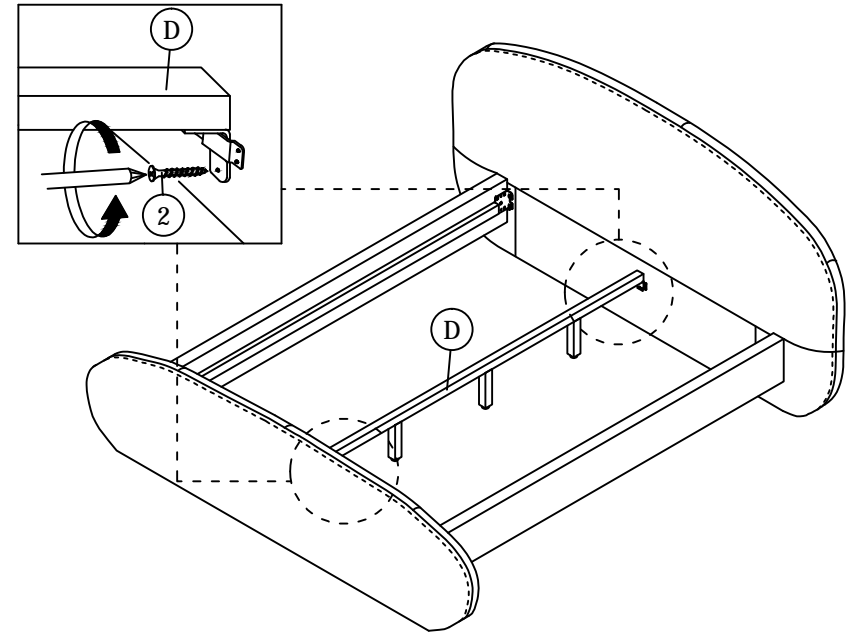


# ASSEMBLY INSTRUCTIONS

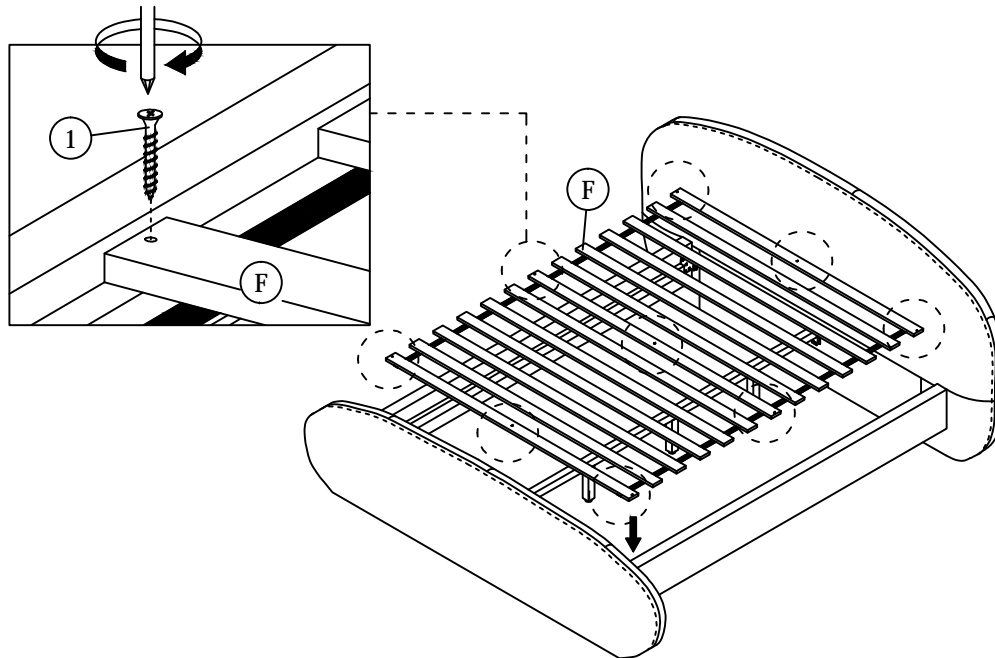
## STEP 3



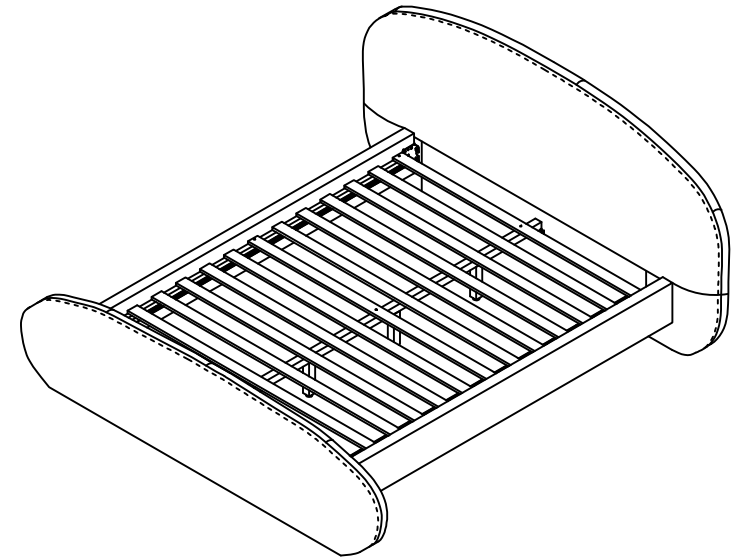
## STEP 4



## STEP 5



## STEP 6



**\* When moving the bed position, the center support legs must be adjust to be straight to avoid any broken problem.**