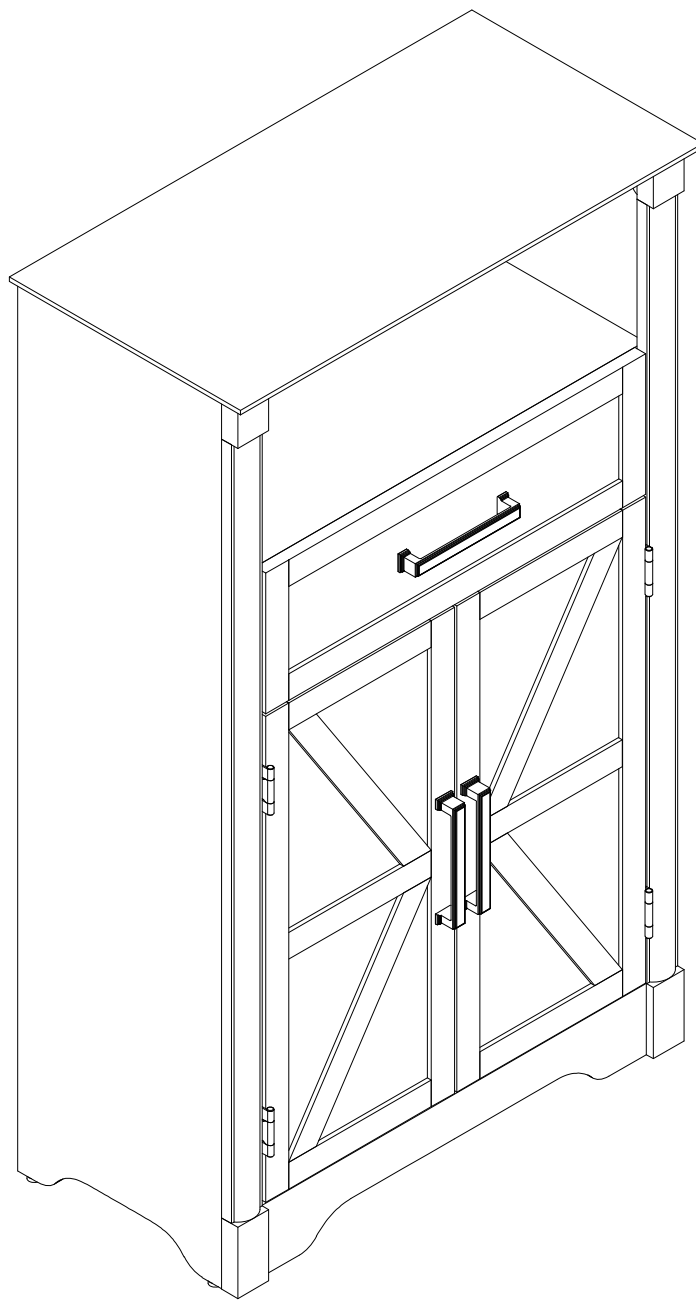


Assembly Instruction



Note: If you encounter any issues, please contact customer service.

Important reminder:

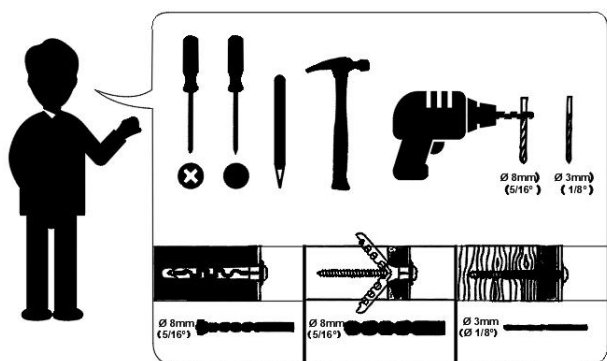
- ⚠ Please sort and check all accessories before assembly.
- ⚠ Please place the product on empty cardboard box or carpet to avoid scratches on it,
- ⚠ Please use proper tools for assembly. Using an electric screwdriver can accelerate the assembly speed, but please do not overtighten the screws.
- ⚠ Please follow the assembly steps and do not skip any of them.
- ⚠ If possible, please find a partner to help you with assembly, which can accelerate assembly.
- ⚠ Keep all small parts of this product away from children. They may cause serious injury.
- ⚠ We hope you can retighten the screws 2 weeks after assembly, and check the tightening procedure of the screws every 3 months.

If you meet any difficulty, our friendly customer team are always ready to help you.

"SAFETY TIPS:

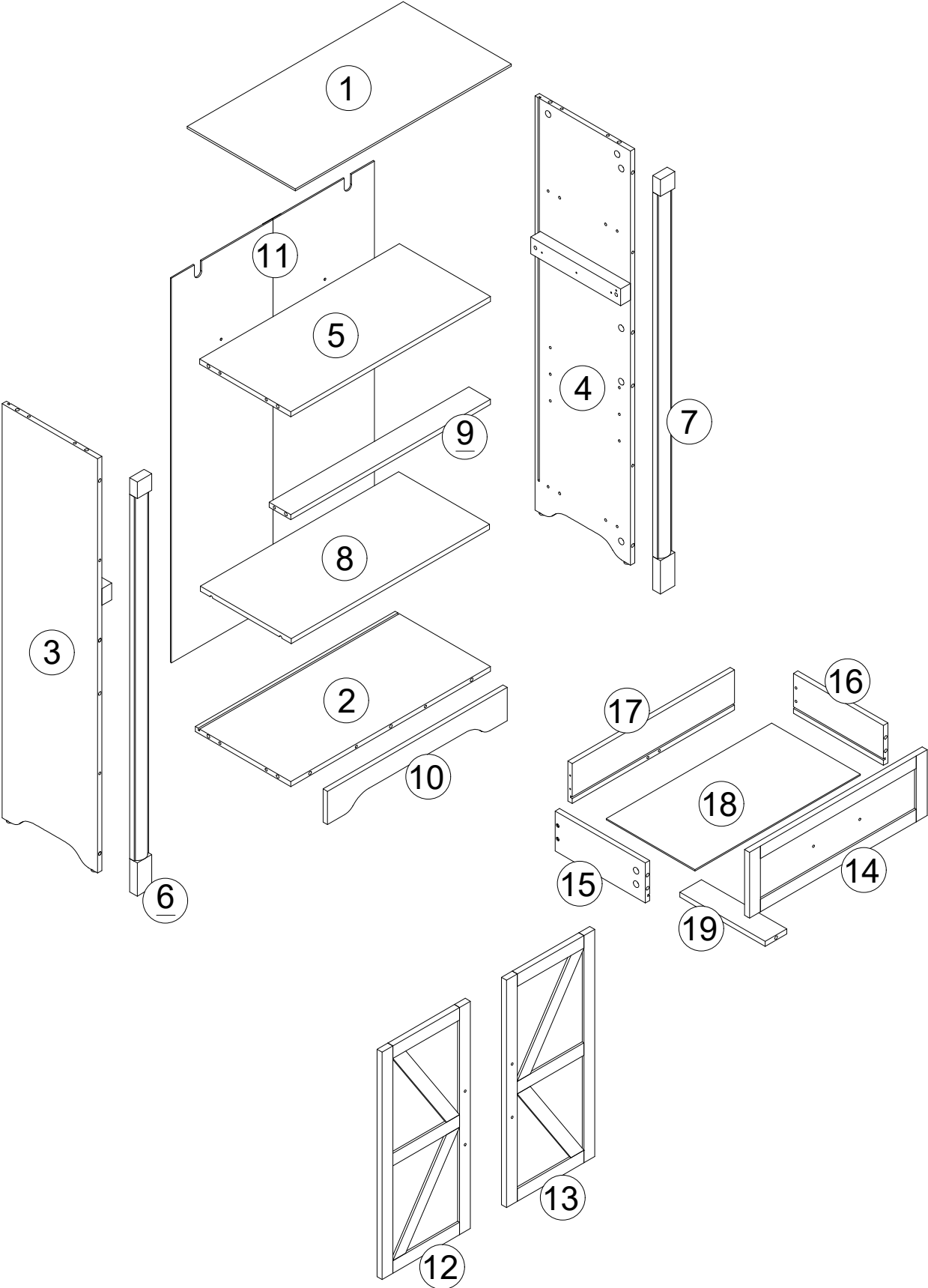
Static charge may cause dust on foam – clean with a dry or damp cloth. Small foam strands may be present – handle gently and dispose of properly.

Do not burn or incinerate. Check local recycling guidelines."



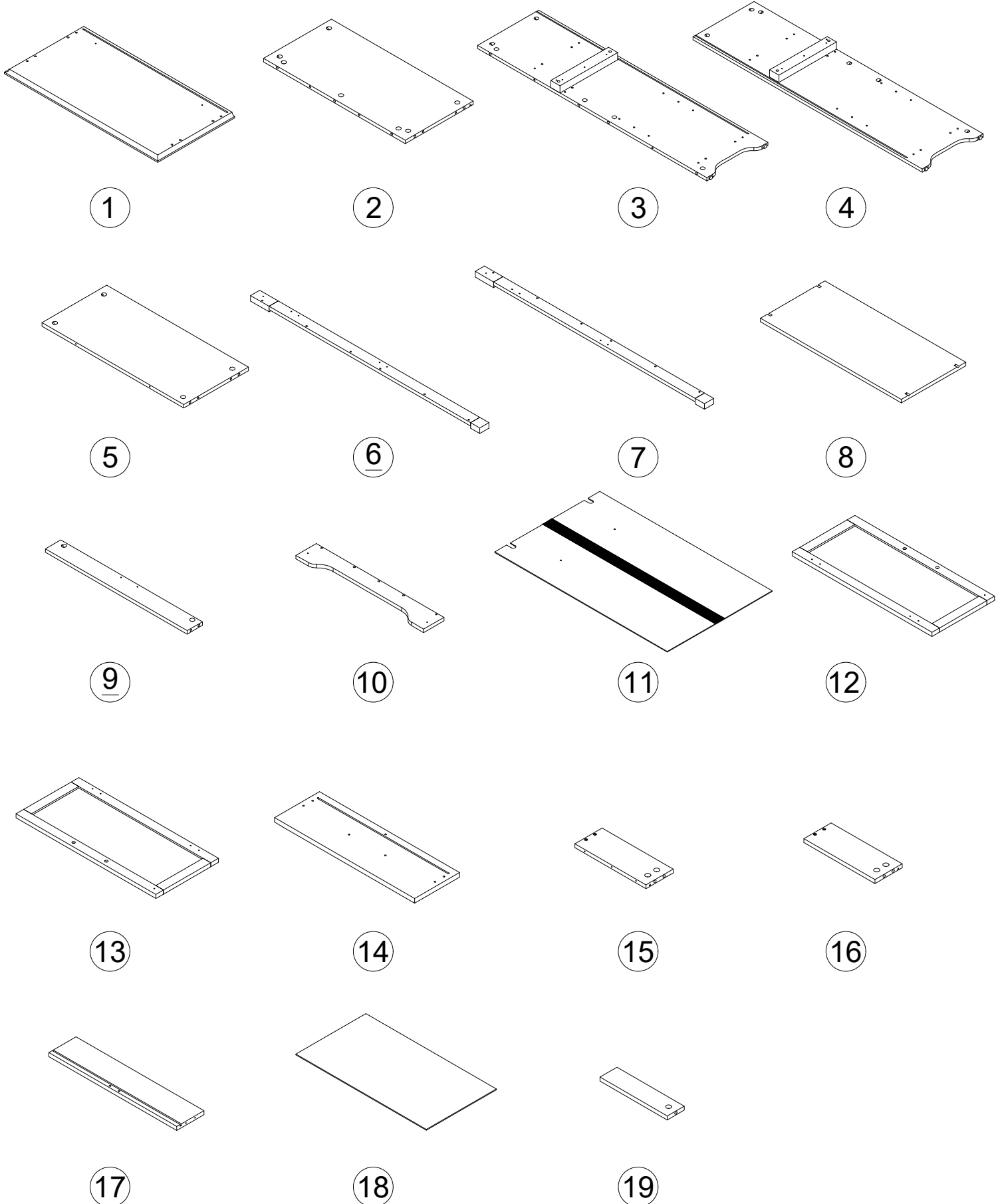
Warning: Overturning the product can cause serious crushing injuries. We have a wall connection device attached, please use it to hold the furniture following assembly instructions. Do not change the structure of this product in any way. Our products have been tested and meet any sales specific security measures. We won't be responsible for any modifications, which may cause significant security risks.

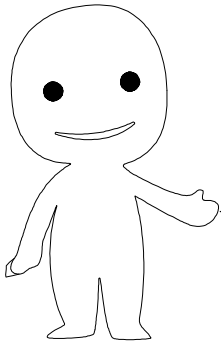
Board Identification



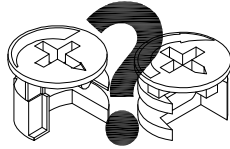
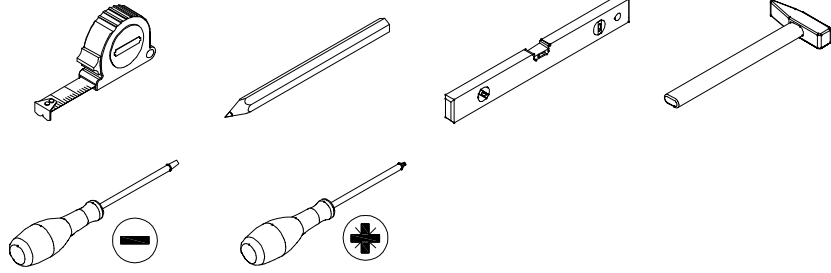
Note: If you encounter any issues, please contact customer service.

PARTS LIST





Please prepare the following tools



When installing, please carefully confirm whether each screw corresponds to the manual, accessories with similar shapes can be distinguished by size

<p>A x 30+2</p> <p>Ø15*9mm</p>	<p>B x 30+2</p> <p>L = 25mm</p>	<p>C x 20+2</p> <p>Ø6*30mm</p>	<p>D x 16+2</p> <p>Ø3.5*15mm</p>
<p>E x 4</p> <p>50*24*2.0mm</p>	<p>F x 14+2</p> <p>Ø3.5*12mm</p>	<p>G x 10+1</p> <p>G-1 G-2</p>	<p>H x 4</p> <p>Ø3*12mm</p>
<p>J x 1</p> <p>72*16*10.5mm</p>	<p>K x 4</p> <p>Ø5*16mm</p>	<p>L x 3</p> <p>L1 L2</p>	<p>M x 2</p> <p>M1 M2</p>
<p>N x 2</p> <p>N1 N2</p>	<p>P x 6+1</p> <p>Ø4*30mm</p>	<p>Q x 2</p> <p>Q-1 Q-2 Q-3 Q-4</p>	<p>R x 30+2</p> <p>Ø23mm</p>
<p>x 1</p> <p>250mm</p> <p>CR CL DL DR</p>			

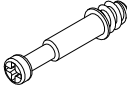
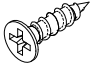
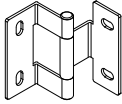
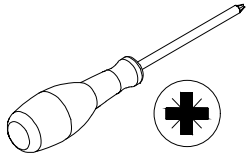



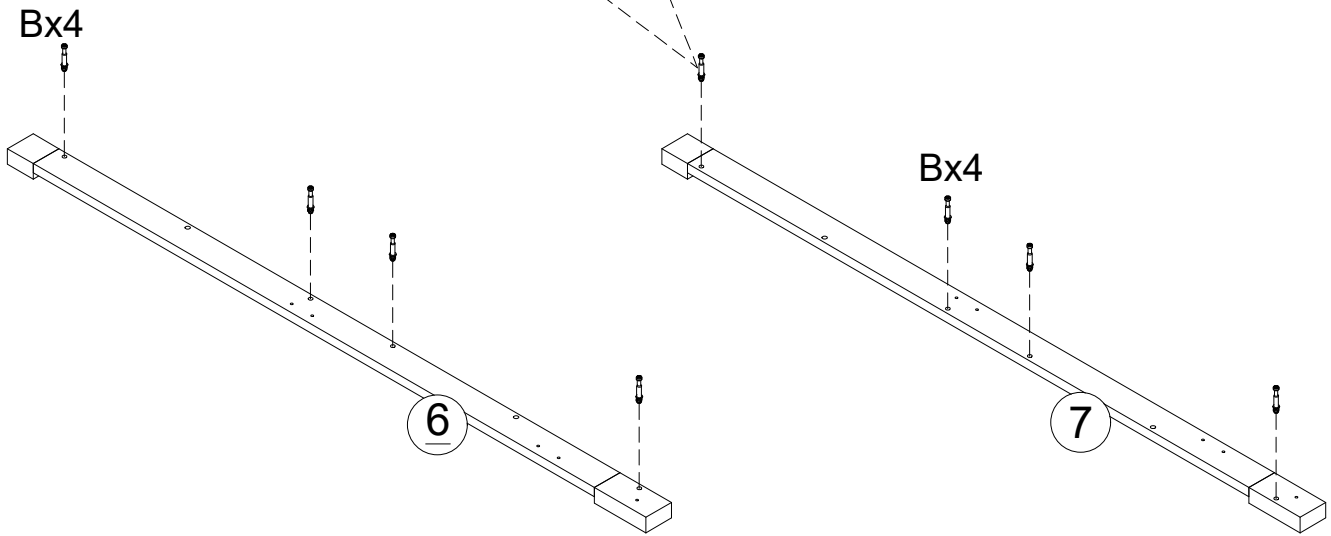
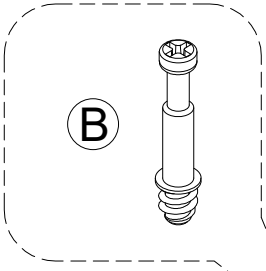
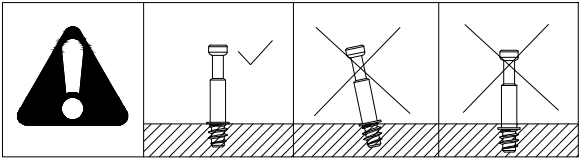
SPARE BAG

THE SPARE BAG INCLUDED EXTRA HARDWARE FOR DAMAGED OR MISSING SMALL HARDWARE WHILE YOU ARE ASSEMBLING.

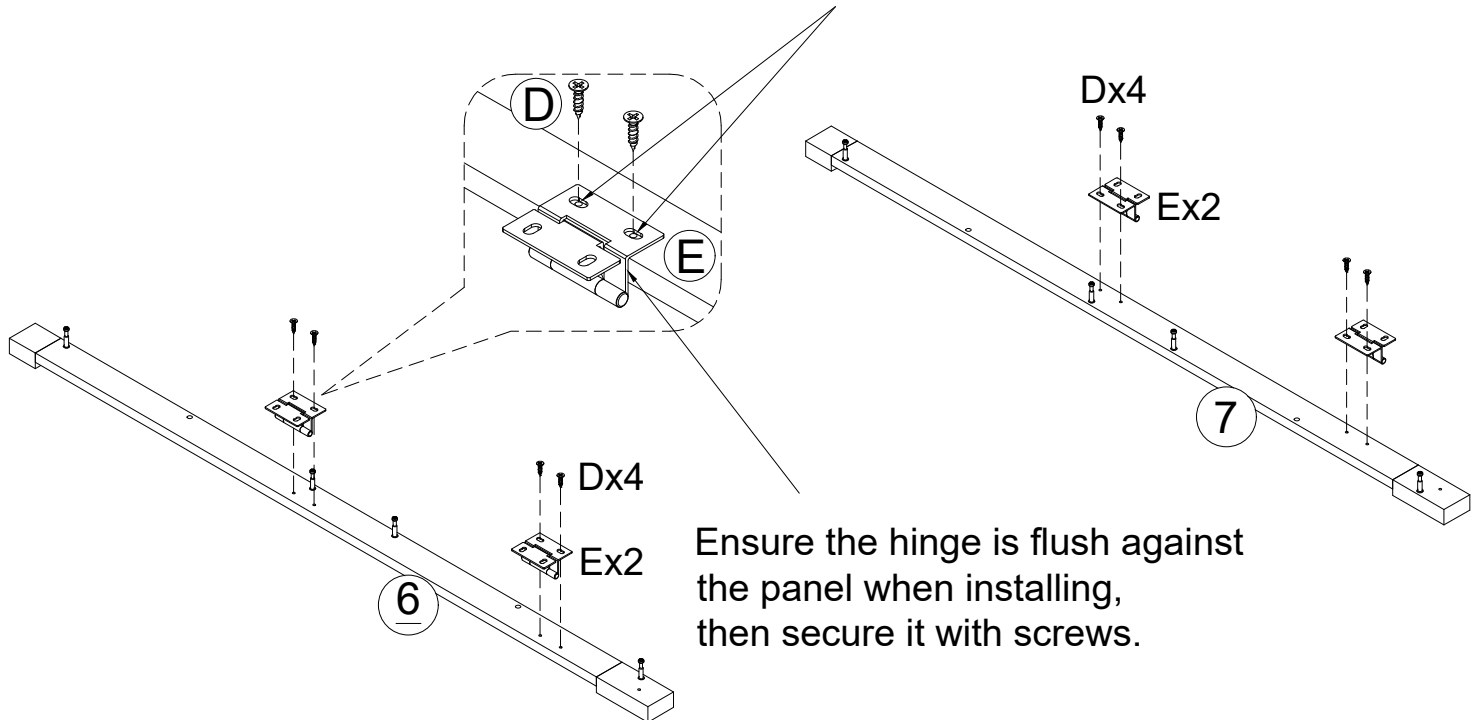
Note: If you encounter any issues, please contact customer service.

1

<p>B x 8</p>  <p>L = 25mm</p>	<p>D x 8</p>  <p>Ø3.5*15mm</p>	<p>E x 4</p>  <p>50*24*2.0mm</p>	 
--	---	---	--



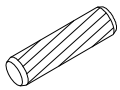
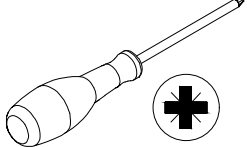
Ensure the screws are driven in at the center to avoid misalignment or shifting of the hinge to one side.

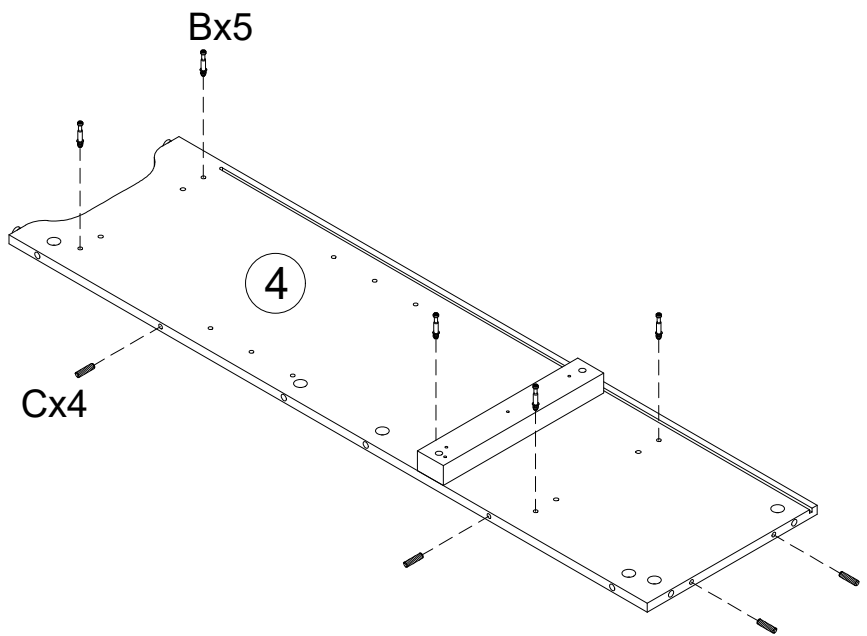
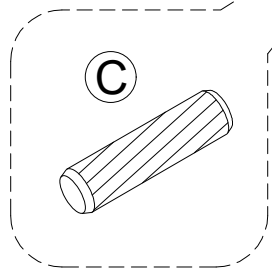
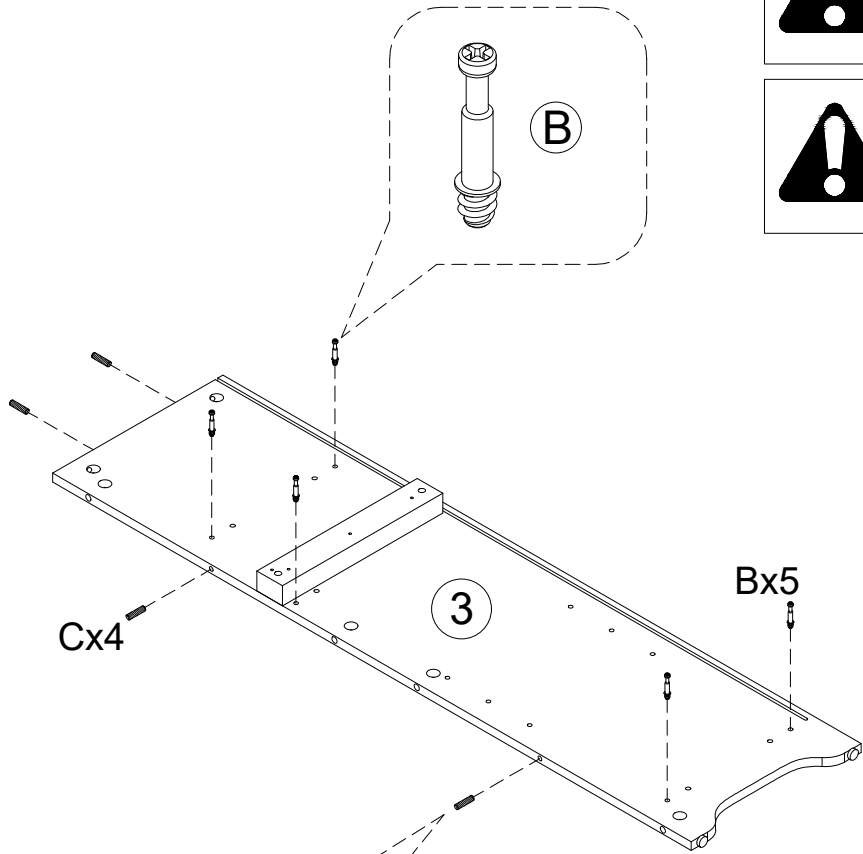
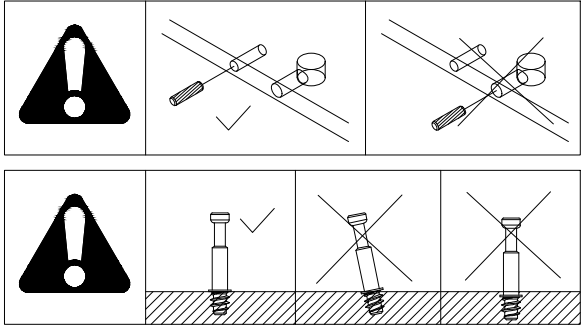


Ensure the hinge is flush against the panel when installing, then secure it with screws.

Note: If you encounter any issues, please contact customer service.

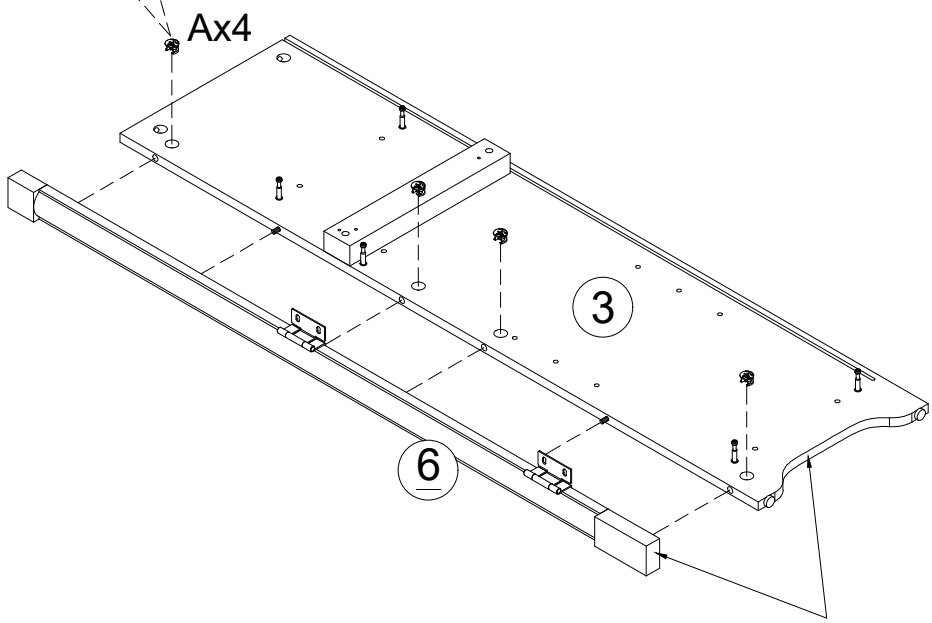
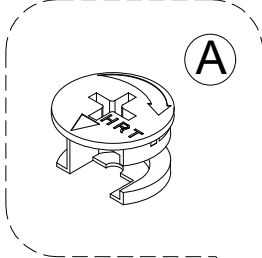
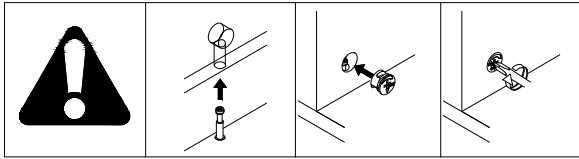
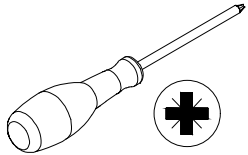
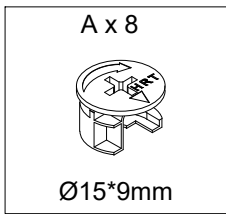
2

<p>B x 10</p>  <p>L = 25mm</p>	<p>C x 8</p>  <p>Ø6*30mm</p>	
---	---	---

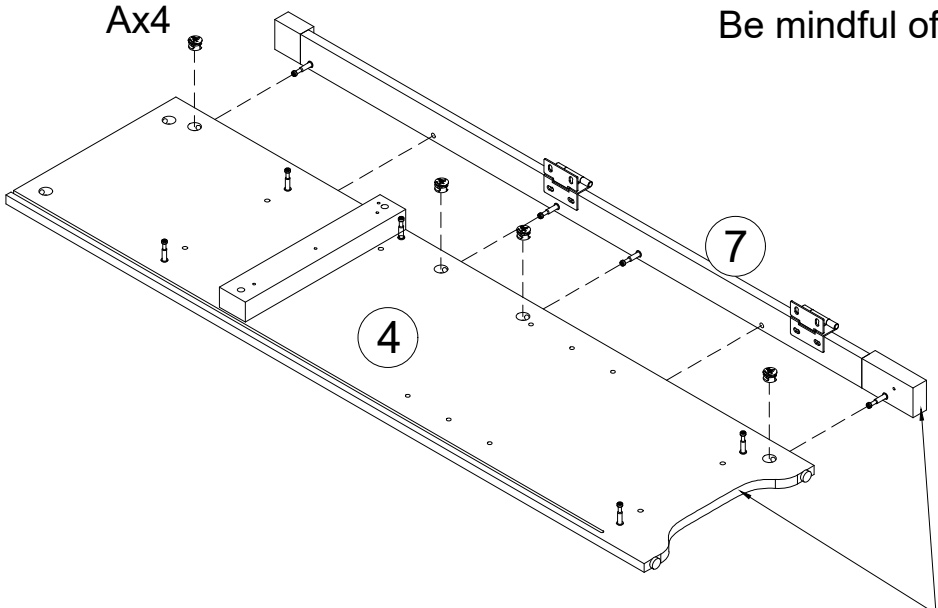


Note: If you encounter any issues, please contact customer service.

3



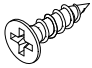
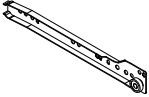
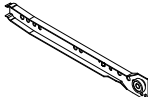
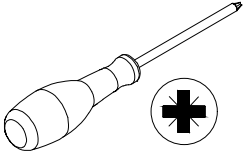
Be mindful of the orientation.

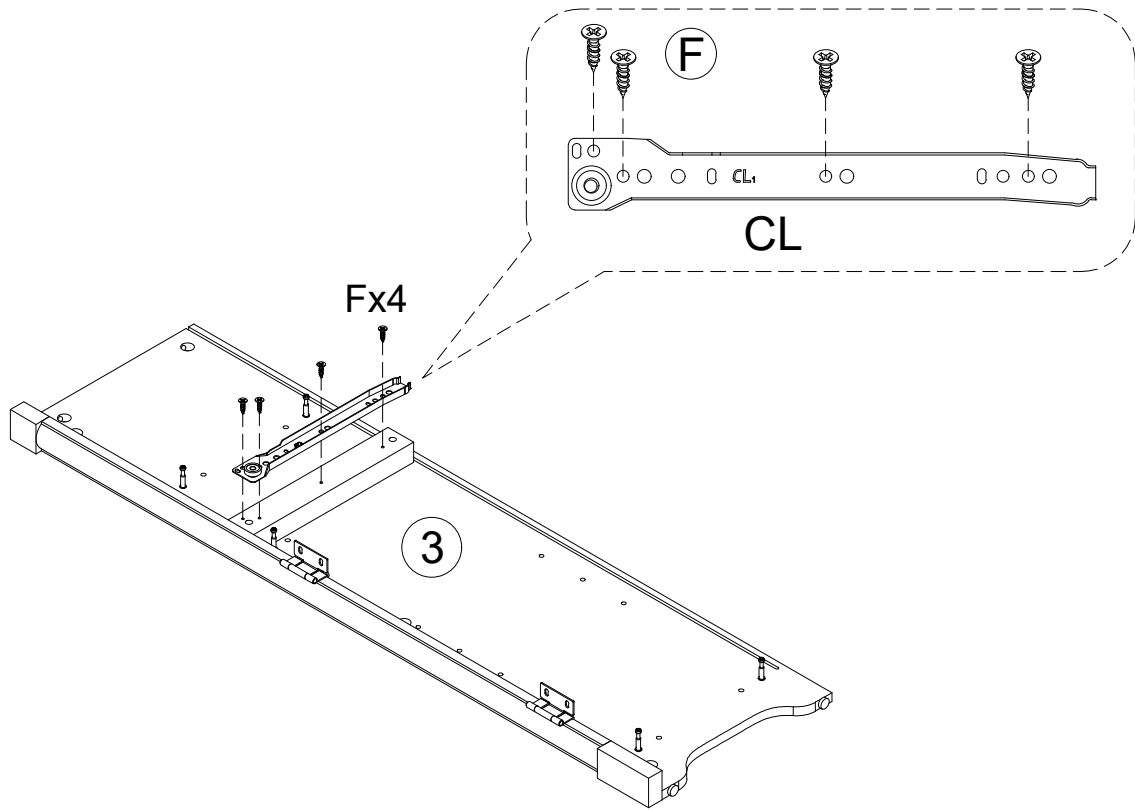
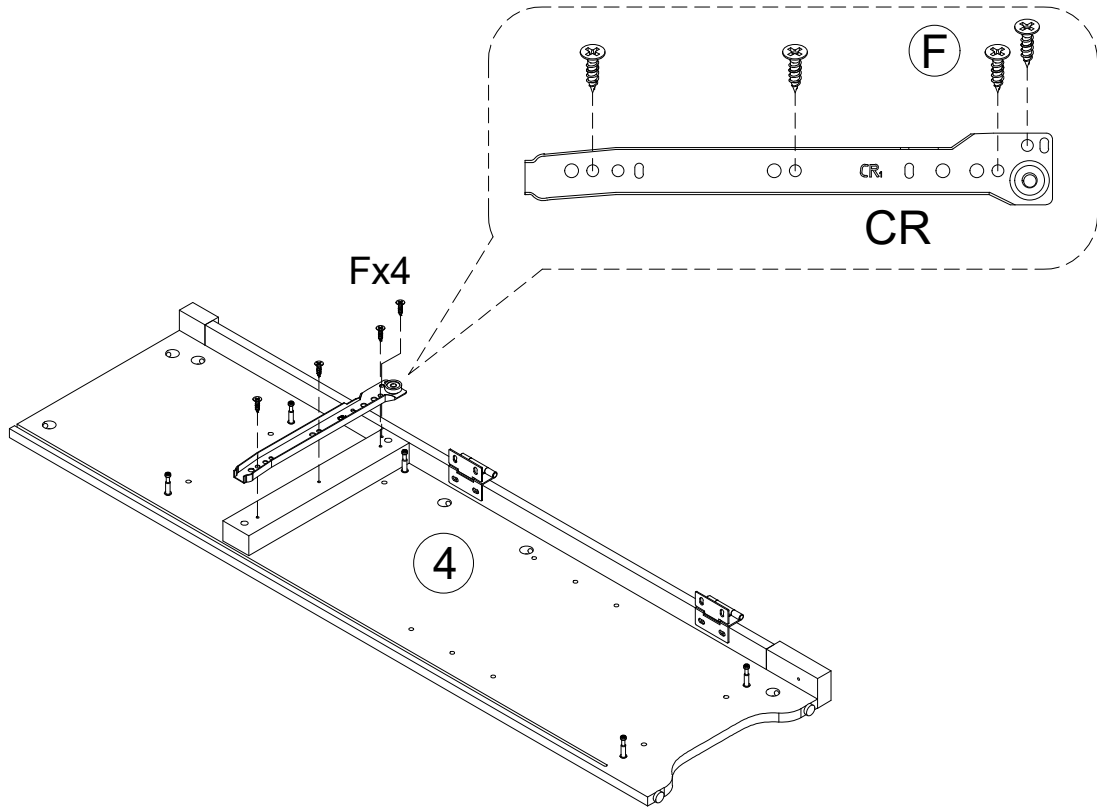


Be mindful of the orientation.

Note:If you encounter any issues,please contact customer service.

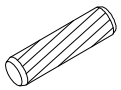
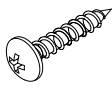
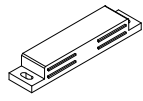
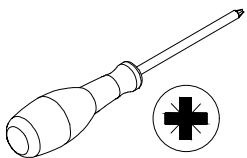

4

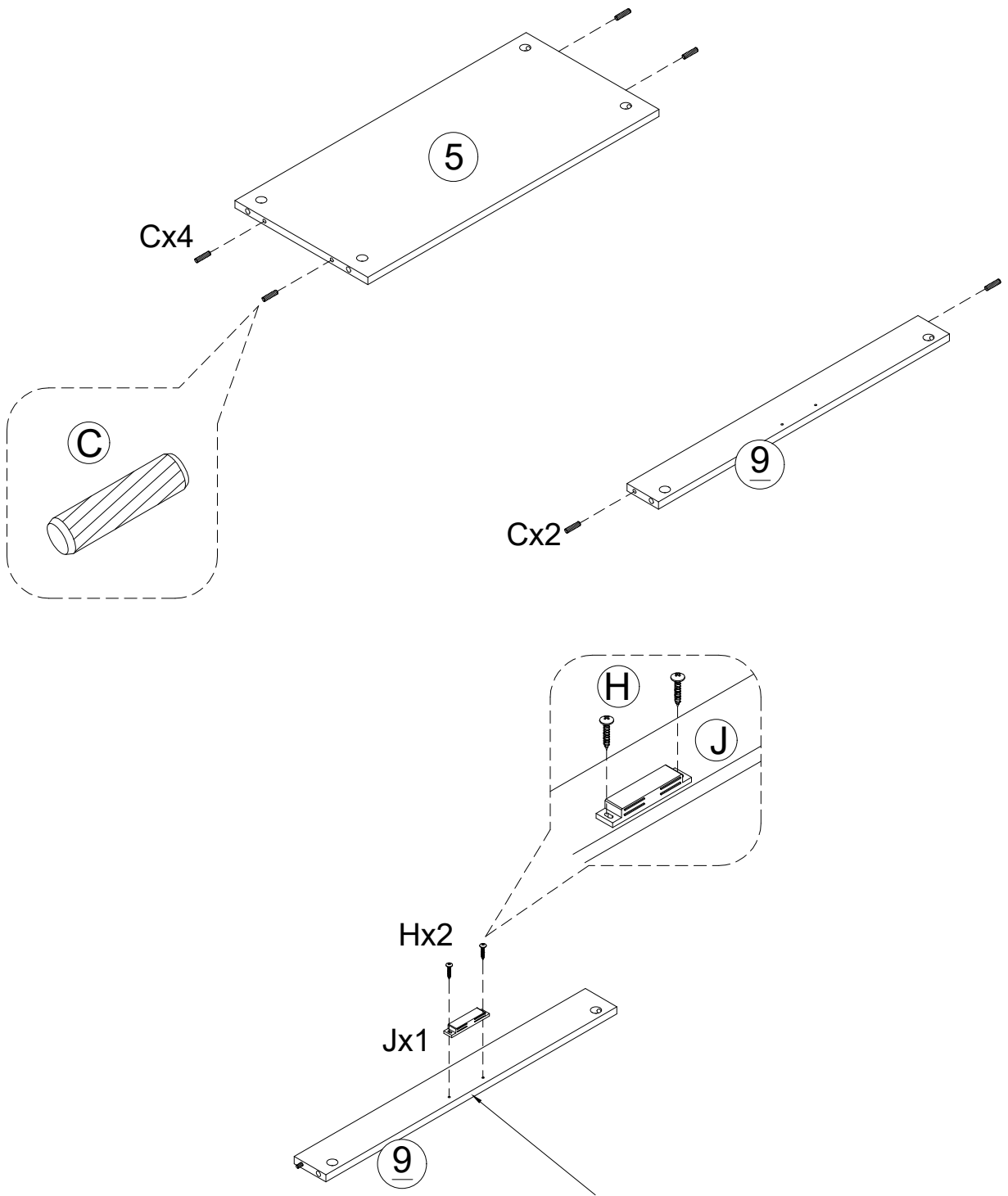
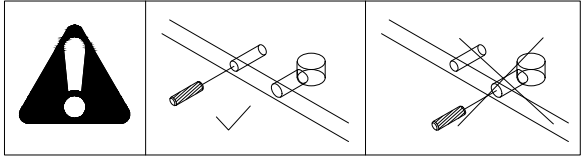
<p>F x 8</p>  <p>Ø3.5*12mm</p>	<p>CR x 1</p> 	<p>CL x 1</p> 	
---	---	---	--



Note:If you encounter any issues,please contact customer service.

5


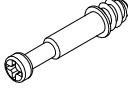
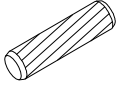
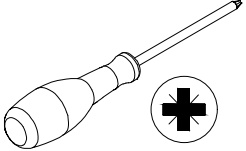
<p>C x 6</p>  <p>Ø6*30mm</p>	<p>H x 2</p>  <p>Ø3*12mm</p>	<p>J x 1</p>  <p>72*16*10.5mm</p>	 
---	---	--	--

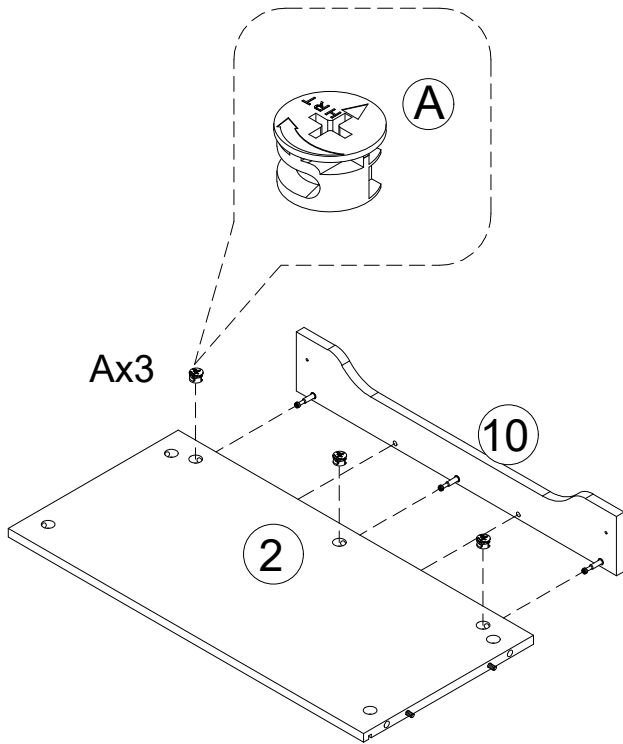
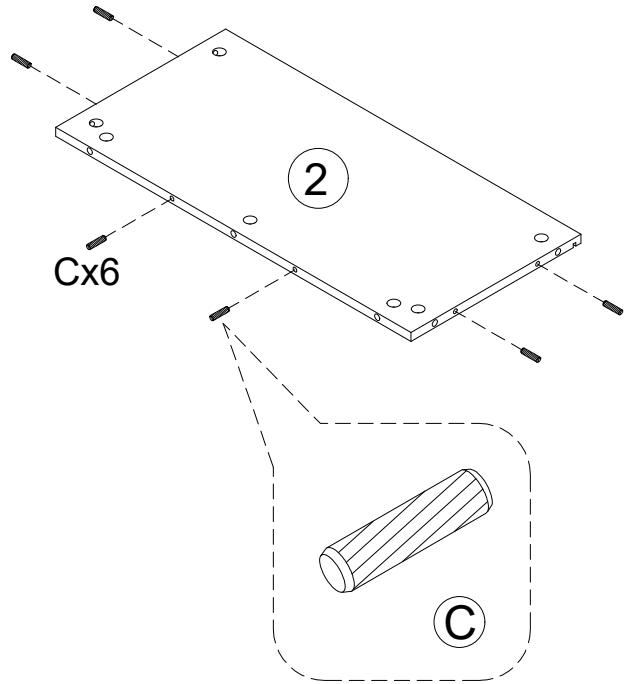
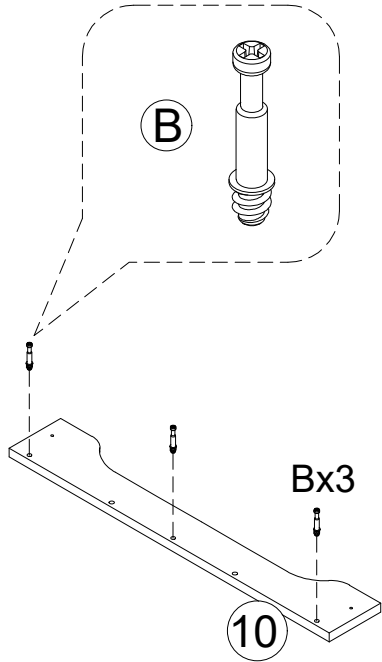
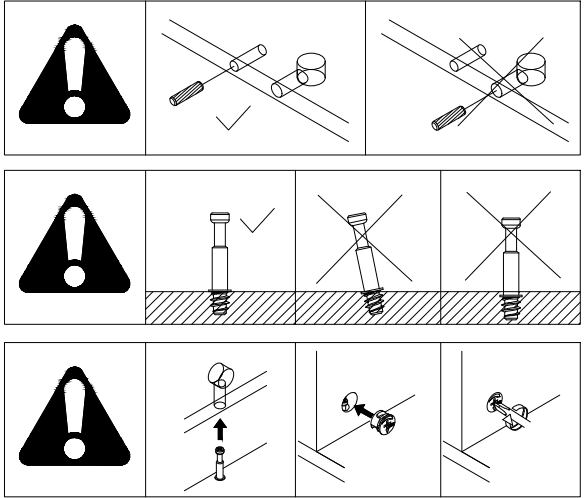


Be mindful of the orientation.

Note: If you encounter any issues, please contact customer service.

6


<p>A x 3</p>  <p>Ø15*9mm</p>	<p>B x 3</p>  <p>L = 25mm</p>	<p>C x 6</p>  <p>Ø6*30mm</p>	
---	--	---	--



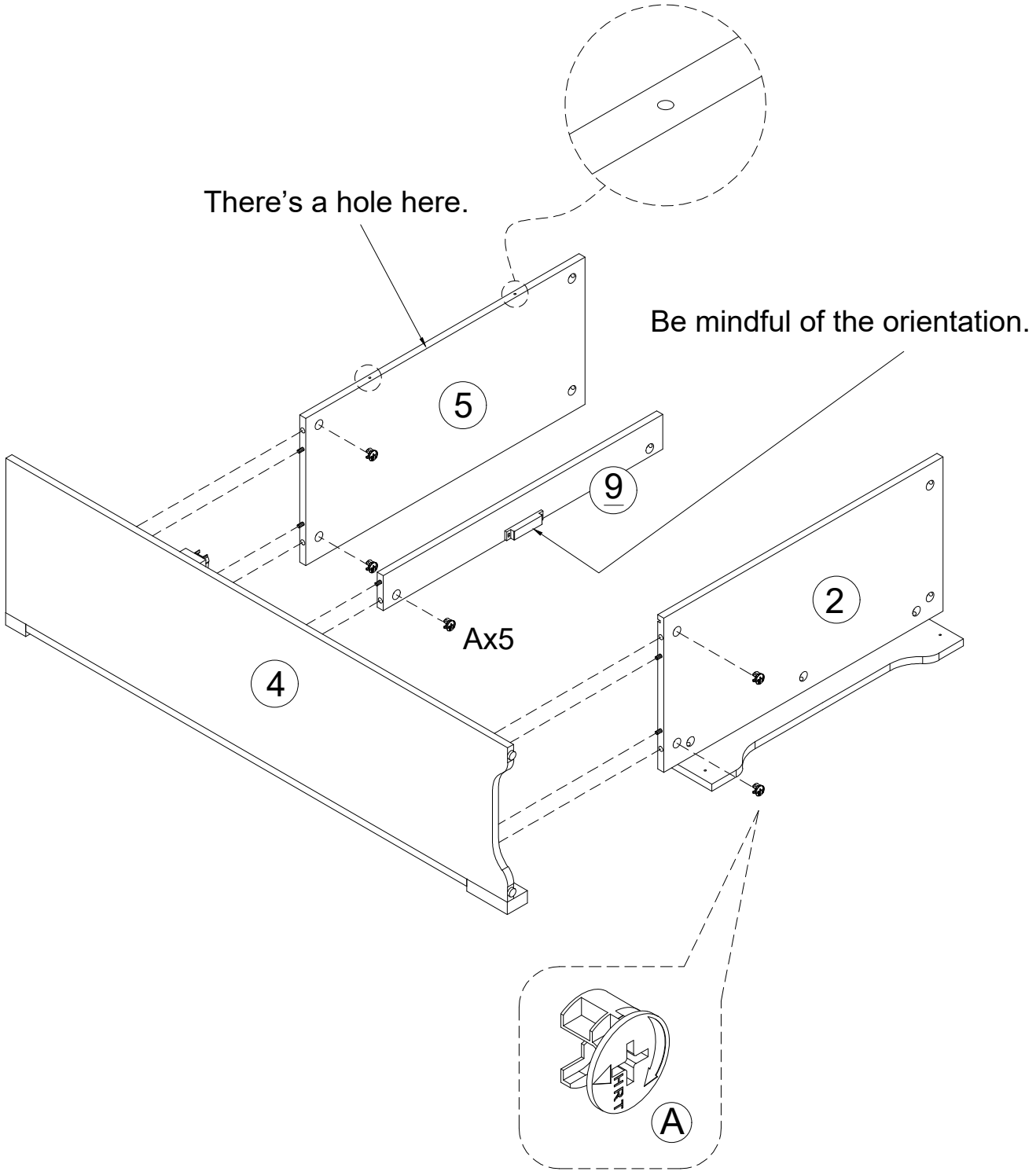
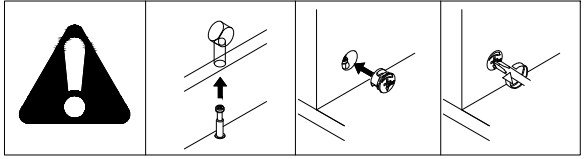
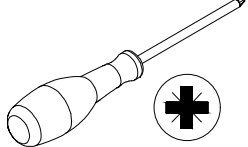
Note: If you encounter any issues, please contact customer service.

7

A x 5



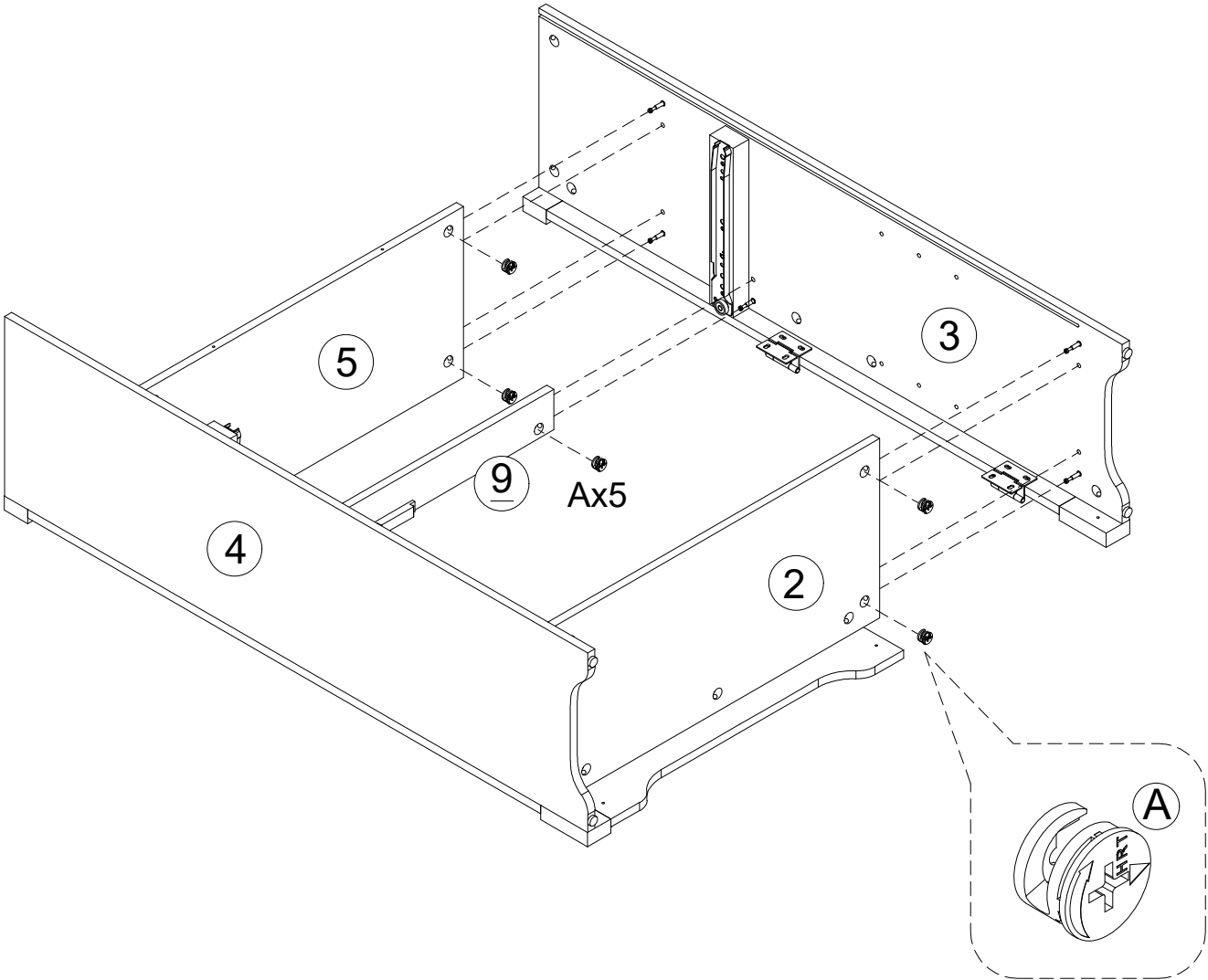
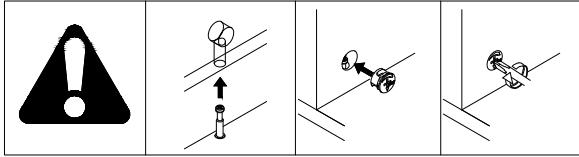
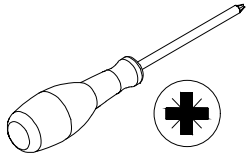
Ø15*9mm



Note:If you encounter any issues,please contact customer service.

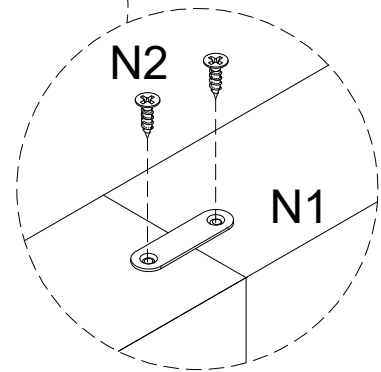
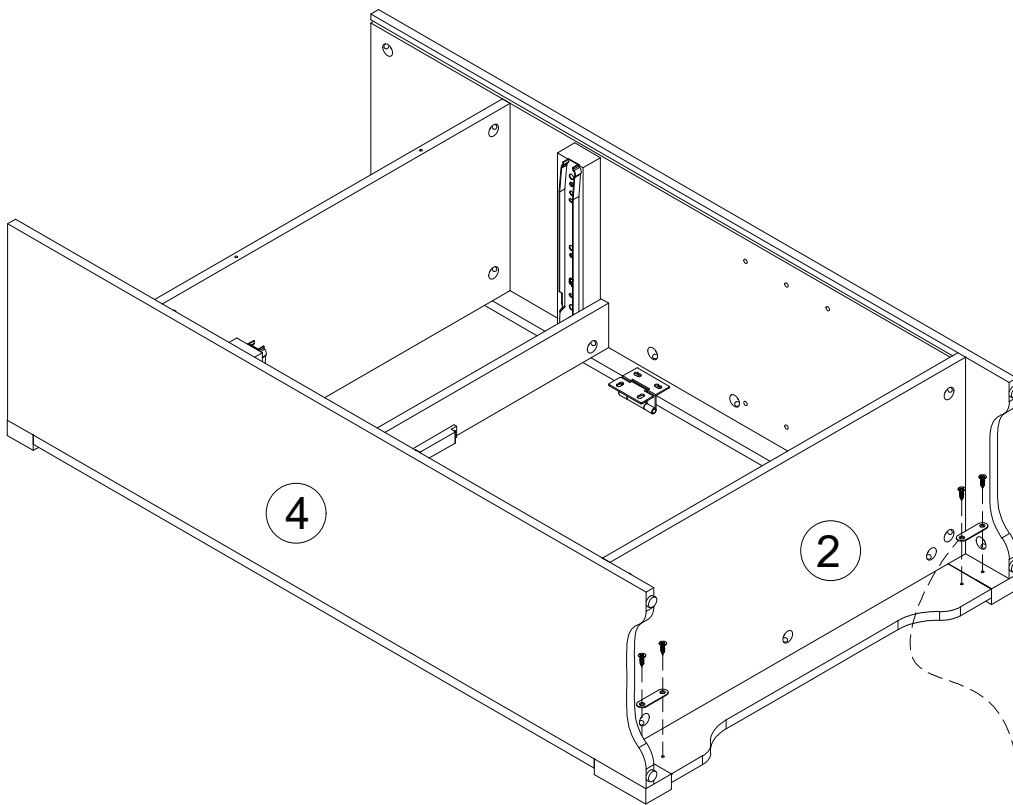
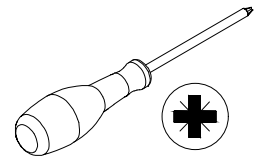
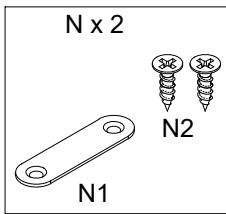
8

A x 5
Ø15*9mm



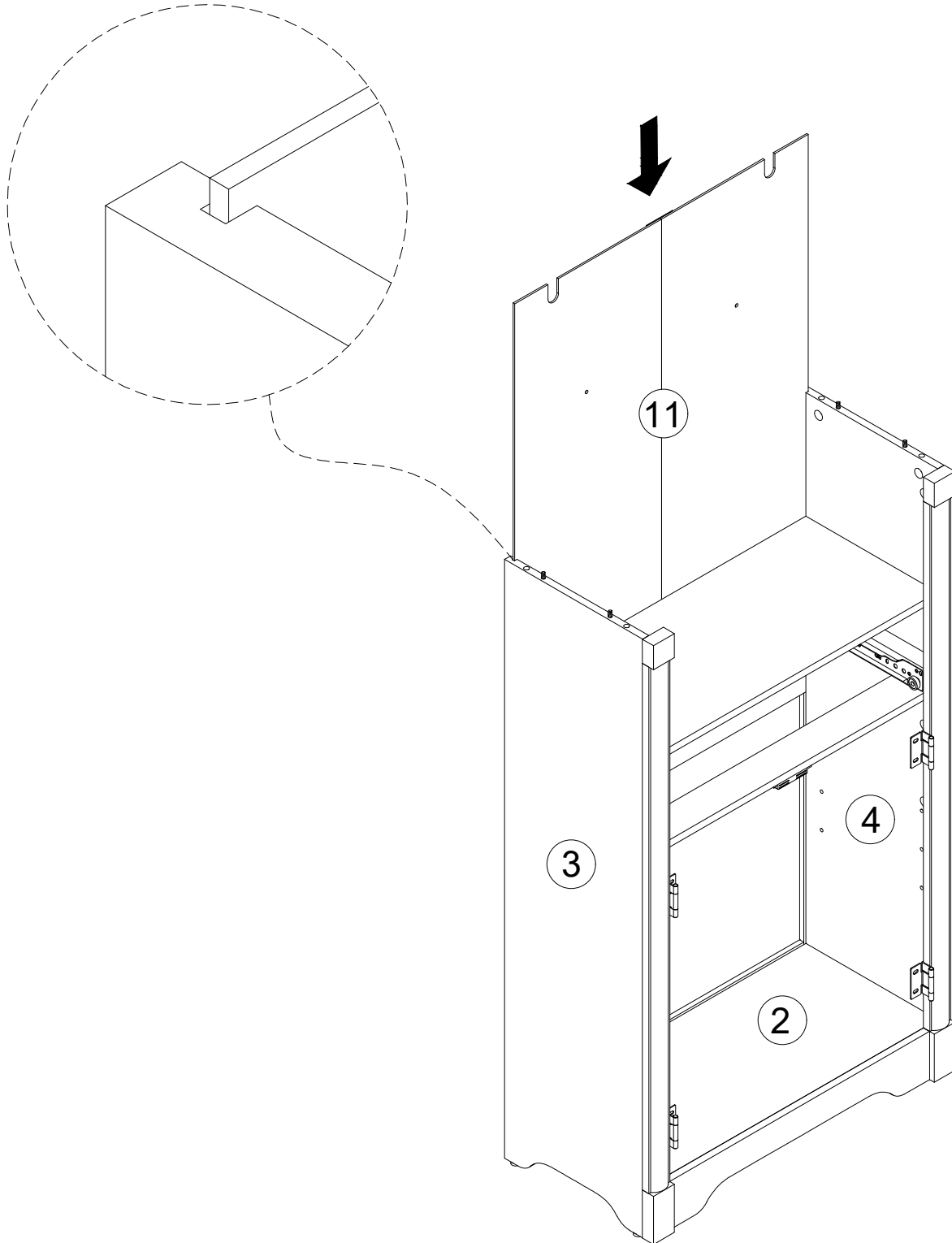
Note:If you encounter any issues,please contact customer service.

9



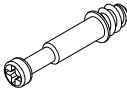
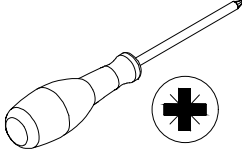
Note: If you encounter any issues, please contact customer service.

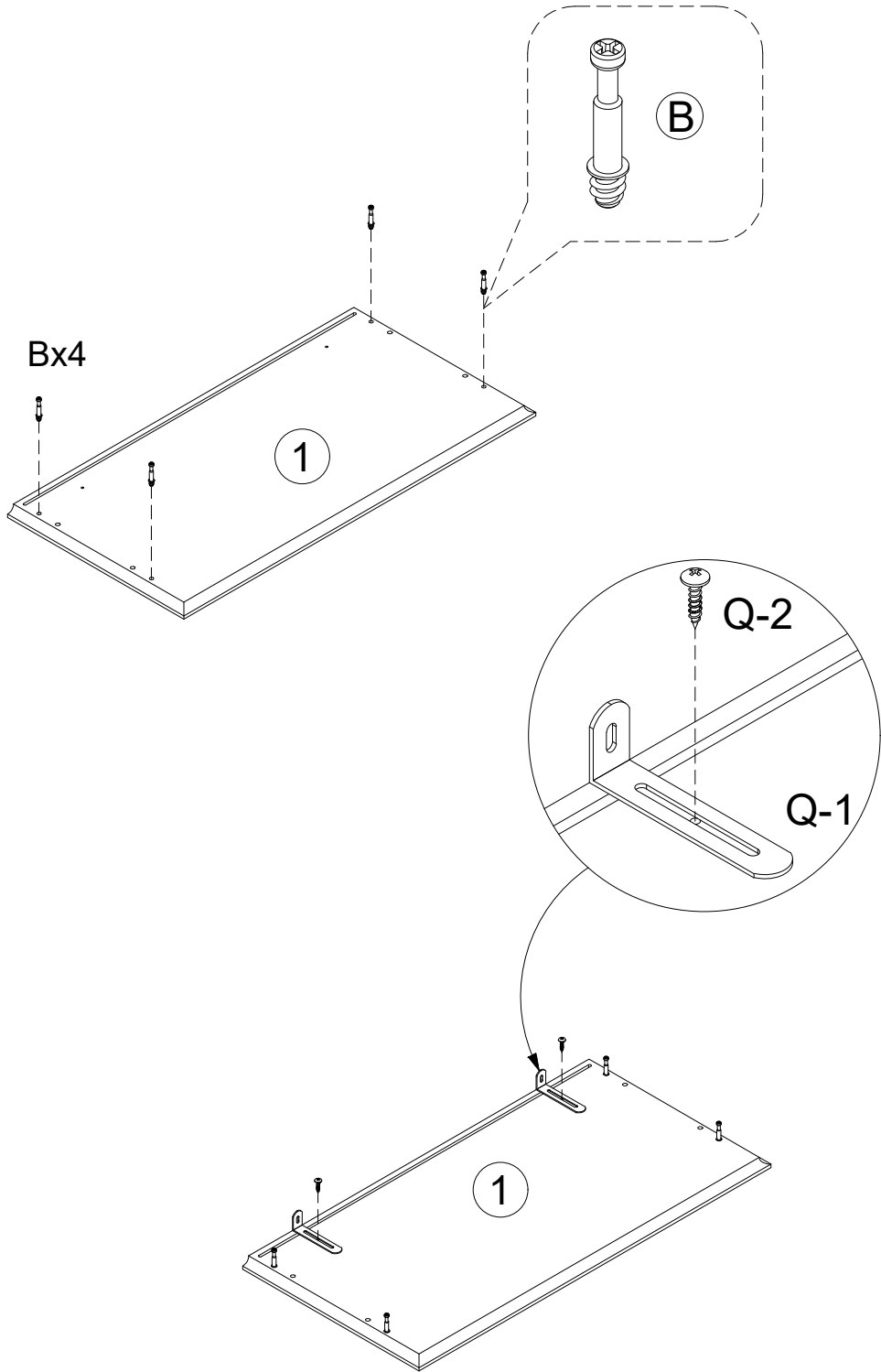
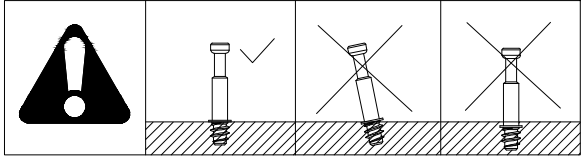
10



Note: If you encounter any issues, please contact customer service.

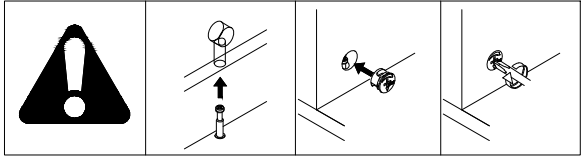
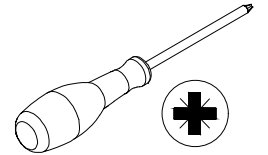
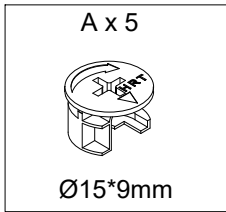
11

<p>B x 4</p>  <p>L = 25mm</p>	<p>x 2</p>  <p>Q-1</p>  <p>Q-2</p>	
--	--	--

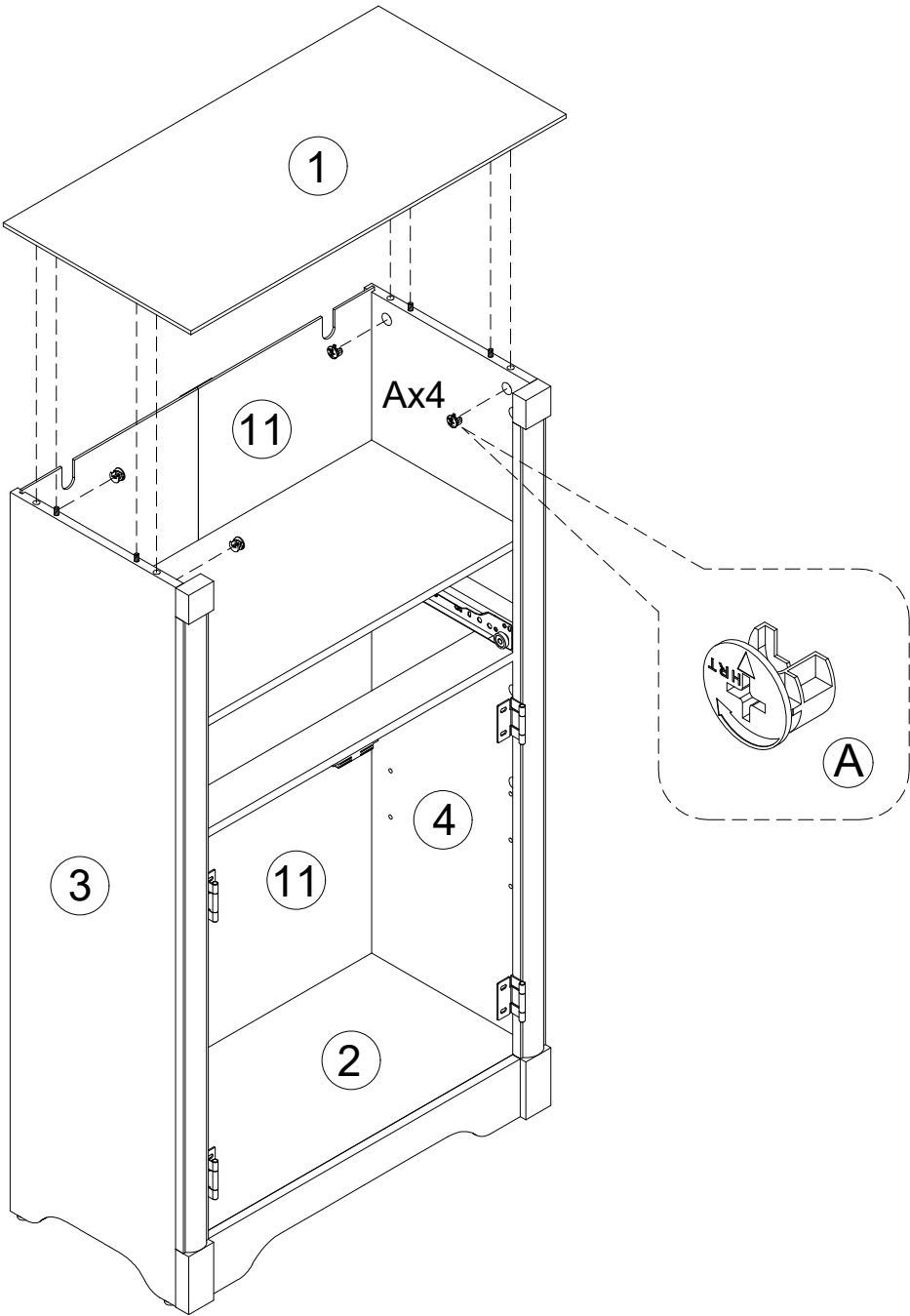
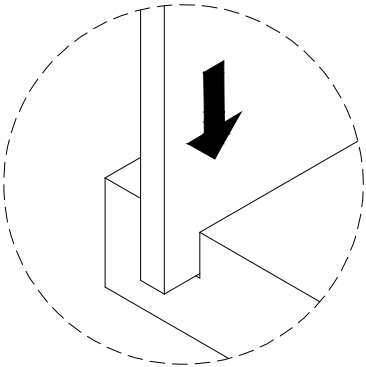


Note: If you encounter any issues, please contact customer service.

12

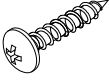


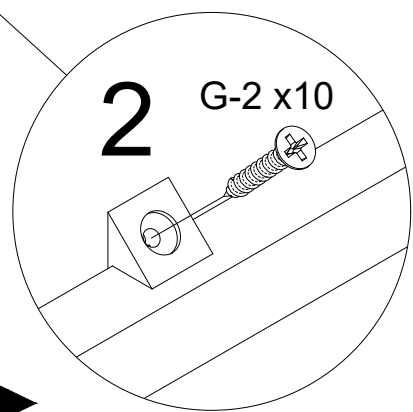
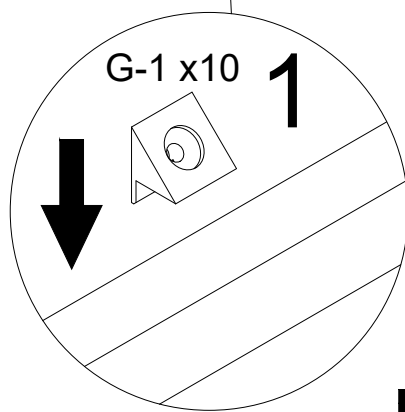
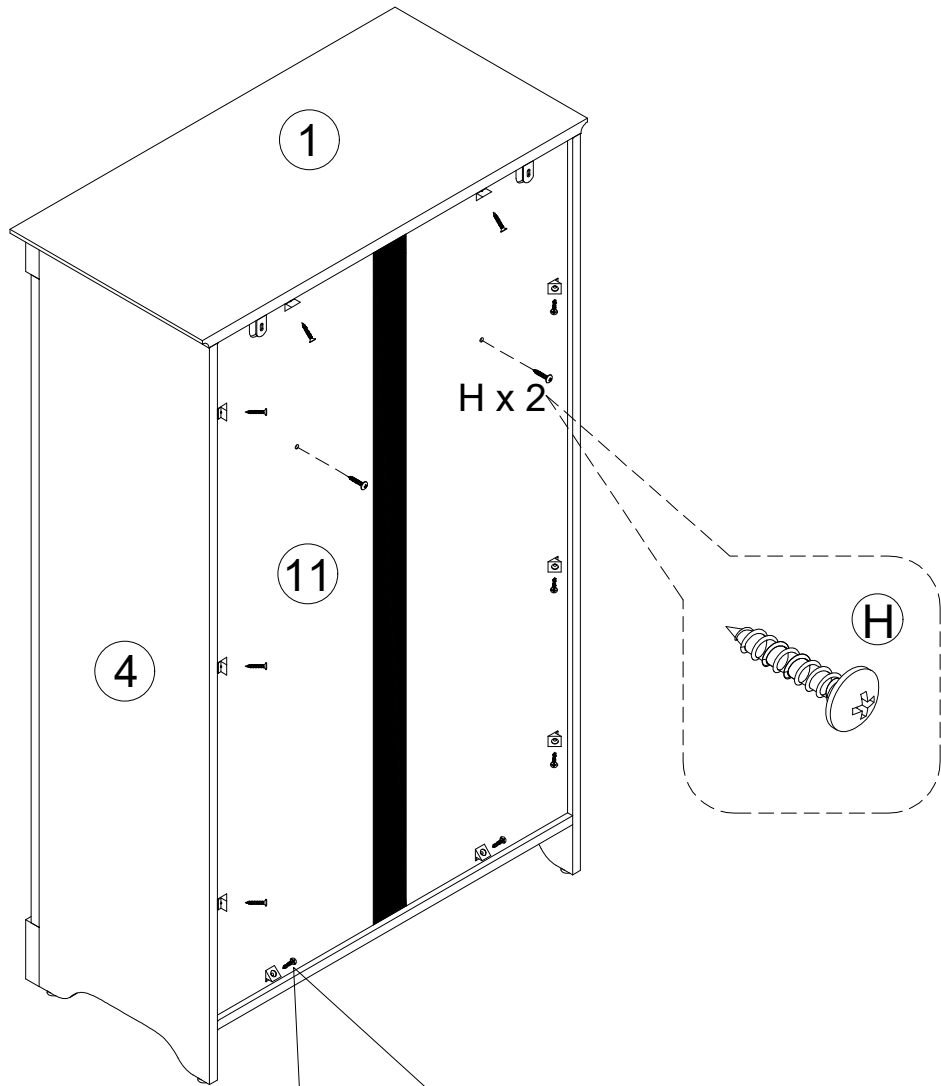
Make sure the back panel is inserted into the slot of the bottom panel before installing the cover plate.



Note: If you encounter any issues, please contact customer service.

13

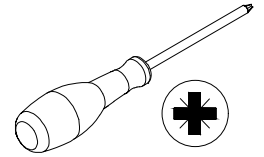
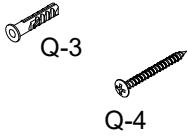
<p>H x 2</p>  <p>Ø3*12mm</p>	<p>G x 10</p>  <p>G-1 G-2</p>	
---	--	--



Note: If you encounter any issues, please contact customer service.

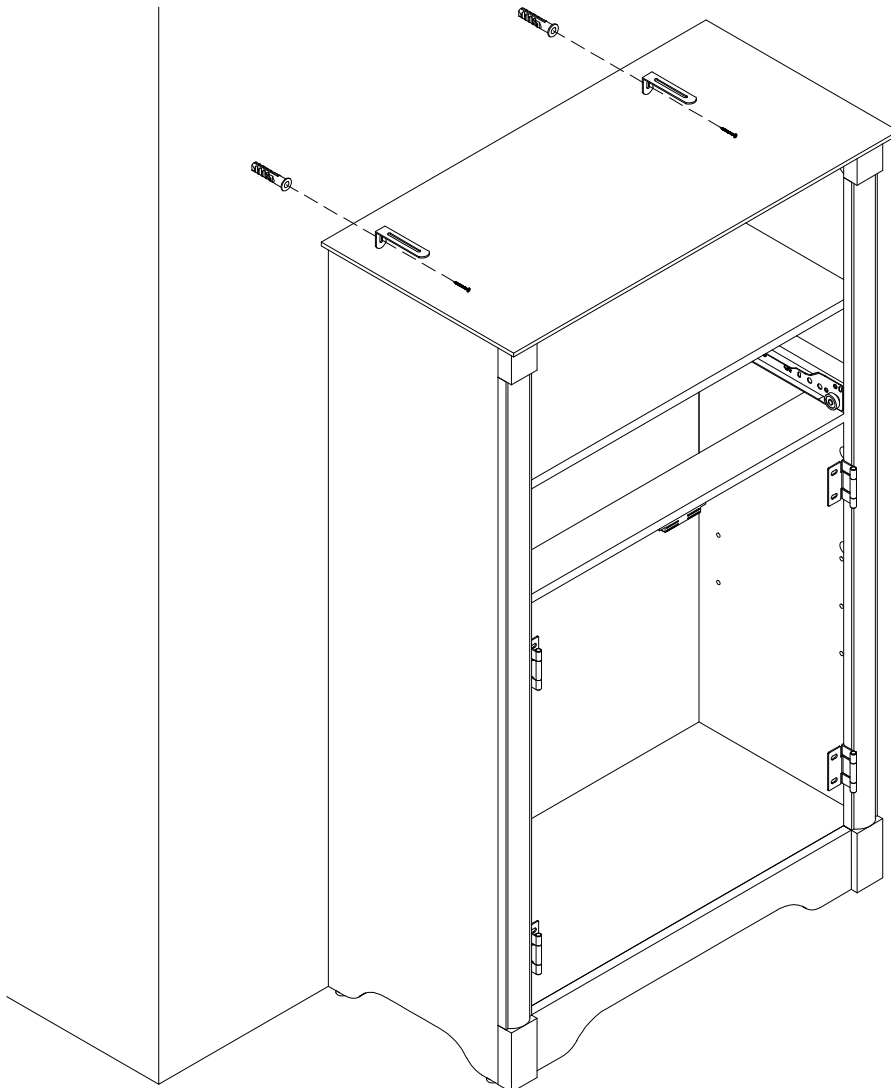
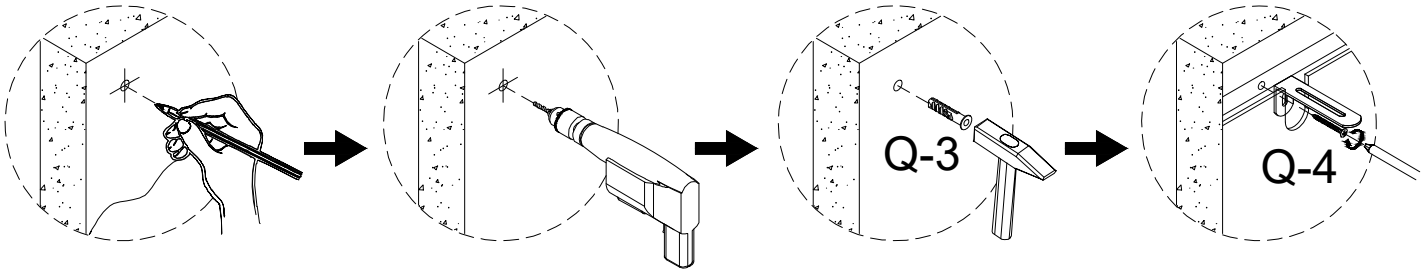
14

x 2



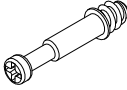



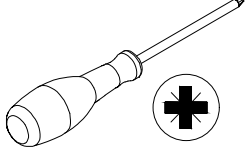

Warning: If you overturn the furniture, it may cause serious or fatal crushing injuries. We have a wall connection device attached, please use it to hold the furniture following these instructions.

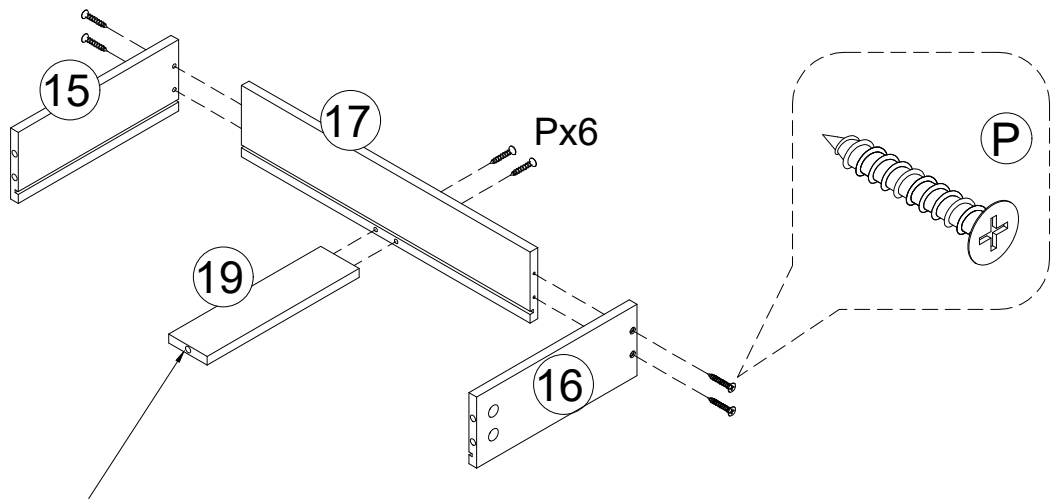
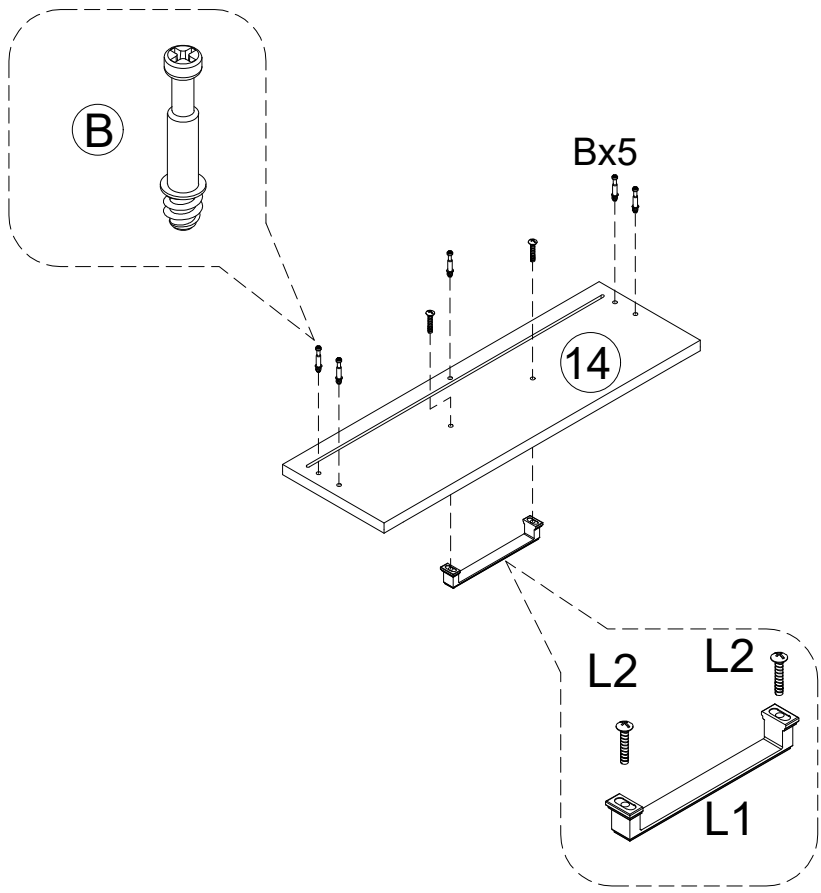
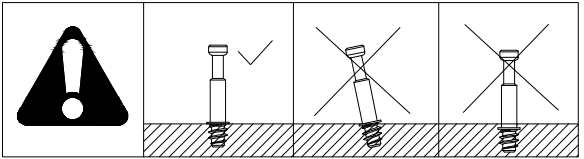
1. Mark the corresponding hole positions where you want to place the furniture;
2. Use a impact drill to drill holes and pay attention to avoid wires and water pipes;
3. Knock the expansion pipes into the wall holes;
4. Place the furniture in the corresponding position and tighten the wall connection device with screws.



Note: If you encounter any issues, please contact customer service.

15


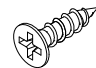
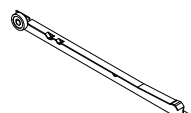
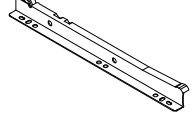
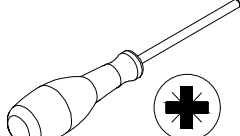
<p>B x 5</p>  <p>L = 25mm</p>	<p>P x 6</p>  <p>Ø4*30mm</p>	<p>L x 1</p>  <p>L1</p>  <p>L2</p>	 
--	---	--	---

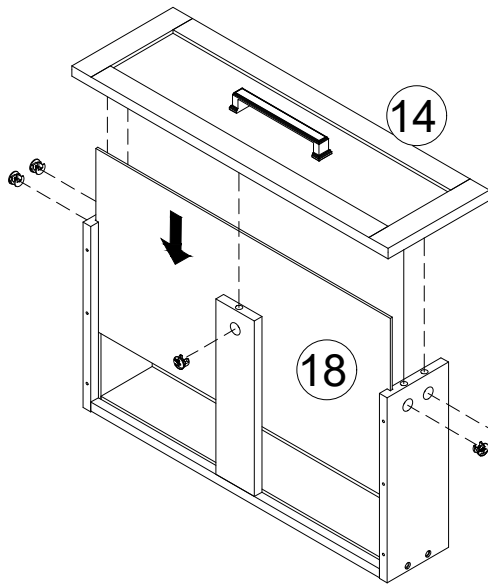
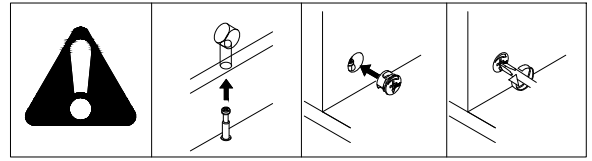


Be mindful of the orientation.

Note: If you encounter any issues, please contact customer service.

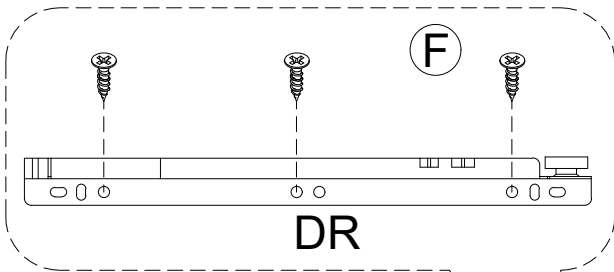
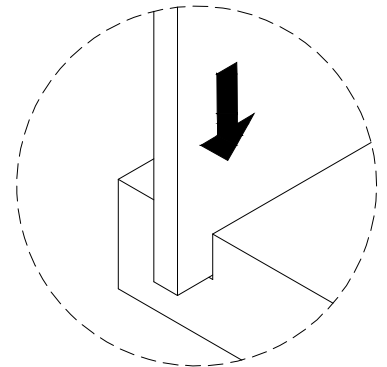
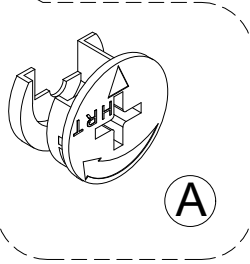
16

<p>A x 5</p>  <p>Ø15*9mm</p>	<p>F x 6</p>  <p>Ø3.5*12mm</p>	<p>DL x 1</p> 	<p>DR x 1</p> 	
---	---	---	--	---

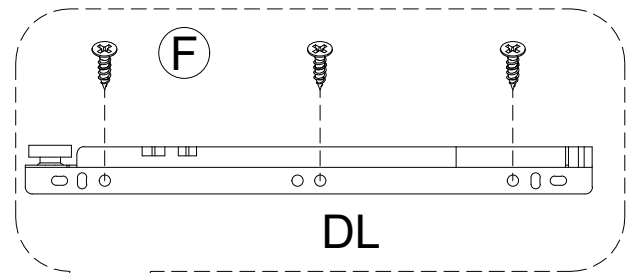


Make sure the bottom piece fits tightly against the back piece before you assemble.

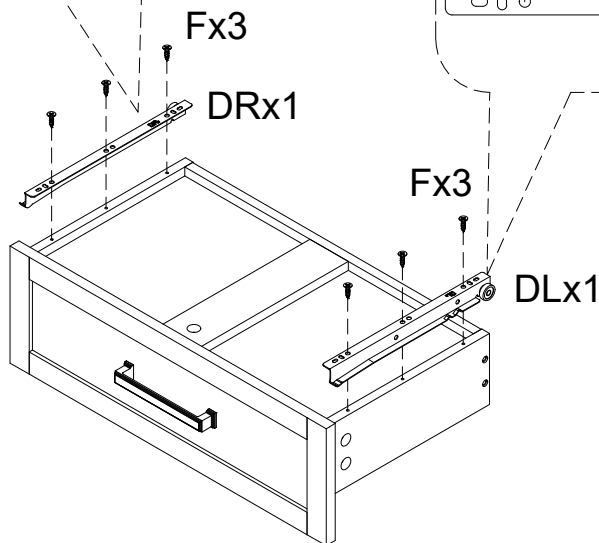
Ax5



DR



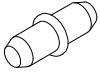
DL



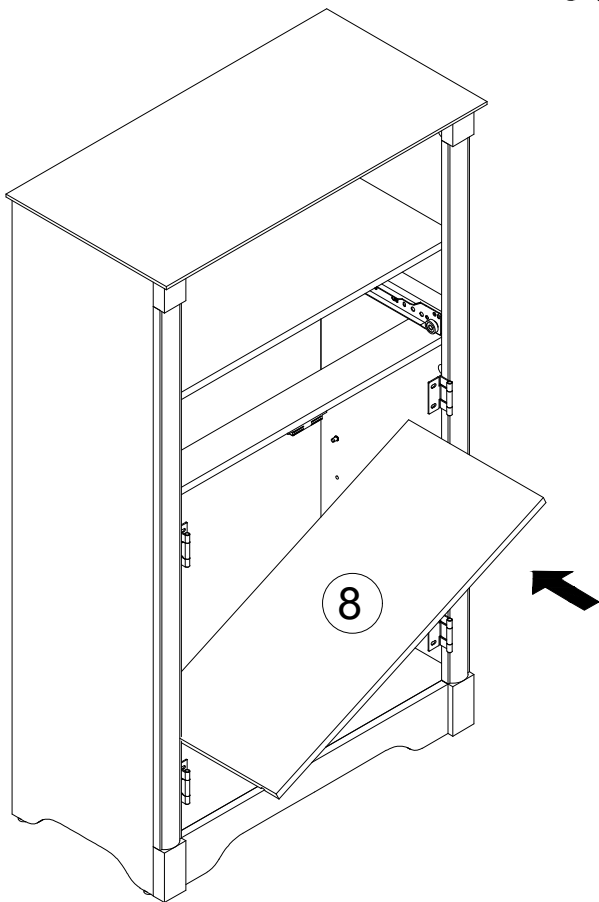
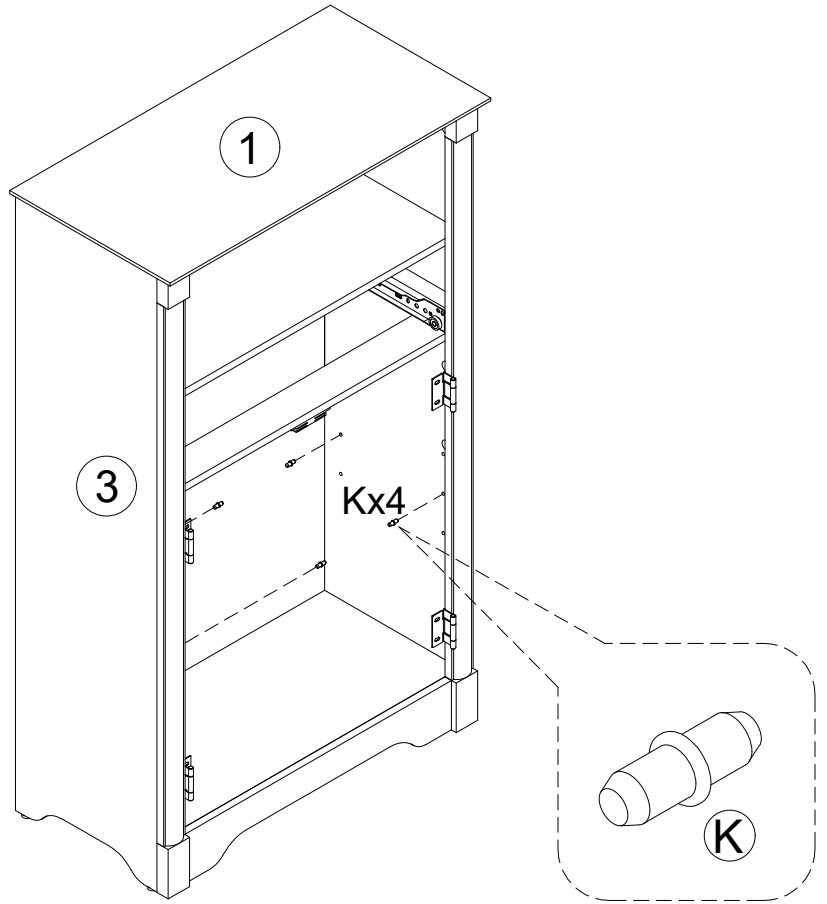
Note: If you encounter any issues, please contact customer service.

17

K x 4

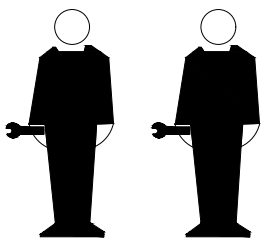
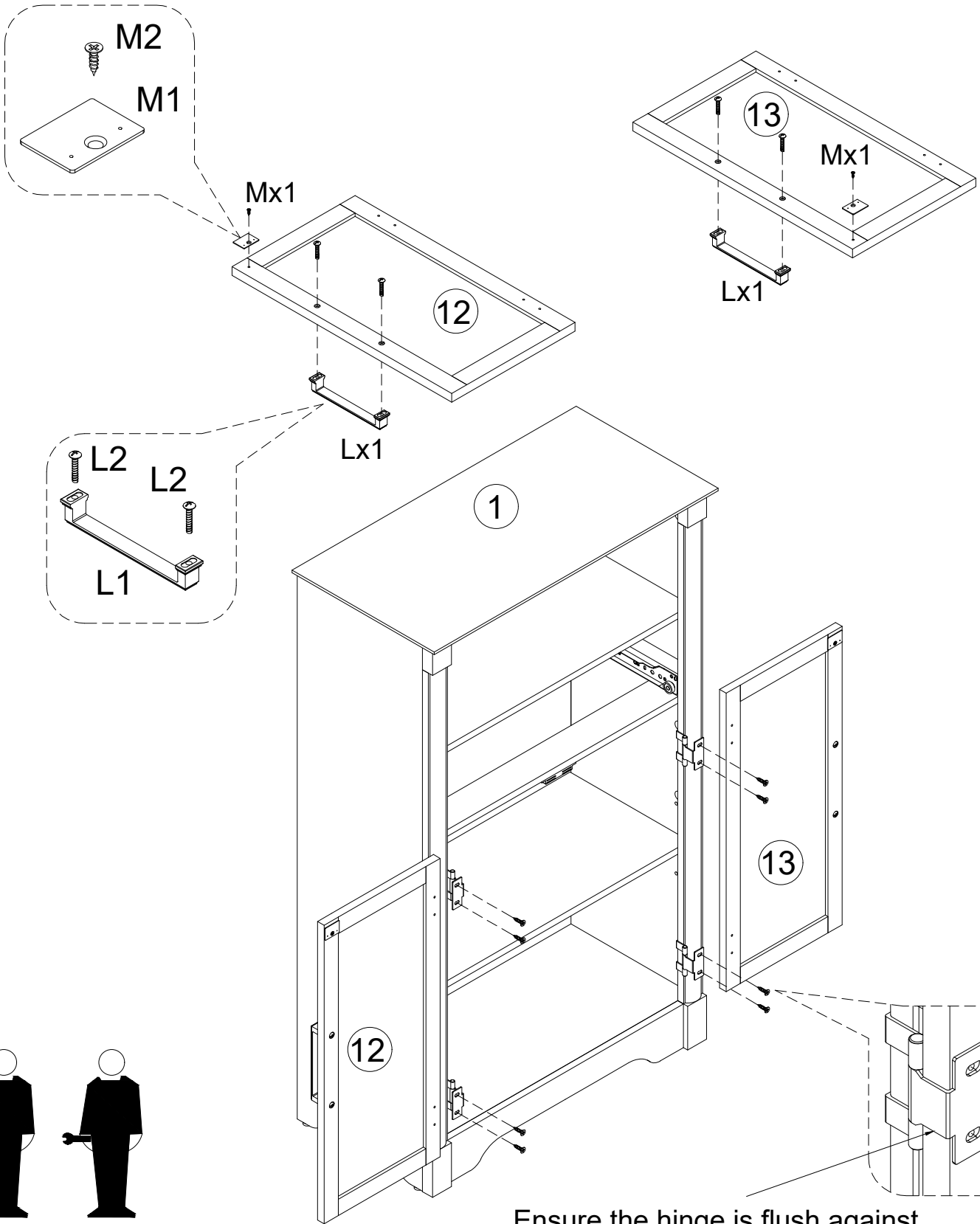
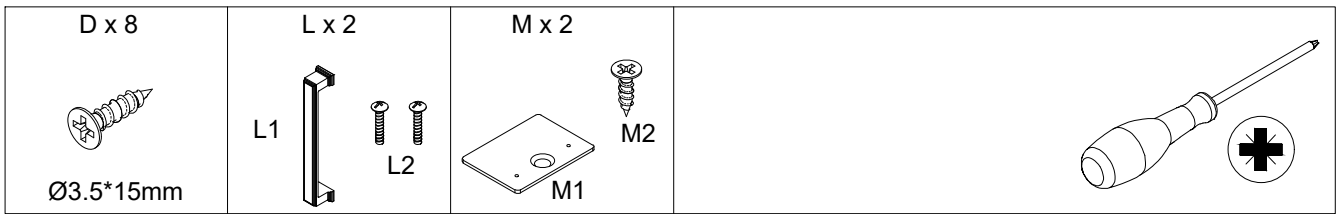


Ø5*16mm



Note:If you encounter any issues,please contact customer service.

18

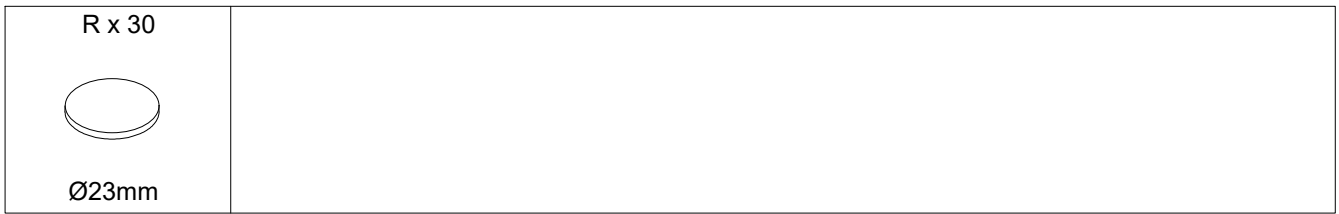


This step requires two people to complete

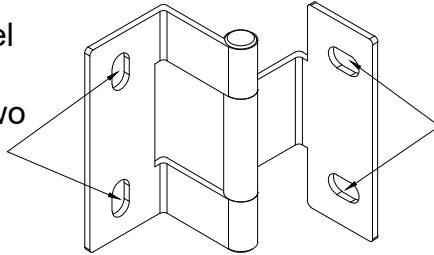
Ensure the hinge is flush against the panel when installing, then secure it with screws.

Note: If you encounter any issues, please contact customer service.

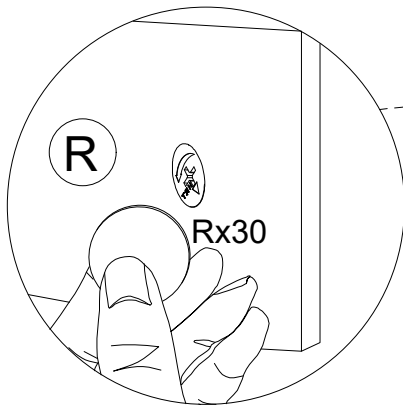
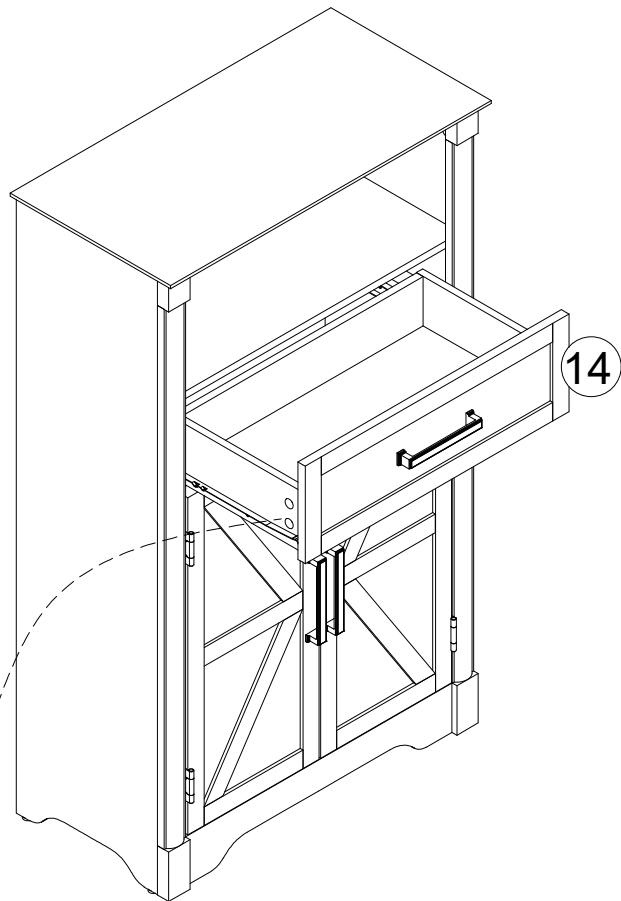
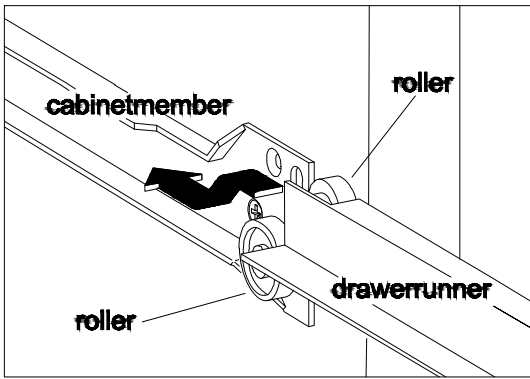
19



If the gap between the door panel and the cabinet is uneven after installation, you can use these two holes to adjust the vertical alignment of the door panel.



If the gap between the door panel and the cabinet is uneven from left to right after installation, you can use these two holes to adjust the horizontal alignment of the door panel.



Note: If you encounter any issues, please contact customer service.