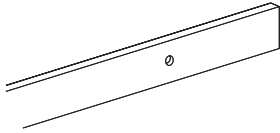


Barn Door Hardware Instructions

kit component

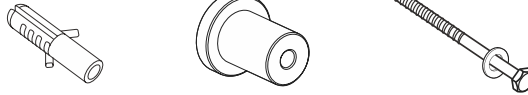
1

(x1) Track



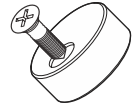
2

10*50mm Anchor (x5) Wall spacer (x5) 5/16 (8mm x 90mm) Wall Screw (x5)



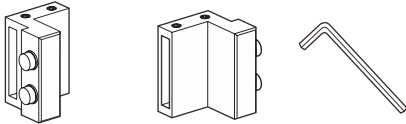
3

(x2) Anti-jump Block



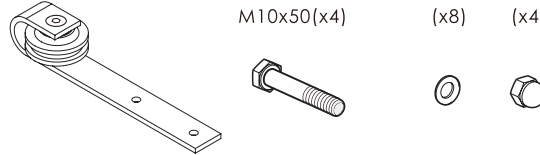
4

(x1) Right Stopper (x1) Left Stopper Allen Key



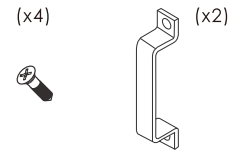
5

(x2) Straight Strap Bolts for 35-40mm door M10x50(x4) Washers (x8) Nut (x4)



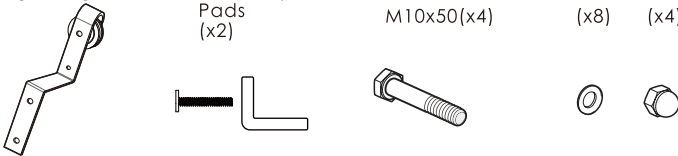
6

Nut (x4) Door Handle (x2)



7

(x2) Right Angle Roller Anti-jump Pads (x2) Bolts for 35-40mm door M10x50(x4) Washers (x8) Nut (x4)



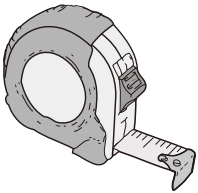
8

(x4) #8 (4.2mm x 25mm) Floor Screws 1/4 (6mm) Floor Anchor (x4) (x2) Internal Floor-Mounted Door Guide



Tools Required

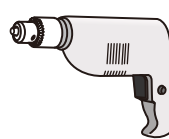
Tape Measure



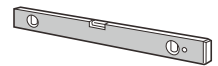
Wrench



Cordless Drill



Level



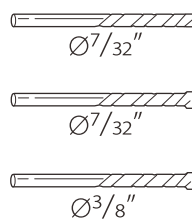
Pencil



Phillips Screwdriver



Drill Bit



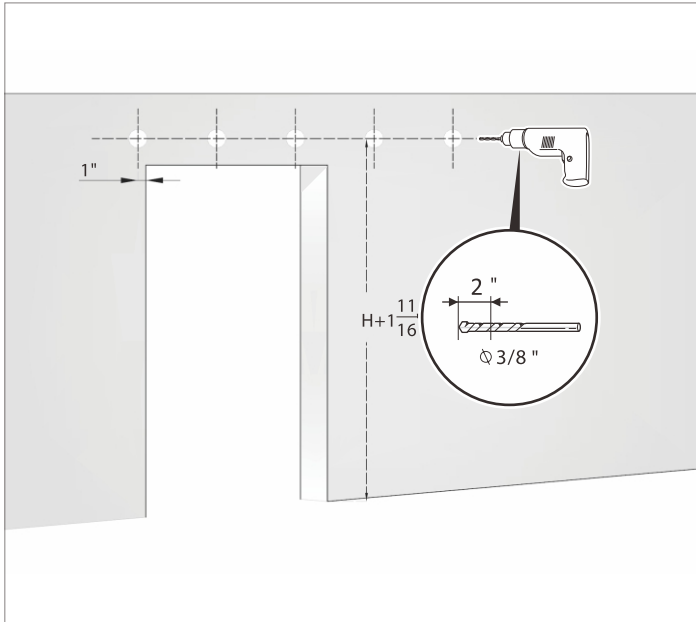
Step 1

Drill the marked holes with drill bits.

Notice: The hole sizes of the 2 walls are different.

CONCRETE Wall Preparation (A)

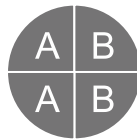
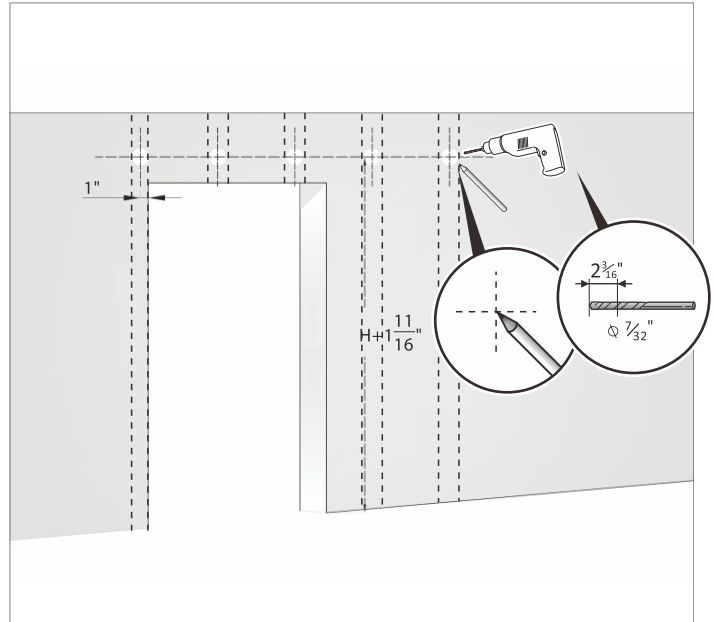
Use your guide marks to position the track in place, ensuring that it is level. Mark the mounting holes on the track using a pencil. Then, pre-drill $\frac{3}{8}$ " holes into the concrete according to your marks.



DRYWALL Wall Preparation (B)

Drill the pilot holes directly with the drill bit which is smaller than $\frac{7}{32}$ "

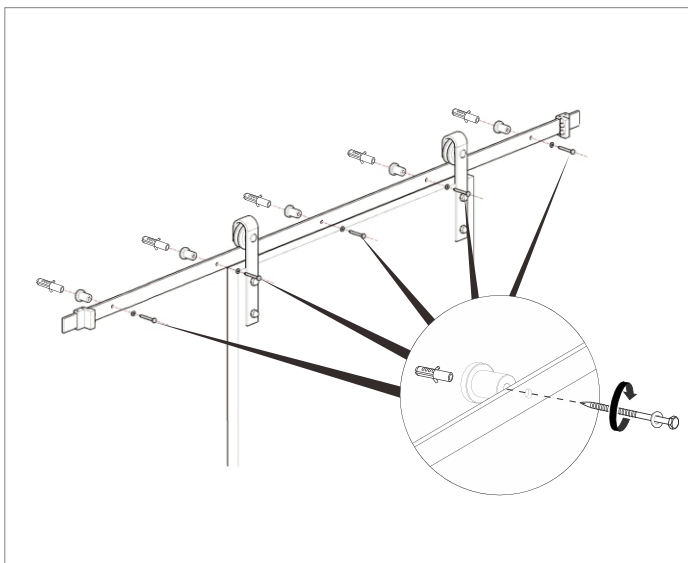
Note: Drill holes on the wooden frame inside the drywall. The distance between each pre-drilled hole is 16" and can be directly aligned with the wooden frame during drilling.



Step 2

CONCRETE Track Installation (A)

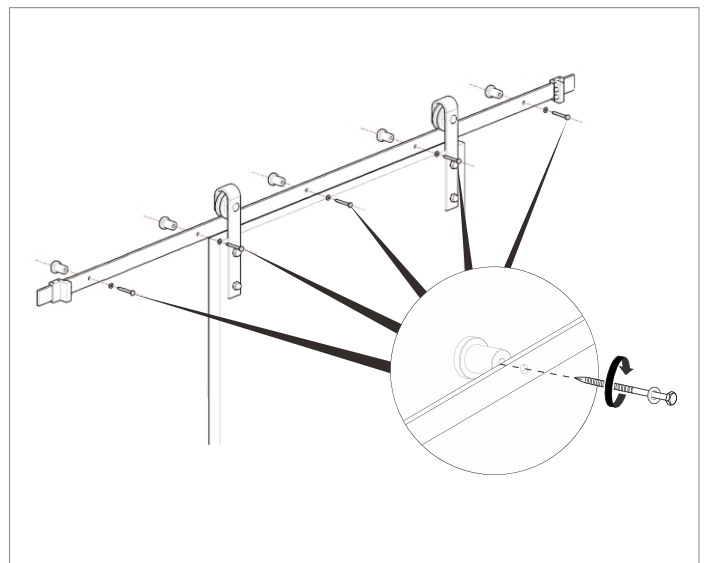
Install the anchor to holes on the concrete wall first, then insert lag bolt to wall spacer and anchor, and take care to install correctly, securing with a wrench.



DRYWALL Track Installation (B)

When installing into the wall, insert using the provided wall screws. Align each spacer to the track holes, inserting spacers and screws (with washers), securing with a wrench.

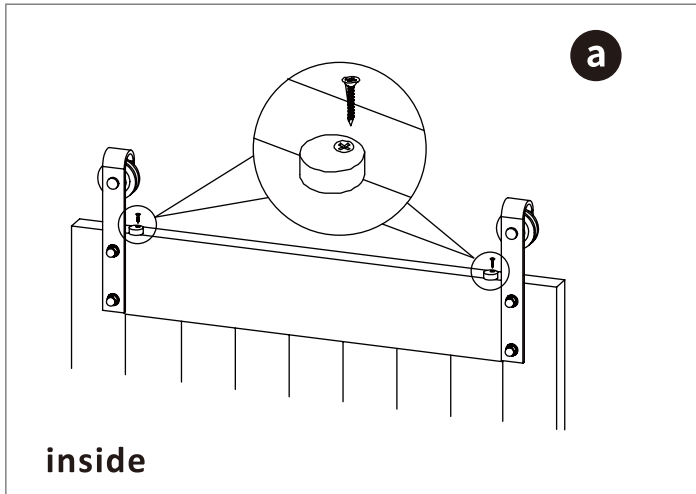
Note: It would be preferable to screw the screws into the wooden frame inside the drywall.



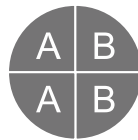
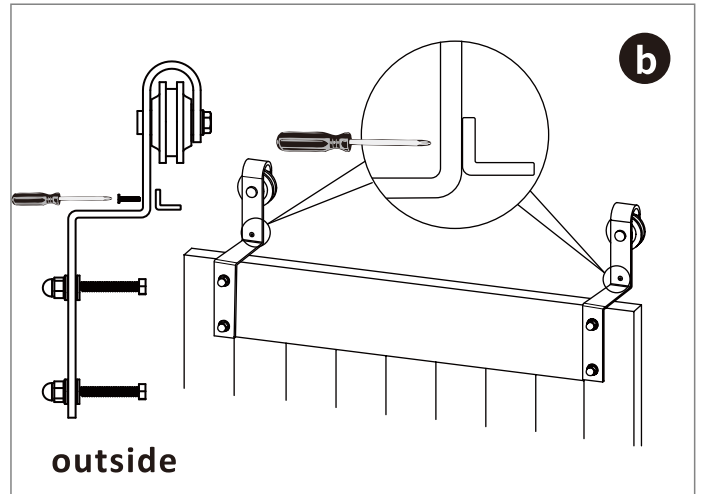
Step 3

Install anti-jump pad

a. The **inside** door should install the round anti-jump pads very close to the hanger as shown in the picture. The screw is near the front edge of your door (recommended : drill pilot hole to avoid splitting). Do not over tighten.



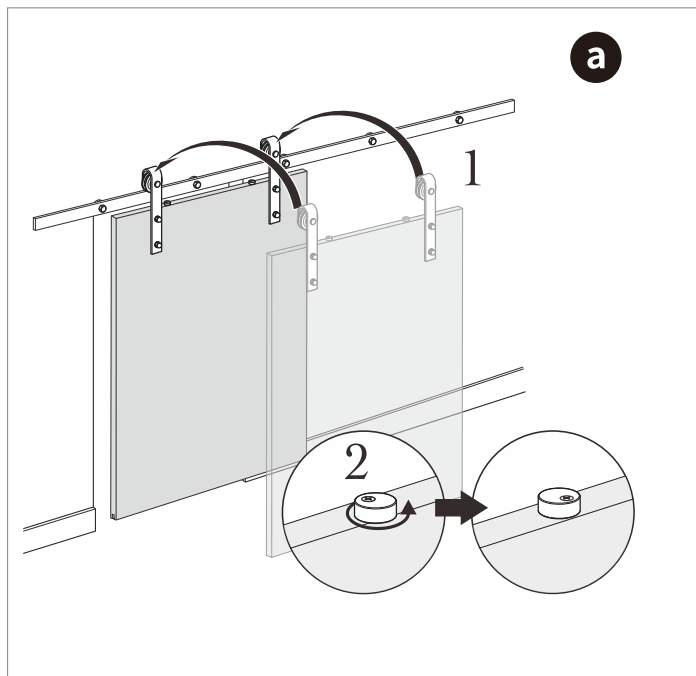
b. The **outside** door has the special anti-jump pads. you could install and adjust it with the tools. (Note: Anti-jump Pads need to be removed before hanging the door)



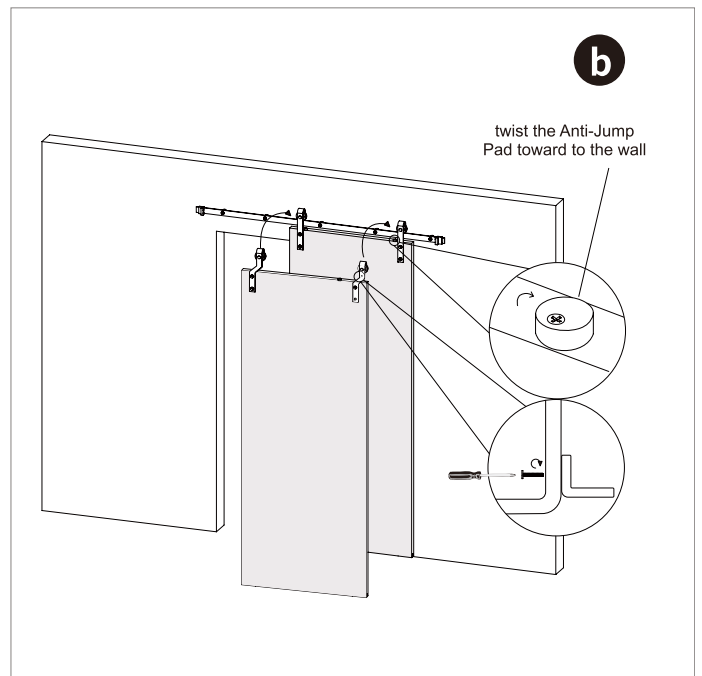
Step 4

Hanging the Door

a. Place the assembled door onto the secured track and rotate each anti-jump bumper so that it provides a buffer between the track and the door. Test for proper operation by sliding the door side-to-side.



b. Hang your Steel Hangers on the Track and then twist the Anti-Jump Pad toward the wall so that it is under the Track.

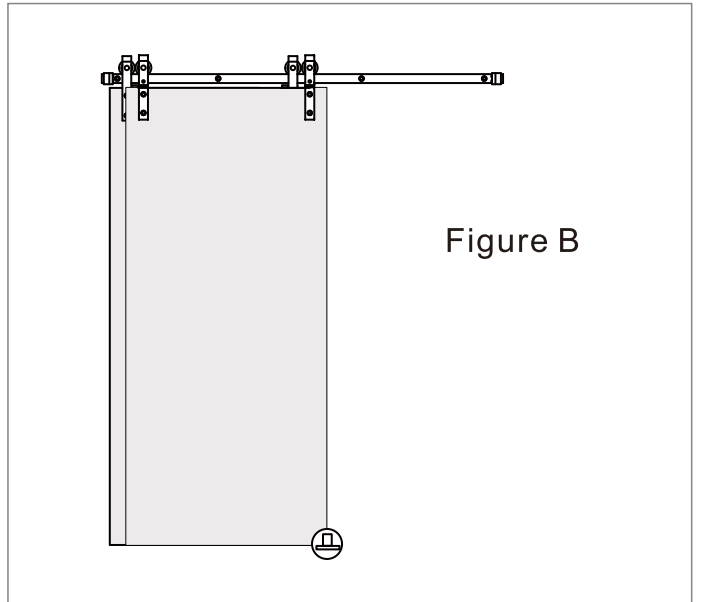
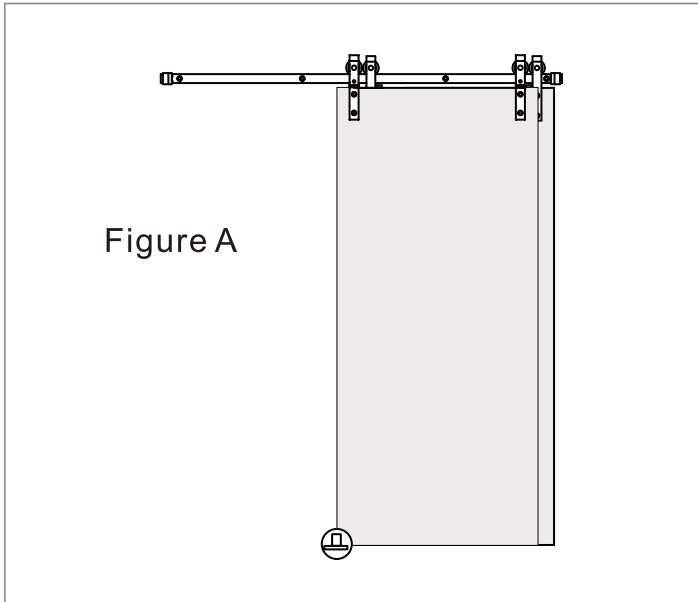


Step 5

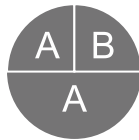
Install the Floor Guide

Outside Door: Slide the door all the way to the far right and install the floor guide of the outside door, as shown in Figure A.

Inside Door : Slide all the doors to the far left and install the floor guide of the inside door, as shown in Figure B.



Step 6



Adjust the Door Stopper

Adjust the stopper, the installation is over.

