

# 142\*210MM风琴折 128g铜版纸

## Motion sensor faucet

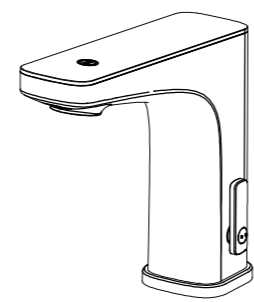
User Manual  
Home Appliances  
Basin sensor faucet



### Notes:

- The dirt and impurities in the pipe shall be cleaned before installation.
- If the water amount is reduced during use, please take off the filter screen and the bubbler in time for washing and put them back as is.
- Use 4 alkaline AA batteries, positive and negative properly installed. Different old and new batteries or different brands should not be mixed.
- Please wipe the induction window with a clean dry soft cloth.
- The sensor window indicator will flash every 3-4 seconds when the battery is low. Please replace the battery in time.
- When the battery power is exhausted, the water outlet is automatically closed.

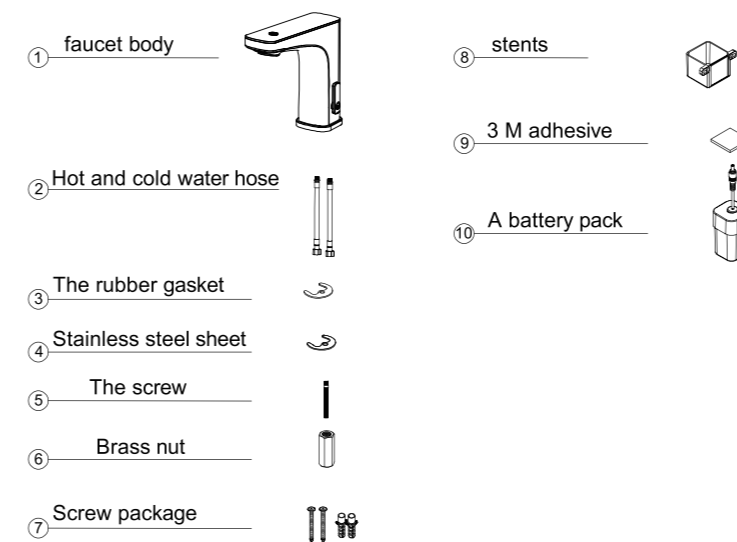
### Motion sensor faucet



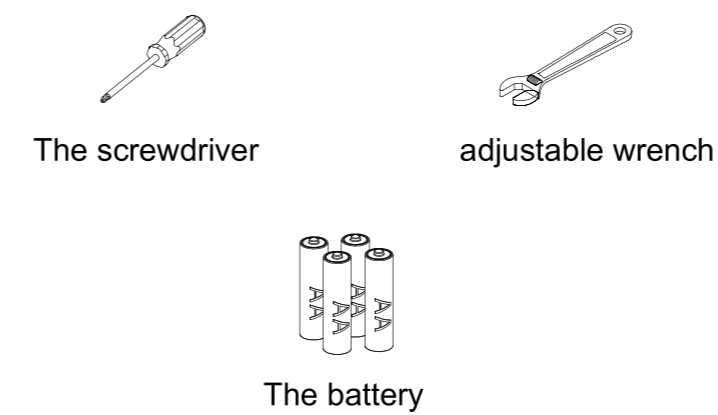
Single hole installation

1

### Parts included

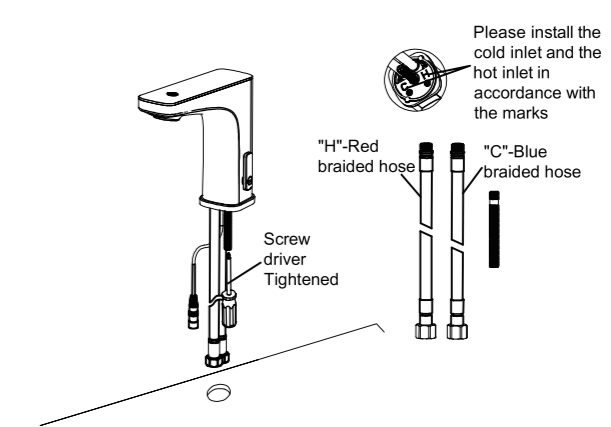


### Tools you may need



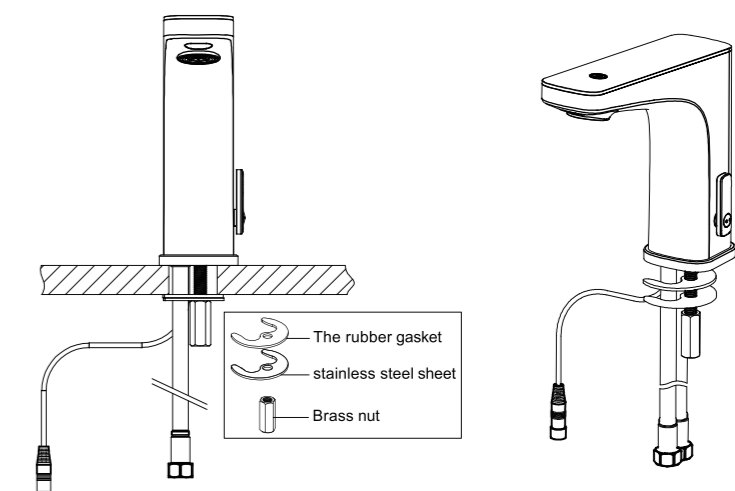
2

1



For 1-hole sink. Install the hose and screw on the faucet. Put the hose and data line into the faucet mounting hole and fix the faucet on the sink

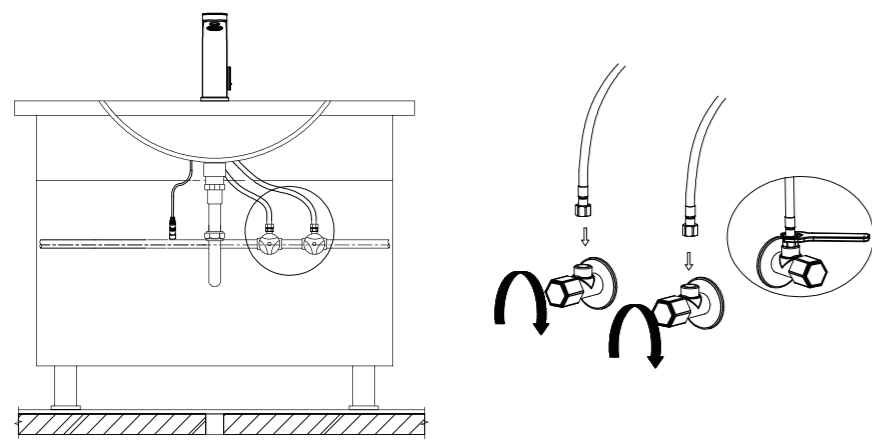
2



Slide the rubber gasket first, the metal washer second. Then install the copper nut onto the screw. Tighten the nut using an adjustable wrench

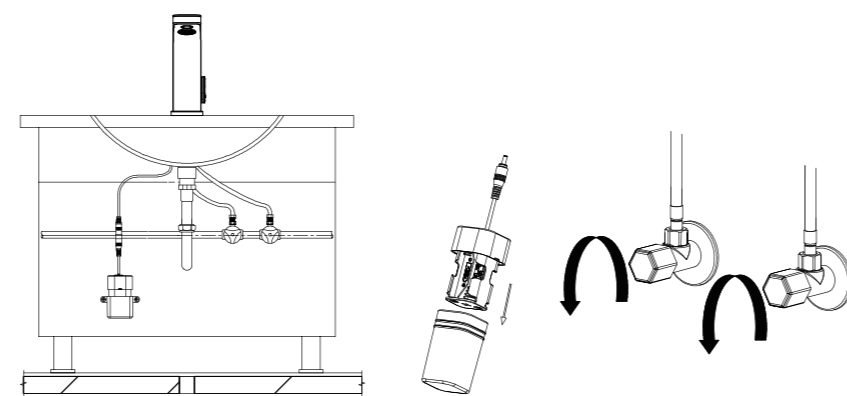
3

3



Connect the hot & cold supply lines onto the matching water valves and secure the connection with an adjustable wrench.

5



insert 4 AA batteries. put the battery pack back in the box. Connect the data cables and secure them hand tight. When installation steps 1-5 are completed, turn the hot & cold water inlets back on.

7

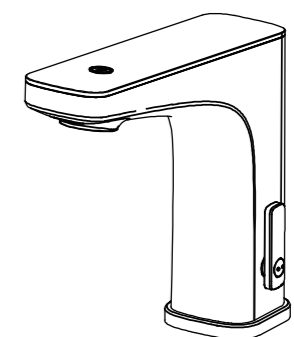


When the hand leaves the sensing range, the tap automatically turns off the water

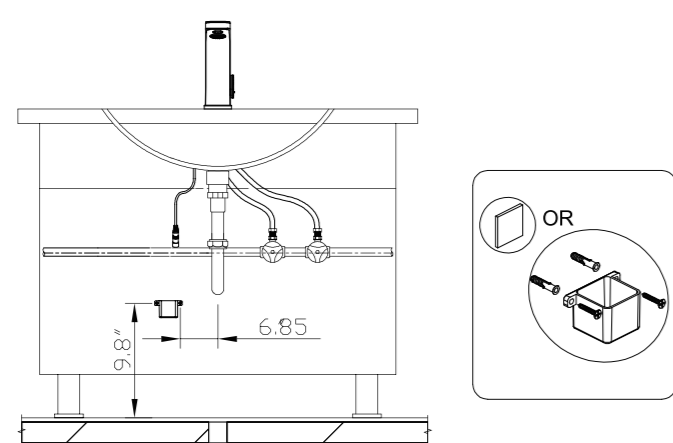
## Motion sensor faucet

### Feature:

- Drip-free Ceramic cartridge
- Glass touch sensing switch
- infrared sensor and Temperature display function
- Automatic faucet off function



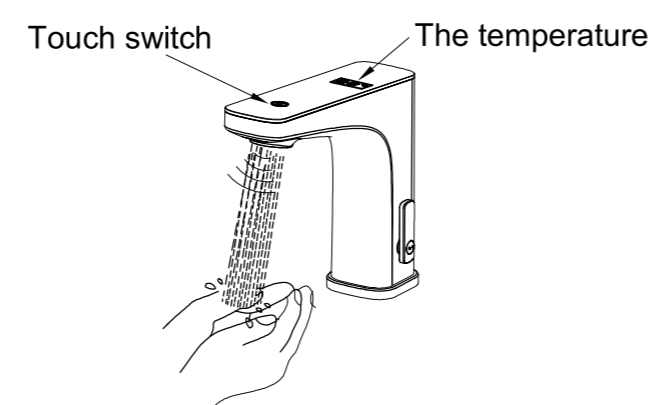
4



Secure the battery box bracket. It can be secured to the wall using 3M glue or screws

4

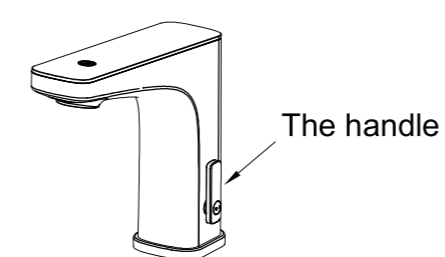
6



After product installation. When the hand reaches the sensing range. The faucet will turn on automatically and display the temperature. Automatically turn off the faucet after one minute of continuous drainage. Touch the switch faucet with your hand to automatically release water, display the temperature, touch again, turn off the faucet. Automatically turn off the faucet after three minutes of continuous drainage

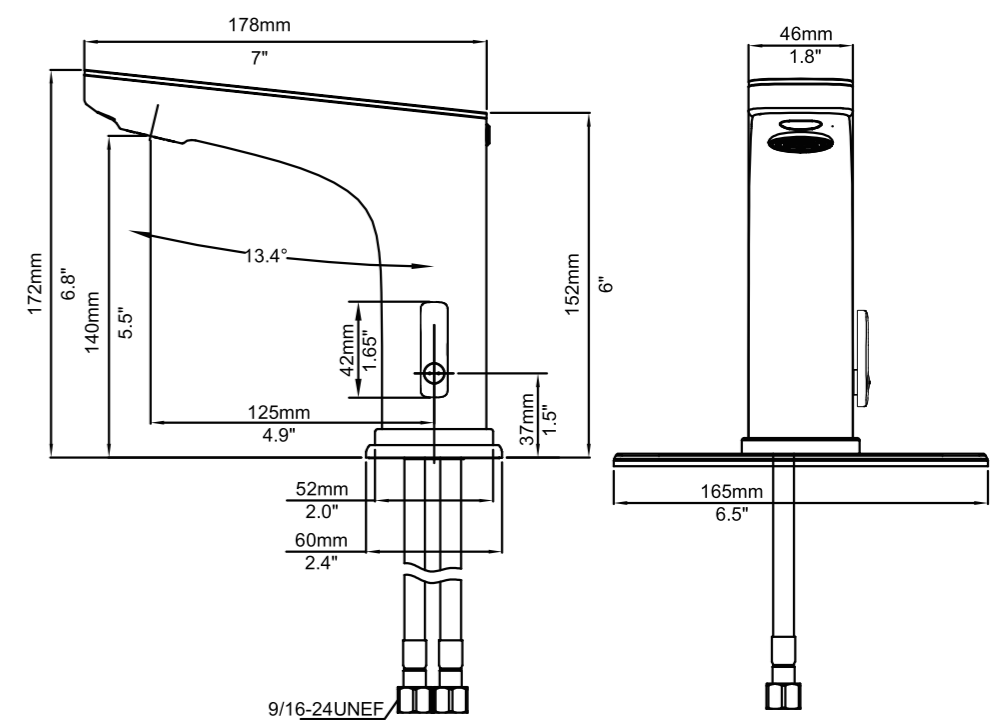
5

8



Set water temperature to desired setting the water temperature changes by manipulating the handle.

6



7