

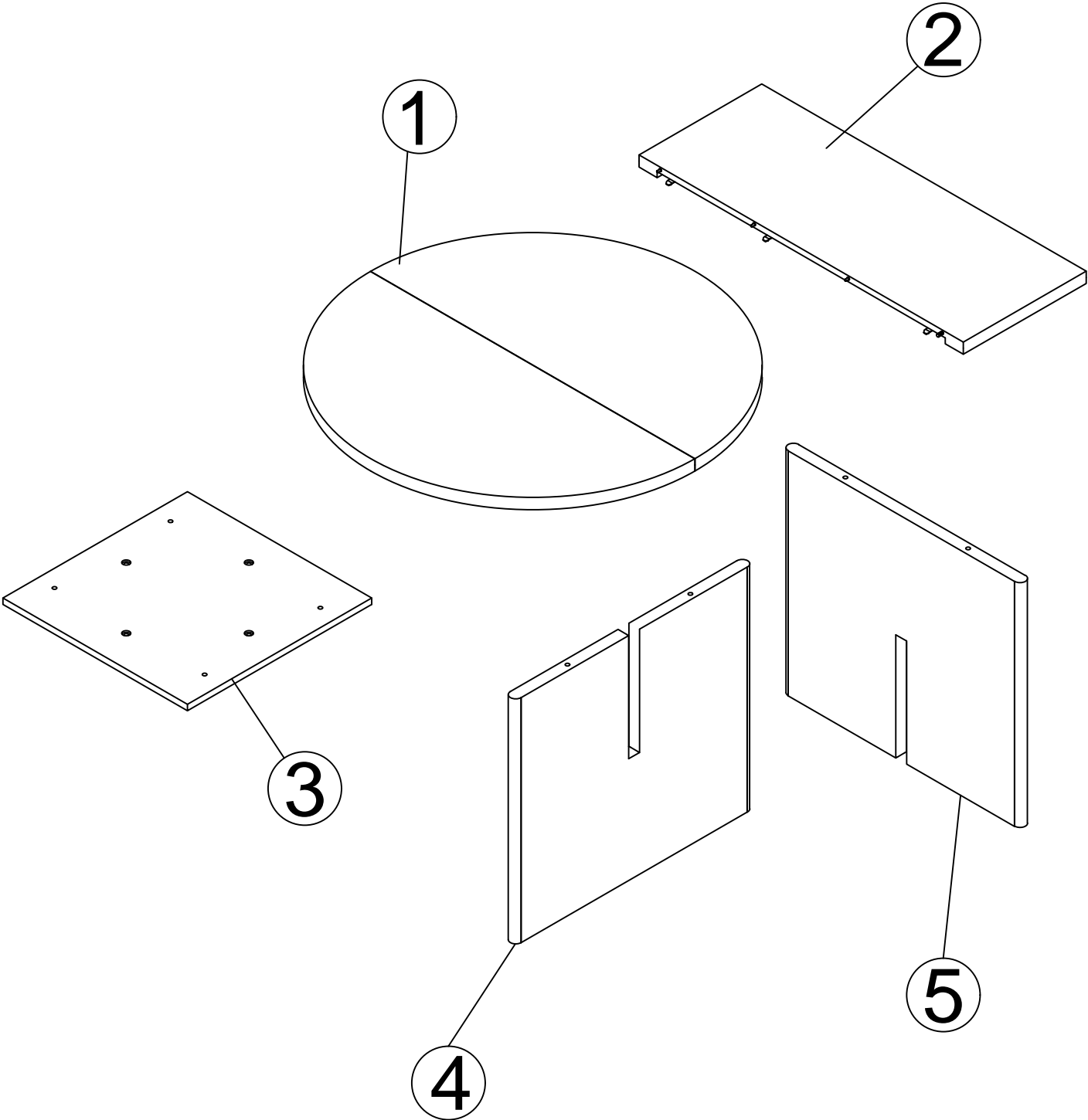
Attention: Do not tighten the bolts and screws before the allen bolts are in place

**USER'S MANUAL**

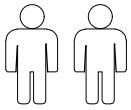
**Dining Table**

20NDVNDT02

**DETAIL:**



## BEFORE YOU GET STARTED, A FEW POINTS



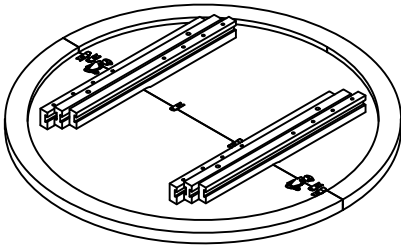
Having a friend to help makes assembly extra-easy



Mind the important safety information

## PLEASE MAKE SURE ALL THE PARTS ARE INCLUDED

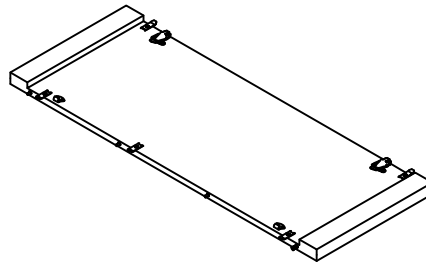
①



TOP PANEL

\*1

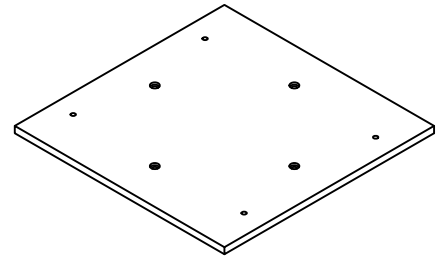
②



LFAF

\*1

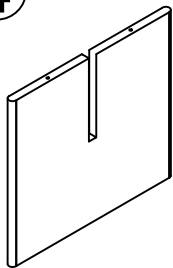
③



JOINT PLATE BETWEEN LEGS AND TABLETOP

\*1

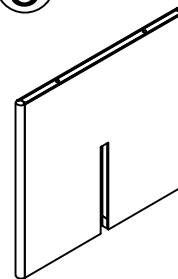
④



LEG 1

\*1

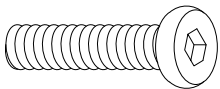
⑤



LEG 2

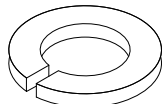
\*1

A



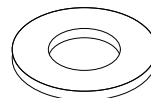
Bolts  
5/16"x35mm  
(8pcs)

B



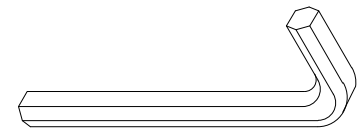
Spring Washer  
Ø8"\*13x1.5mm  
(8pcs)

C



Flat Washer  
Ø8"\*16x1.5mm  
(8pcs)

D



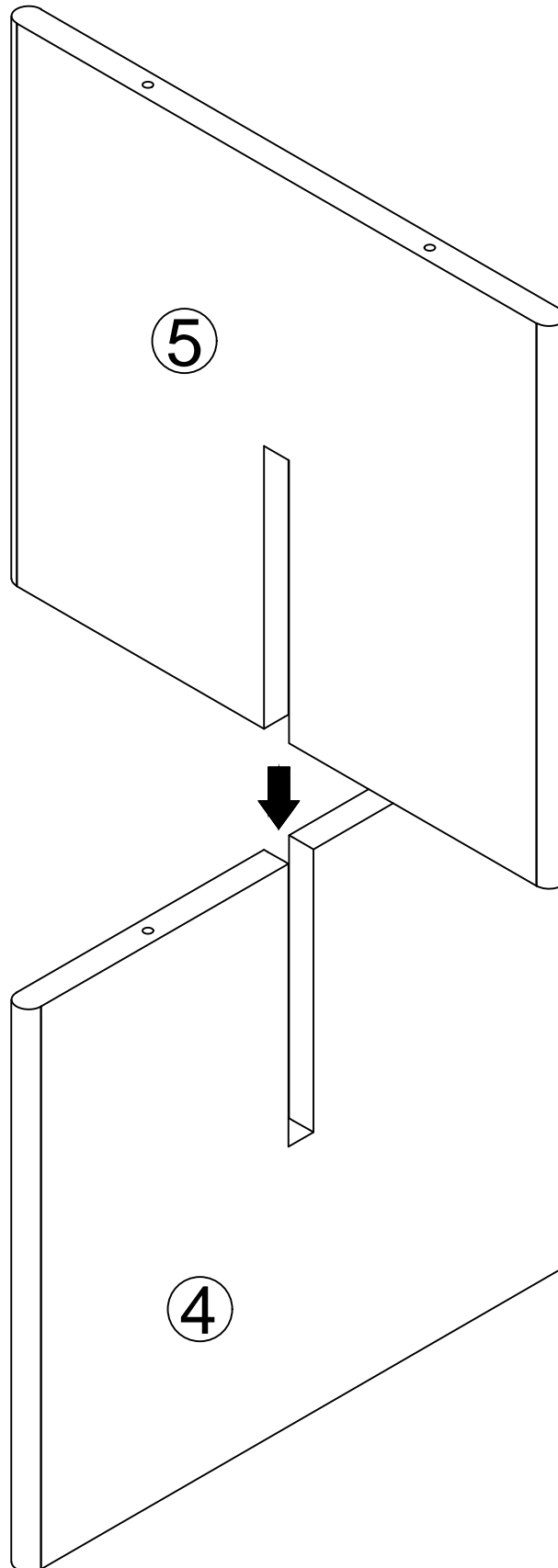
Allen Key  
M4x60mm  
(1pc)

Missing parts?  [hyltech@outlook.com](mailto:hyltech@outlook.com)

## ASSEMBLY INSTRUCTIONS - ATTENTION

### Step 1:

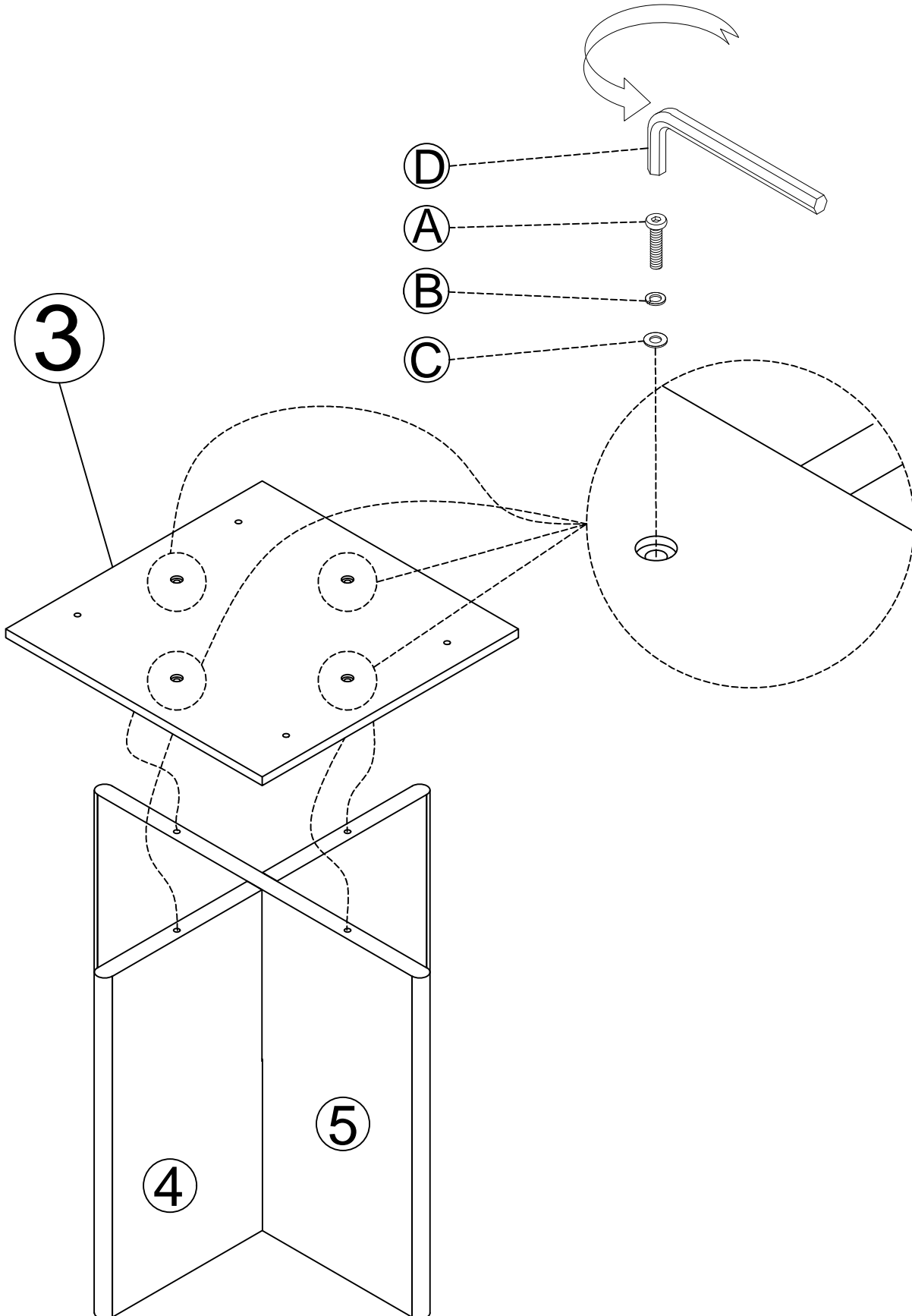
Place all parts on a clean, scratch-free surface.



# ASSEMBLY INSTRUCTIONS - ATTENTION

## Step 2:

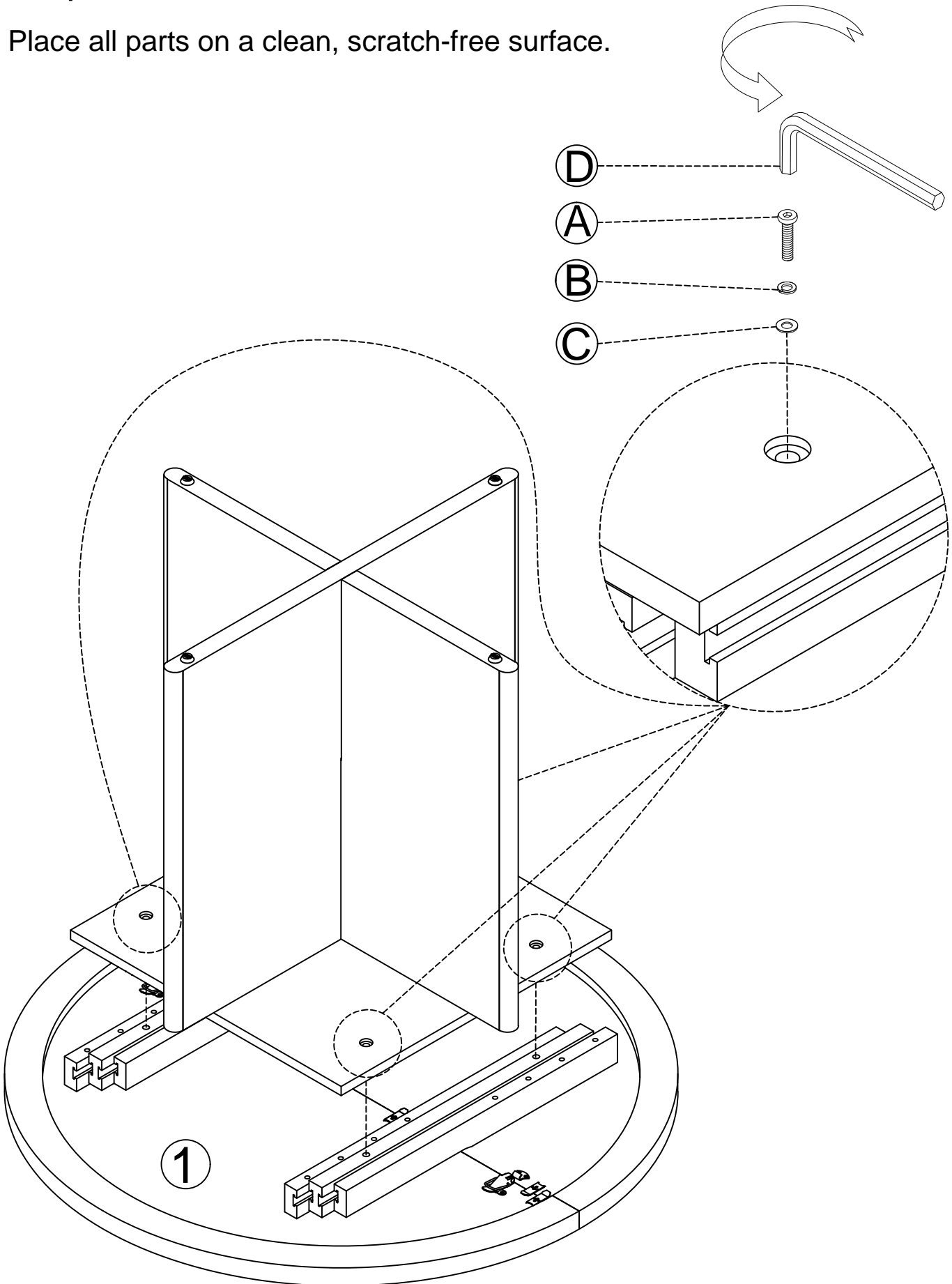
Place all parts on a clean, scratch-free surface.



# ASSEMBLY INSTRUCTIONS - ATTENTION

## Step 3:

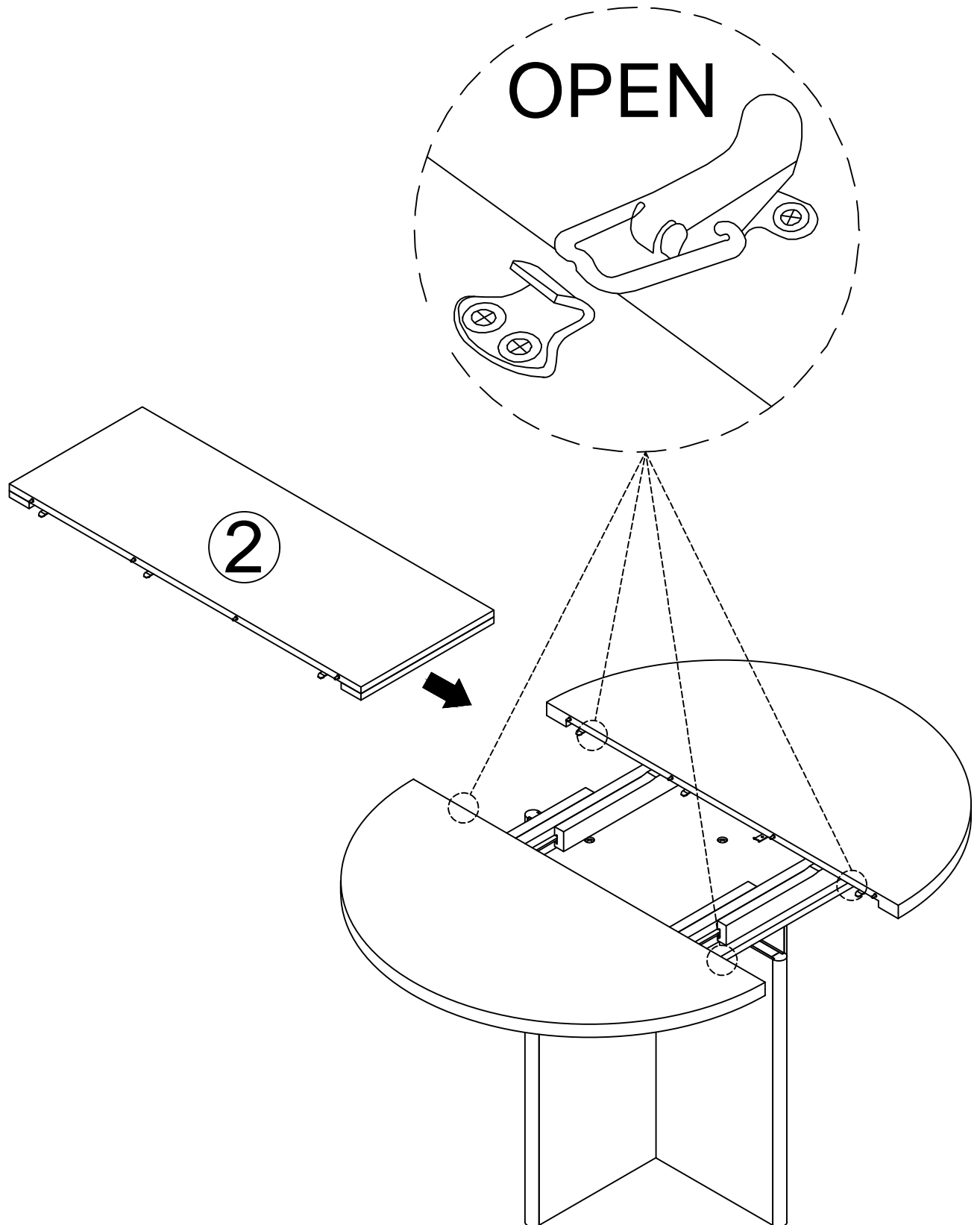
Place all parts on a clean, scratch-free surface.



## ASSEMBLY INSTRUCTIONS - ATTENTION

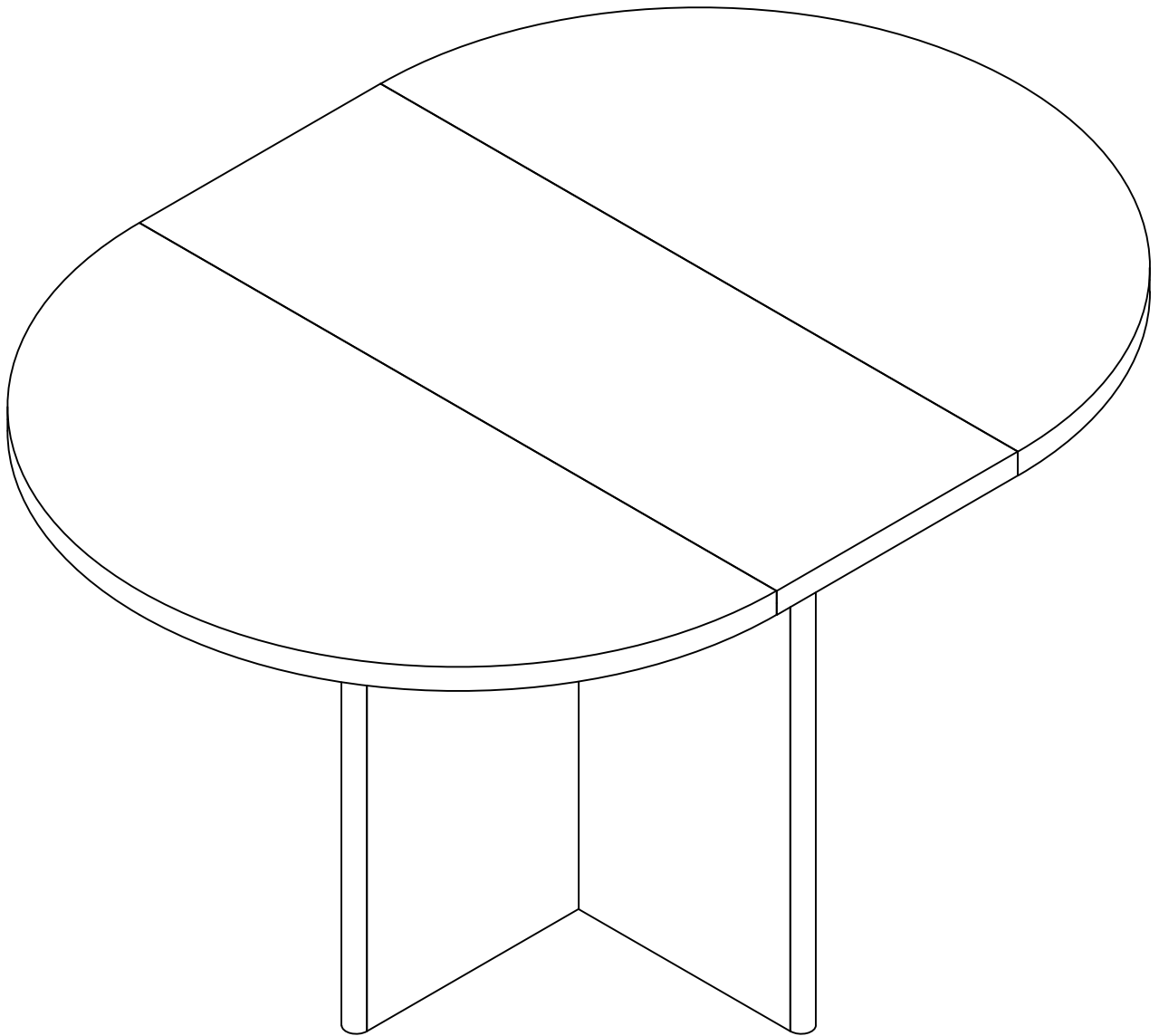
### Step 4:

Place all parts on a clean, scratch-free surface.



# ASSEMBLY INSTRUCTIONS - ATTENTION

Completed:





## WARNING



**Read the instructions carefully.**



**Please follow the assembly steps**

**Safety maximum Weight: 350 LBS**

To ensure proper assembly, follow all steps and use all parts, do not use power tools. Failure to follow this warning can result in serious injury to yourself or others.

Please inspect all items before assembly, if for any reason you need to return this item, please kindly return in its original packaging.

To avoid misalignments, leave the screws loose and do not tighten them until all are in their respective places.

Do not tighten all bolts and screws completely until the entire unit has been assembled and set up.

Do not over tighten or force the screws as they could break, strip, or damage the threads of the holes.

Using the wrong size of screws on a part could result in damage to the screw or the part.

Lubricate all moving parts and tighten all bolts/screws every 6 month or whenever needed.

Do not use if this product become damaged, and/or components are broken or missing.