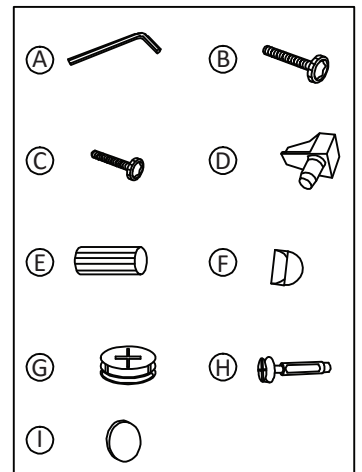
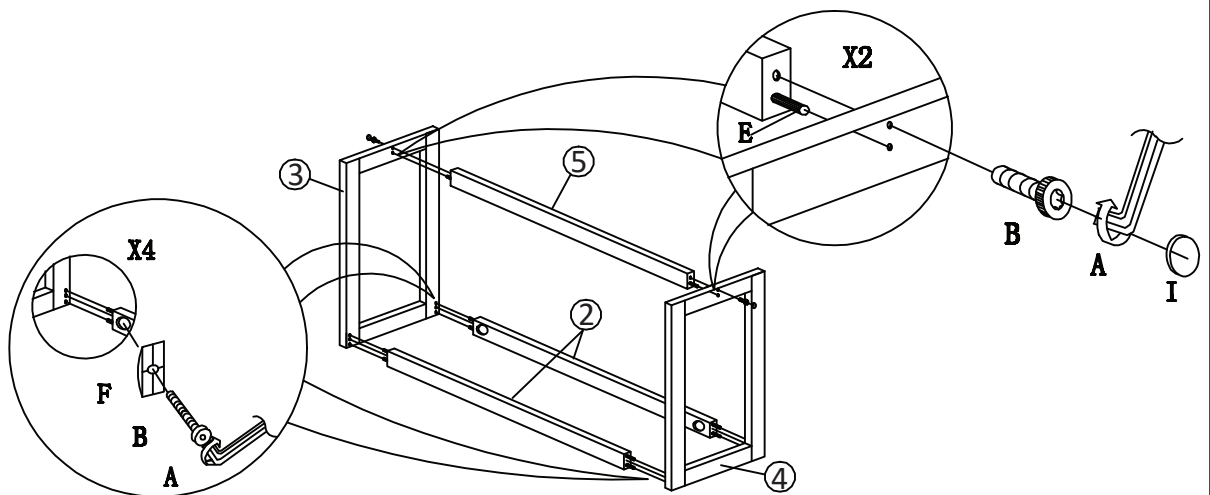


PART KEY		
No.	Qty	Description
1	1pcs	Table Top
2	2pcs	Table Apron
3	1pcs	Left Leg Assembly
4	1pcs	Right Leg Assembly
5	1pcs	Stretcher
6	1pcs	Storage Box Right Side
7	1pcs	Storage Box Left Side
8	1pcs	Storage Box Top
9	1pcs	Storage Box Bottom
10	1pcs	Small Adj Shelf
11	1pcs	Storage Box Back

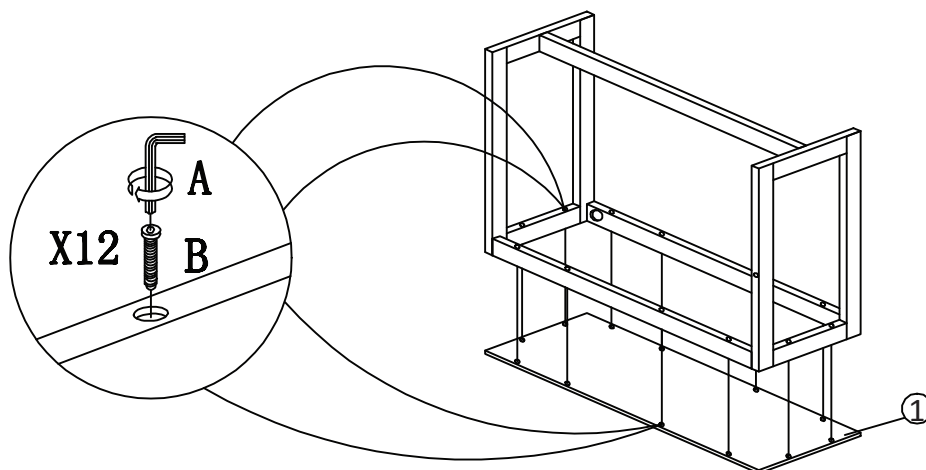
HARDWARE KIT		
NO.	Qty	Description
A	x1	Allen Key M4 x 110mm
B	x18	JCBC Bolt M6 x 50mm
C	x5	JCBC Bolt M6 x 30mm
D	x8	Shelf Pin
E	x10	Wood Carving
F	x4	Half Moon
G	x8	Lag Bolt Lock
H	x8	Lag Bolt
I	x5	Cover



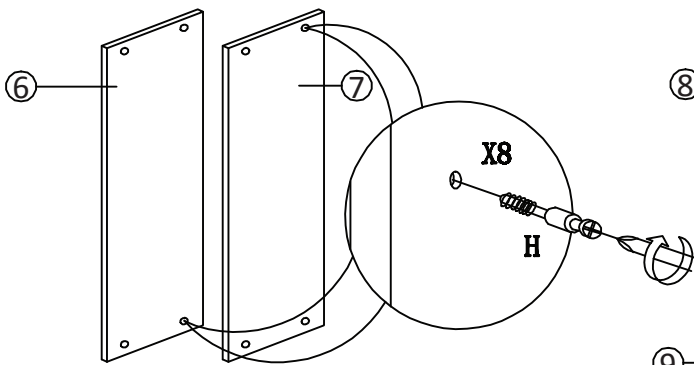
1



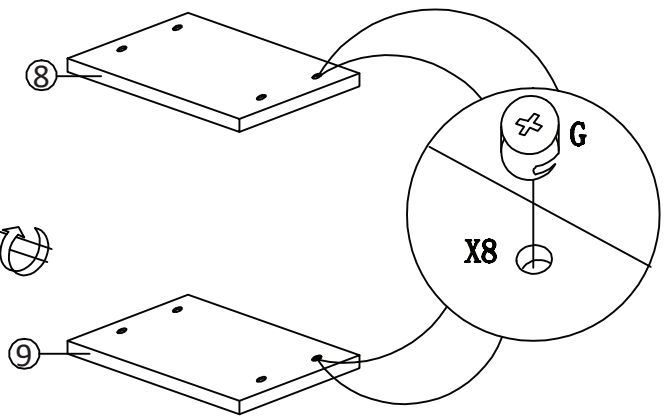
2



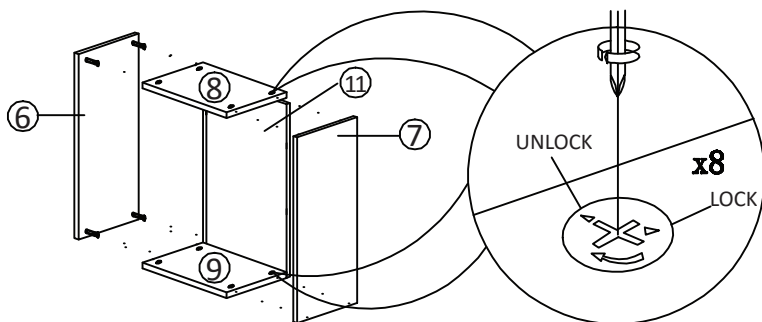
3



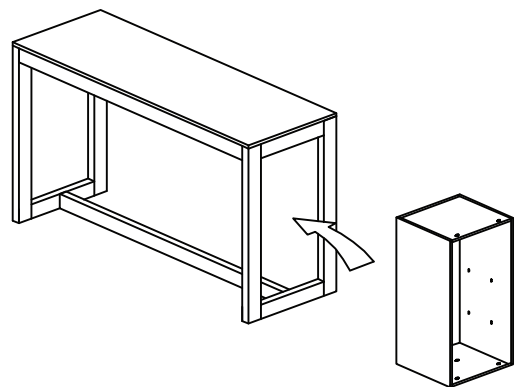
4



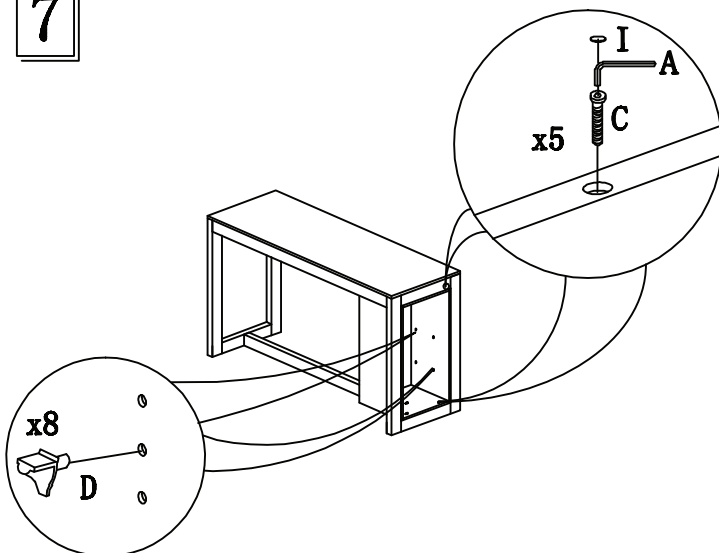
5



6



7



8

