



USER'S MANUAL
Coffer Table

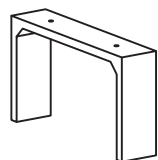
PRODUCT ASSEMBLY



① x1



② x1

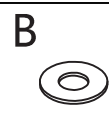


③ x2



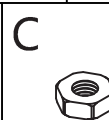
M8*295

X4



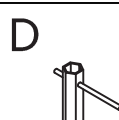
Ø8*18

X4



M8

X4

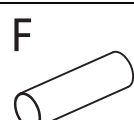


8#

X1



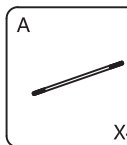
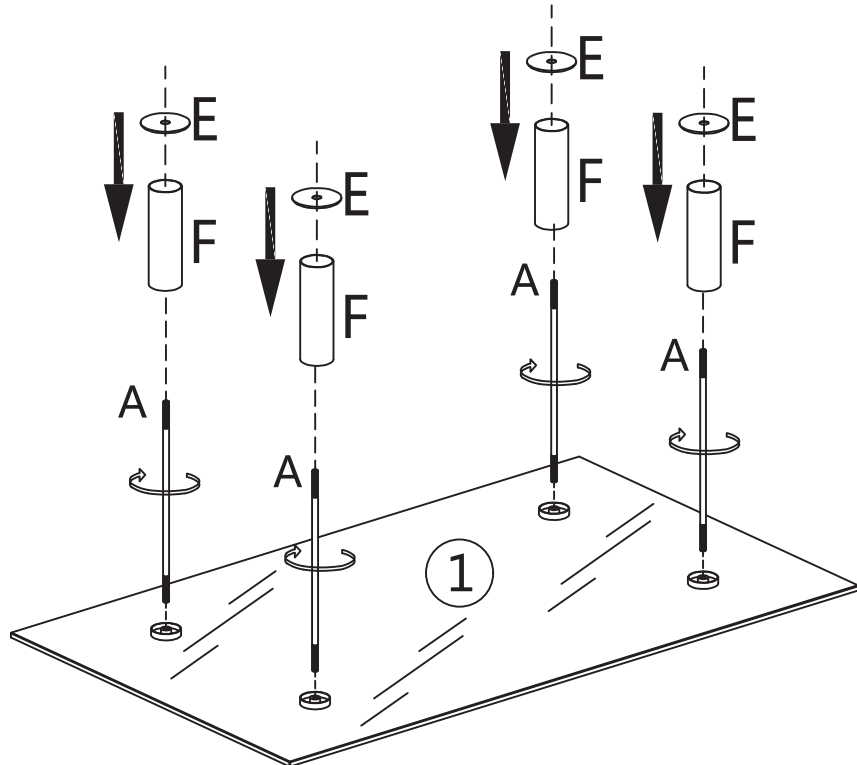
X12



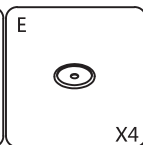
Ø38*125

X8

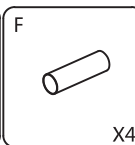
1



X4



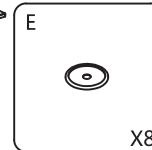
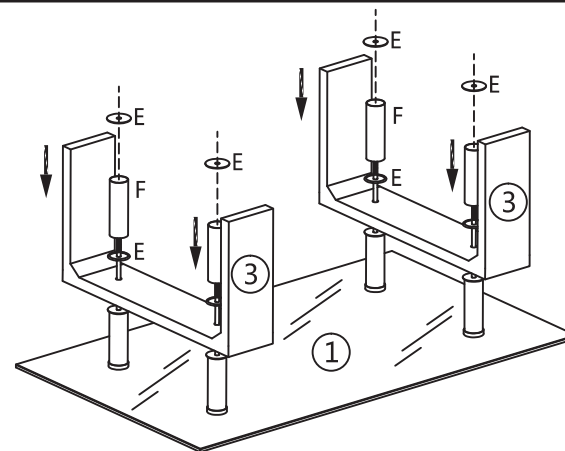
X4



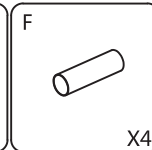
X4

PRODUCT ASSEMBLY

2

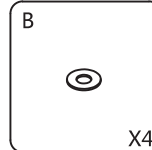
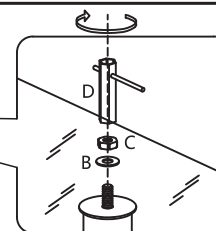
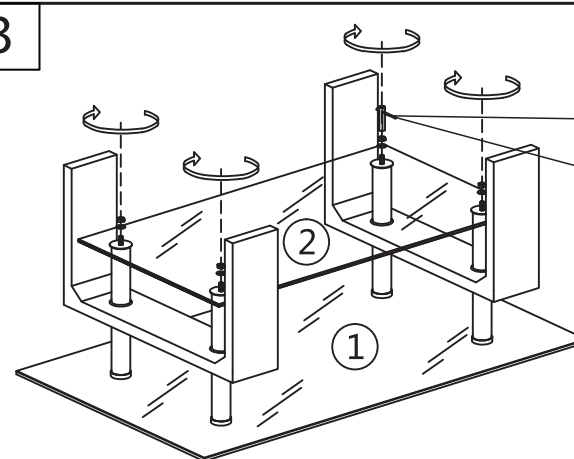


X8

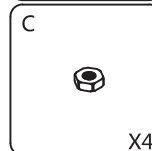


X4

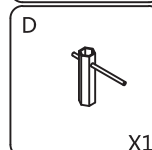
3



X4

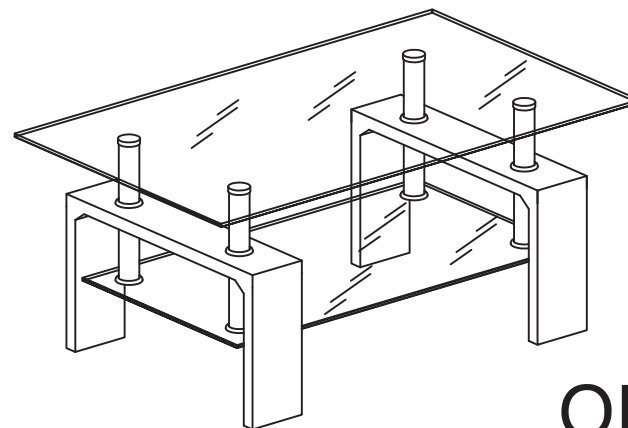


X4



X1

4



OK