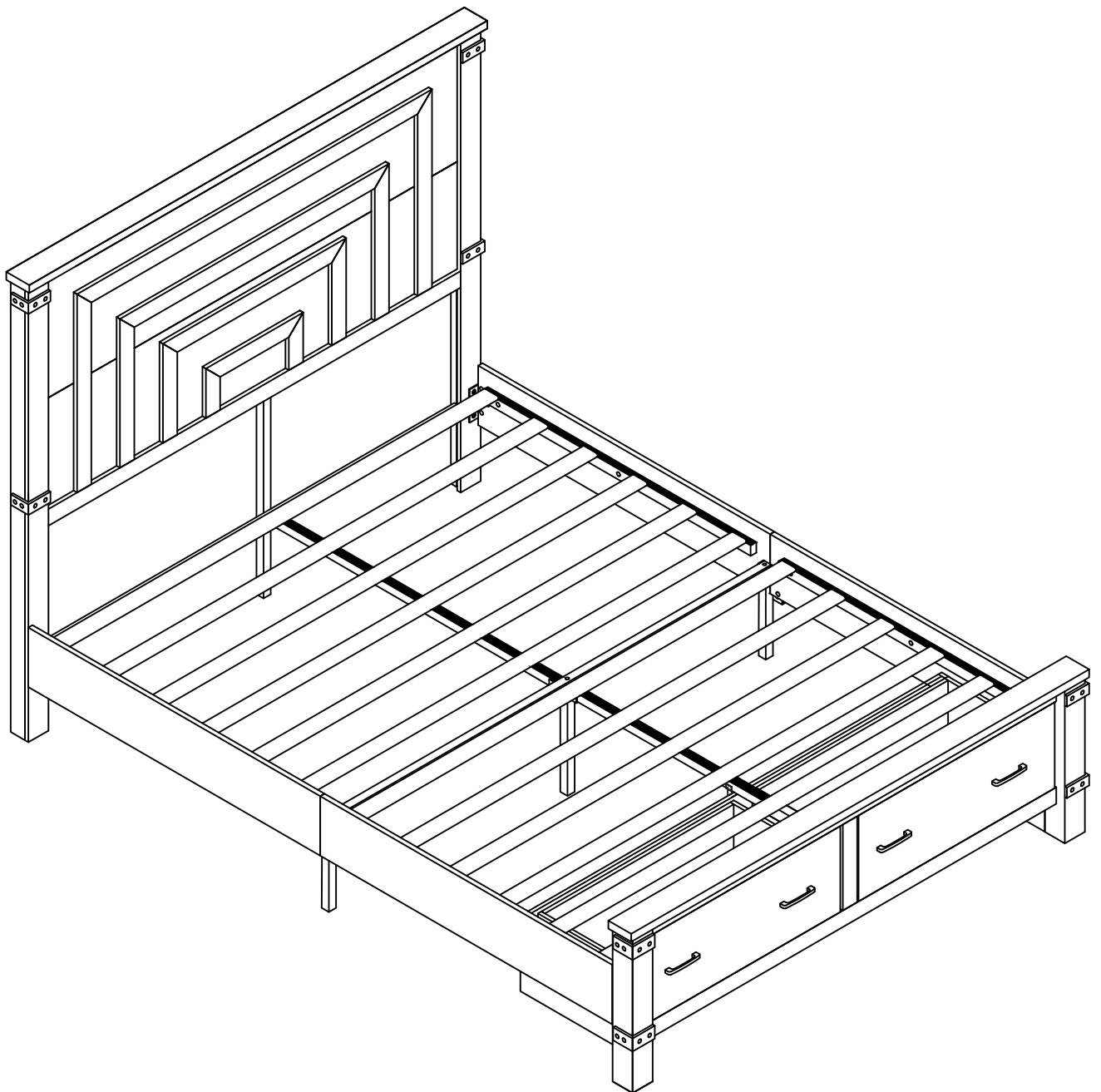
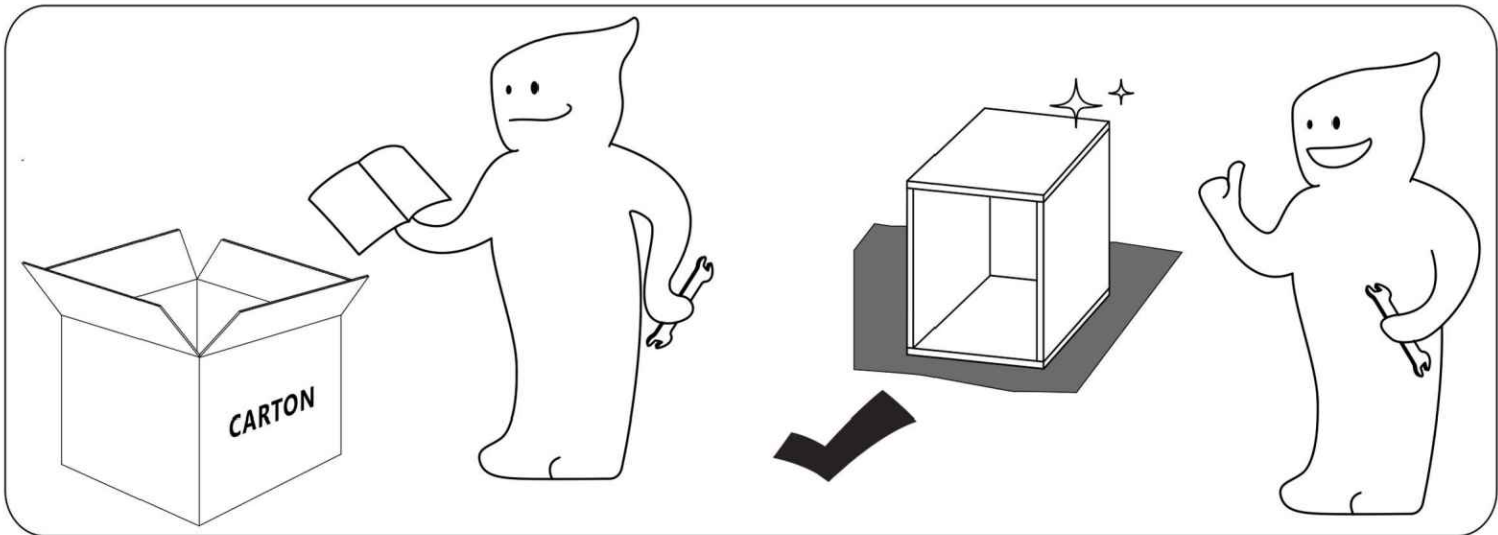
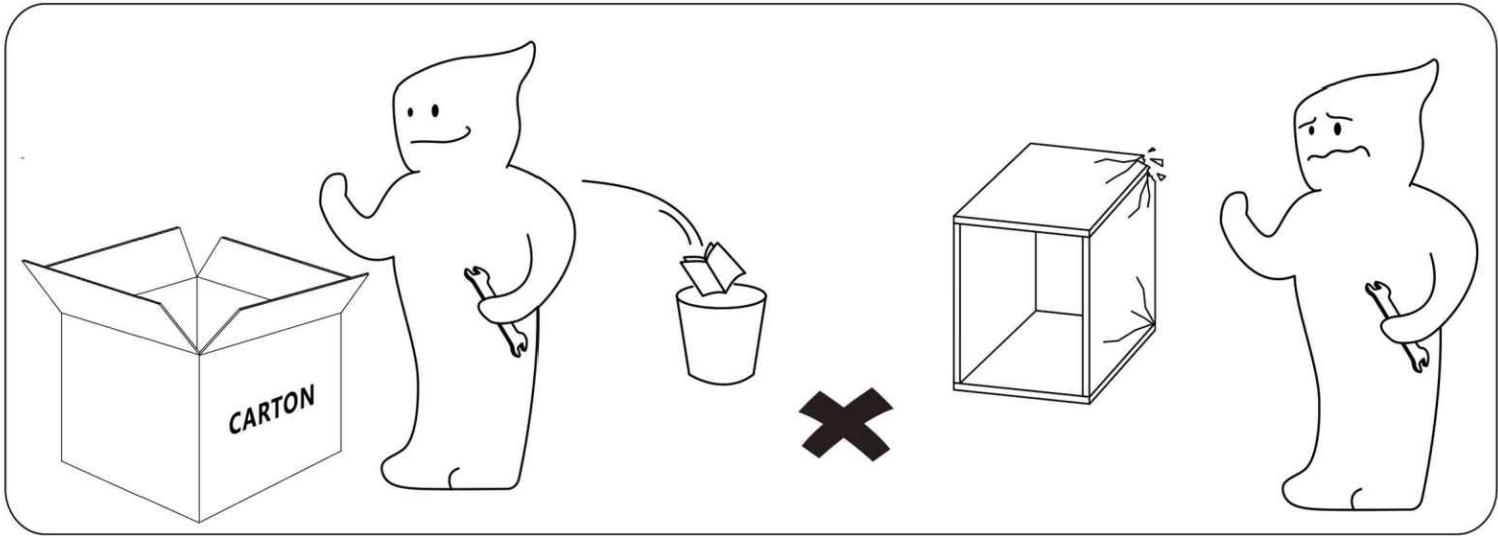


Bed Frame Assembly Instructions



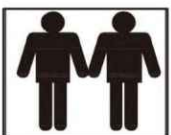
IMPORTANT

Please follow the instruction manuals and use a pad to protect the product during your assembly.



Note:

- 1. Should be assembled on flat ground to keep balance.**
- 2. Before completing the installation, do not tighten the screws.**



For easier and better assembly, **2** or more adults are required.



Safety and Care Advice

Important-Please read these instructions fully before starting assembly

- Check you have all the components and tools listed on the following pages.
- Remove all fittings from the plastic bags and separate them into their groups.
- Keep children and animals away from the work area, small parts could choke if swallowed.
- Make sure you have enough space to layout the parts before starting.

- During assembly do not stand or put weight on the product, this could cause damage/
- Assemble the item as close to its final position (in the same room) as possible.
- Assemble on a soft level surface to avoid damaging the unit or your floor.
- Parts of the assembly will be easier with 2 people.



power drill is set on a low torque setting .

- To reduce the likelihood of damaging your product please ensure that your

Care and maintenance

- Only clean using a damp cloth and mild detergent, do not use bleach or abrasive cleaners.

- From time to time check that there are no loose screws on this unit.

- This product should not be discarded with household waste. Take to your local authority waste disposal centre.

Handy Hints

- Assemble all parts and bolts loosely during assembly, only once the product is complete should you fully tighten the bolts.

- Regularly check and ensure that all bolts and fittings are tightened properly.

WARNING

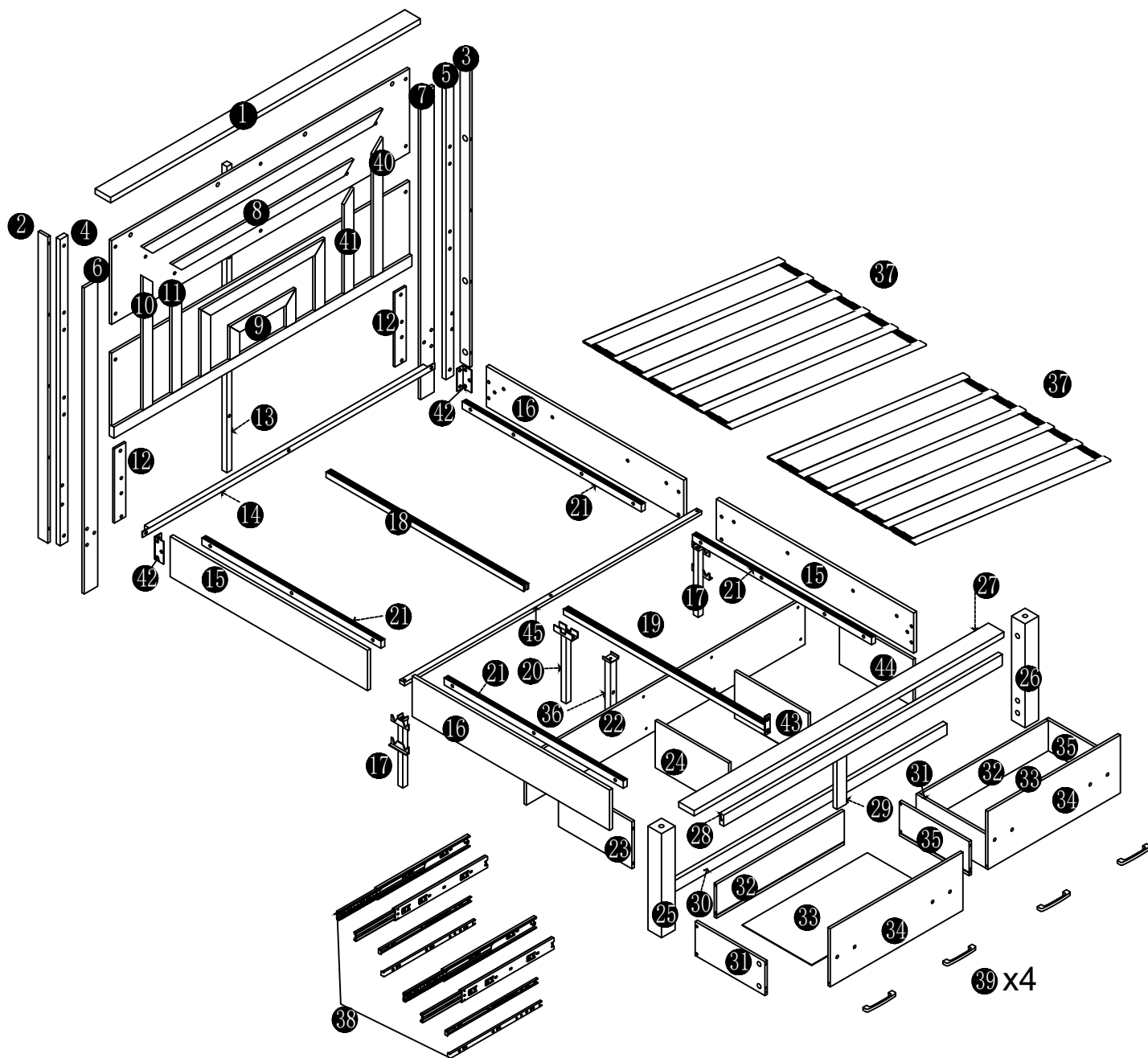
In order to help prevent overturning- please follow these instructions

To help prevent product toppling over please follow the steps below:

- Must use the anti tip strap or wall fixing method provided (whichever applies).
- Do not allow children to climb or hang on the furniture.
- Do not place heavy items on top of the furniture, unless the furniture has been designed for this purpose
- Installation shall be carried out exactly according to the instructions-otherwise a safety risk can occur
- In order to prevent falling down this product must be used with the wall attachment device provided

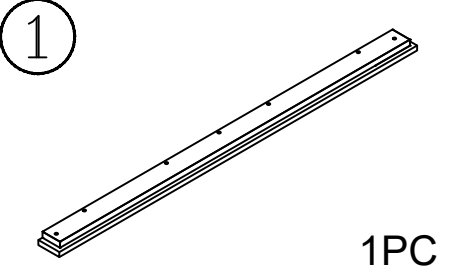
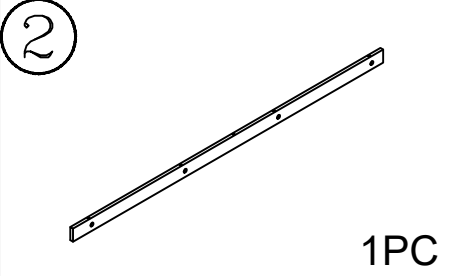
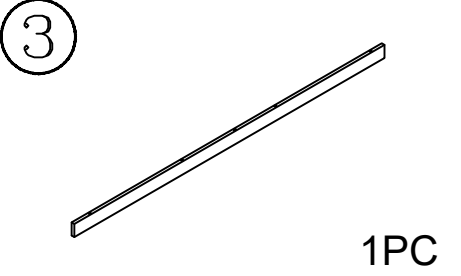
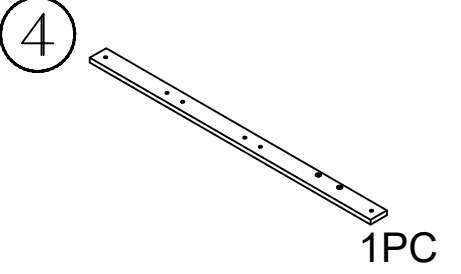
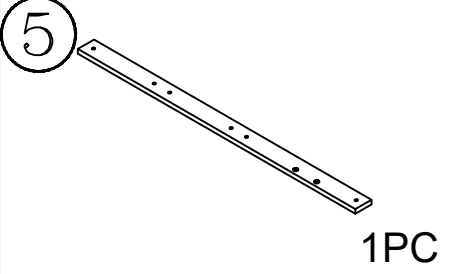
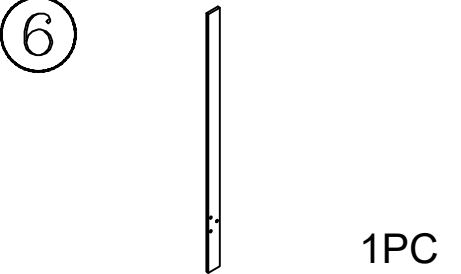
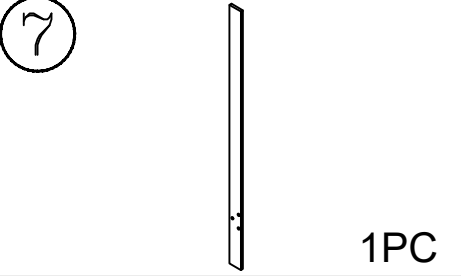
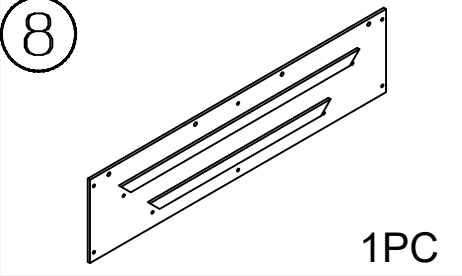
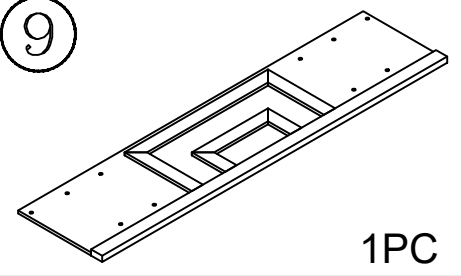
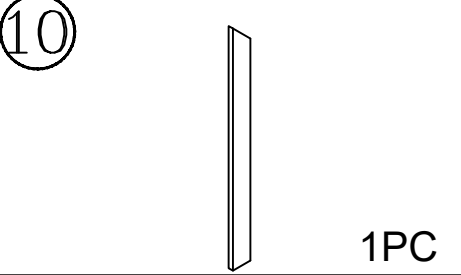
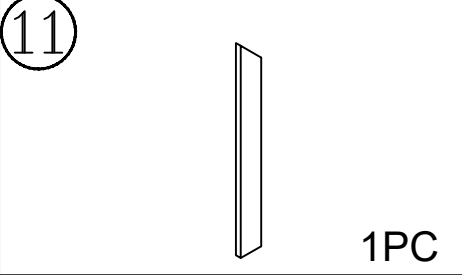
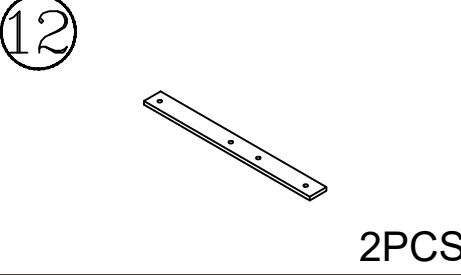
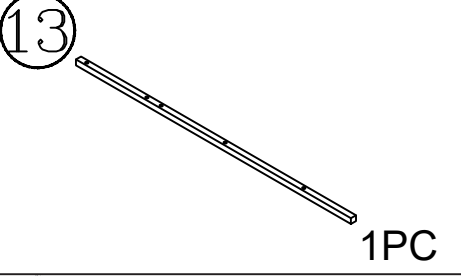
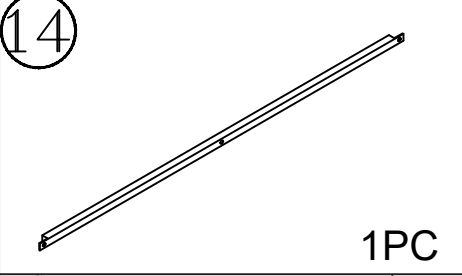
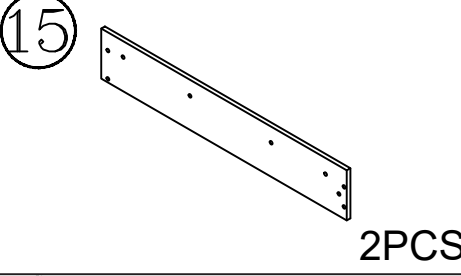
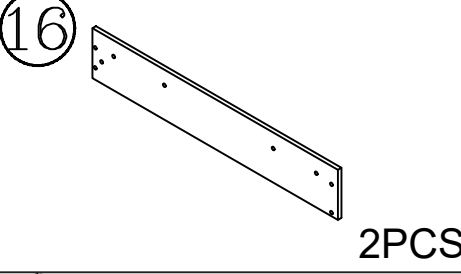
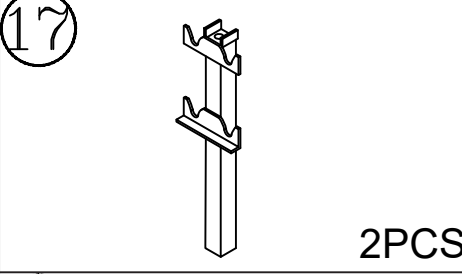
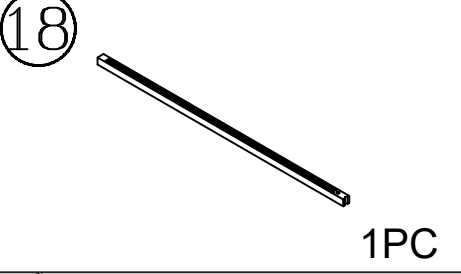
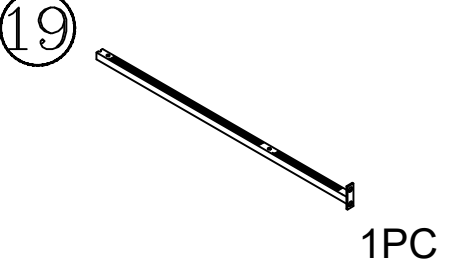
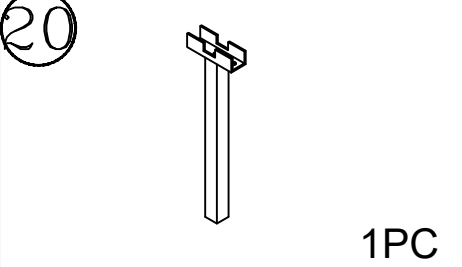
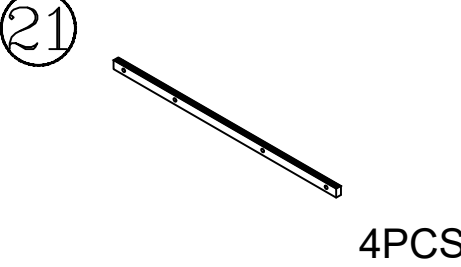
please note that only the wall attachment device is provided. You will need to supply wall plugs and screws applicable for your wall type.

ASSEMBLY INSTRUCTIONS



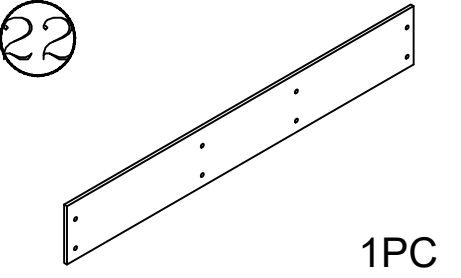
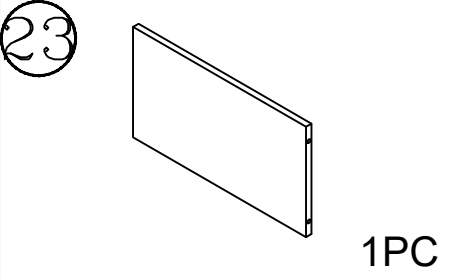
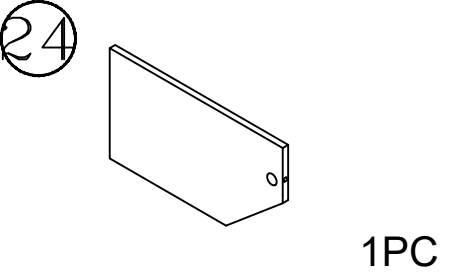
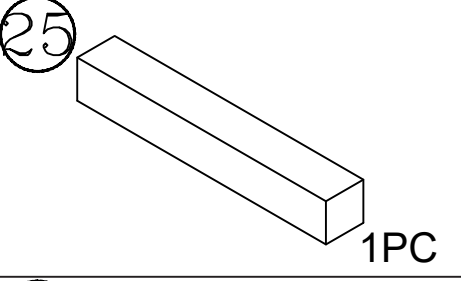
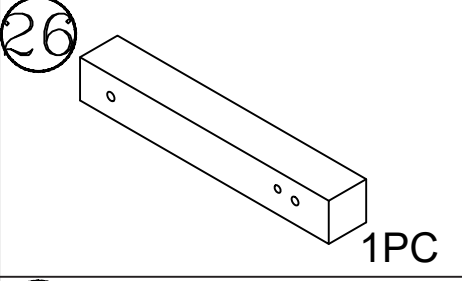
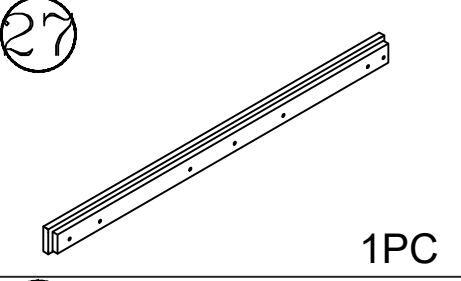
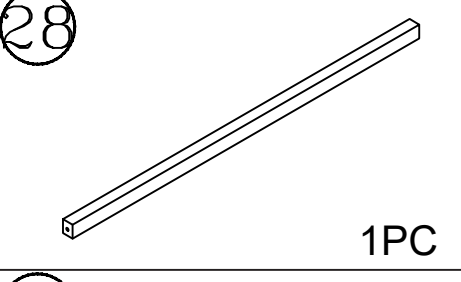
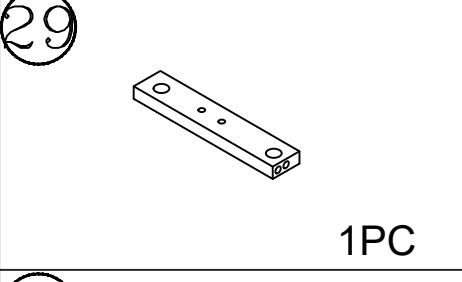
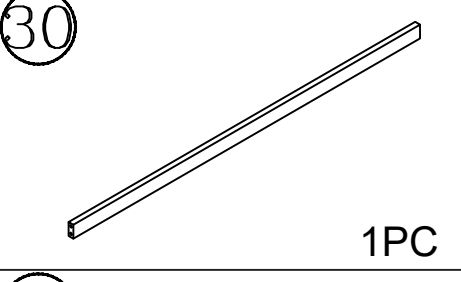
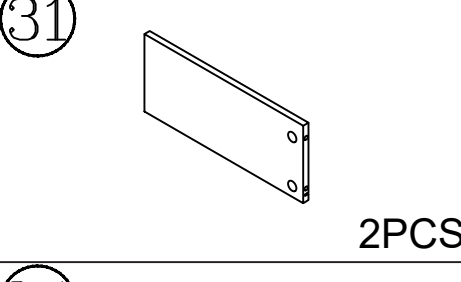
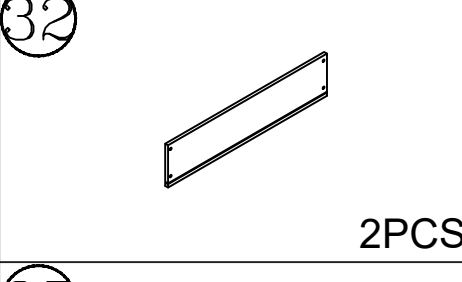
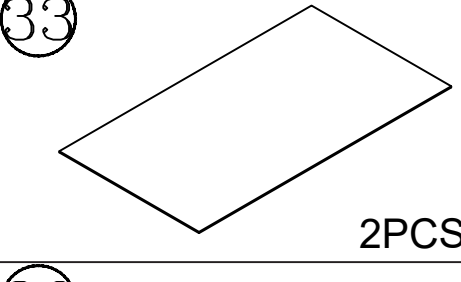
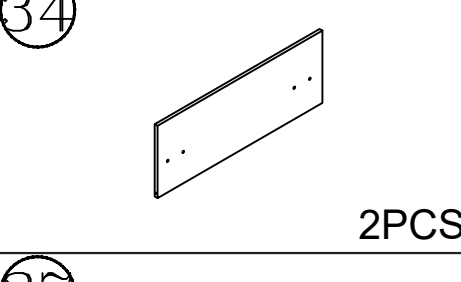
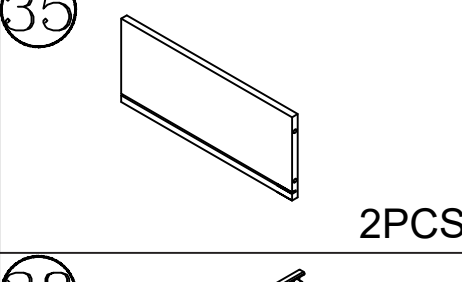
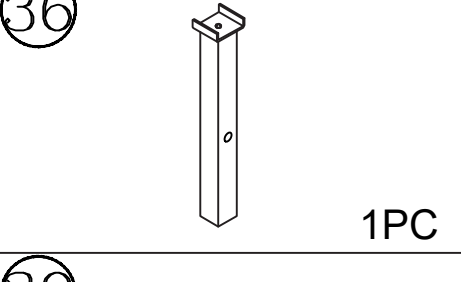
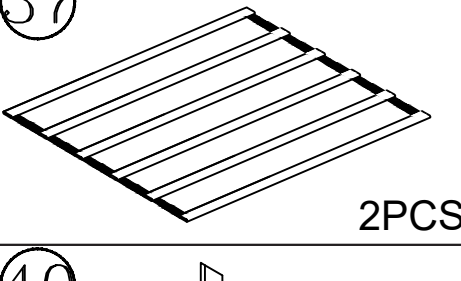
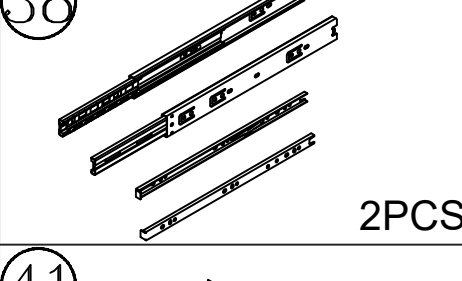
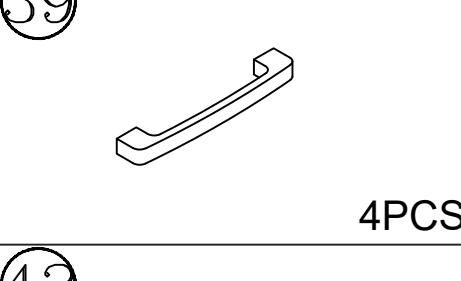
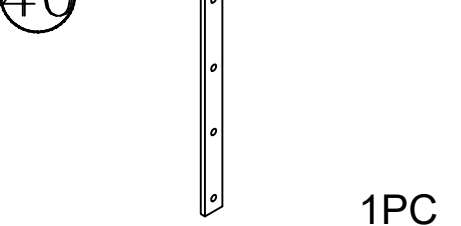
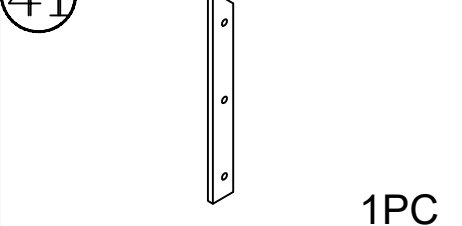
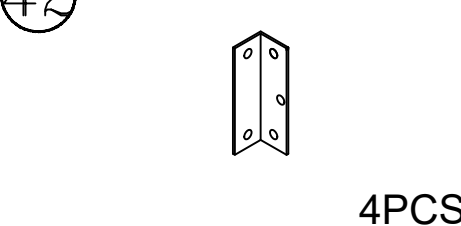
ASSEMBLY INSTRUCTIONS

PARTS LIST

 <p>1</p> <p>1PC</p>	 <p>2</p> <p>1PC</p>	 <p>3</p> <p>1PC</p>
 <p>4</p> <p>1PC</p>	 <p>5</p> <p>1PC</p>	 <p>6</p> <p>1PC</p>
 <p>7</p> <p>1PC</p>	 <p>8</p> <p>1PC</p>	 <p>9</p> <p>1PC</p>
 <p>10</p> <p>1PC</p>	 <p>11</p> <p>1PC</p>	 <p>12</p> <p>2PCS</p>
 <p>13</p> <p>1PC</p>	 <p>14</p> <p>1PC</p>	 <p>15</p> <p>2PCS</p>
 <p>16</p> <p>2PCS</p>	 <p>17</p> <p>2PCS</p>	 <p>18</p> <p>1PC</p>
 <p>19</p> <p>1PC</p>	 <p>20</p> <p>1PC</p>	 <p>21</p> <p>4PCS</p>

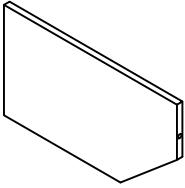
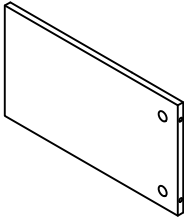
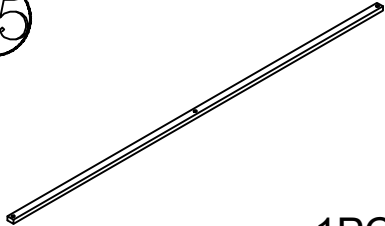
ASSEMBLY INSTRUCTIONS

PARTS LIST

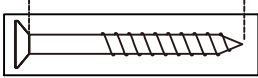
 <p>22</p> <p>1PC</p>	 <p>23</p> <p>1PC</p>	 <p>24</p> <p>1PC</p>
 <p>25</p> <p>1PC</p>	 <p>26</p> <p>1PC</p>	 <p>27</p> <p>1PC</p>
 <p>28</p> <p>1PC</p>	 <p>29</p> <p>1PC</p>	 <p>30</p> <p>1PC</p>
 <p>31</p> <p>2PCS</p>	 <p>32</p> <p>2PCS</p>	 <p>33</p> <p>2PCS</p>
 <p>34</p> <p>2PCS</p>	 <p>35</p> <p>2PCS</p>	 <p>36</p> <p>1PC</p>
 <p>37</p> <p>2PCS</p>	 <p>38</p> <p>2PCS</p>	 <p>39</p> <p>4PCS</p>
 <p>40</p> <p>1PC</p>	 <p>41</p> <p>1PC</p>	 <p>42</p> <p>4PCS</p>

ASSEMBLY INSTRUCTIONS

PARTS LIST

<p>43</p>  <p>1PC</p>	<p>44</p>  <p>1PC</p>	<p>45</p>  <p>1PC</p>
--	--	--

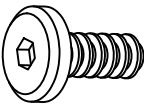
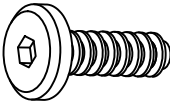
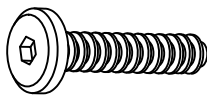
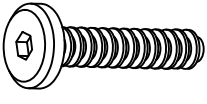
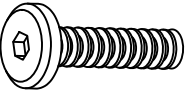
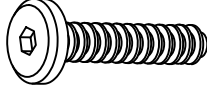
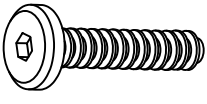
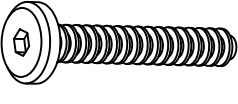
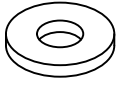


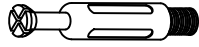
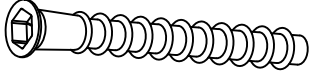
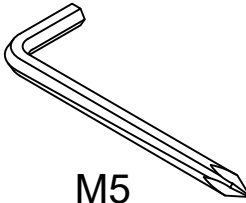
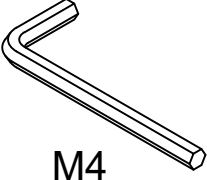
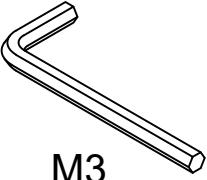
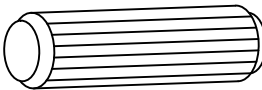


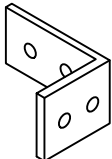
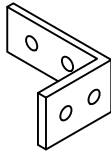
Ruler-Use this ruler to help correctly identify the screws.



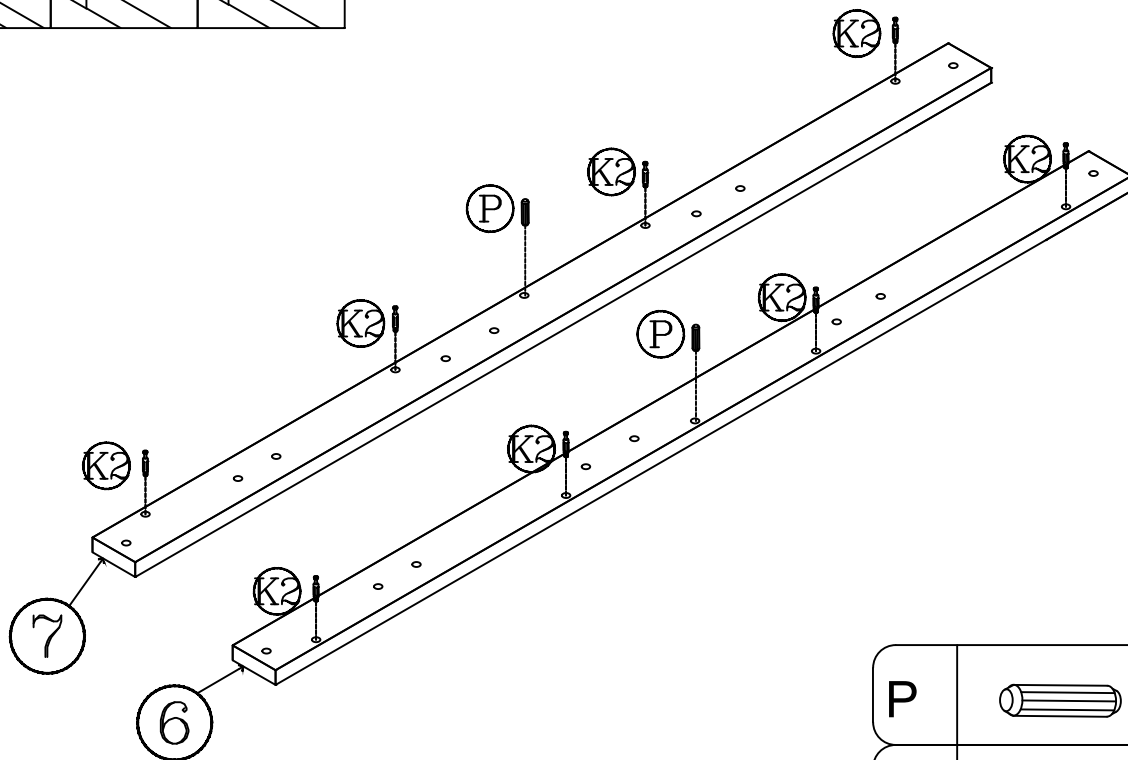
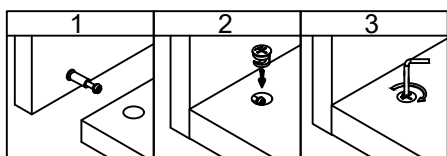
The length of the screw is measured from the rod part excluding the screw cap (30mm screw shown).

ASSEMBLY INSTRUCTIONS

PARTS LIST

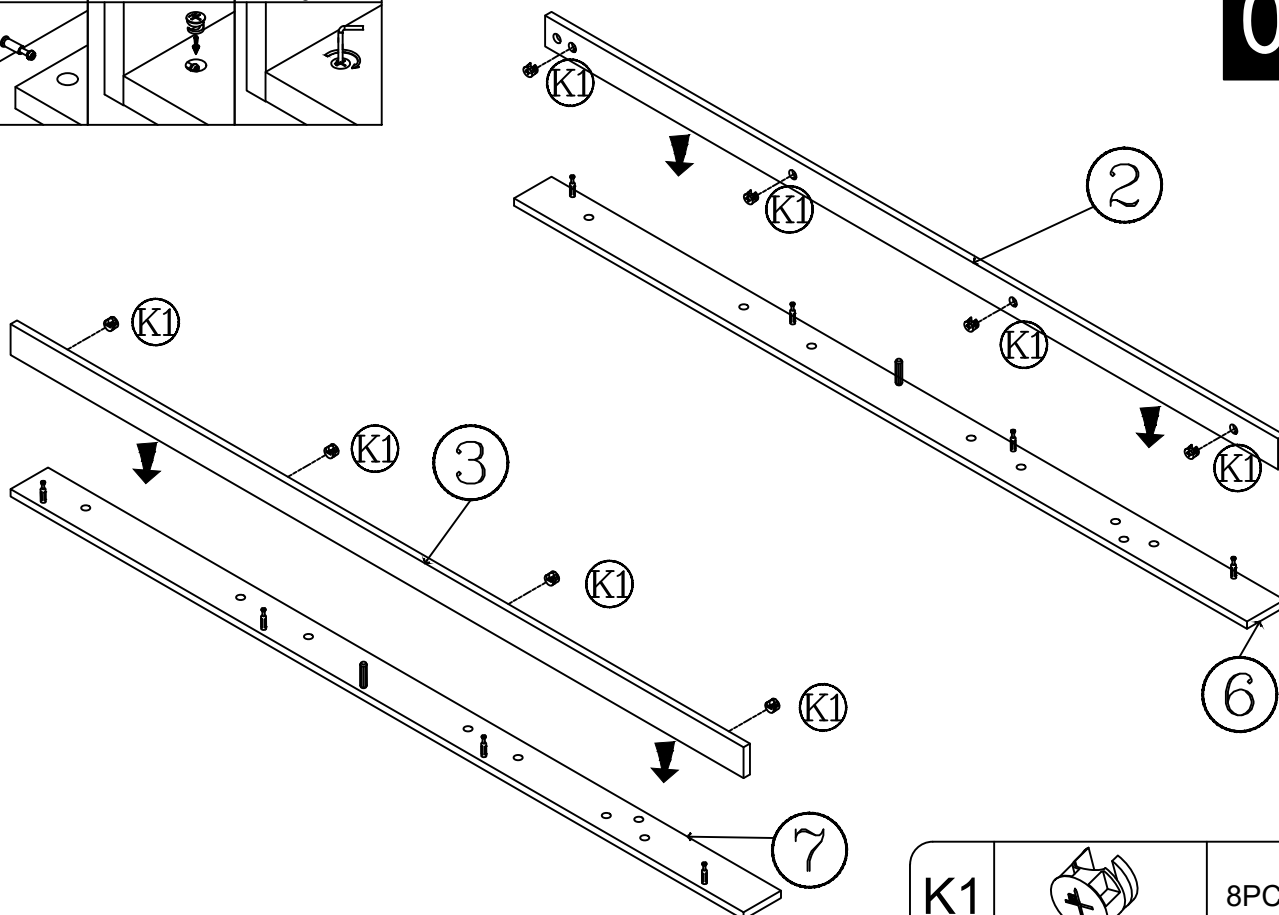
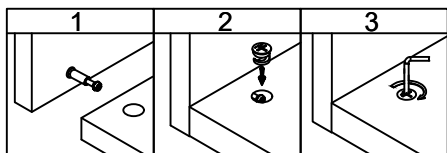
<p>(A)</p>  <p>M6*11mm 28PCS</p>	<p>(B)</p>  <p>M6*20mm 14PCS</p>	<p>(C)</p>  <p>M6*30mm 1PC</p>
<p>(D)</p>  <p>M6*35mm 20PCS</p>	<p>(E)</p>  <p>M6*40mm 12PCS</p>	<p>(F)</p>  <p>M8*35mm 5PCS</p>
<p>(G)</p>  <p>M8*50mm 5PCS</p>	<p>(H)</p>  <p>M8*65mm 1PC</p>	<p>(I)</p>  <p>Φ6*Φ16mm 16PCS</p>
<p>(J)</p>  <p>M4*12mm 24PCS</p>	<p>(K1)</p>  <p>39PCS</p>	<p>(K2)</p>  <p>39PCS</p>
<p>(L)</p>  <p>M5*40mm 16PCS</p>	<p>(M)</p>  <p>M5 1PC</p>	<p>(N)</p>  <p>M4 1PC</p>
<p>(O)</p>  <p>M3 1PC</p>	<p>(P)</p>  <p>11PCS</p>	<p>(Q)</p>  <p>M5*12mm 32PCS</p>
<p>(R)</p>  <p>M4*16mm 8PCS</p>	<p>(S)</p>  <p>4PCS</p>	<p>(T)</p>  <p>4PCS</p>

01



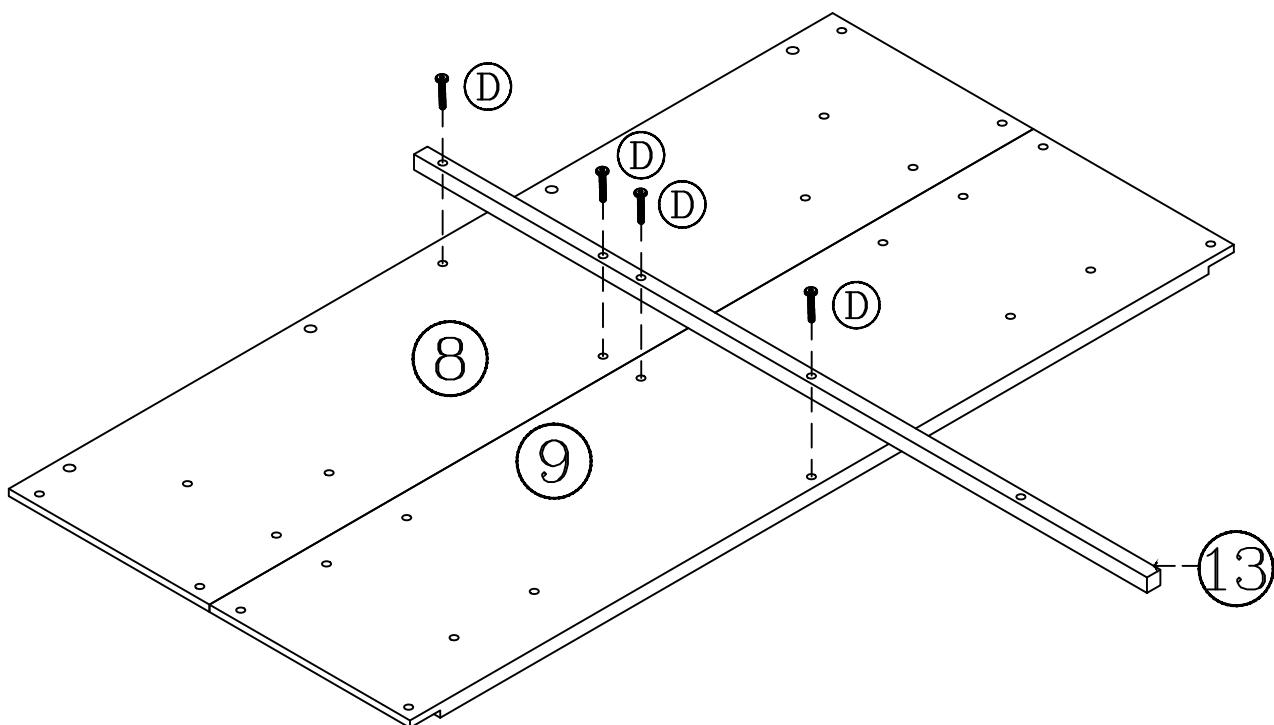
P		2PCS
K2		8PCS


02



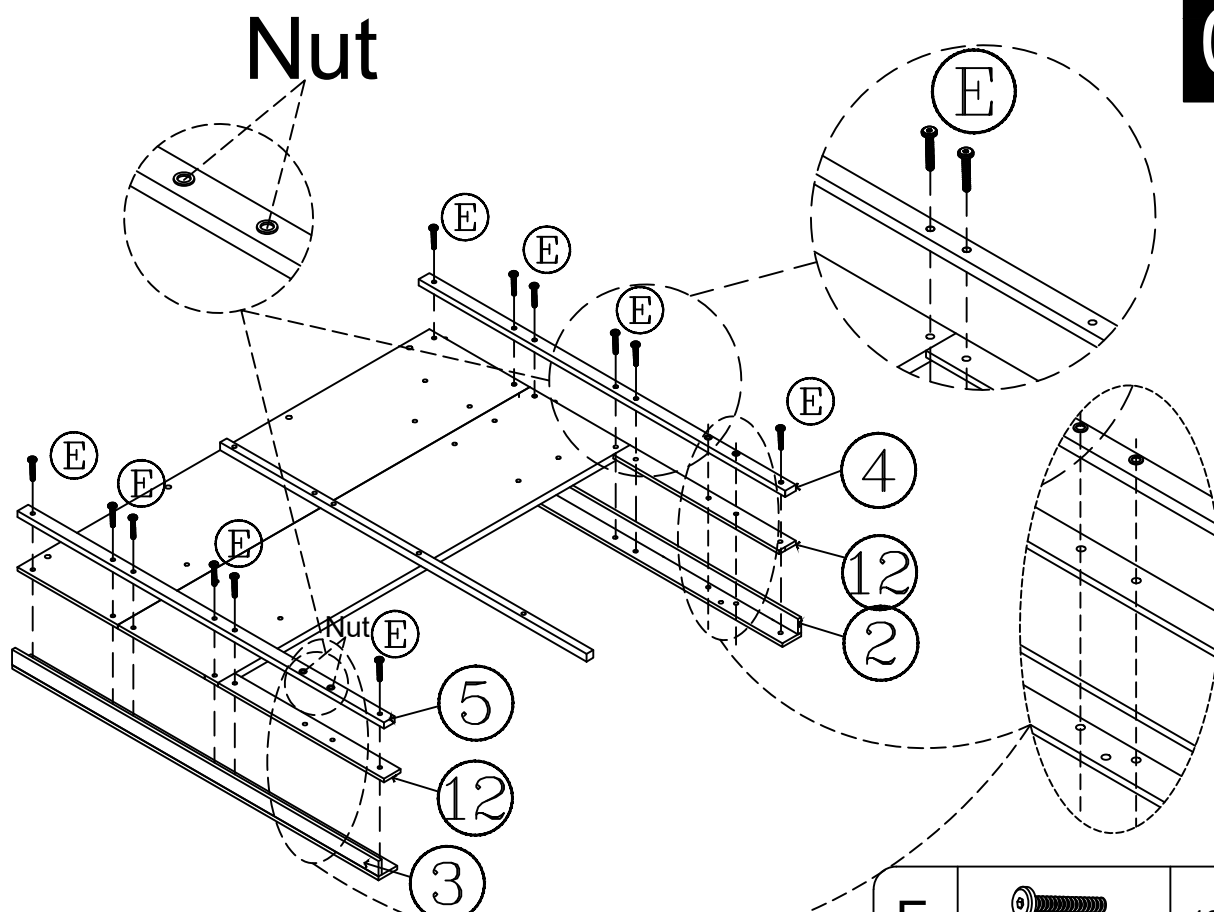
K1		8PCS
----	--	------


03



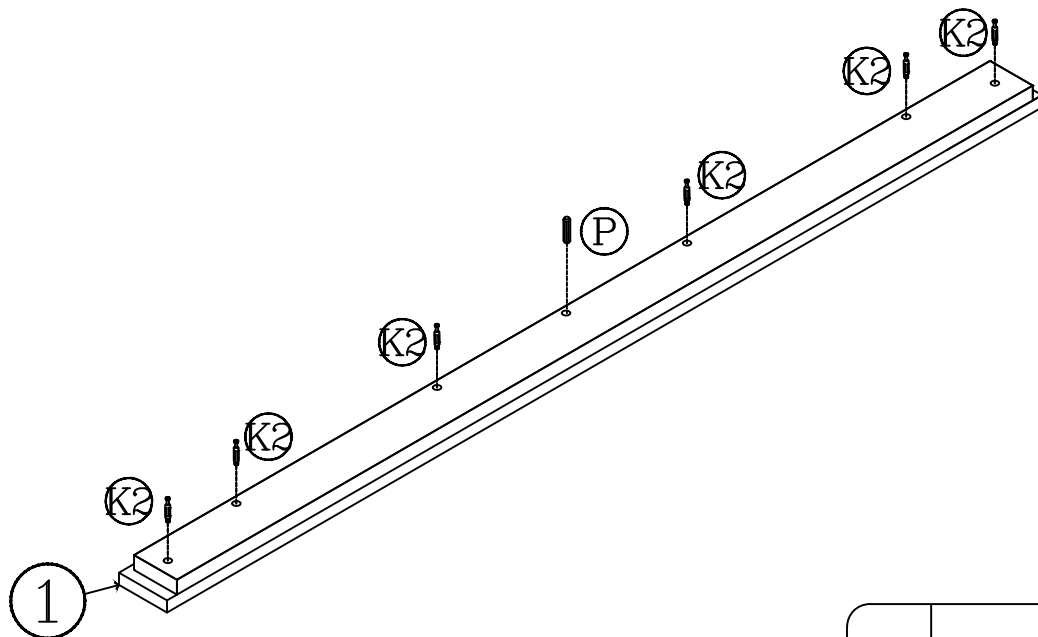
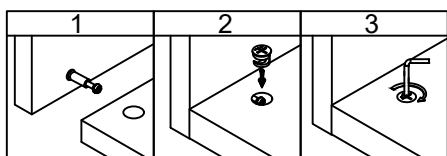
D	 M6*35mm	4PCS
---	--	------


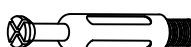
04



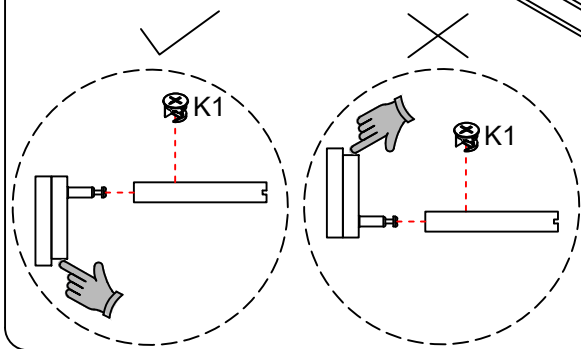
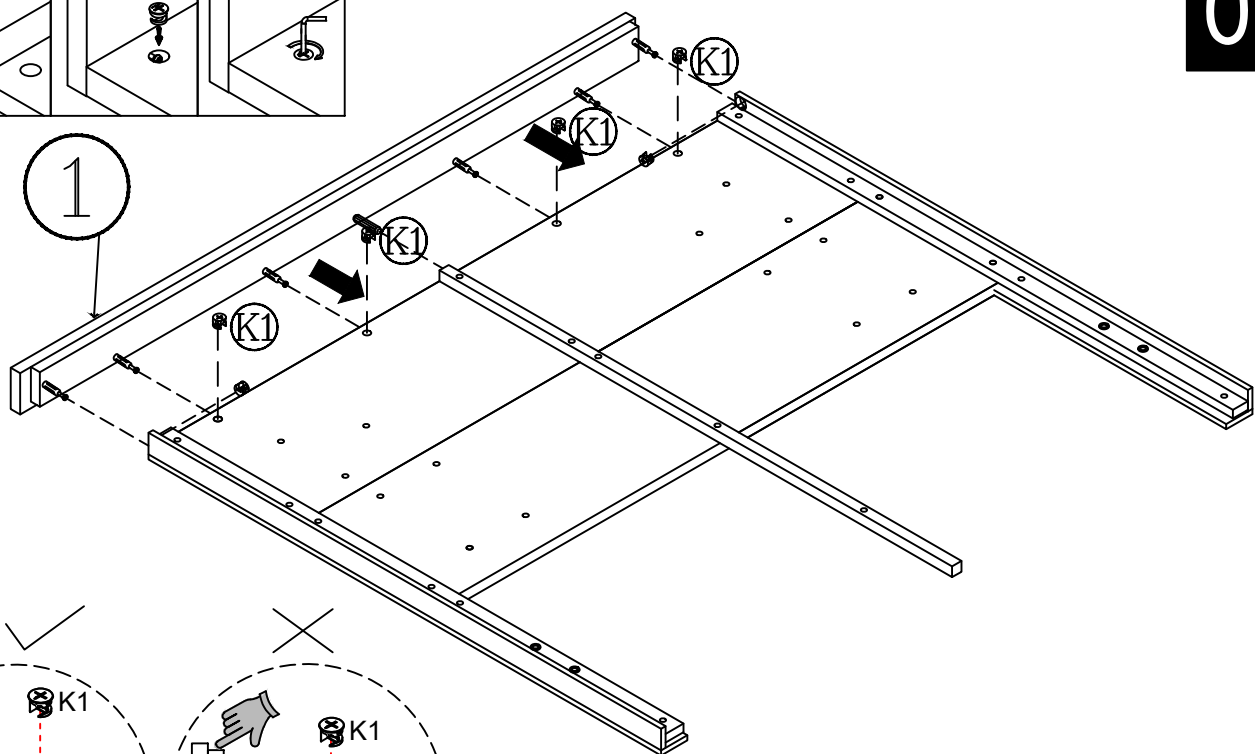
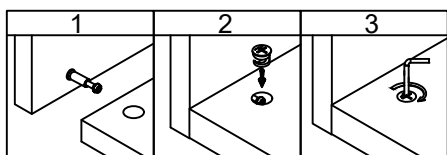
E	 M6*40mm	12PCS
---	--	-------

05



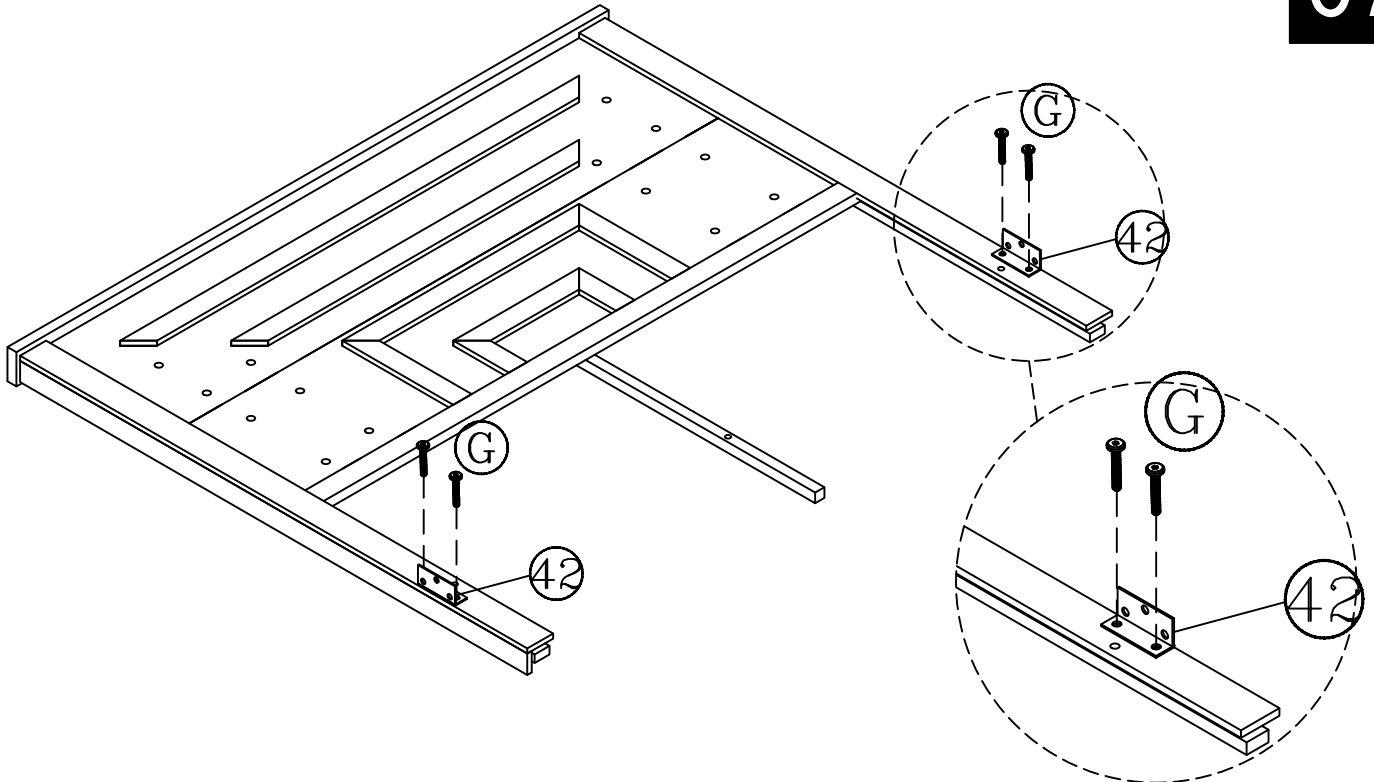
P		1PC
K2		6PCS

06



K1		6PCS
----	---	------

07

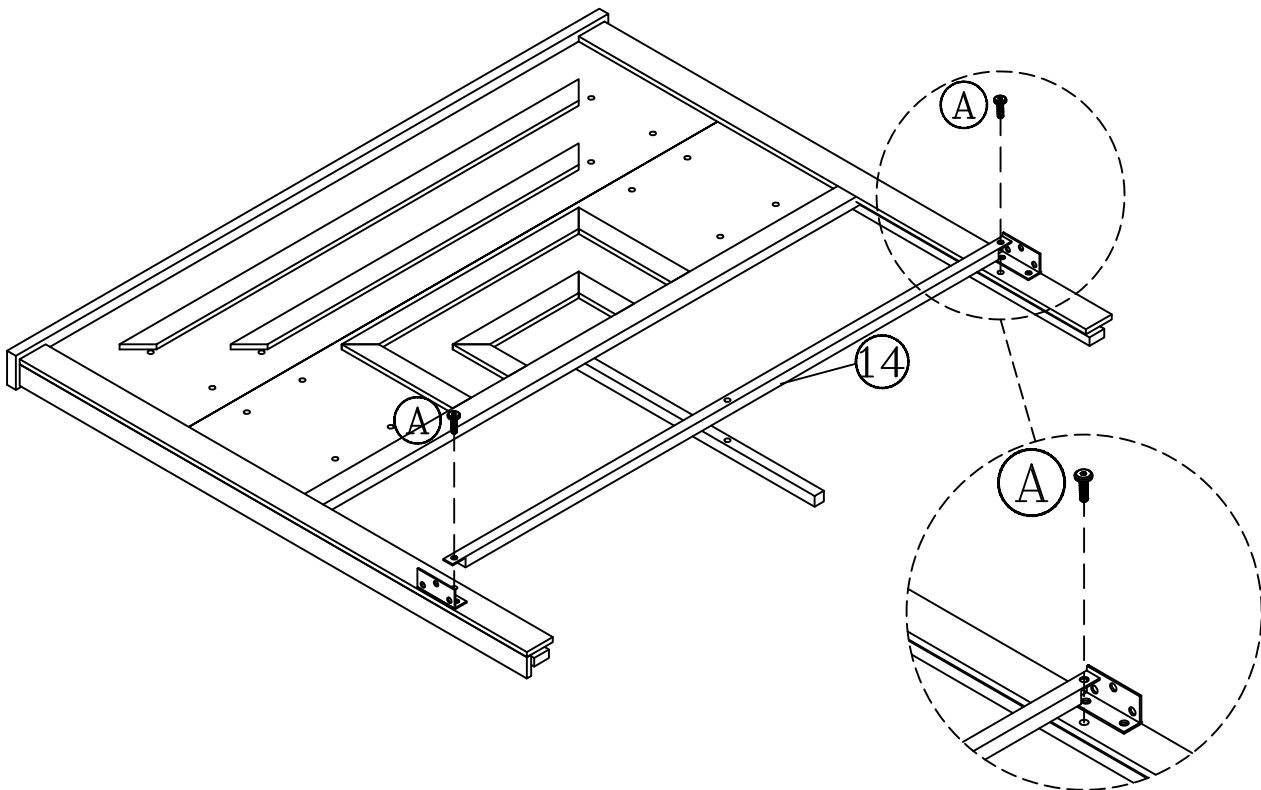


G



4PCS

08

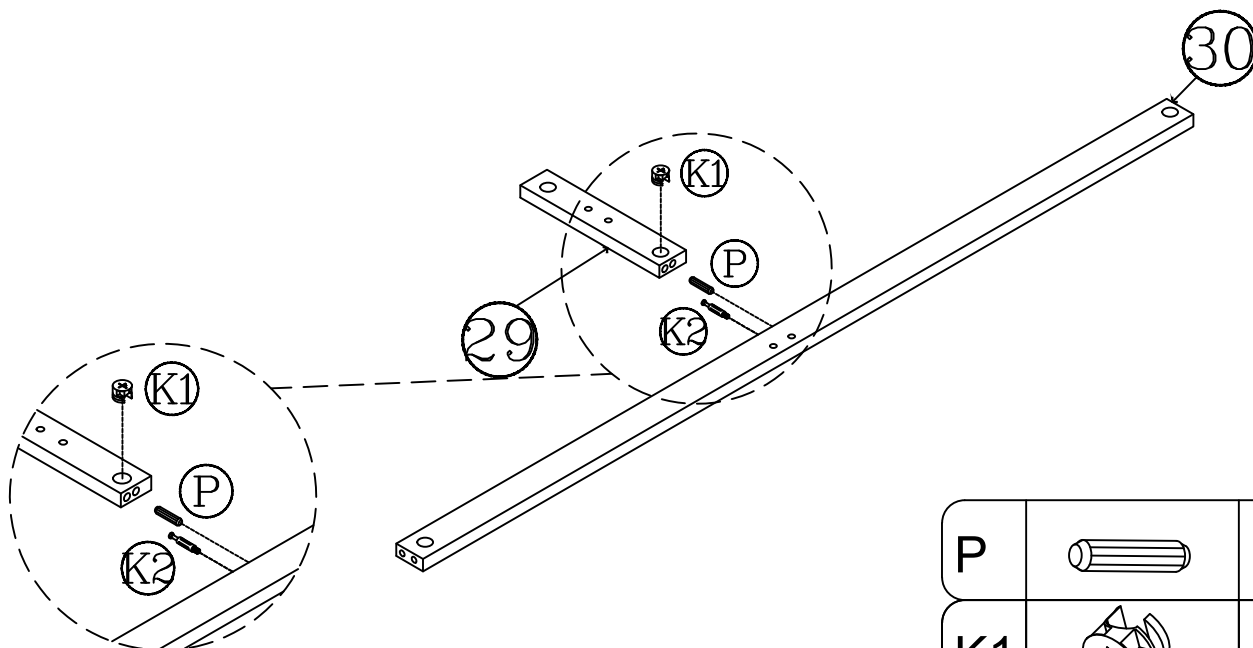
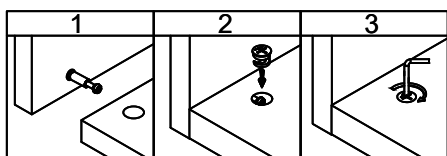


A



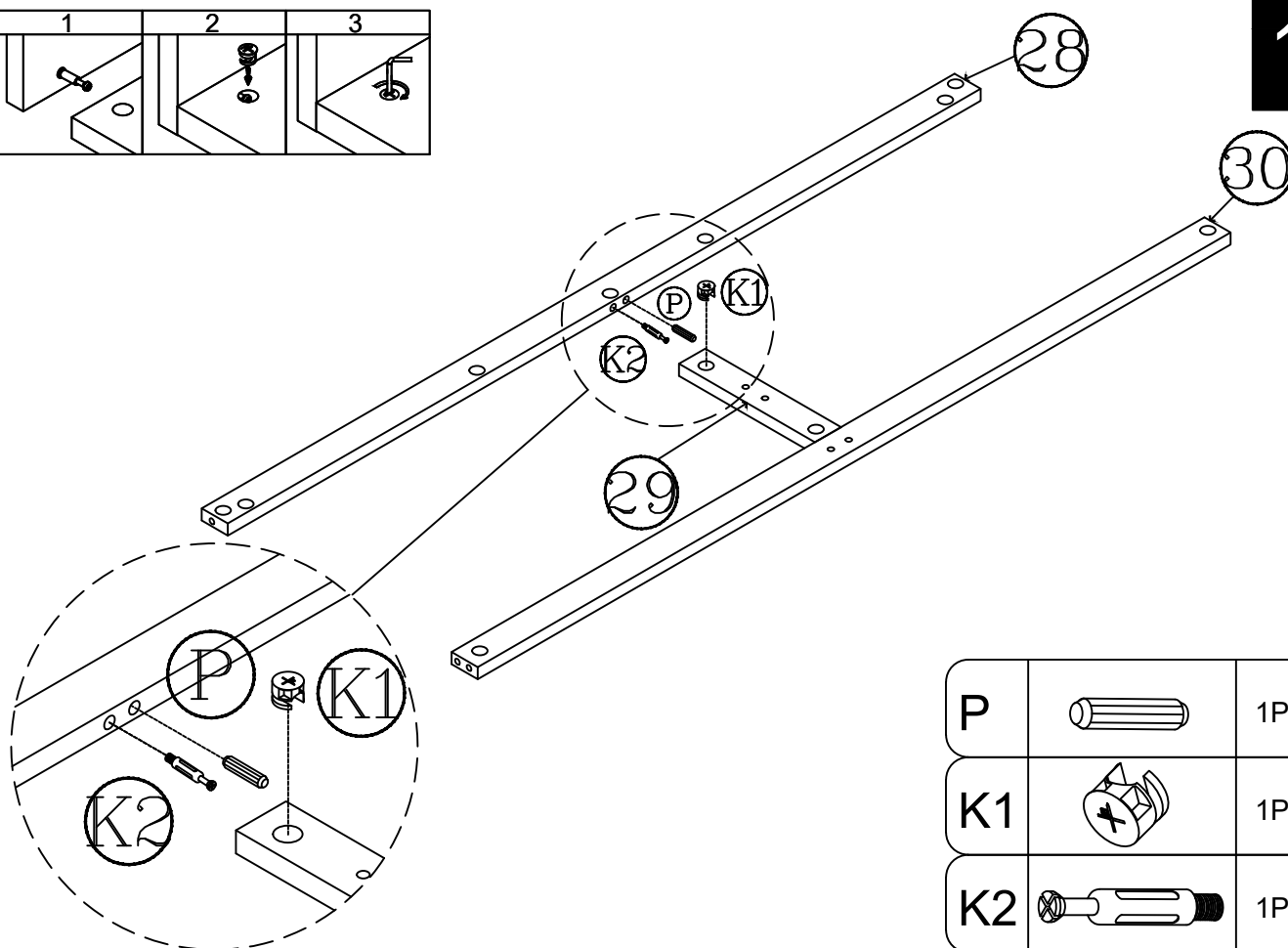
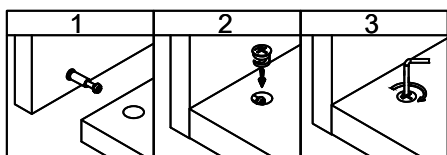
2PCS

09



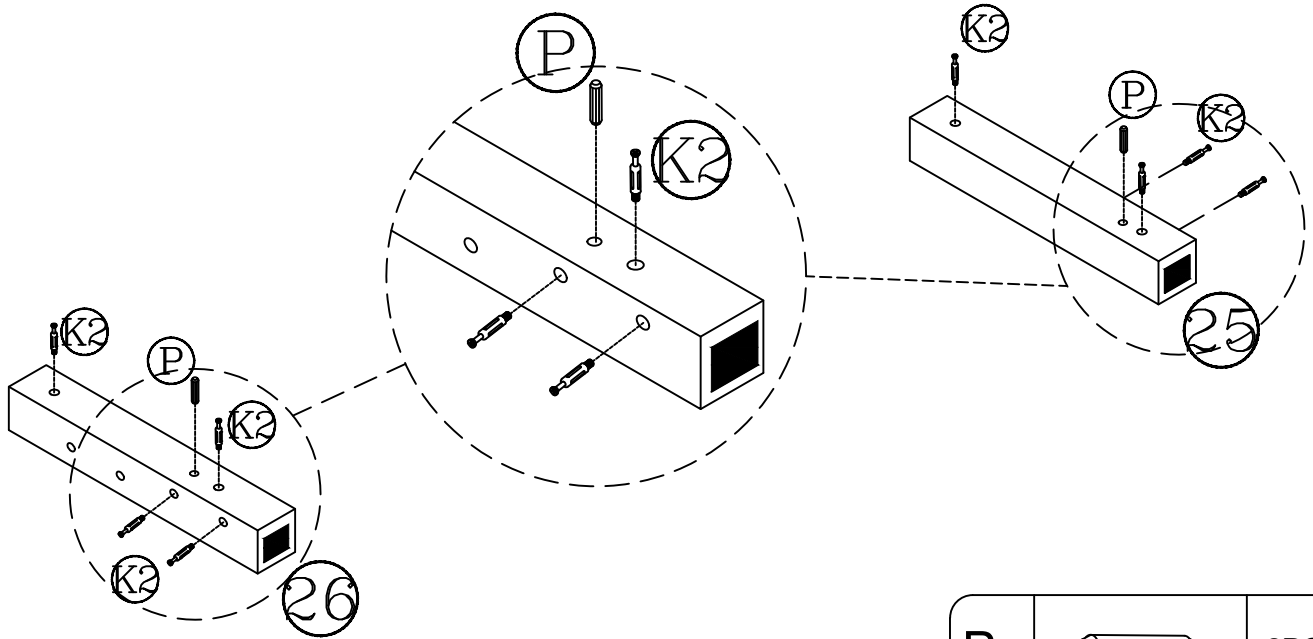
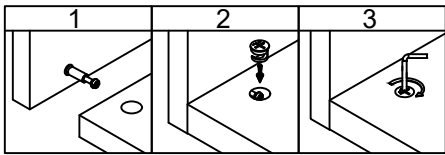
P		1PC
K1		1PC
K2		1PC


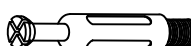
10



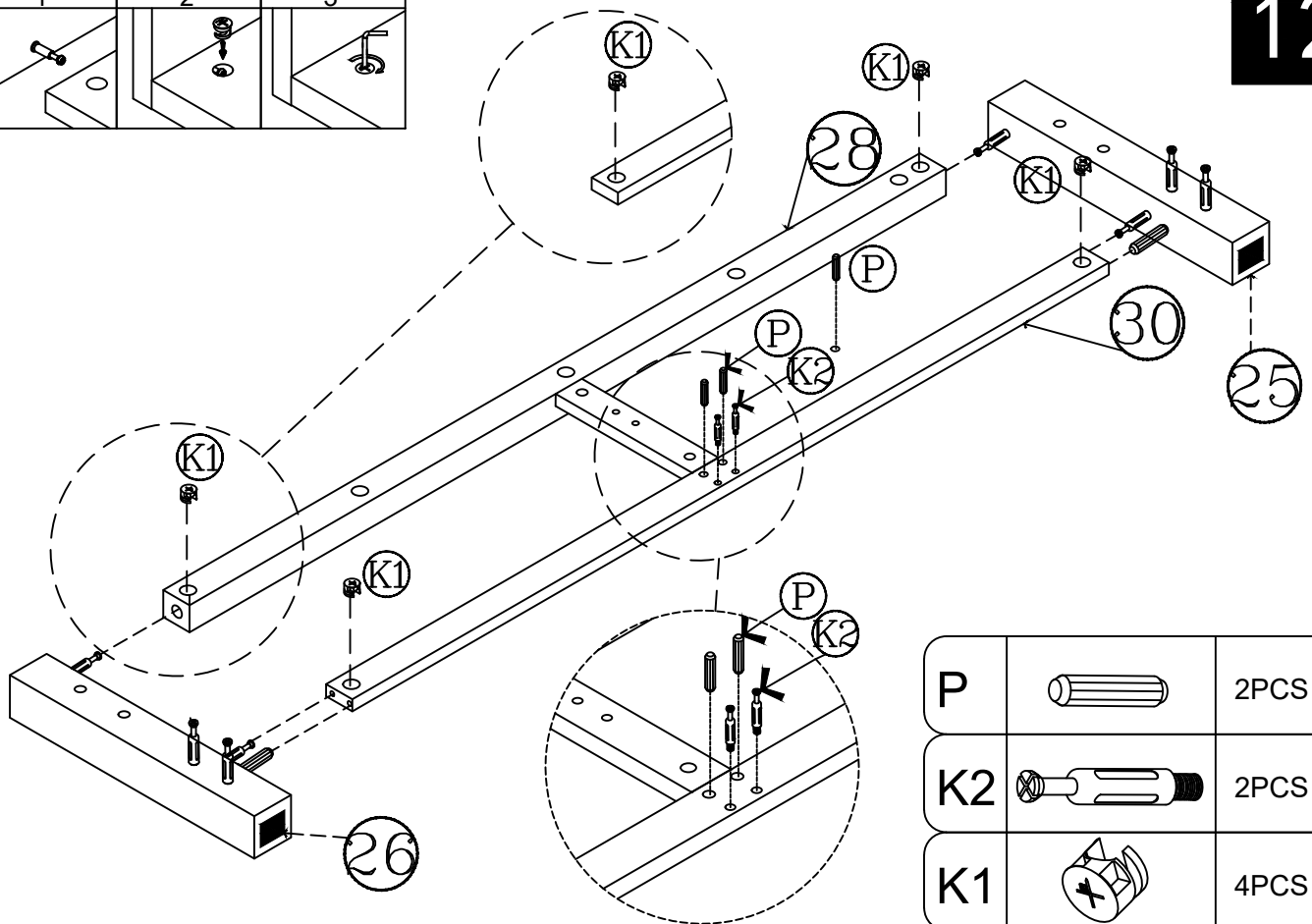
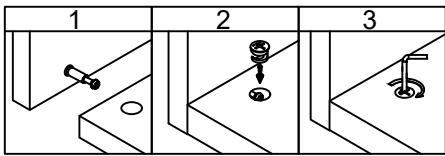
P		1PC
K1		1PC
K2		1PC


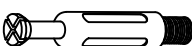

11



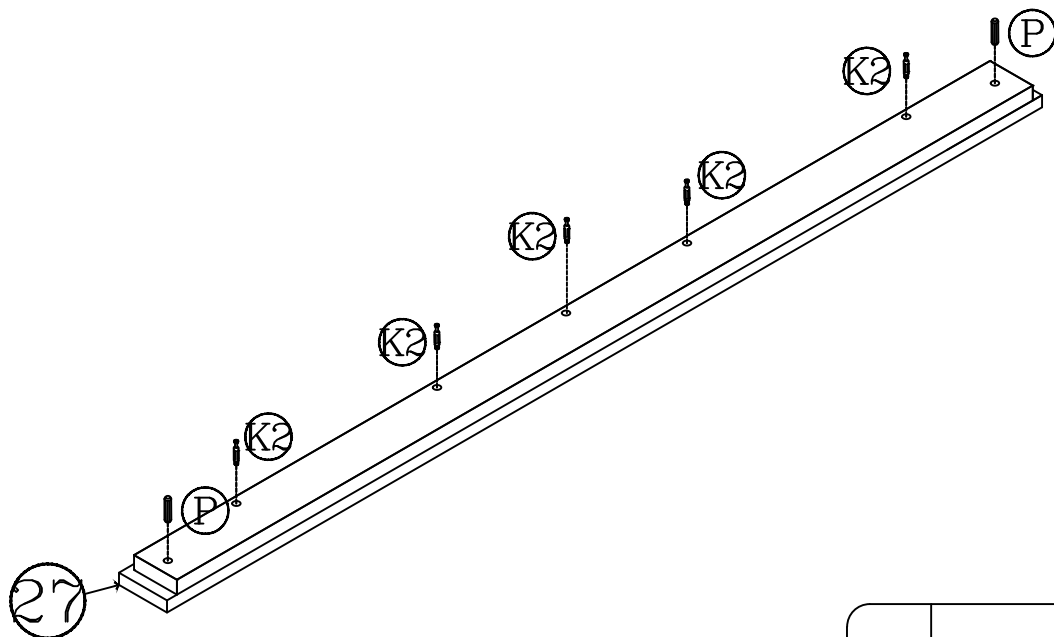
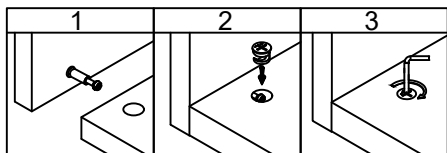
P		2PCS
K2		8PCS


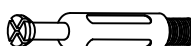
12



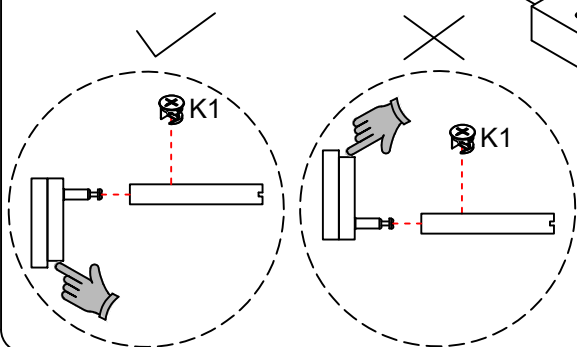
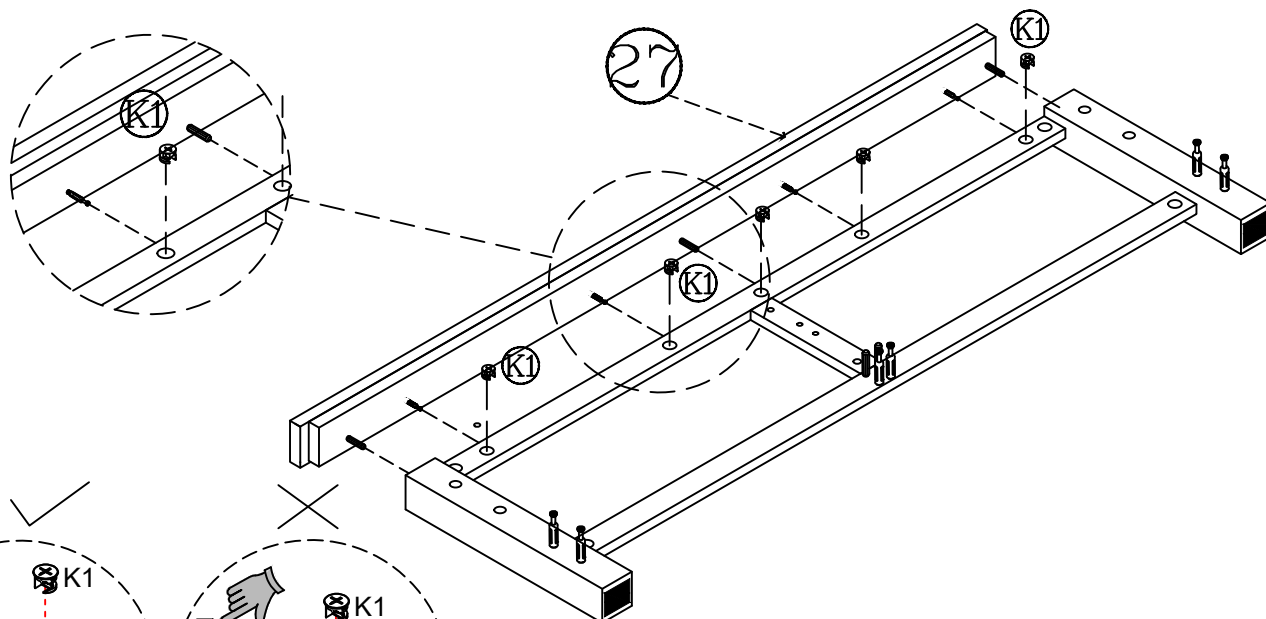
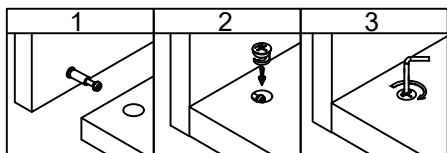
P		2PCS
K2		2PCS
K1		4PCS


13



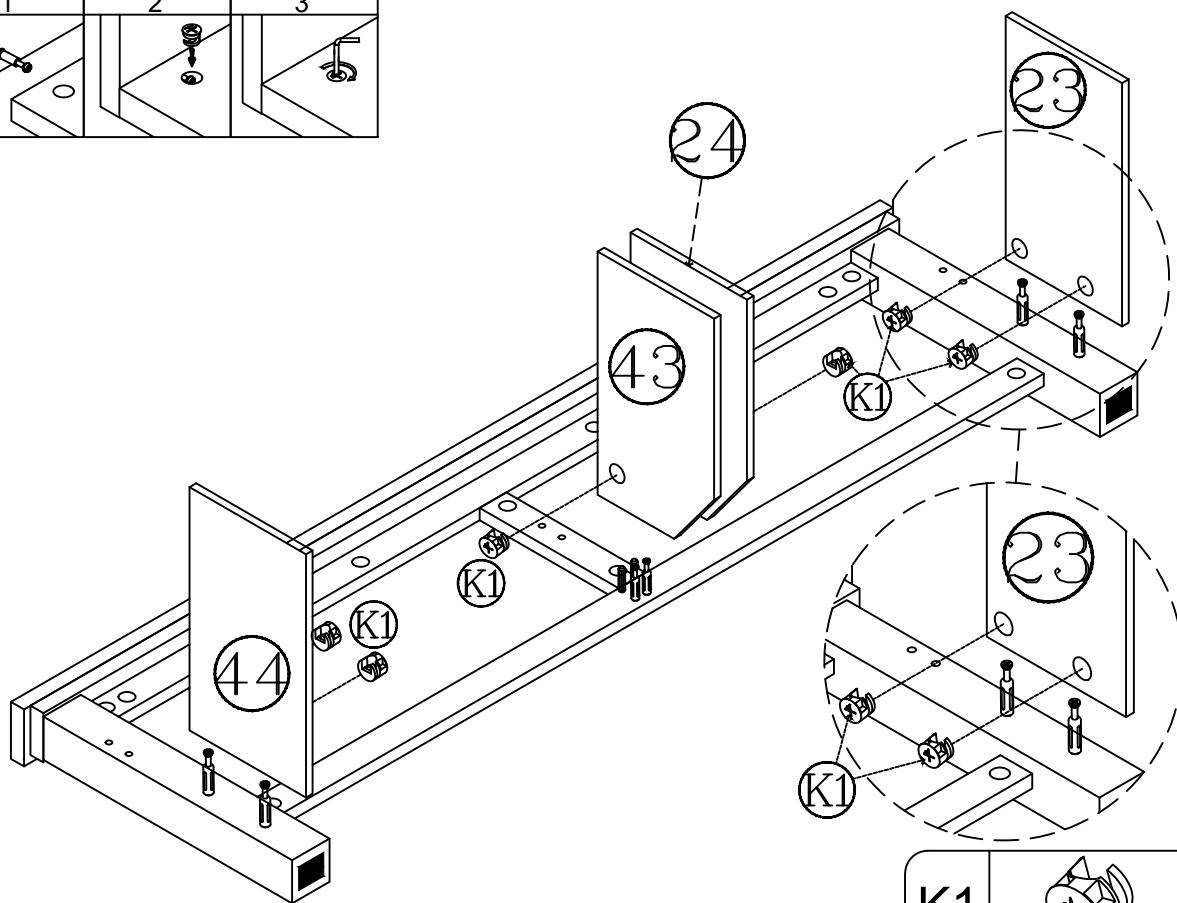
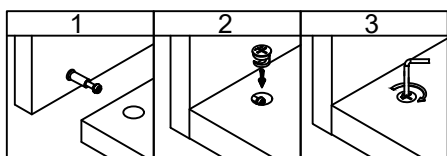
P		2PCS
K2		5PCS


14



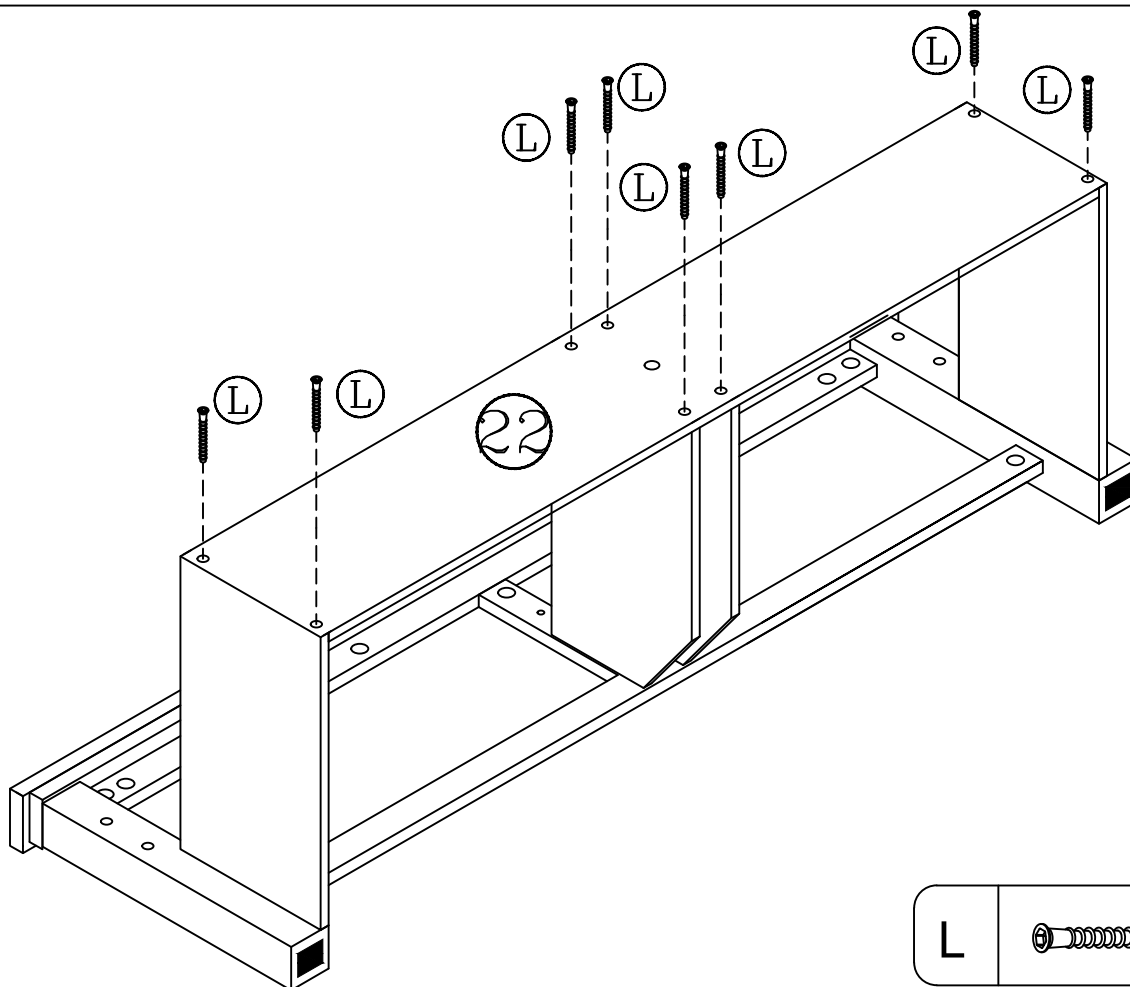
K1		5PCS
----	---	------

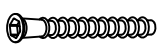
15



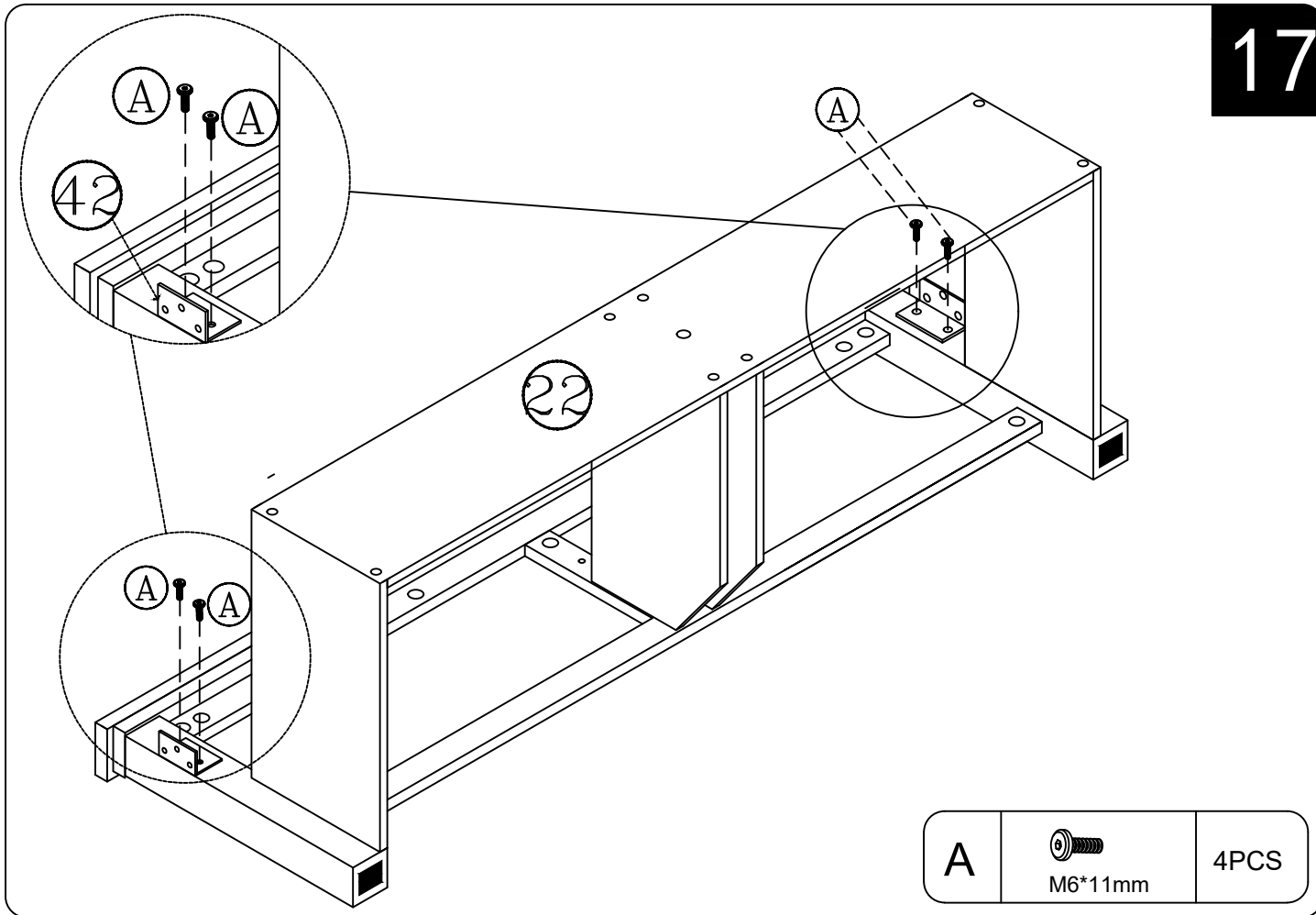
K1		6PCS
----	---	------

16

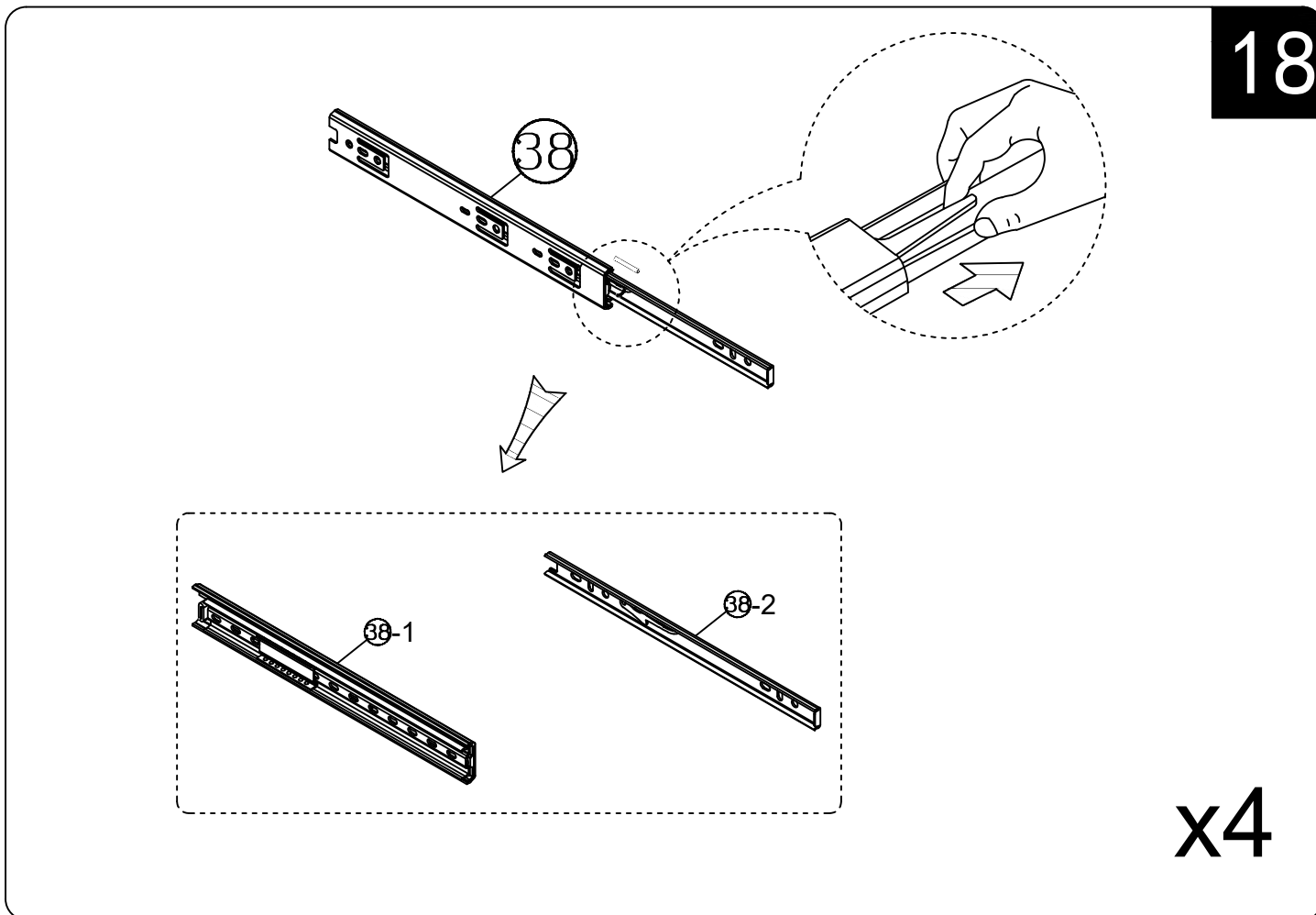


L		8PCS
---	---	------

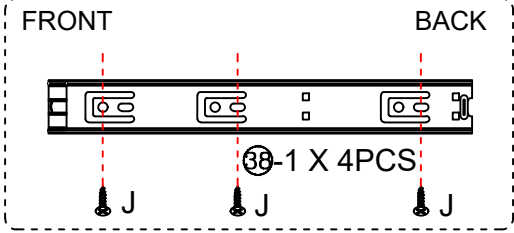
17



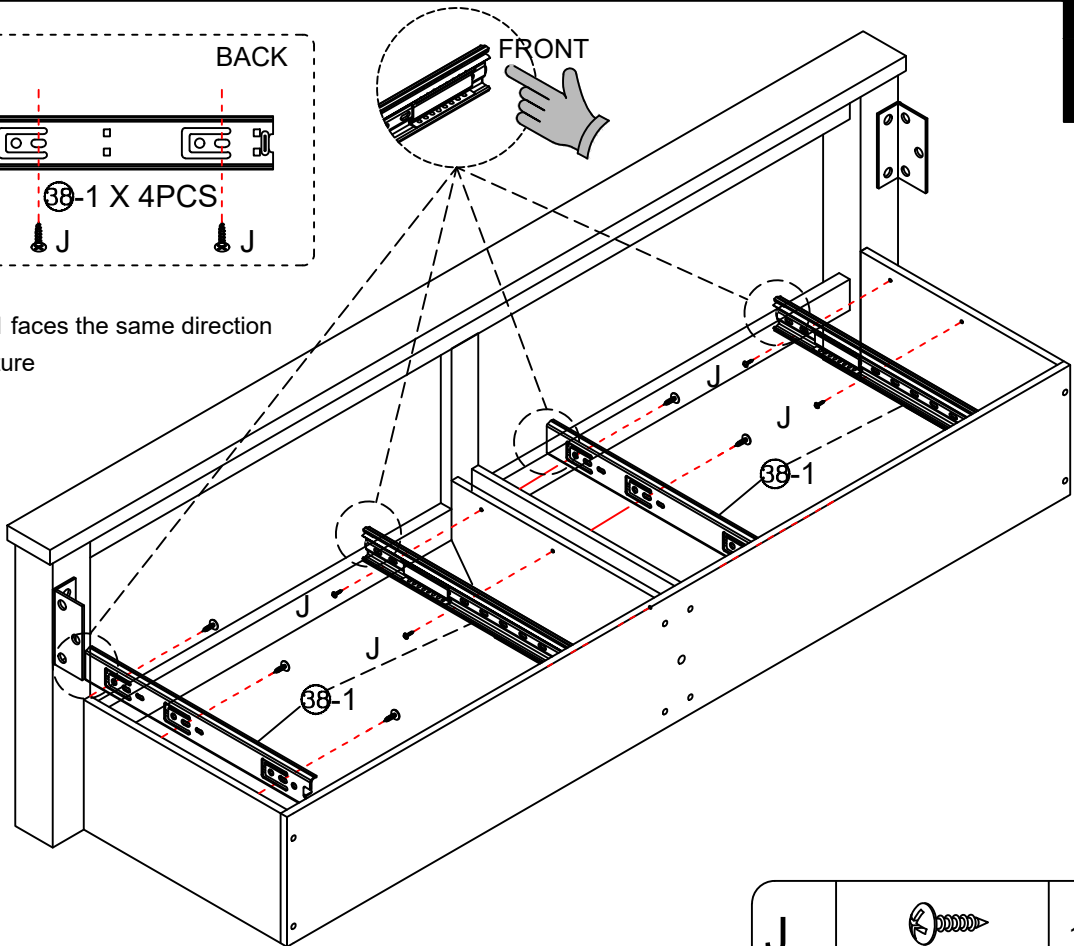
18




19

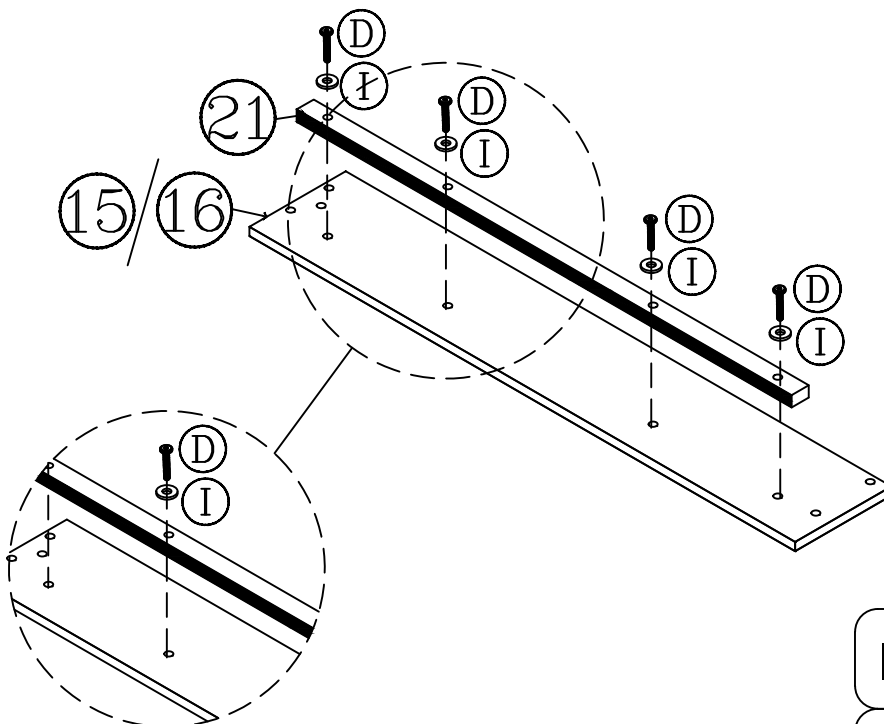


Make sure part 38-1 faces the same direction as shown in the picture





J	 M4*12mm	12PCS
---	--	-------

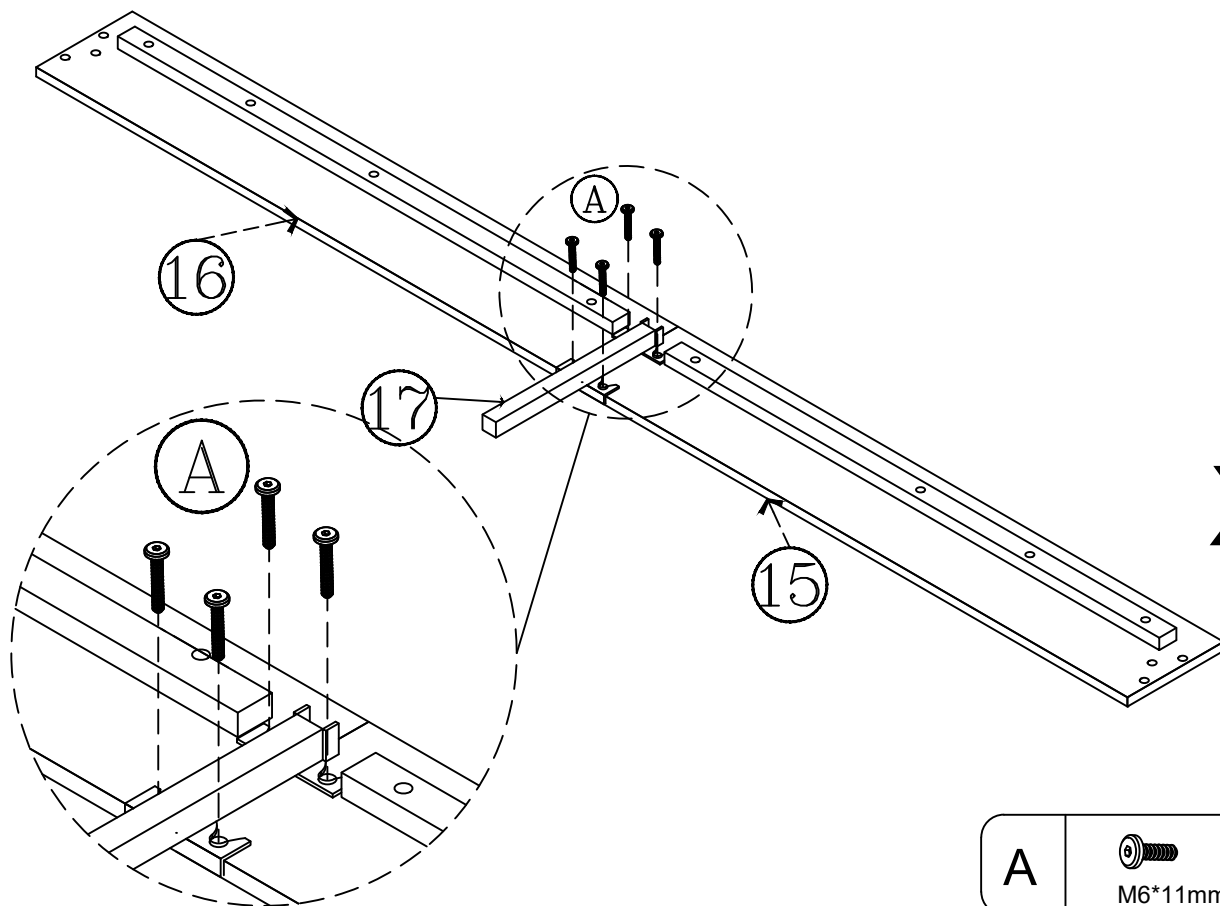
20




X 4

I	 M6*50mm	16PCS
D	 M6*35mm	16PCS

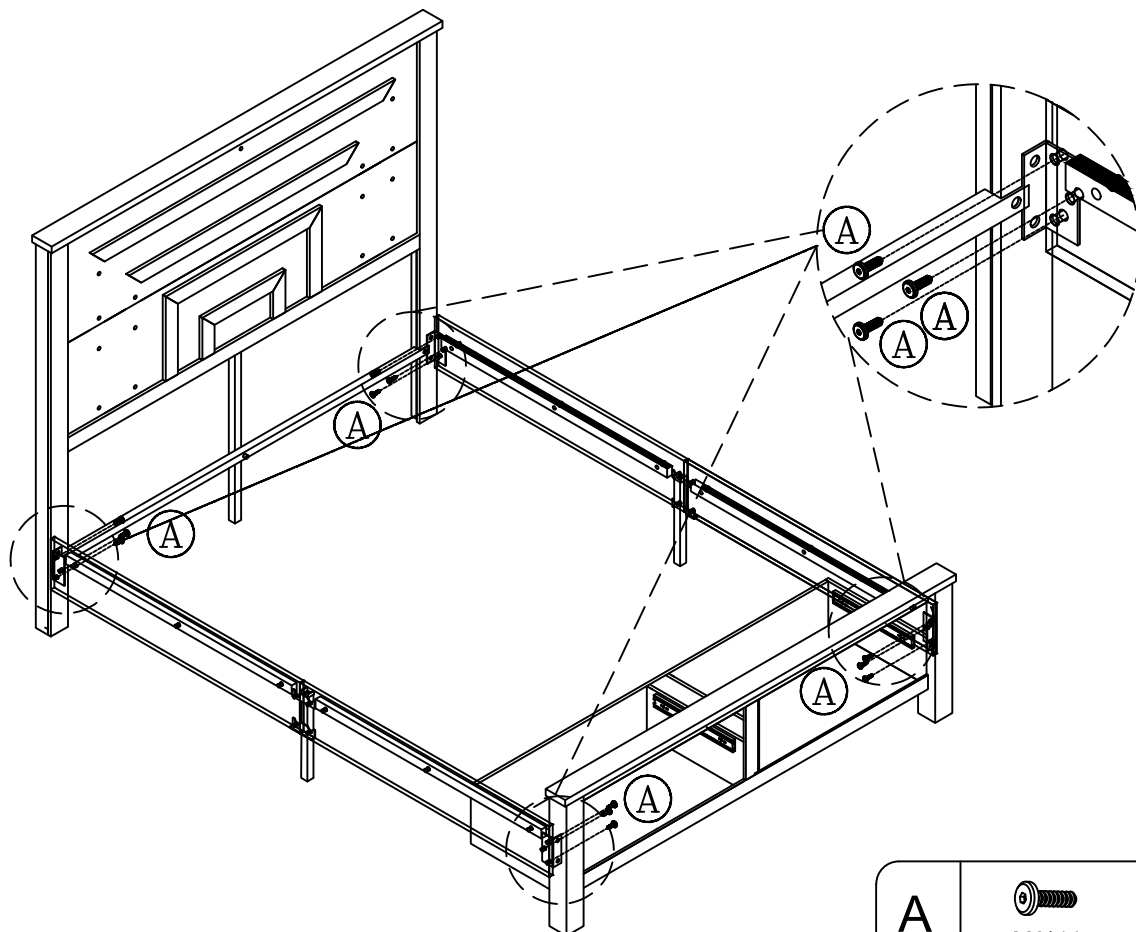
21




X 2

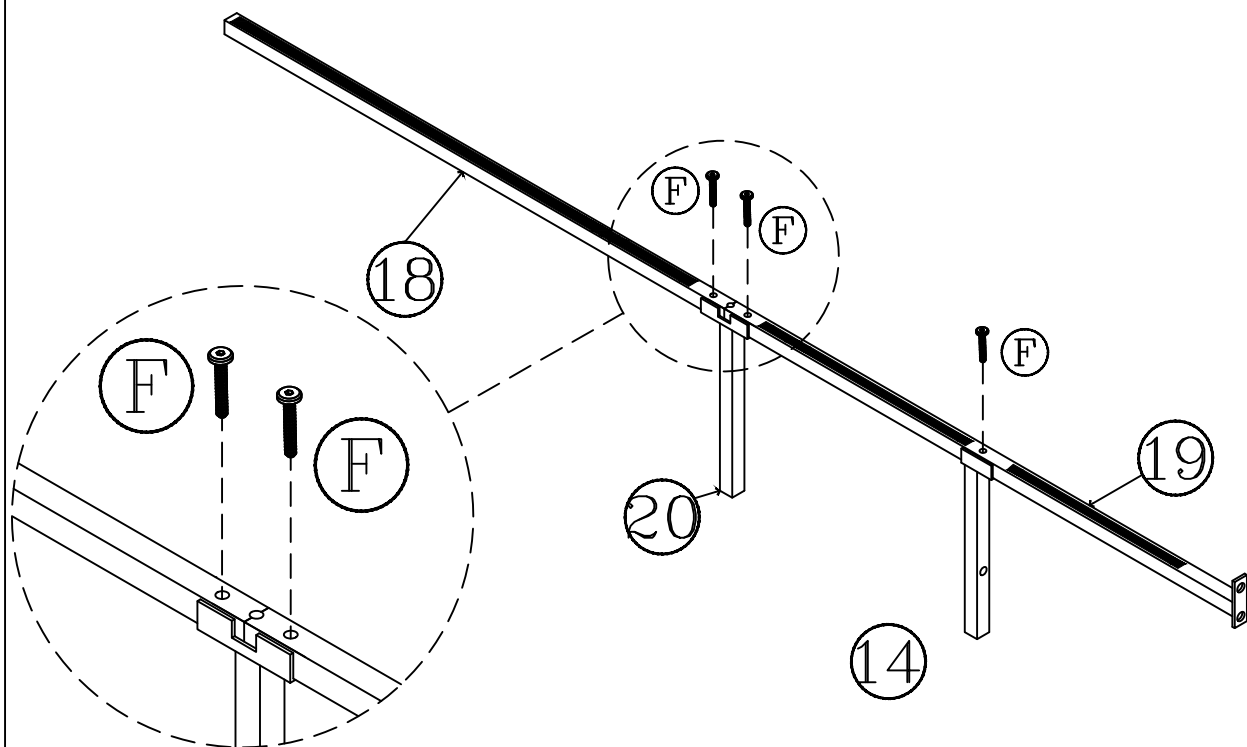
A	 M6*11mm	8PCS
---	--	------


22



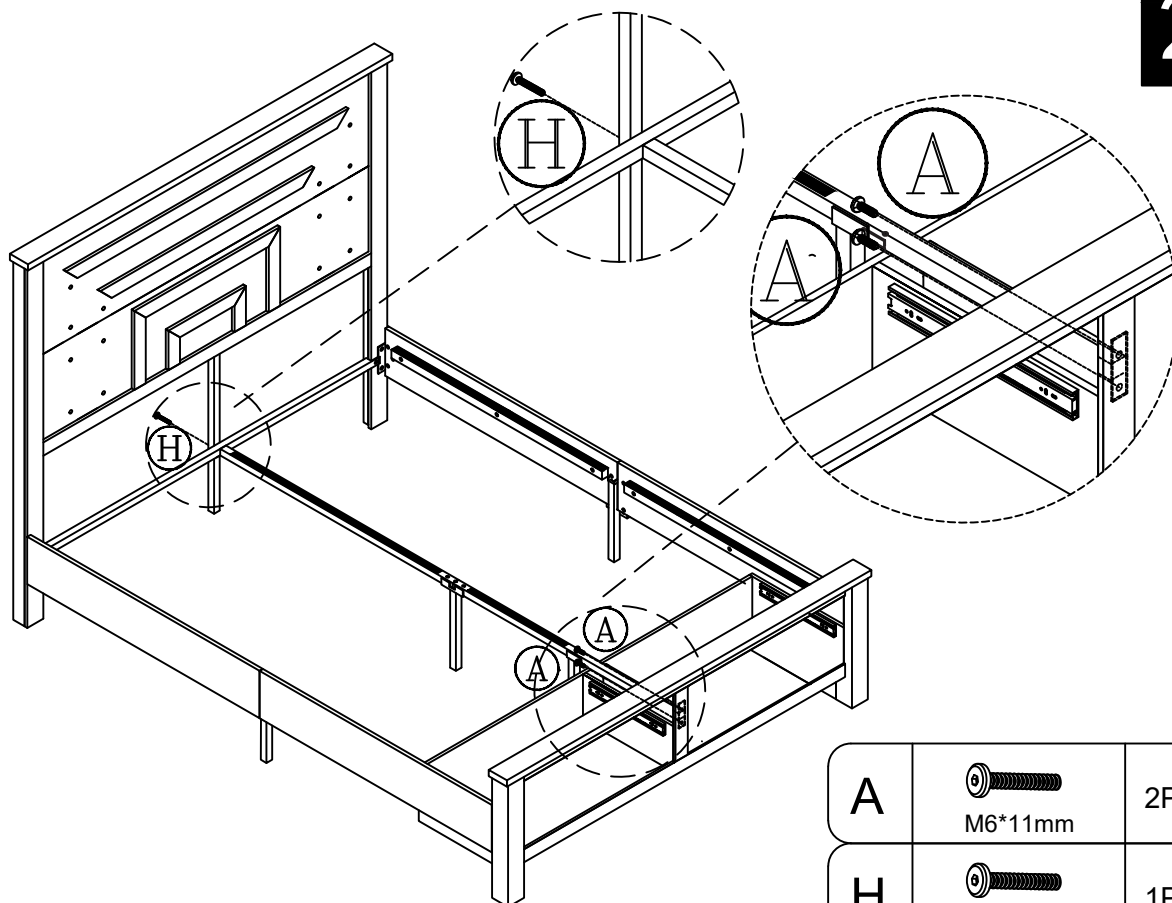
A	 M6*11mm	12PCS
---	--	-------



23



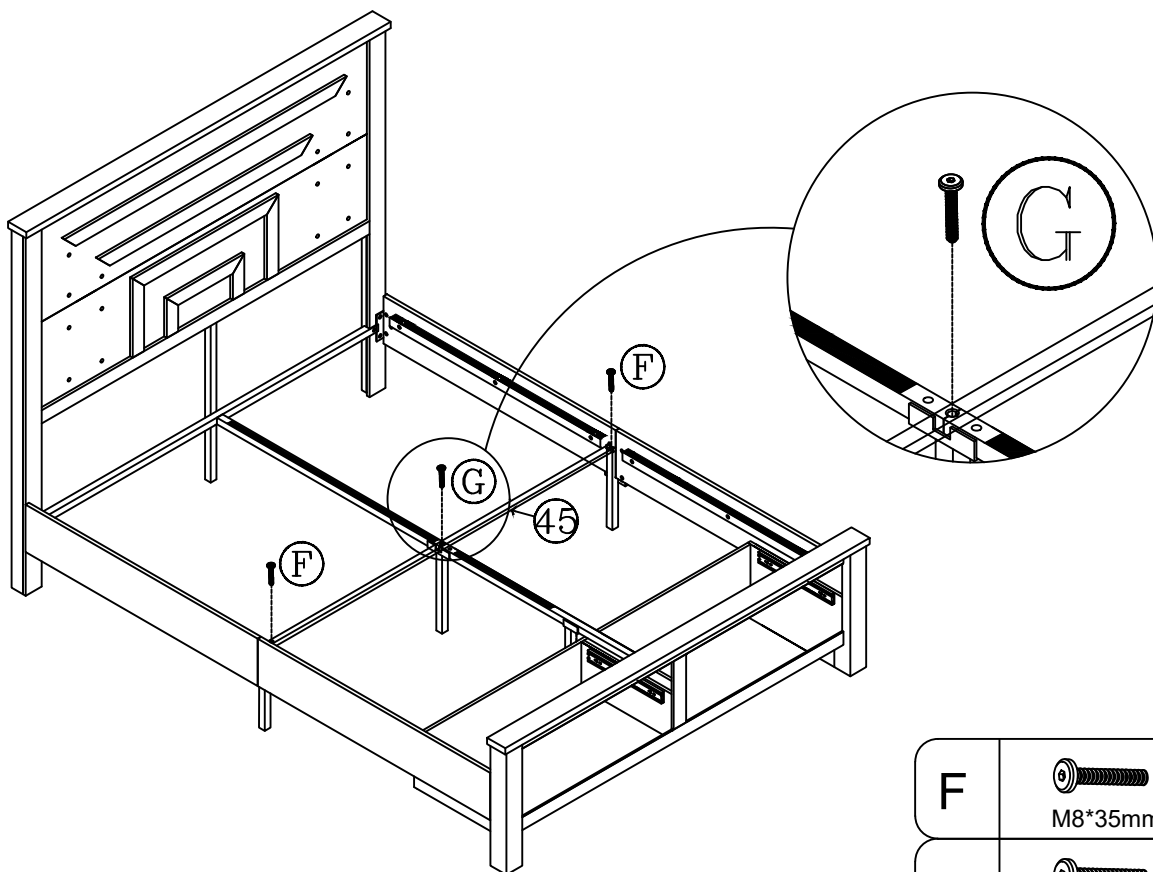
F	 M8*35mm	3PCS
---	--	------



24



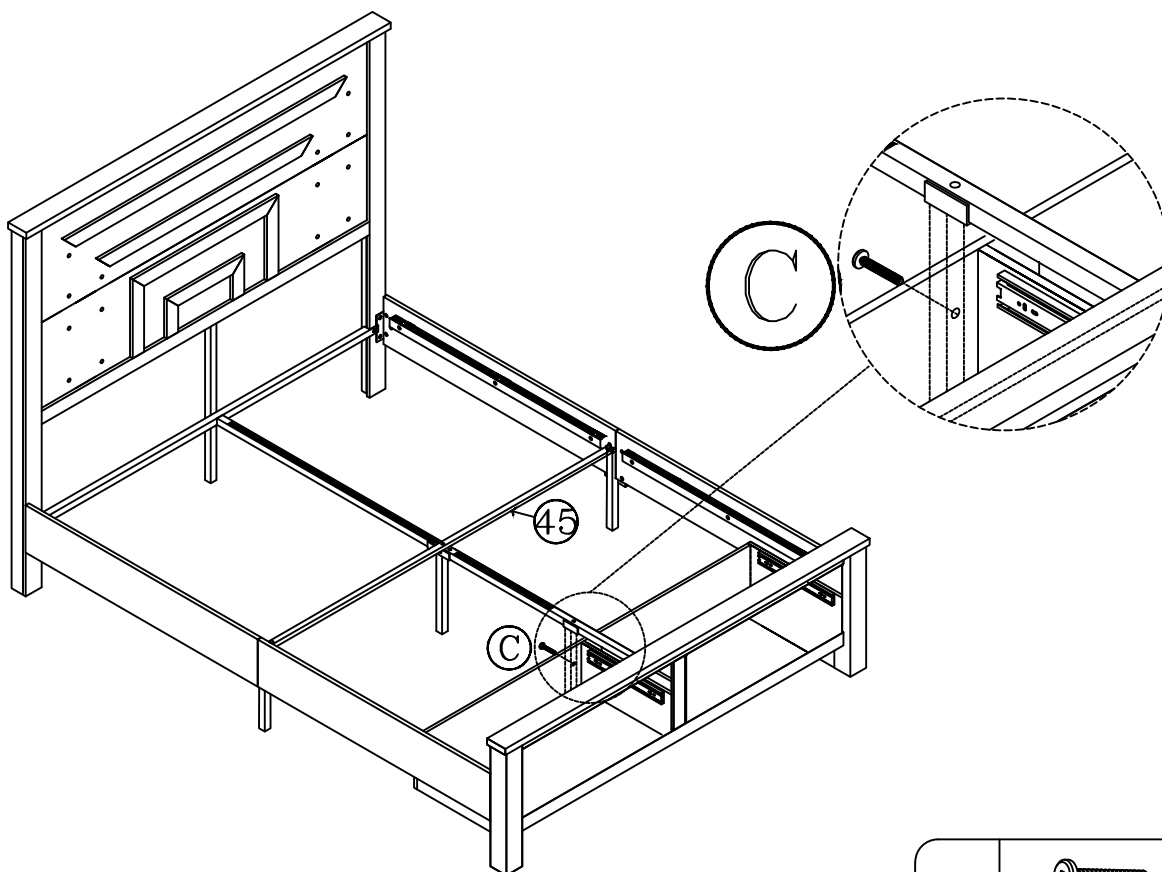
A	 M6*11mm	2PCS
H	 M8*65mm	1PC

25



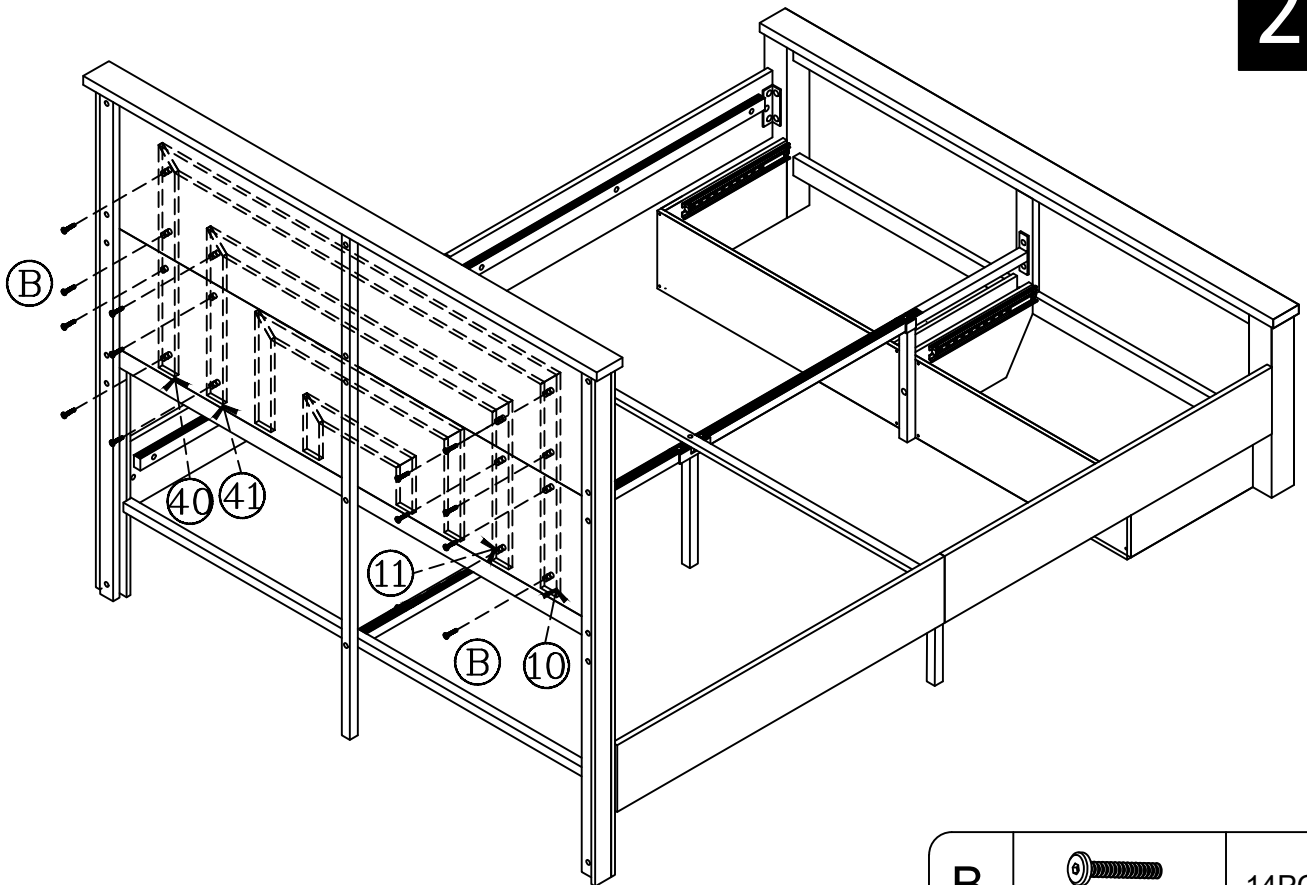
F	 M8*35mm	2PCS
G	 M8*50mm	1PC


26



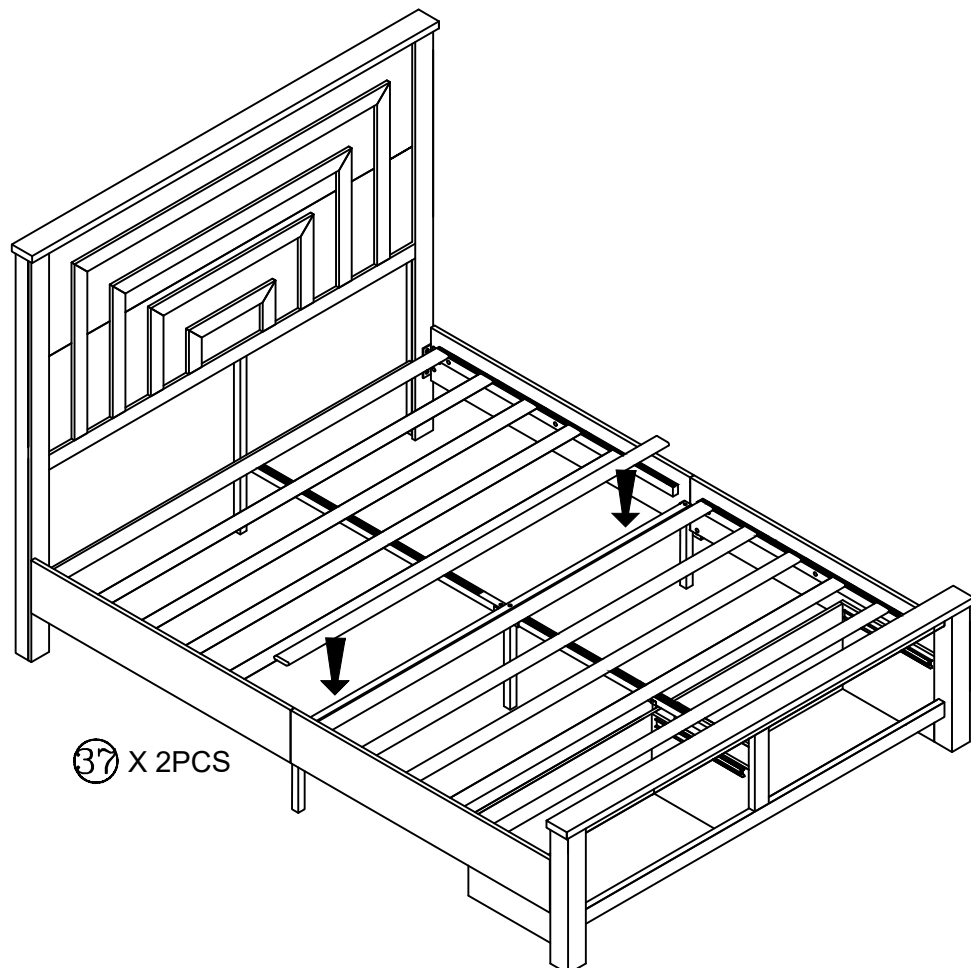
C	 M6*30mm	1PC
---	--	-----

27

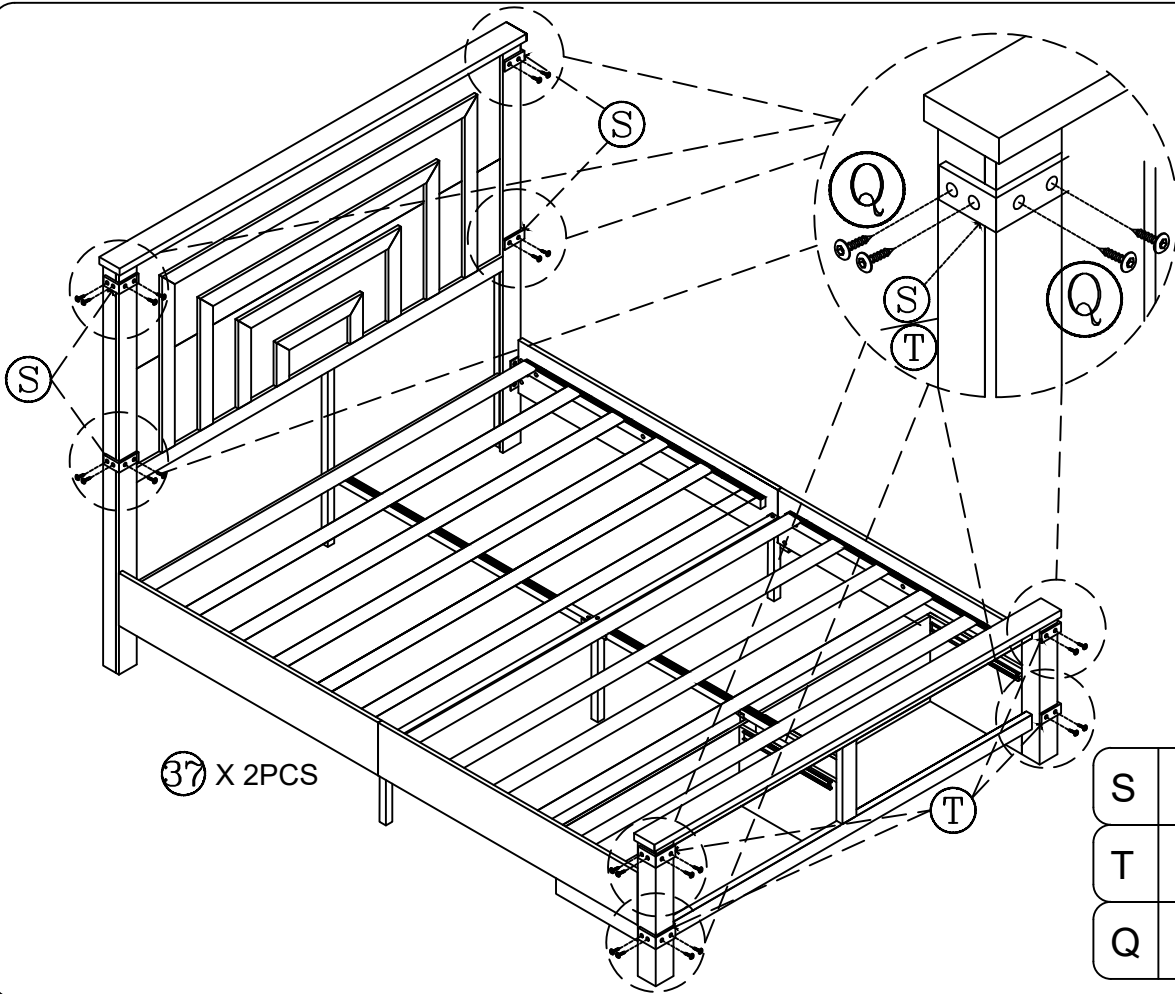


B	 M6*20mm	14PCS
---	--	-------

28



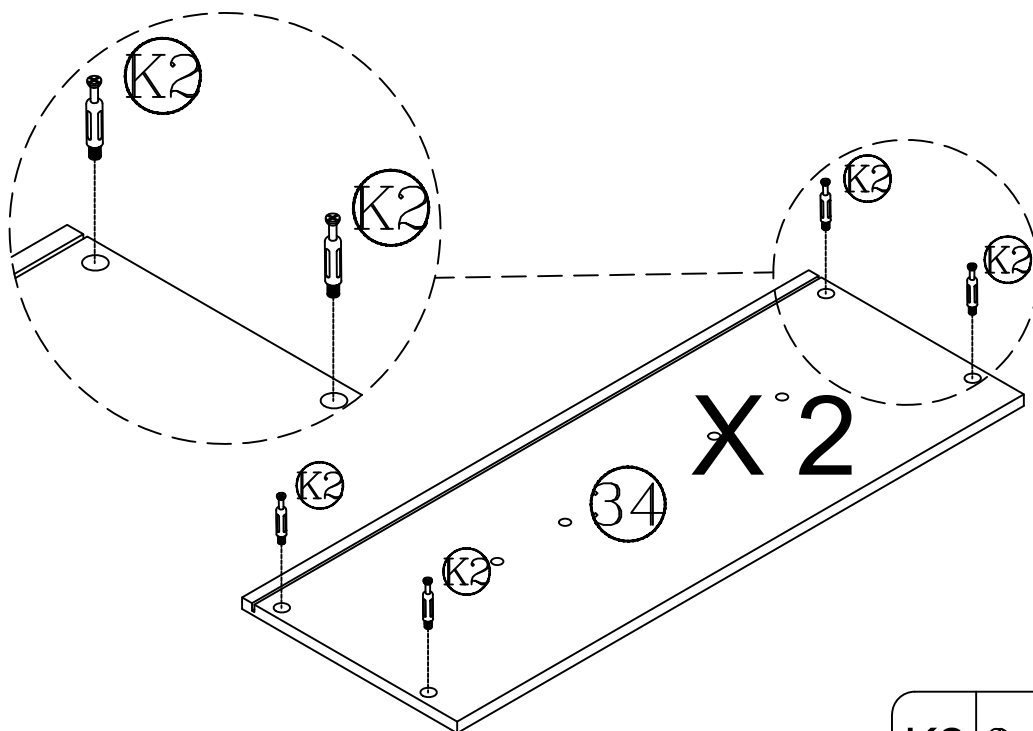
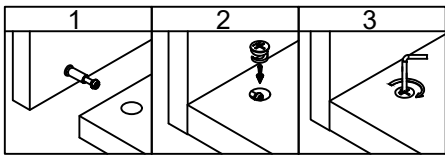
29



37 X 2PCS

S		4PCS
T		4PCS
Q	M5*12mm	32PCS

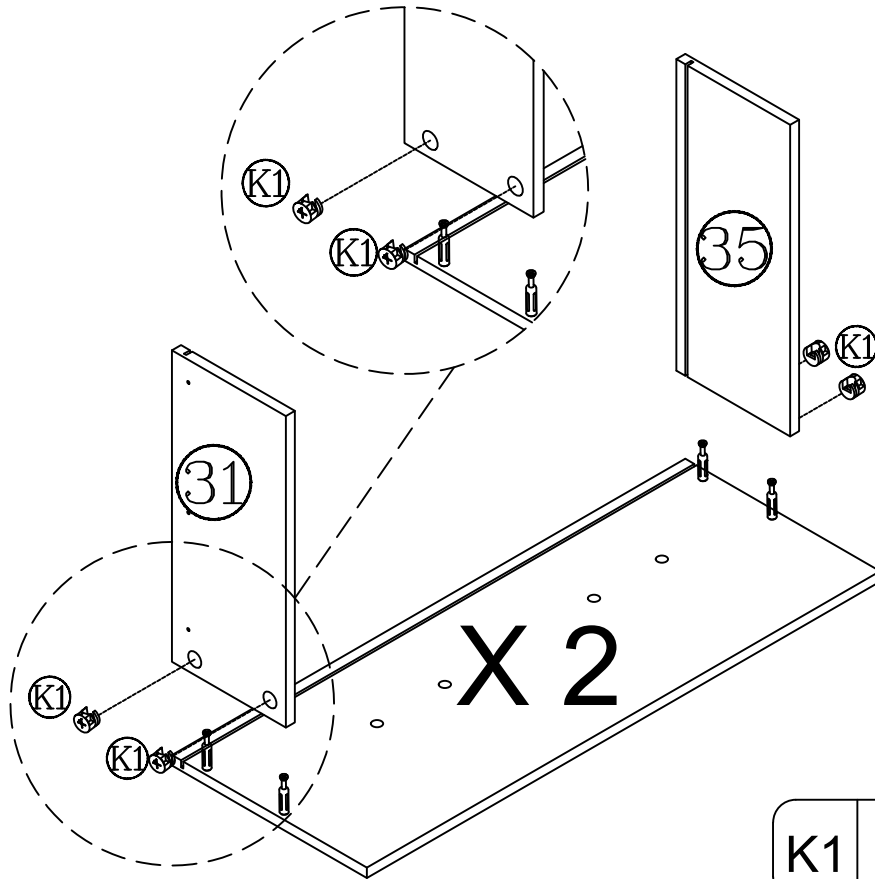
30



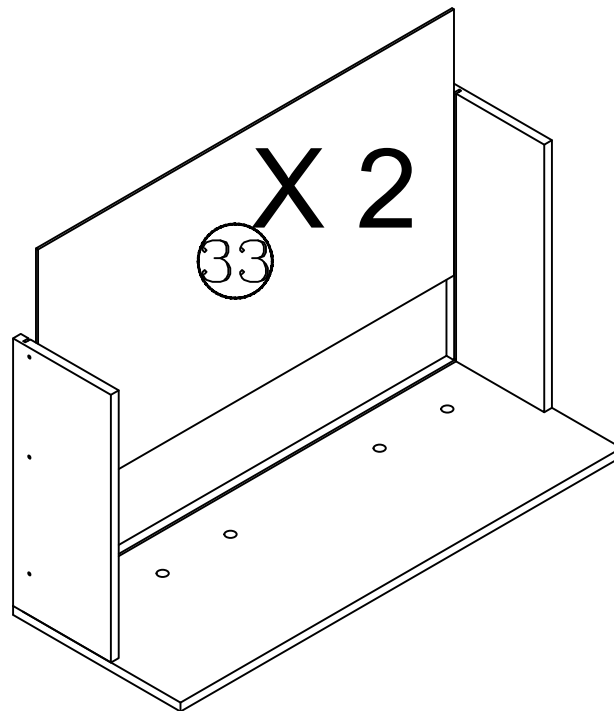
34 X 2

K2		8PCS
----	--	------

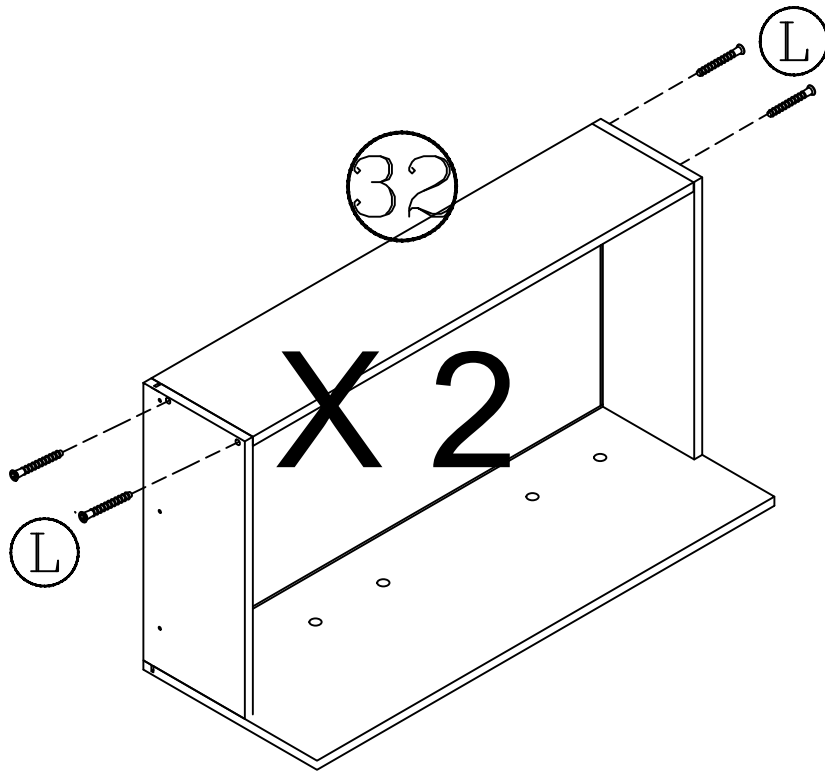
31

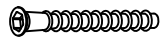


32

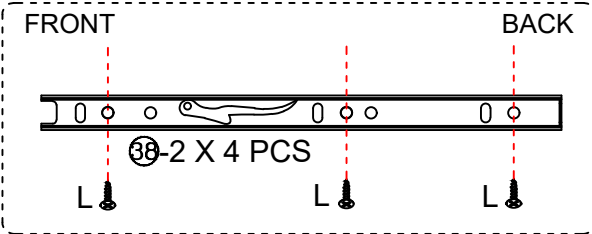


33

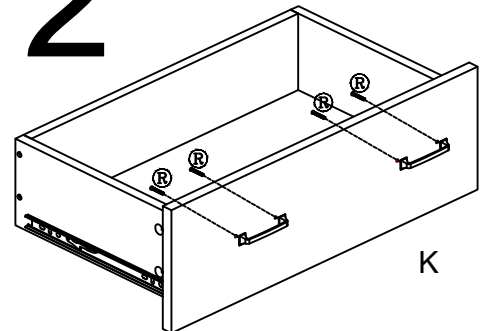
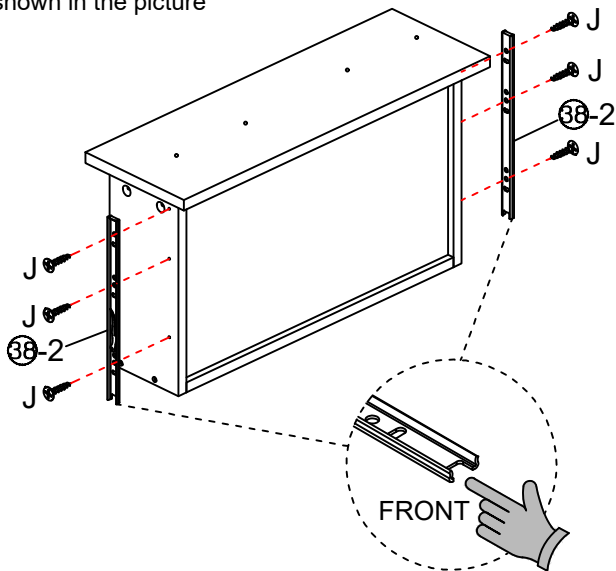



L		8PCS
---	---	------


34



Make sure part 38-2 faces the same direction as shown in the picture

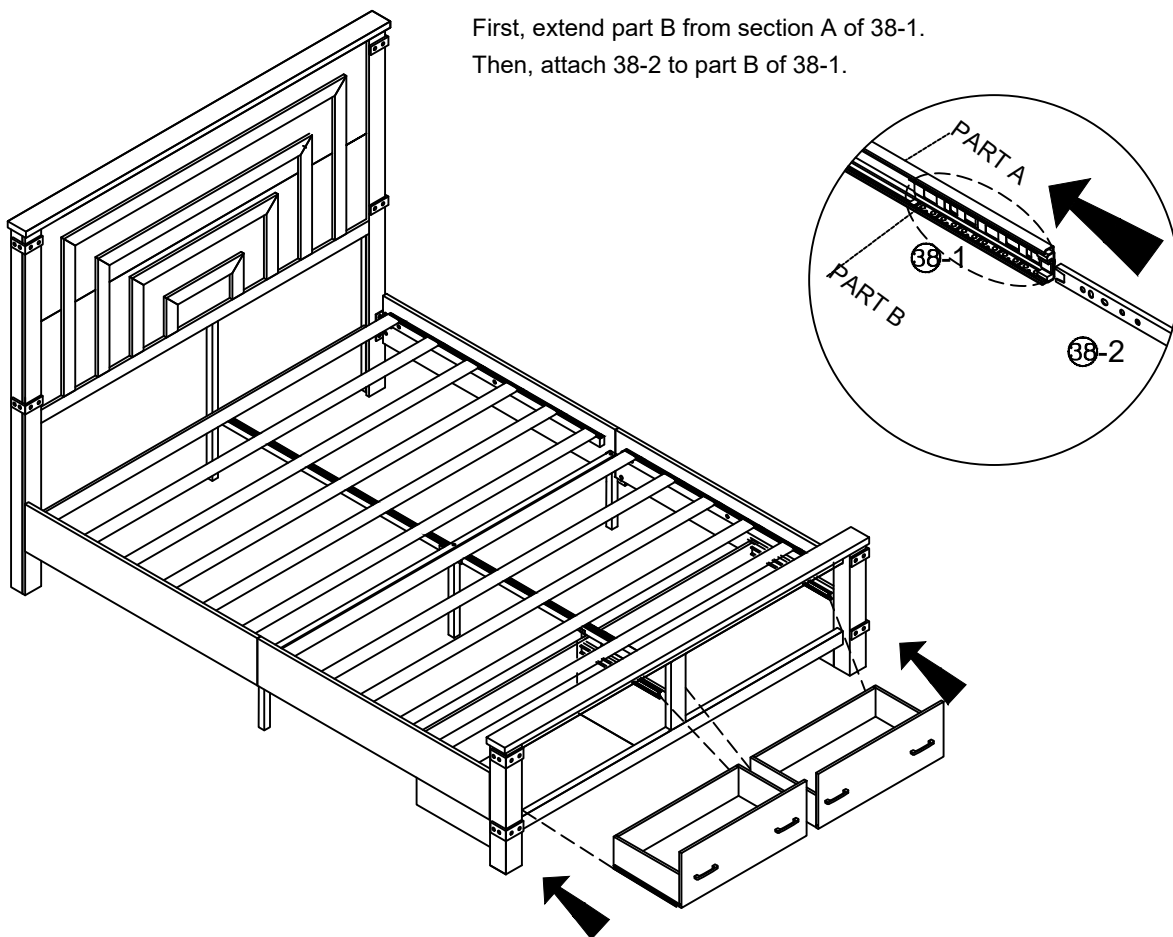


J	 M4*12mm	12PCS
---	--	-------

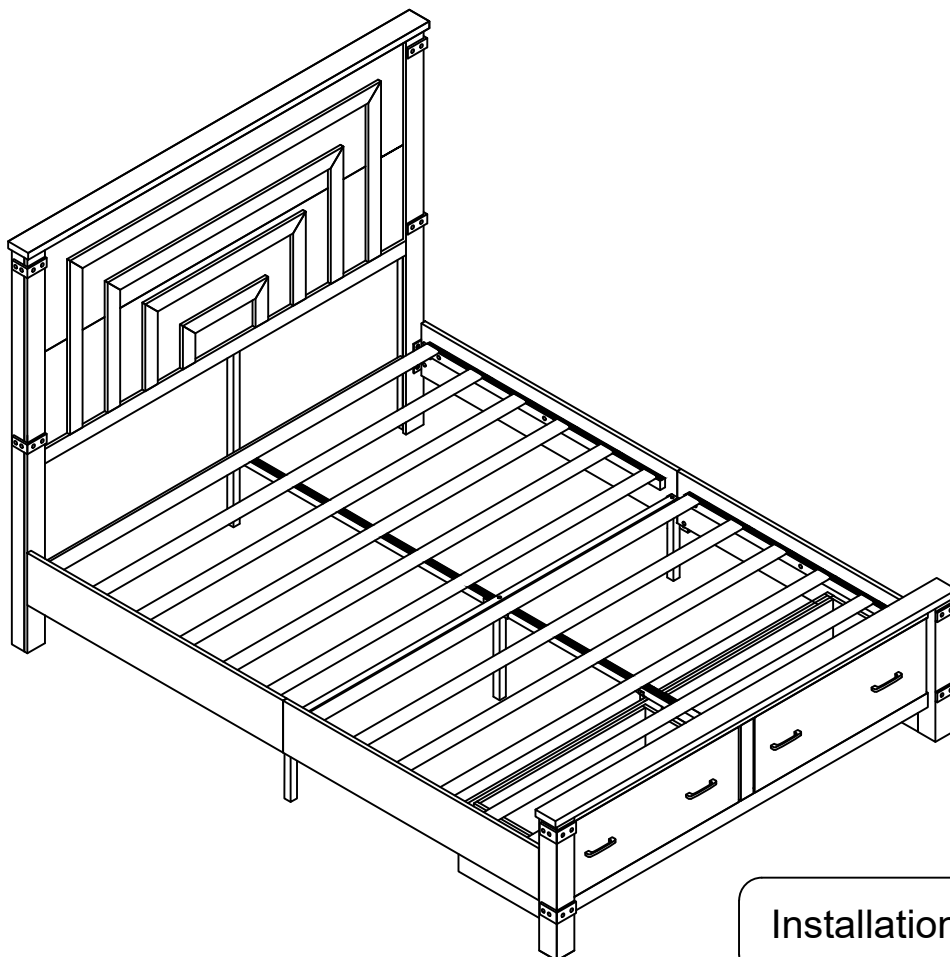
R		8PCS
---	---	------

35

First, extend part B from section A of 38-1.
Then, attach 38-2 to part B of 38-1.



36



Installation Complete