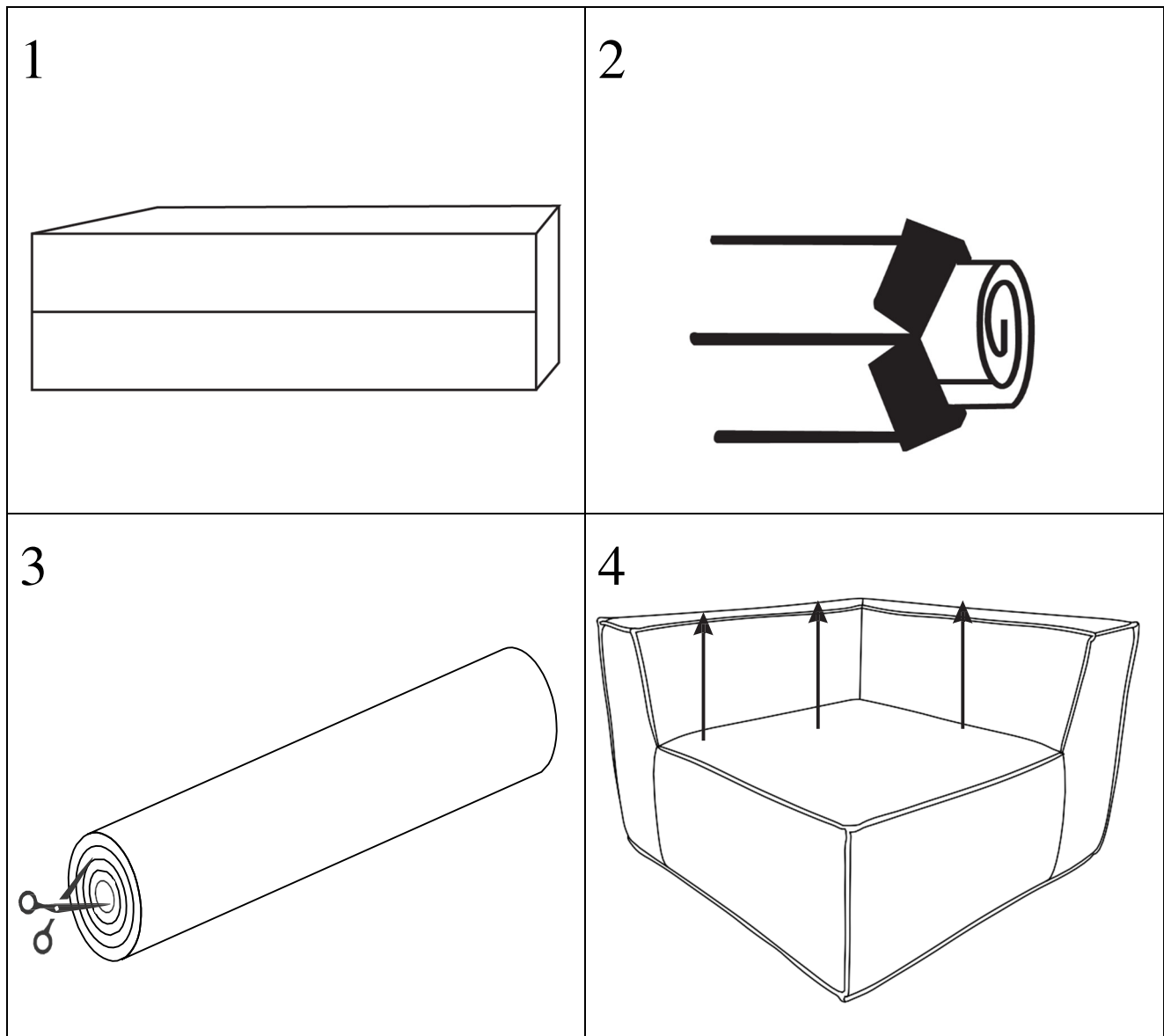


# COMPRESSED SOFA ASSEMBLY INSTRUCTIONS



1. Open the outer box
2. Remove the plastic wrapped product from the outer box.
3. Cut open the plastic wrapped product
4. Because the product is compressed for delivery, please allow up to 48 hours for the item to expand.

**CLEANING INSTRUCTIONS:** Clean with a soft cloth, brush or lightly vacuum

## ADULT ASSEMBLY REQUIRED

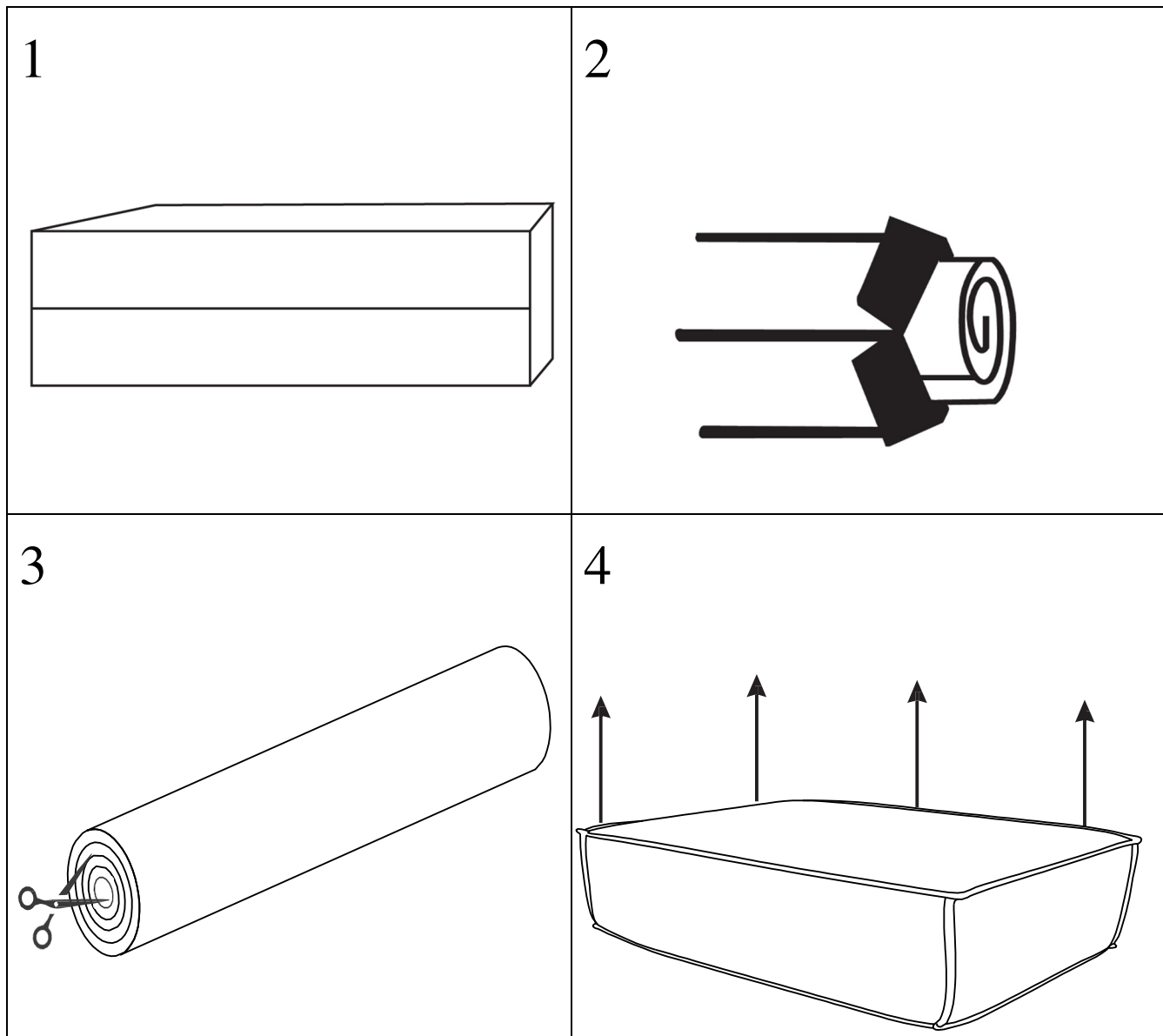
If you are missing any parts or have any questions regarding assembly, do not return this item to the retailers store. Please call our toll-free, customer service number and have this assembly manual open to the parts list ready to provide the model name, number and part name or number.

### Customer Service

1-877-864-5752  
8:30 AM PST - 4:00 PM PST (Monday-Friday)  
Website: [www.dwellhom.com](http://www.dwellhom.com)  
Missing Parts: [parts@dwellhom.com](mailto:parts@dwellhom.com)  
Warranty Information: [www.dwellhom.com/warranty](http://www.dwellhom.com/warranty)



# COMPRESSED SOFA ASSEMBLY INSTRUCTIONS



1. Open the outer box
2. Remove the plastic wrapped product from the outer box.
3. Cut open the plastic wrapped product
4. Because the product is compressed for delivery, please allow up to 48 hours for the item to expand.

**CLEANING INSTRUCTIONS:** Clean with a soft cloth, brush or lightly vacuum

## ADULT ASSEMBLY REQUIRED

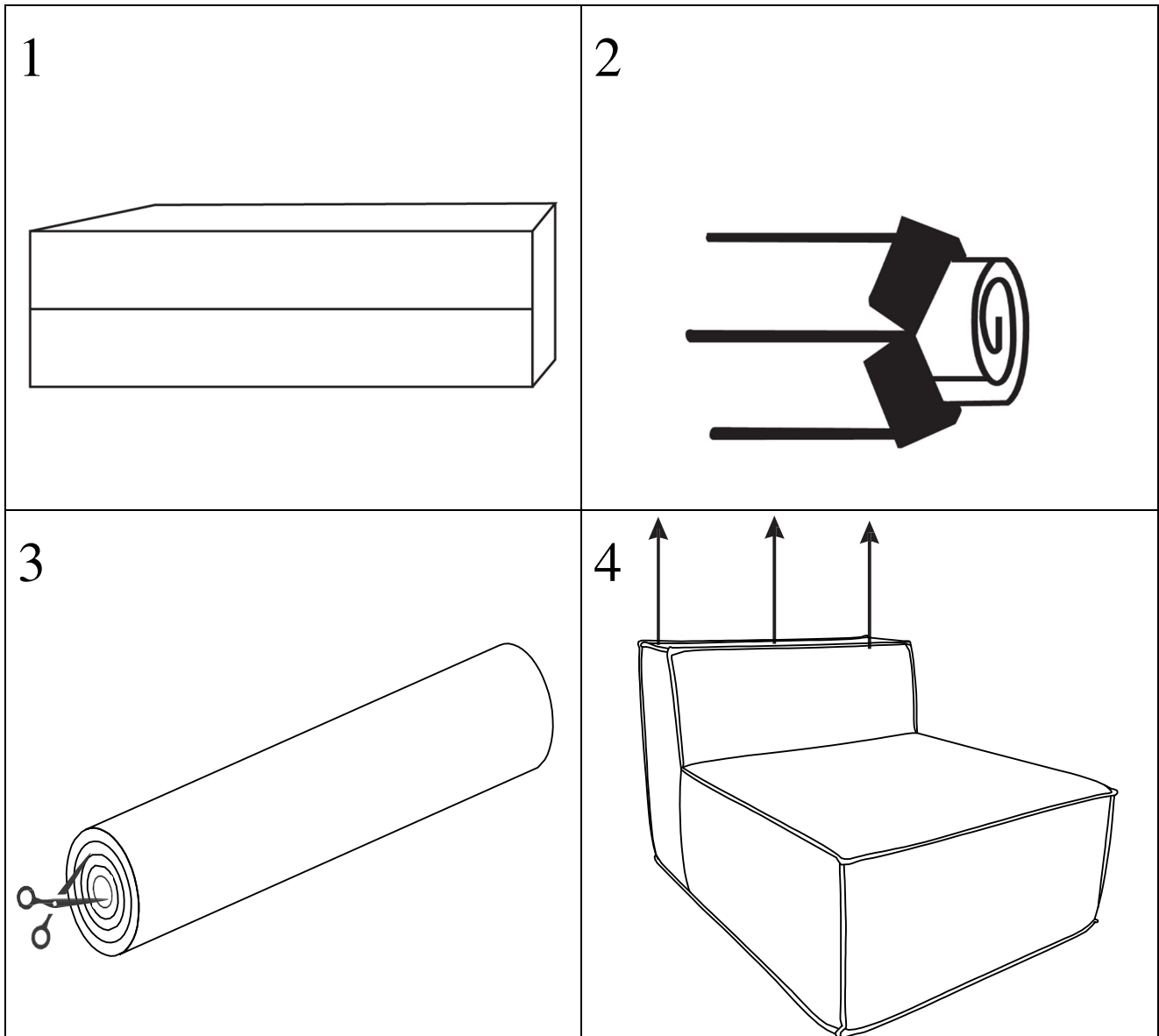
If you are missing any parts or have any questions regarding assembly, do not return this item to the retailers store. Please call our toll-free, customer service number and have this assembly manual open to the parts list ready to provide the model name, number and part name or number.

### Customer Service

1-877-864-5752  
8:30 AM PST - 4:00 PM PST (Monday-Friday)  
Website: [www.dwellhom.com](http://www.dwellhom.com)  
Missing Parts: [parts@dwellhom.com](mailto:parts@dwellhom.com)  
Warranty Information: [www.dwellhom.com/warranty](http://www.dwellhom.com/warranty)



# COMPRESSED SOFA ASSEMBLY INSTRUCTIONS



1. Open the outer box
2. Remove the plastic wrapped product from the outer box.
3. Cut open the plastic wrapped product
4. Because the product is compressed for delivery, please allow up to 48 hours for

**CLEANING INSTRUCTIONS:** Clean with a soft cloth, brush or lightly vacuum

## ADULT ASSEMBLY REQUIRED

If you are missing any parts or have any questions regarding assembly, do not return this item to the retailers store. Please call our toll-free, customer service number and have this assembly manual open to the parts list ready to provide the model name, number and part name or number.

### Customer Service

1-877-864-5752  
8:30 AM PST - 4:00 PM PST (Monday-Friday)  
Website: [www.dwellhom.com](http://www.dwellhom.com)  
Missing Parts: [parts@dwellhom.com](mailto:parts@dwellhom.com)  
Warranty Information: [www.dwellhom.com/warranty](http://www.dwellhom.com/warranty)

