

# TWIN BED ASSEMBLY INSTRUCTION

Thank you for purchasing this quality product. Be sure to check all packing material carefully for small parts which may have come loose inside the carton during shipment. Separate, identify and count all parts and hardware. Compare with the parts list to be sure all parts are present.

**IMPORTANT : PLEASE READ INSTRUCTION BEFORE STARTING THE ASSEMBLY.**

**"DO NOT TIGHTEN SCREWS UNTIL COMPLETELY ASSEMBLED"**

**"DO NOT OVERTIGHT ANY HARDWARE"**

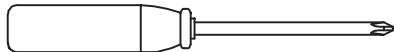
**WARNING : SMALL PARTS AND HARDWARE NOT FOR CHILDREN UNDER 3 YEARS. ADULT ASSEMBLY REQUIRED.**

## TABLE OF CONTENTS

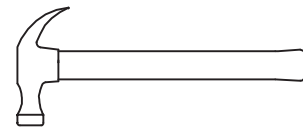
|                    |             |
|--------------------|-------------|
| HARDWARES LIST     | PAGE 2      |
| PARTS LIST         | PAGE 3 - 4  |
| PARTS' LOCATION    | PAGE 5      |
| ASSEMBLY STEPS     | PAGE 6 - 10 |
| ASSEMBLY COMPLETED | PAGE 10     |

## ASSEMBLY TOOLS REQUIRED

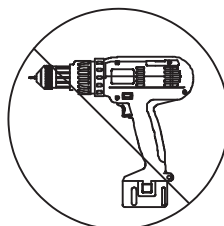
### 1. Screwdriver (not provide)



### 2. Hammer (not provide)

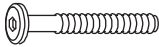

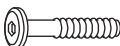








Skip the power drill this time.



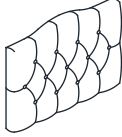
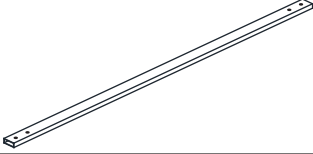
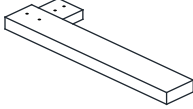
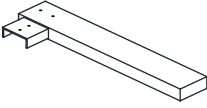
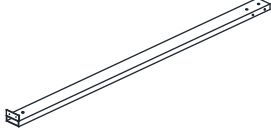
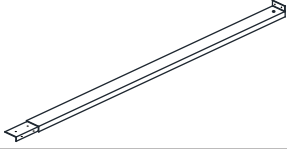
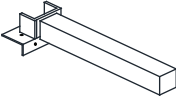
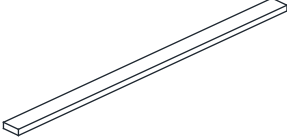
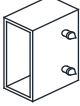
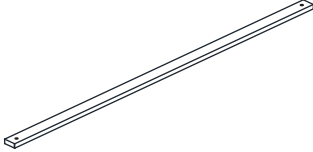
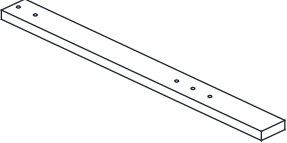
# TWIN BED ASSEMBLY INSTRUCTION

## HARDWARES LIST

| ITEM | DESCRIPTION             | DRAWING  | QTY    |
|------|-------------------------|--|--------|
| A    | JCBC SCREW M8 x 50MM    |    | 4 PCS  |
| B    | JCBC SCREW M6 x 15MM    |     | 20 PCS |
| C    | JCBC SCREW M6 x 35MM    |    | 4 PCS  |
| D    | SPRING WASHER M6 x 12MM |     | 4 PCS  |
| E    | FLAT WASHER M6 x 19MM   |     | 4 PCS  |
| F    | SPRING WASHER M8 x 13MM |  | 4 PCS  |
| G    | FLAT WASHER M8 x 22MM   |  | 4 PCS  |
| H    | M4 ALLEN KEY (100MM)    |  | 1 PC   |
| I    | M5 ALLEN KEY (65MM)     |  | 1 PC   |

# TWIN BED ASSEMBLY INSTRUCTION




## PARTS LIST

| ITEM | DESCRIPTION             | DRAWING  | QTY    |
|------|-------------------------|--|--------|
| 1    | HEADBOARD               |    | 1 PC   |
| 2    | FOOTBOARD<br>METAL TUBE |    | 1 PC   |
| 3    | FOOTBOARD LEG (L)       |    | 1 PC   |
| 4    | FOOTBOARD LEG (R)       |    | 1 PC   |
| 5    | SIDE RAIL               |   | 2 PCS  |
| 6    | SIDE RAIL               |  | 2 PCS  |
| 7    | SIDE RAIL LEG           |  | 2 PCS  |
| 8    | SLAT                    |  | 12 PCS |
| 9    | SOCKET                  |  | 24 PCS |
| 10   | SUPPORT RAIL            |  | 2 PCS  |
| 11   | HEADBOARD LEG           |  | 2 PCS  |

MORE PARTS DETAIL IN NEXT PAGE...

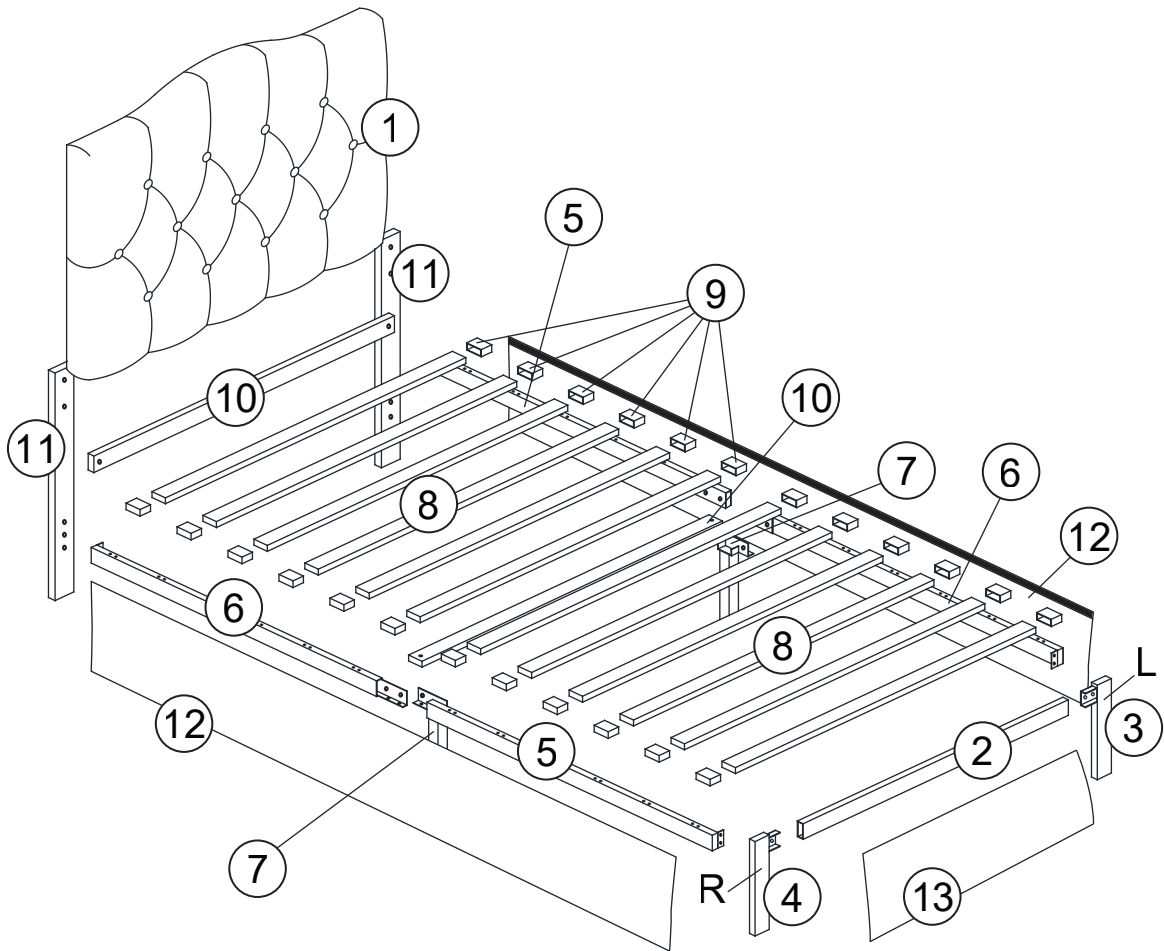
# TWIN BED ASSEMBLY INSTRUCTION

## PARTS LIST

| ITEM | DESCRIPTION     | DRAWING  | QTY   |
|------|-----------------|--|-------|
| 12   | SIDE RAIL COVER |  | 2 PCS |
| 13   | FOOTBOARD COVER |  | 1 PC  |
| 24   | VELCRO TAPE     |  | 1 PC  |

# TWIN BED ASSEMBLY INSTRUCTION

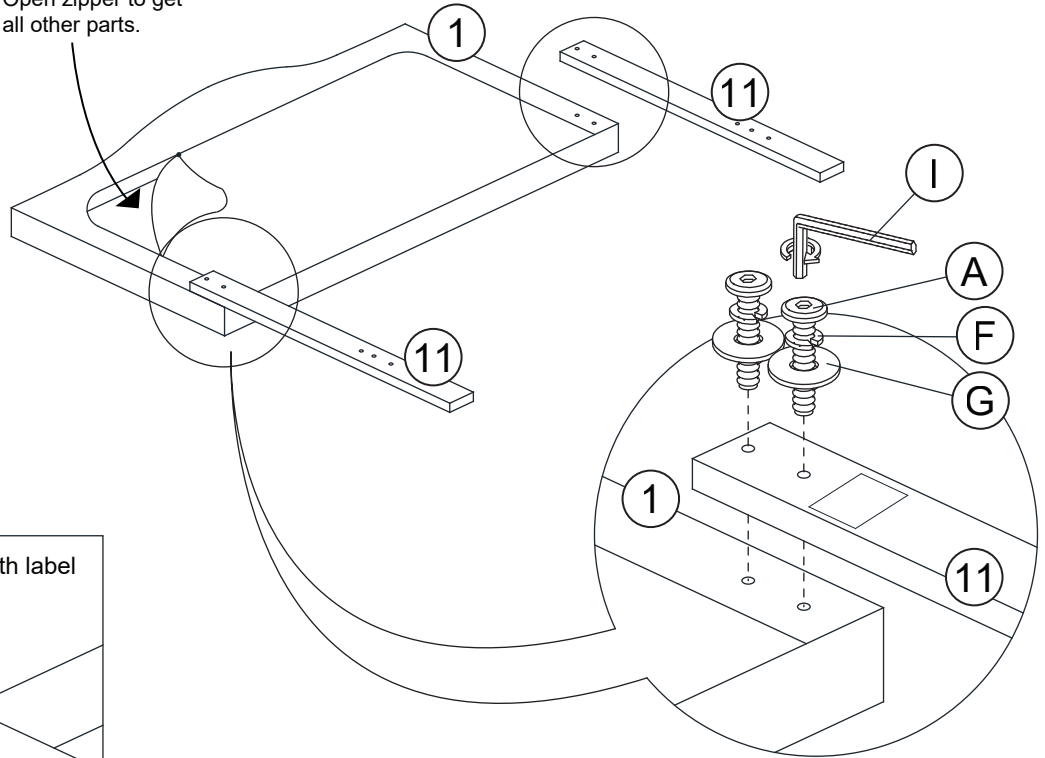
## PARTS ' LOCATION



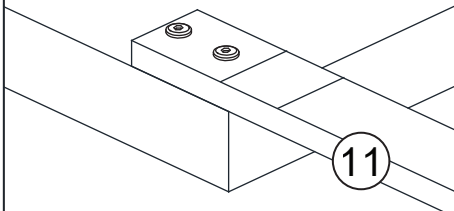
# TWIN BED ASSEMBLY INSTRUCTION

## STEP 1

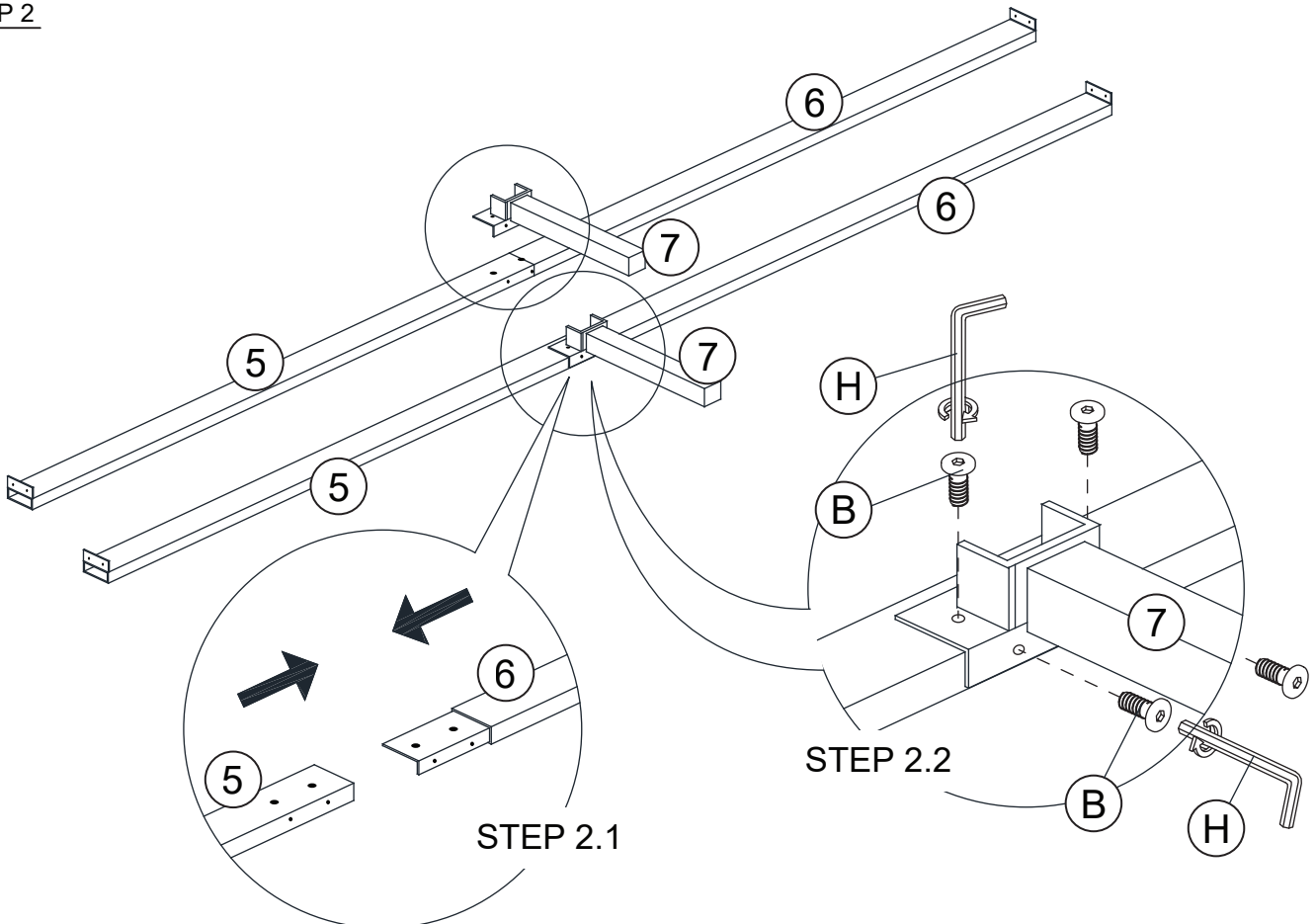
Open zipper to get all other parts.



REMARK : Headboard leg with label facing backward

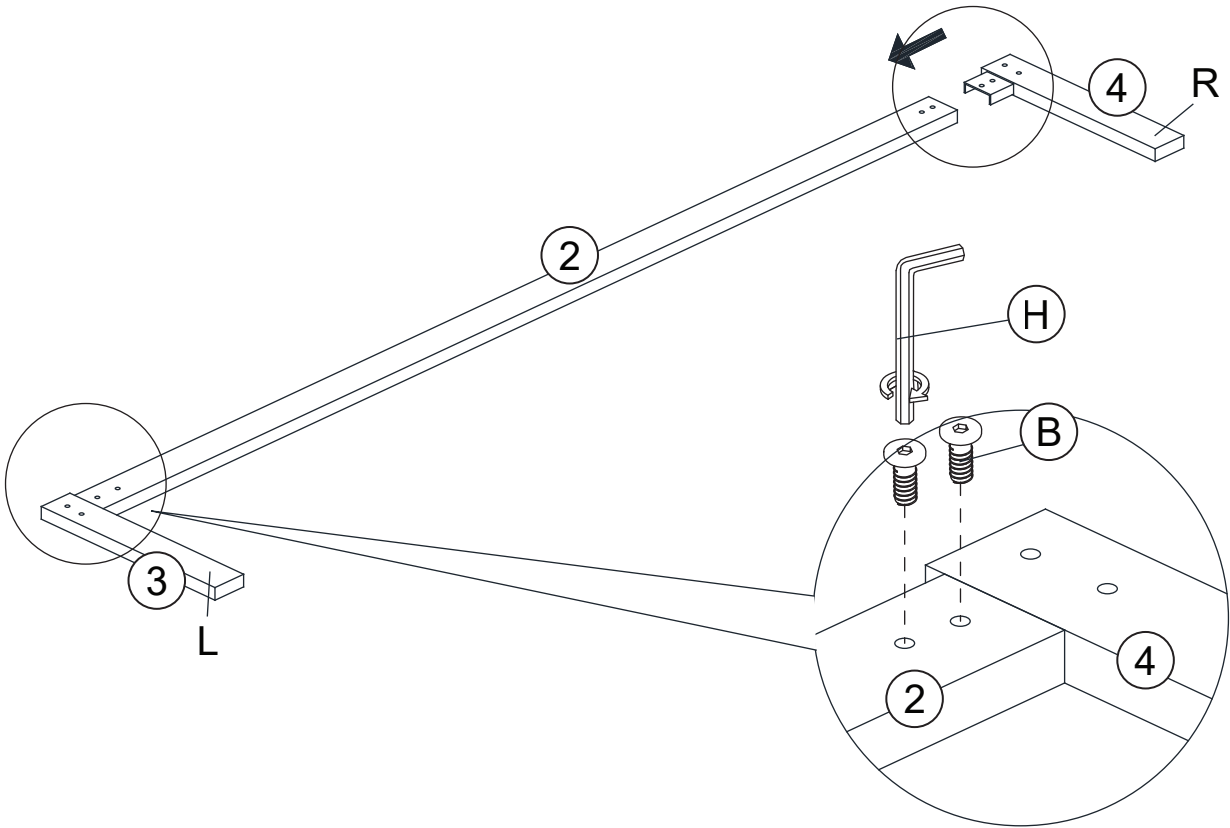


## STEP 2

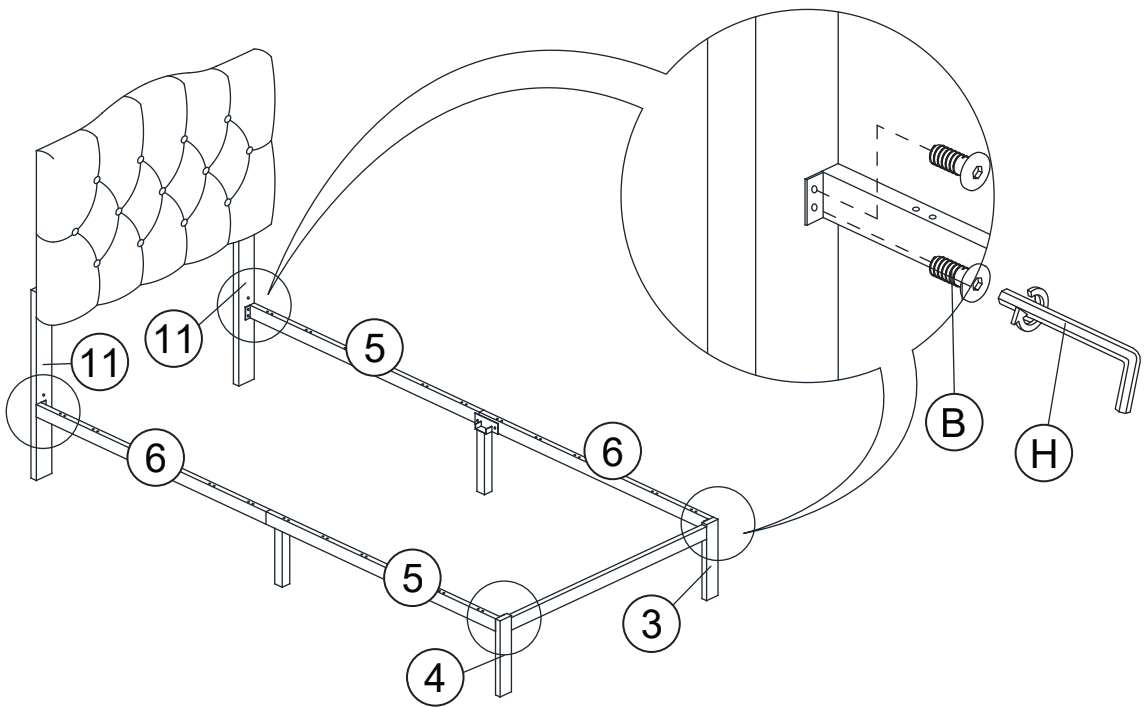


# TWIN BED ASSEMBLY INSTRUCTION

## STEP 3

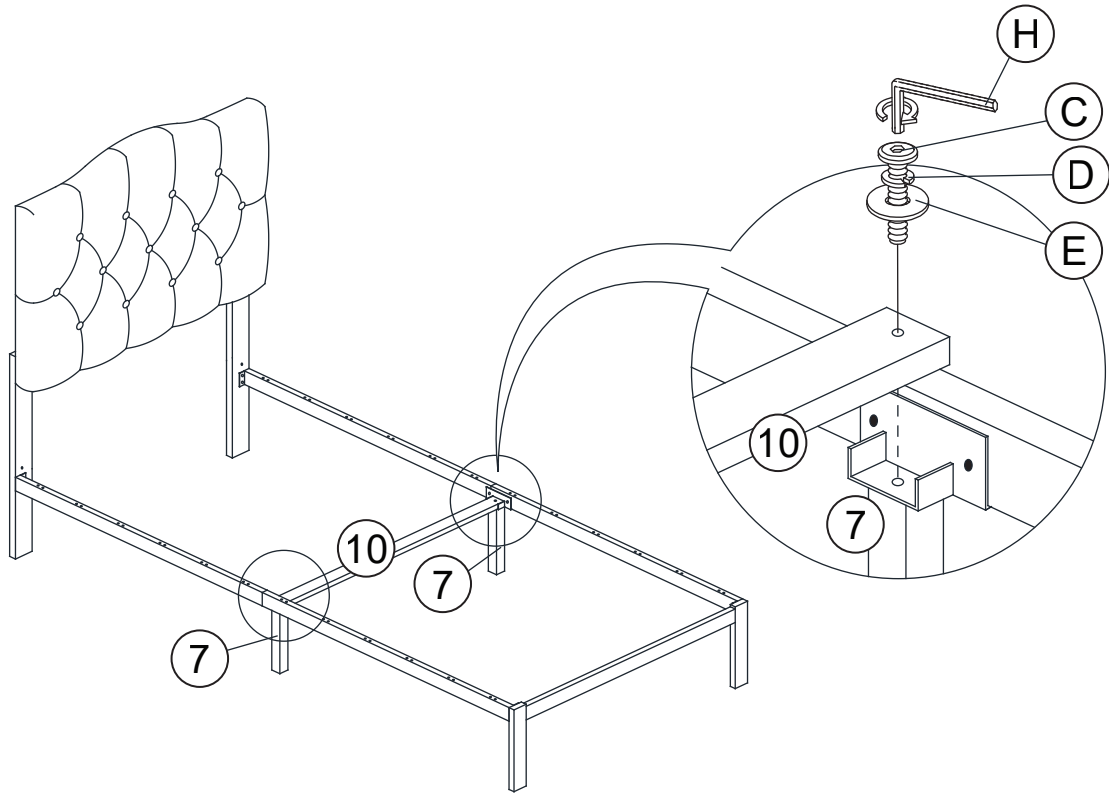


## STEP 4

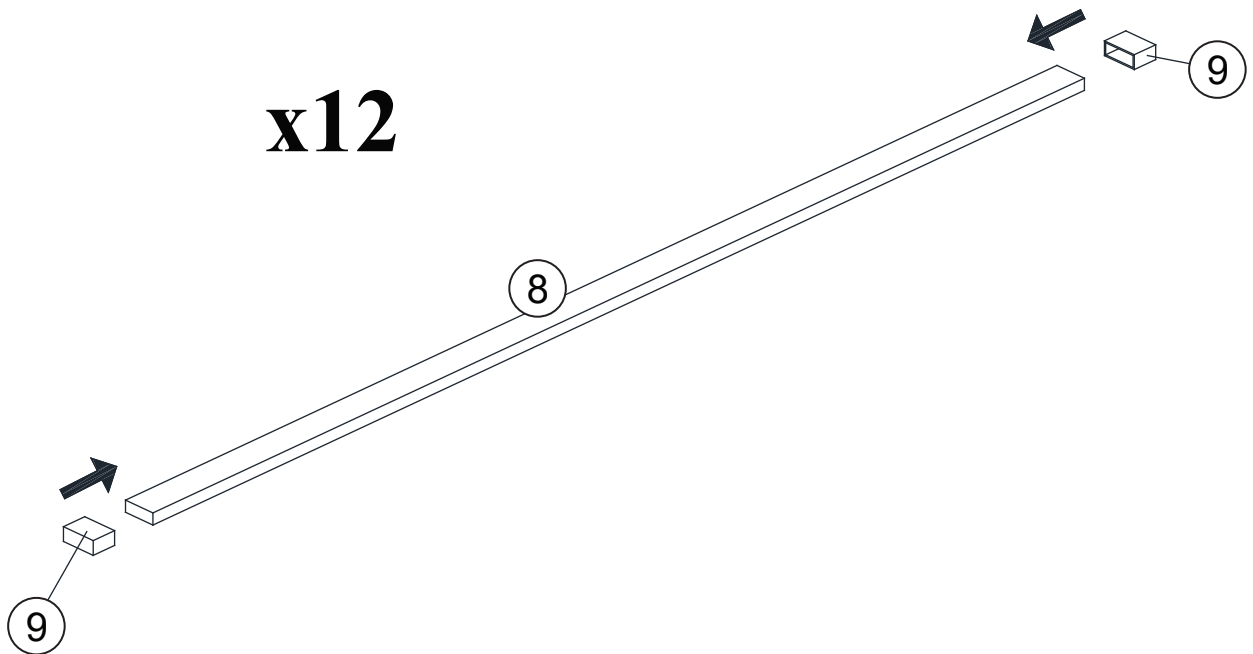


# TWIN BED ASSEMBLY INSTRUCTION

## STEP 5

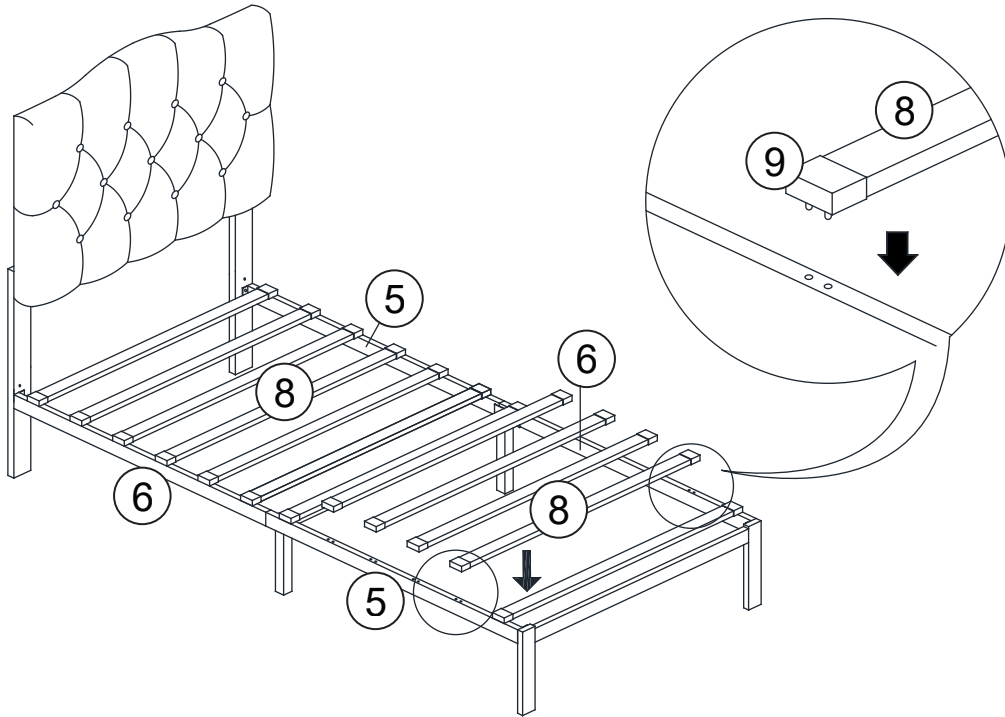


## STEP 6

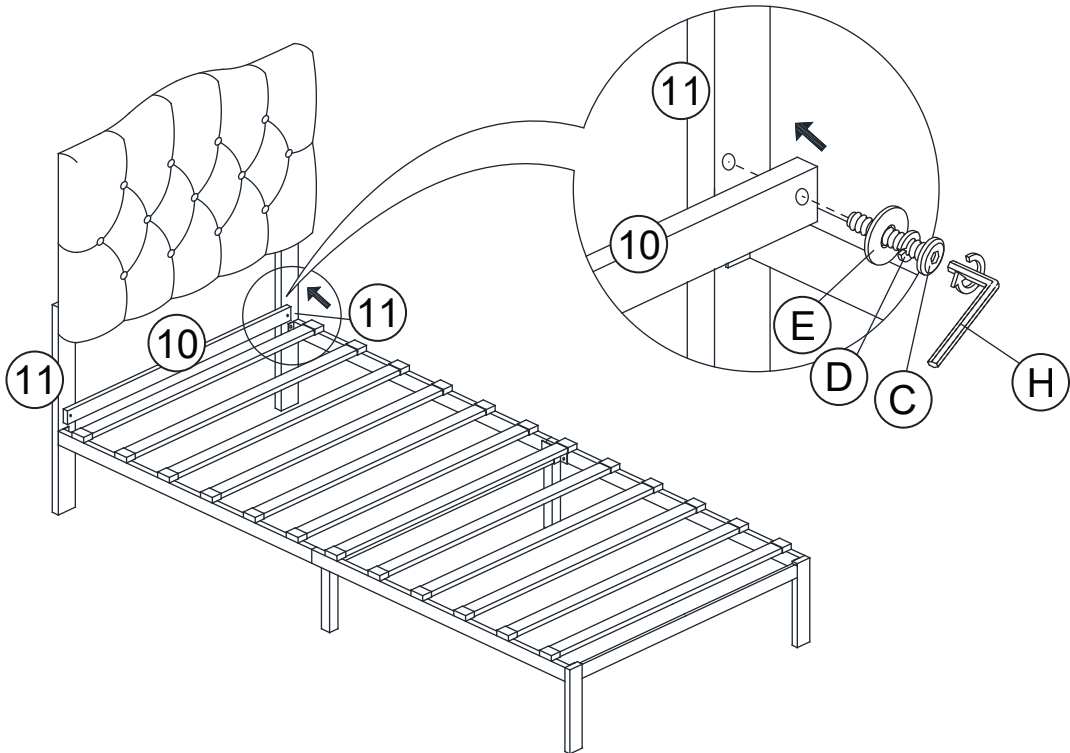


# TWIN BED ASSEMBLY INSTRUCTION

## STEP 7

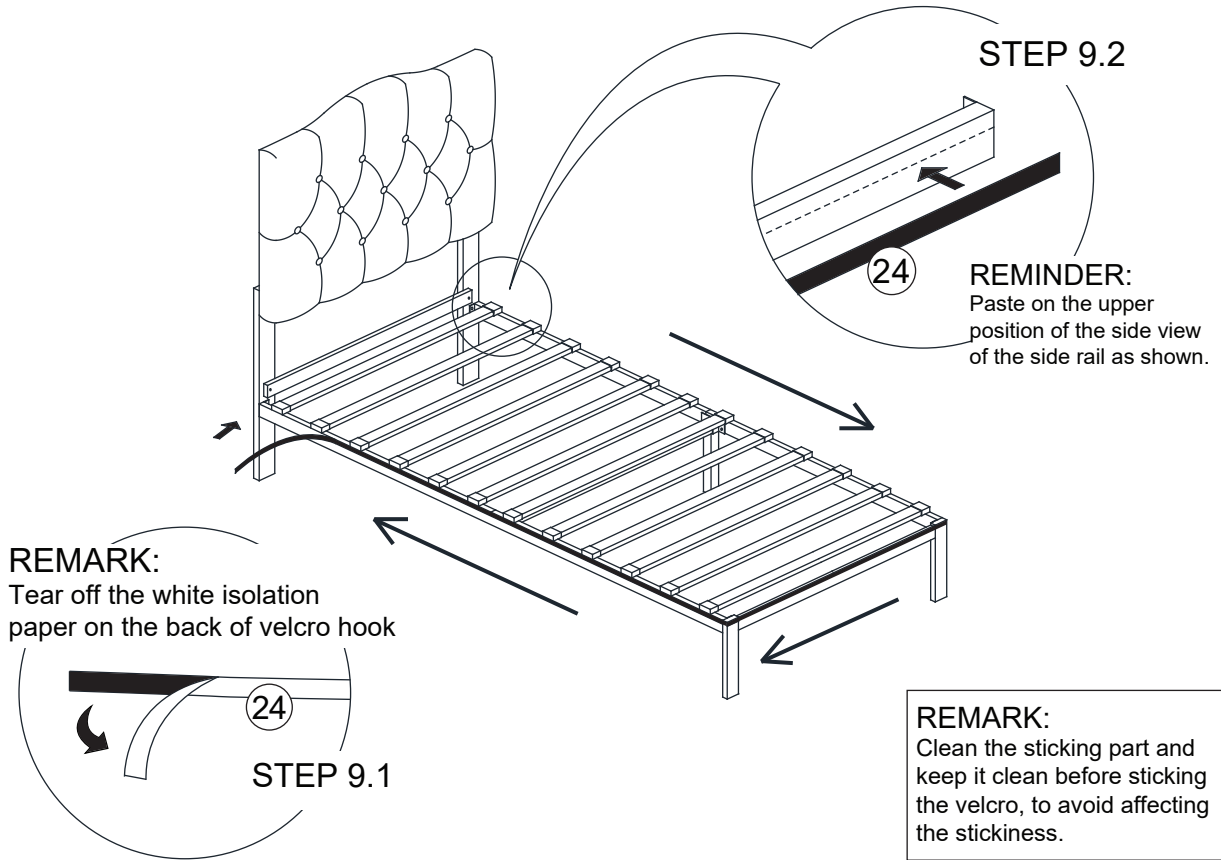


## STEP 8



# TWIN BED ASSEMBLY INSTRUCTION

## STEP 9



## STEP 10

