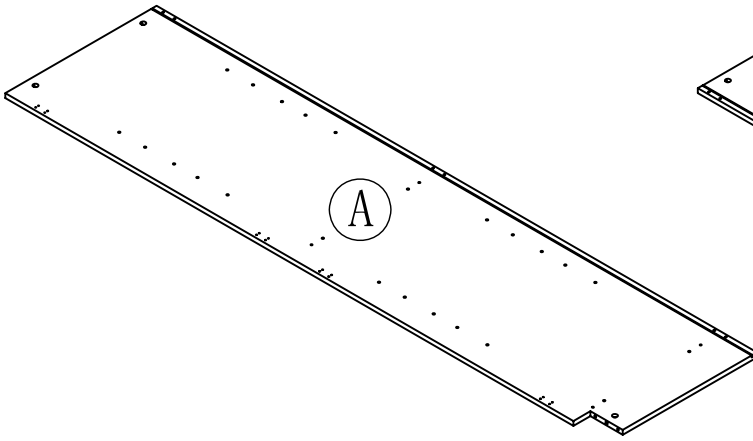
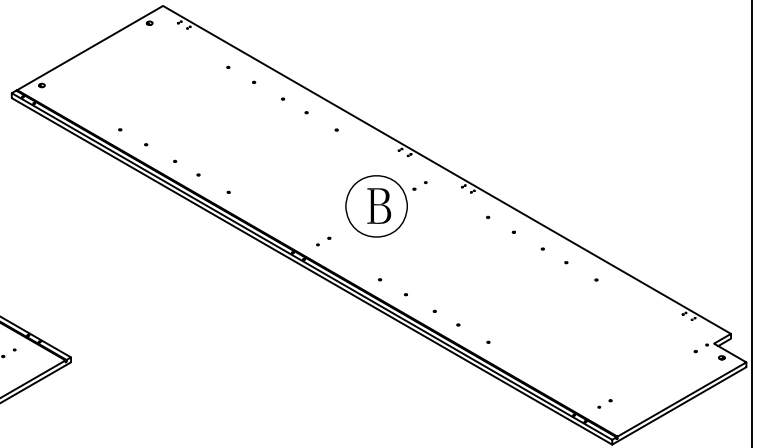


ASSEMBLY INSTRUCTIONS

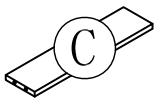
PARTS LIST:



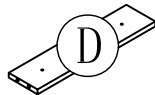
LEFT SIDE PANEL 1PC



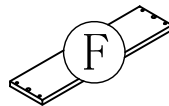
RIGHT SIDE PANEL 1PC



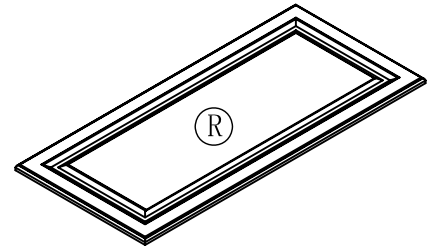
BACK UP CROSS
BRACE 1PC



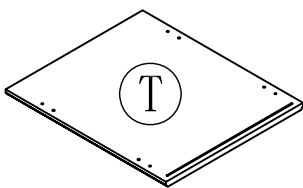
BACK DOWN CROSS
BRACE 2PCS



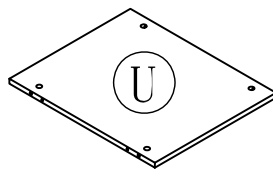
TOE KICK PANEL 1PC



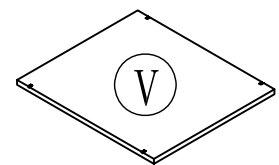
DOOR 2PCS



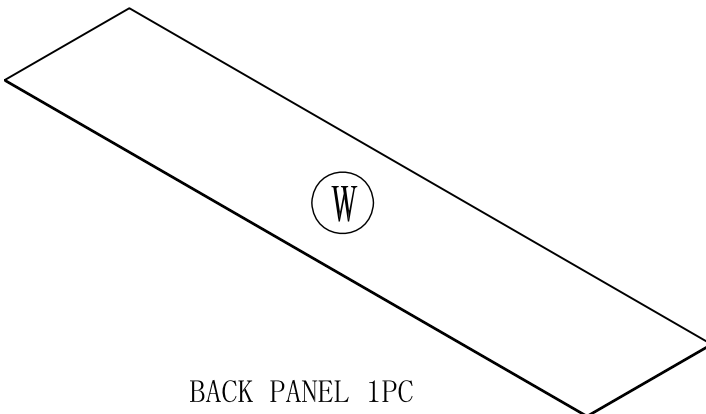
TOP PANEL 1PC



FIXED PANEL 2PCS



ADJUSTABLE PANEL 2PCS

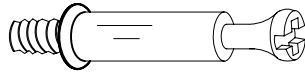


BACK PANEL 1PC

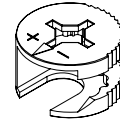
HARDWARE LIST:



a. WOOD DOWEL 16PCS



b. CAM LOCK SCREW
26PCS



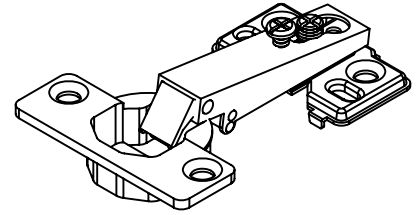
c. CAM LOCK 26PCS



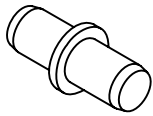
e. 1-1/2" L WOOD
SCREW 4PCS



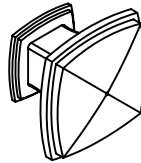
f. 5/8" L FLAT HEAD
SCREW 24PCS



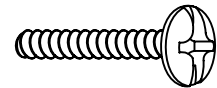
h. HINGE 4PCS



k. PIN 8PCS



l. KNOB 2PCS



n. KNOB BOLT 2PCS

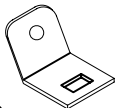


o. WRENCH 1PC



p. GLUE 1PC

1



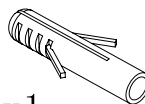
x2
RECTANGLE
METAL PLATE

2



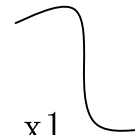
x1
1/2" L FLAT
HEAD SCREW

3



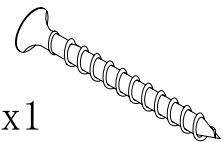
x1
PLASTIC ANCHOR

4



x1
PLASTIC
BAND

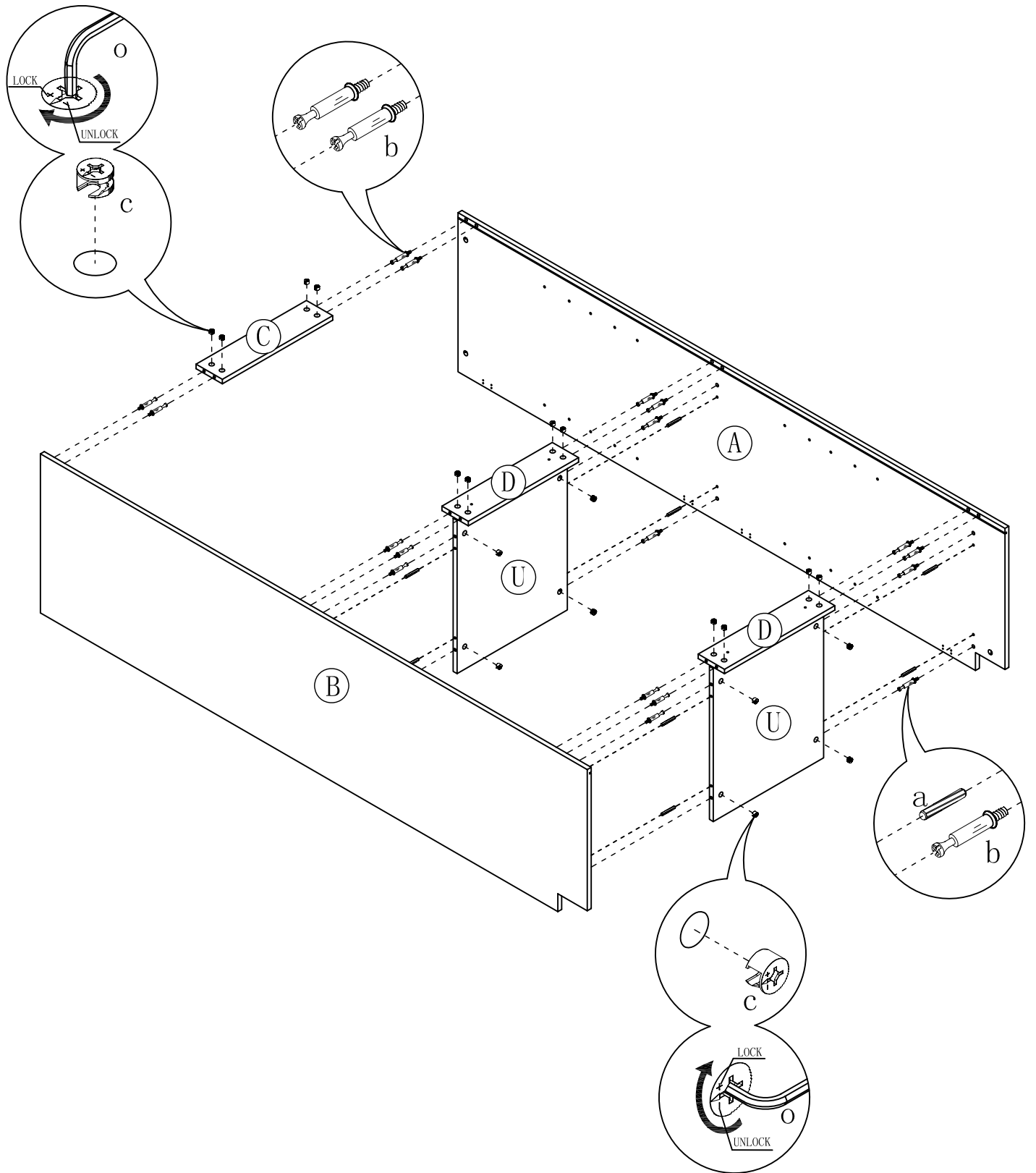
5



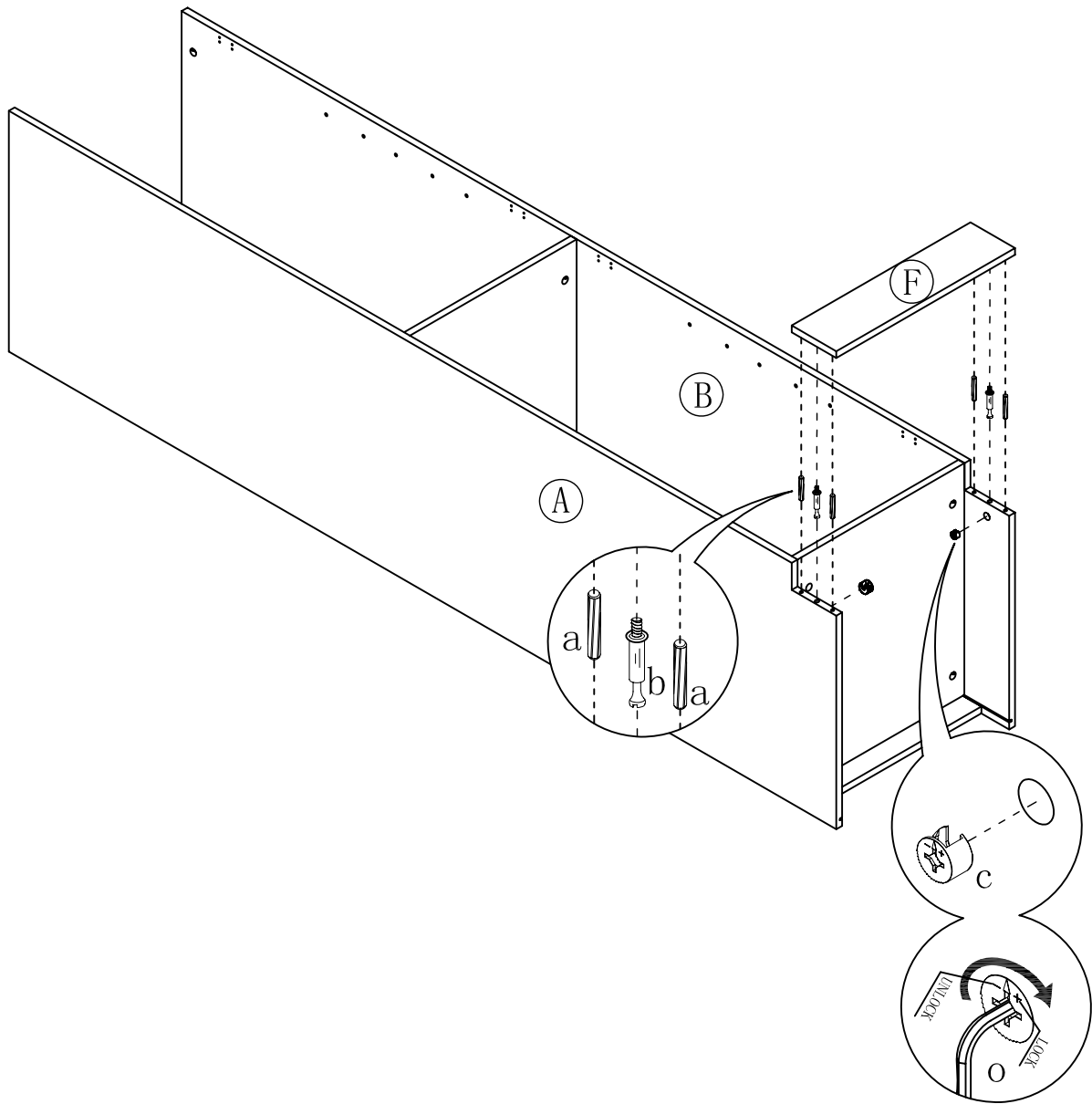
x1
1-1/2" L FLAT
HEAD SCREW

ANTI-TIPPING HARDWARE PACKAGE

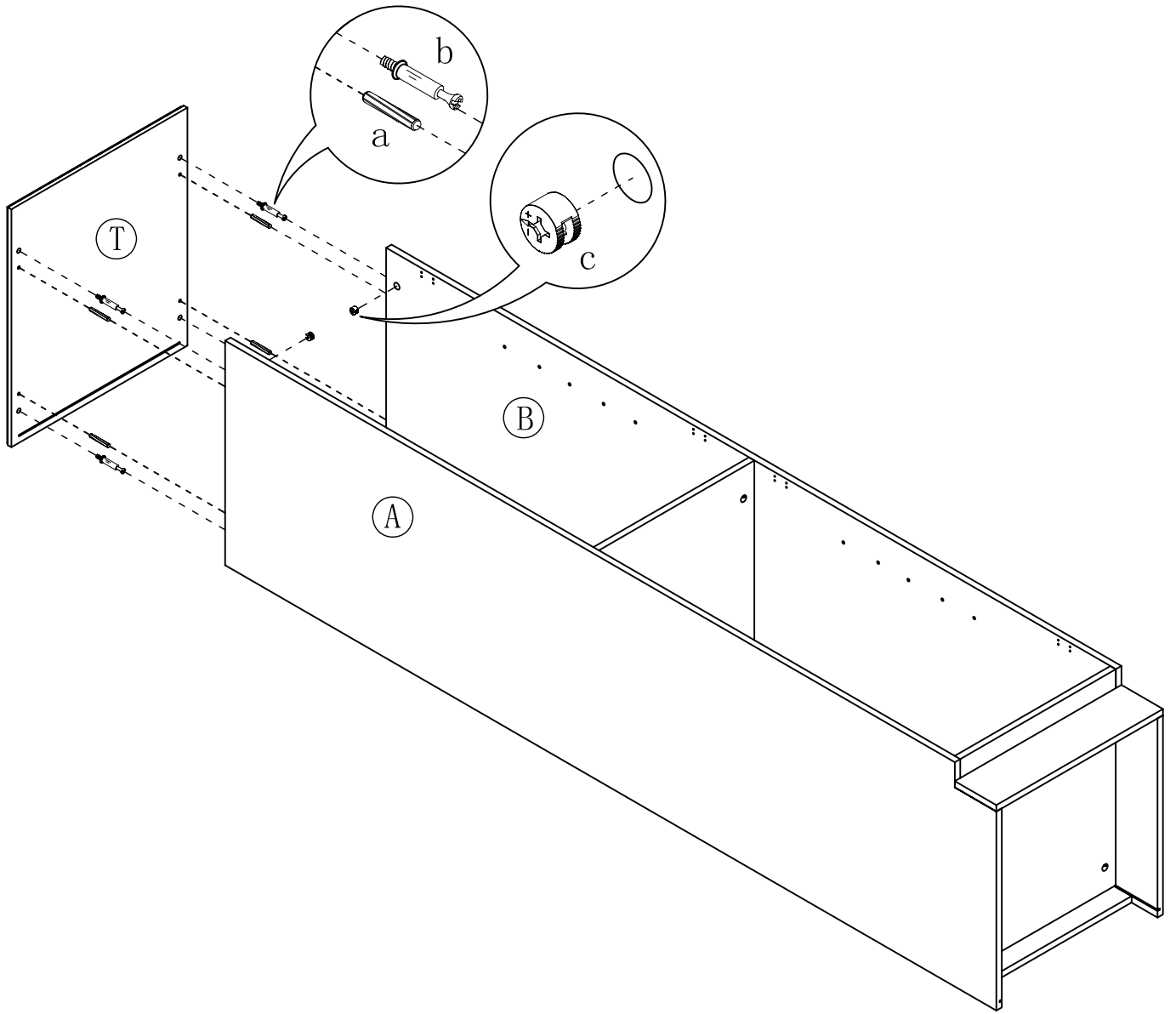
STEP 1



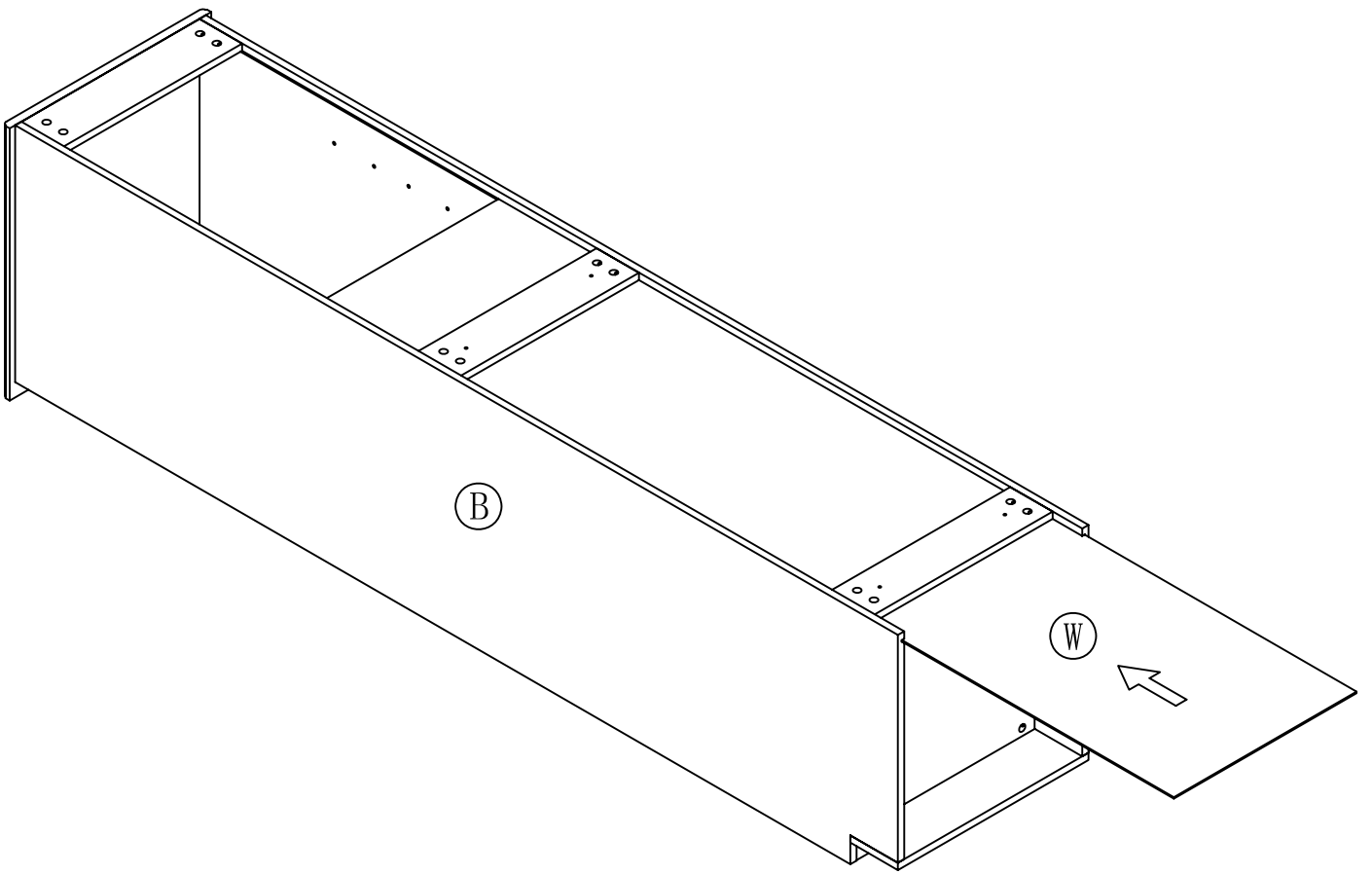
STEP 2



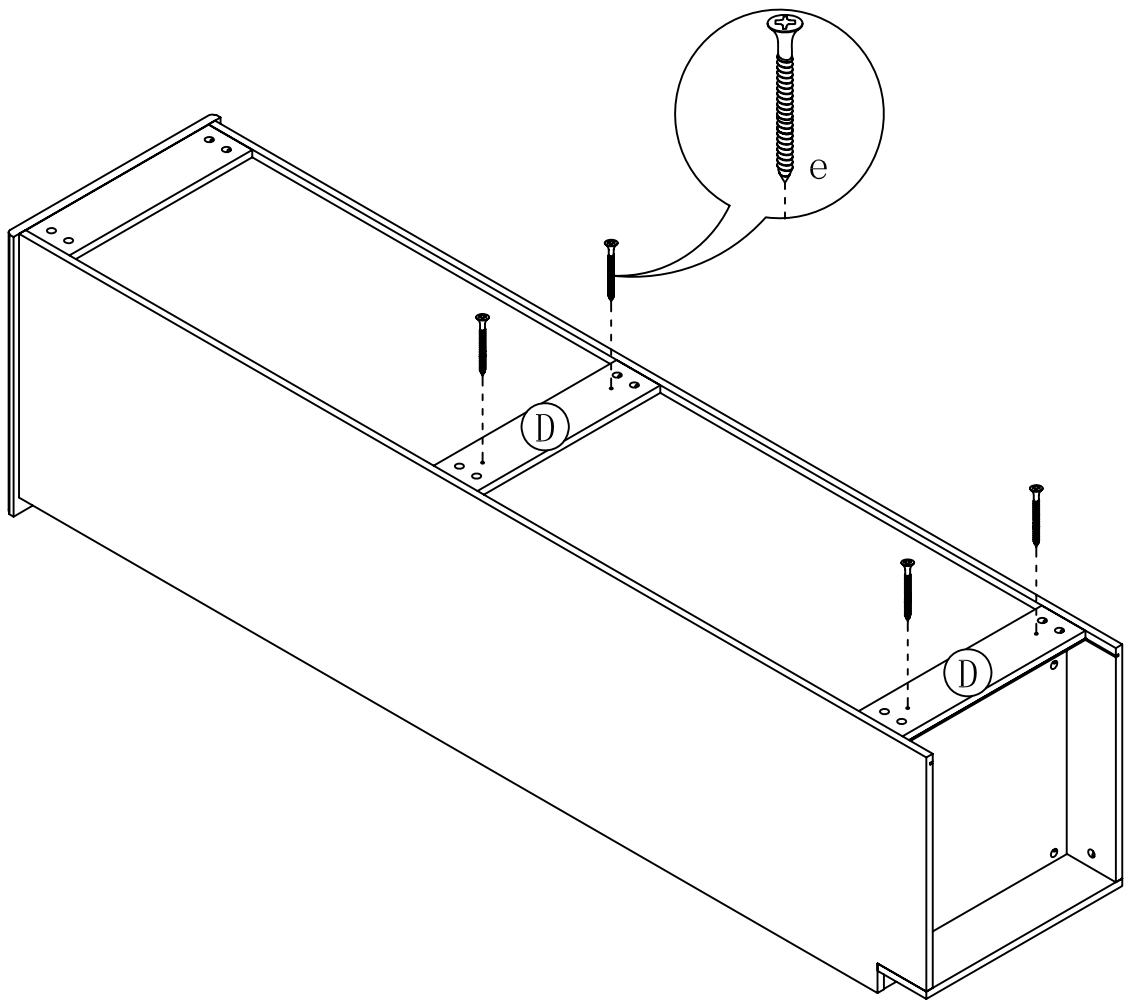
STEP 3



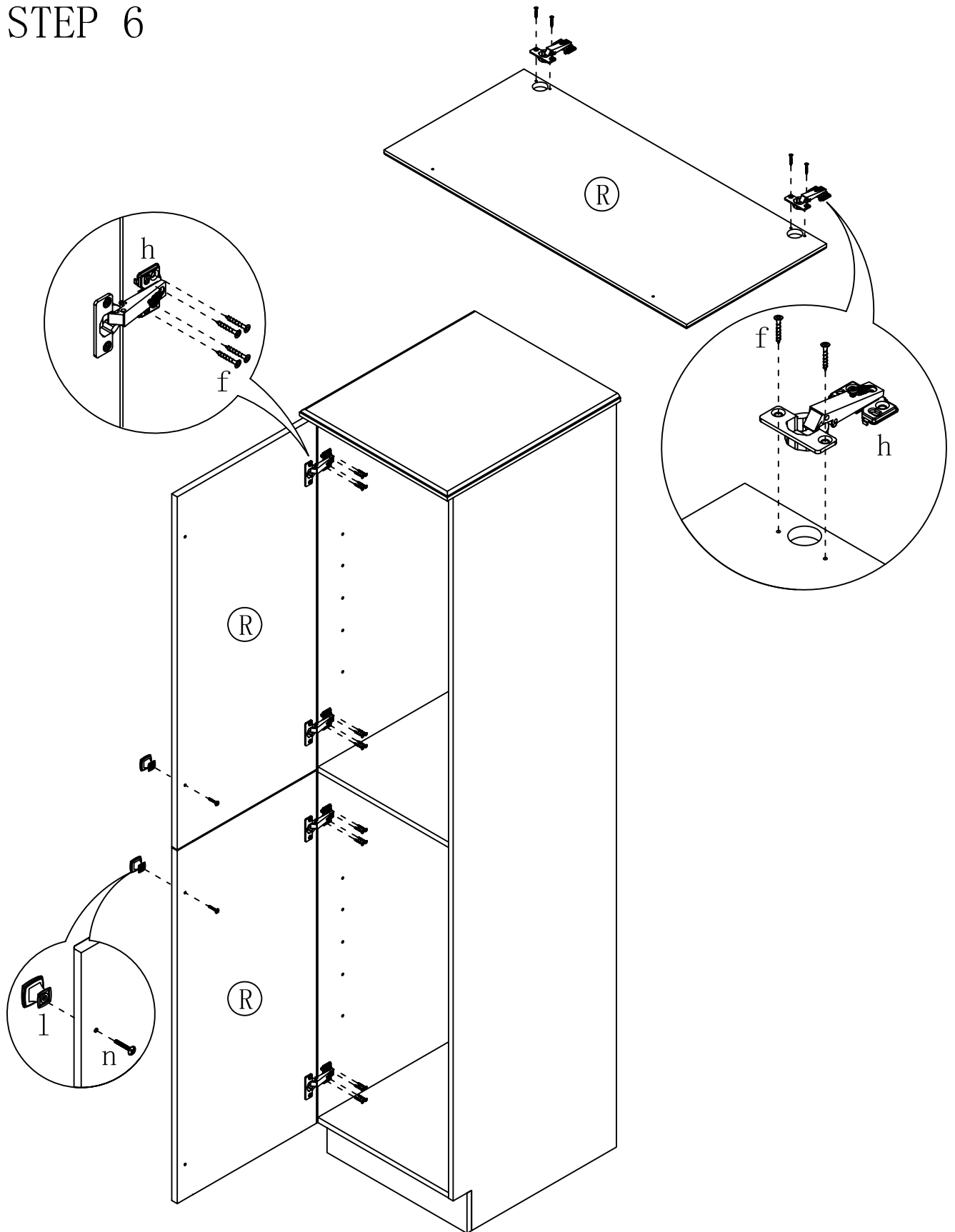
STEP 4



STEP 5

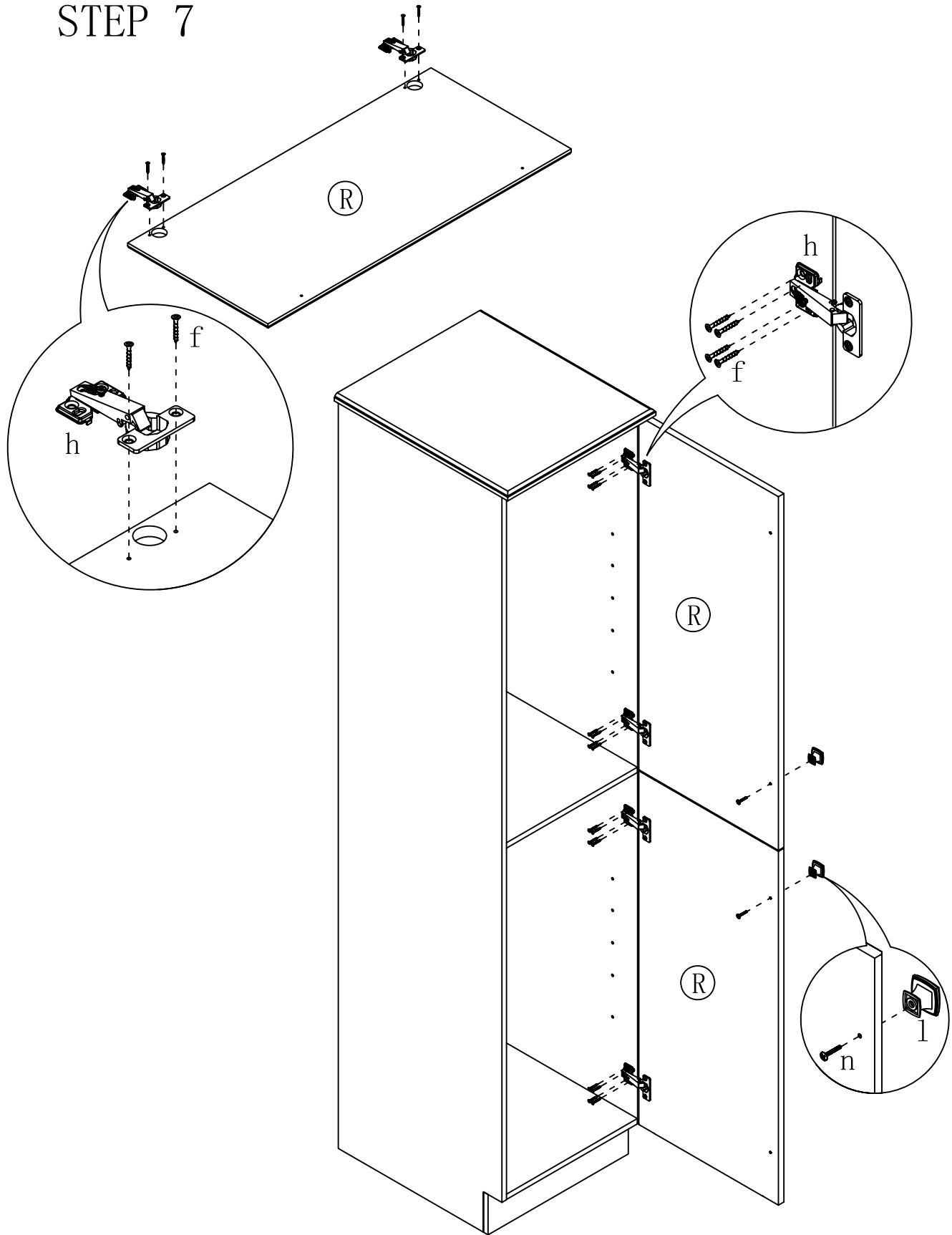


STEP 6



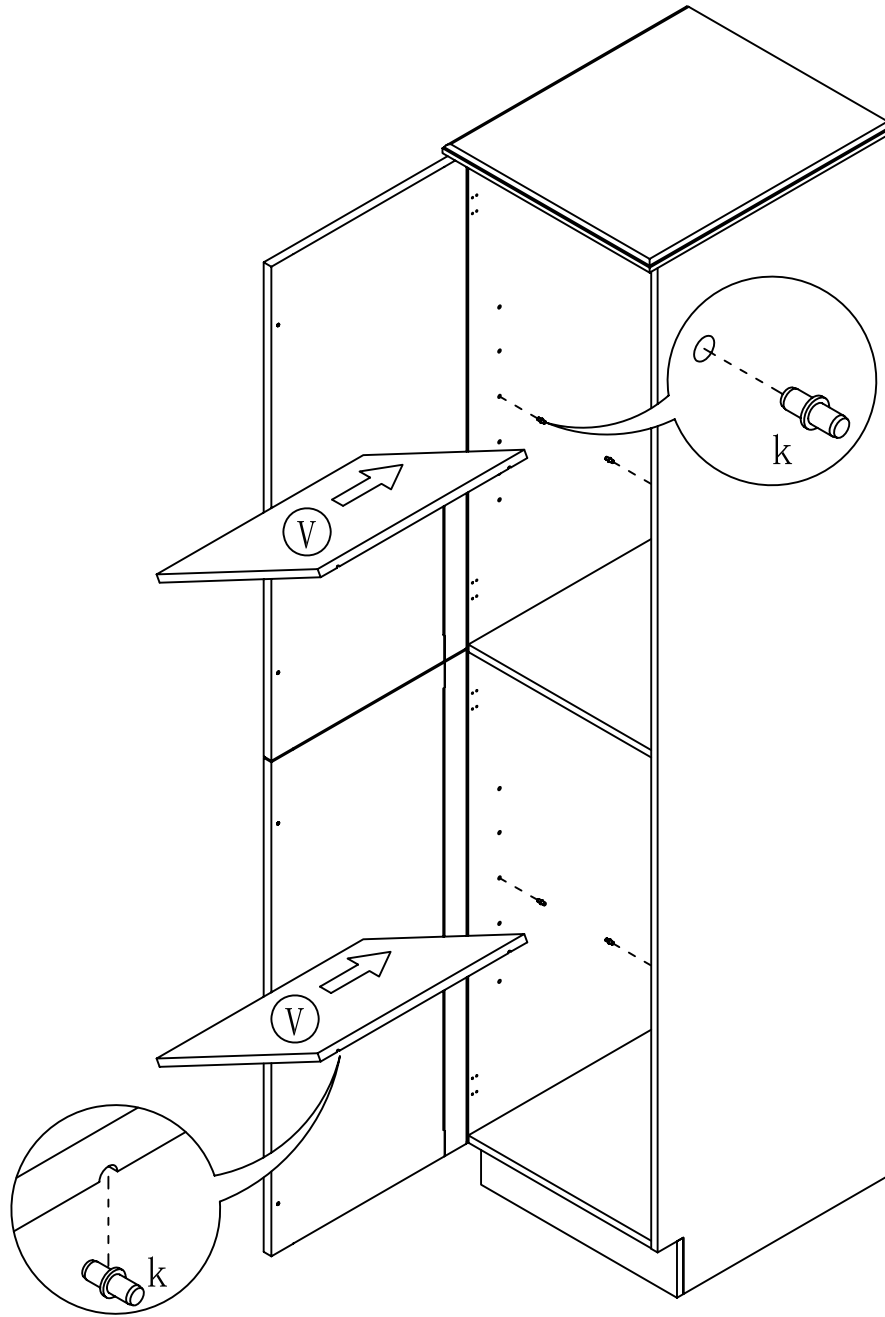
PLEASE FOLLOW STEP6 IF YOU
WOULD LIKE THE DOOR OPEN
FROM THE LEFT

STEP 7

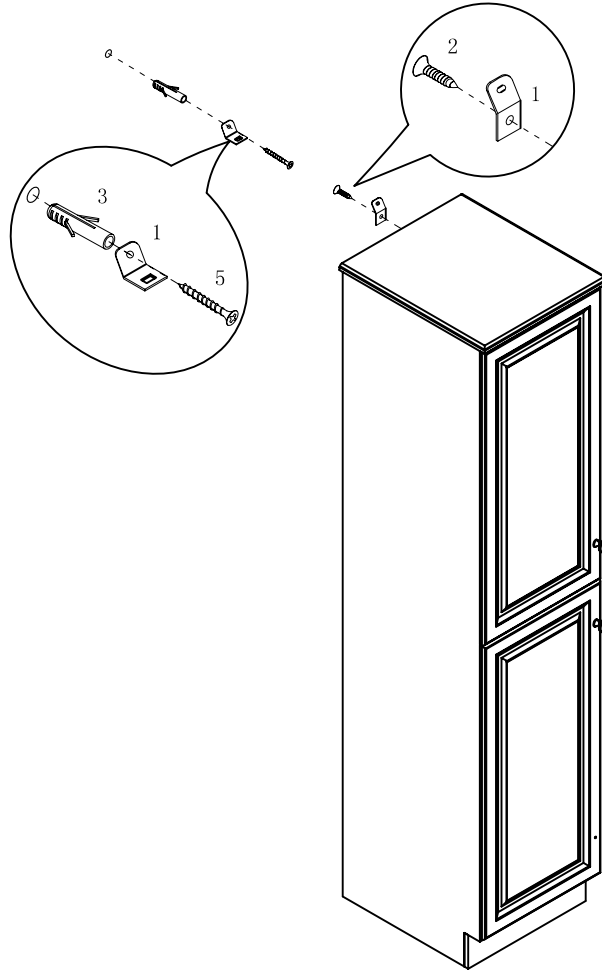


PLEASE FOLLOW STEP7 IF YOU
WOULD LIKE THE DOOR OPEN
FROM THE RIGHT

STEP 8



STEP 9



STEP 10

