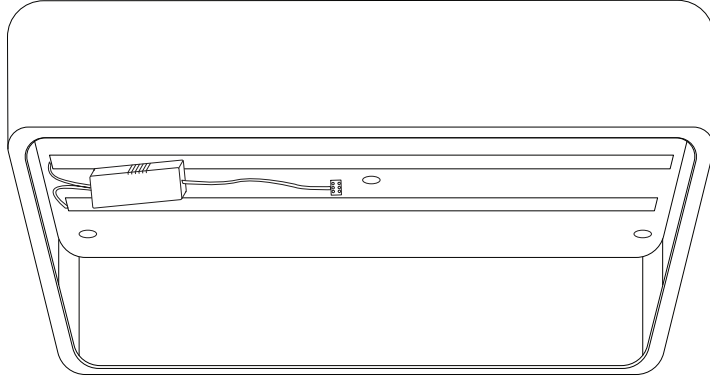
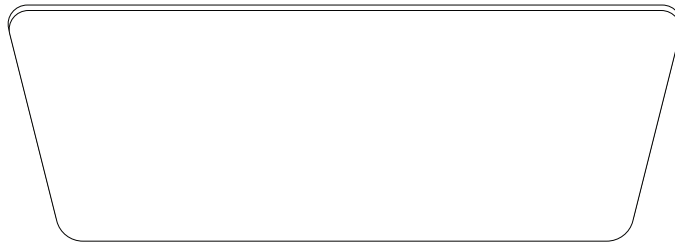


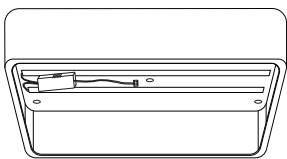
A



B

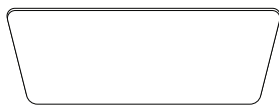


A



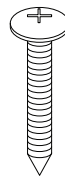
x 1

B



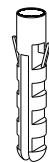
x 1

C



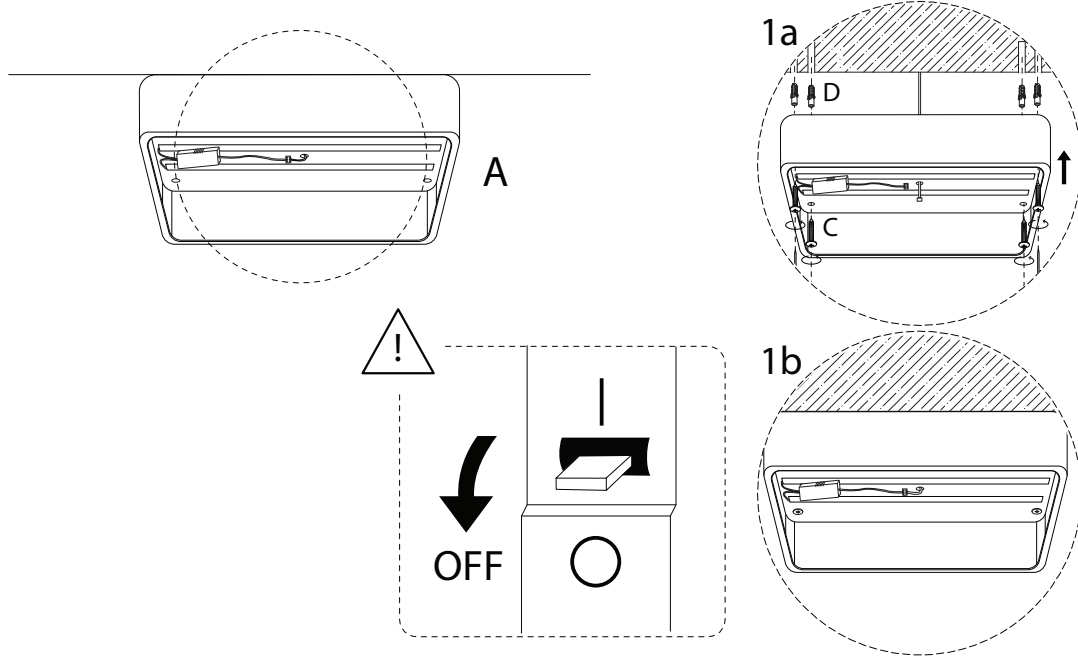
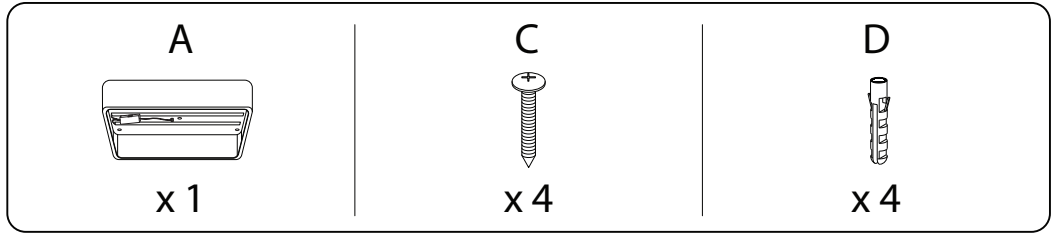
x 4

D



x 4

1



2

