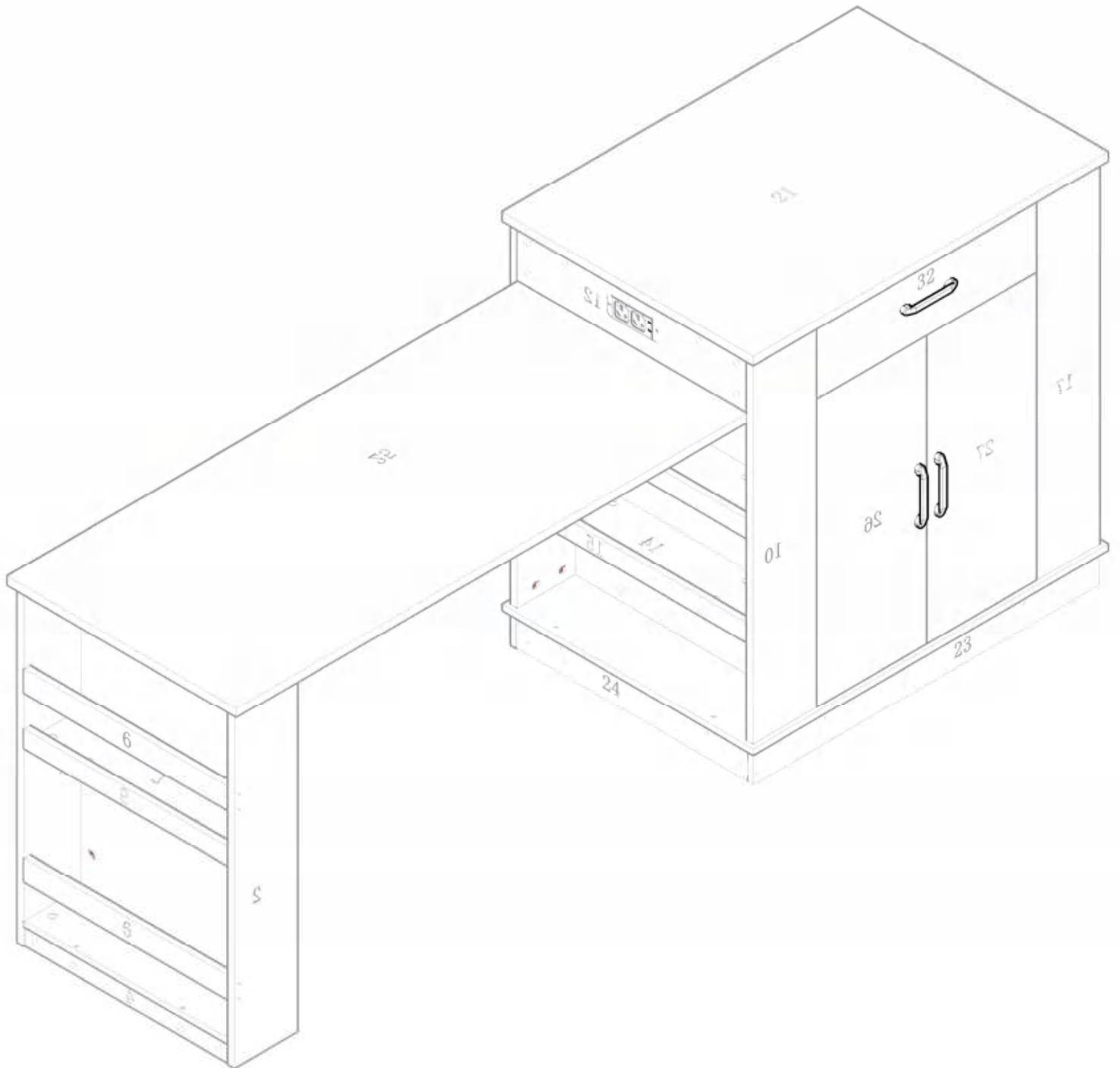
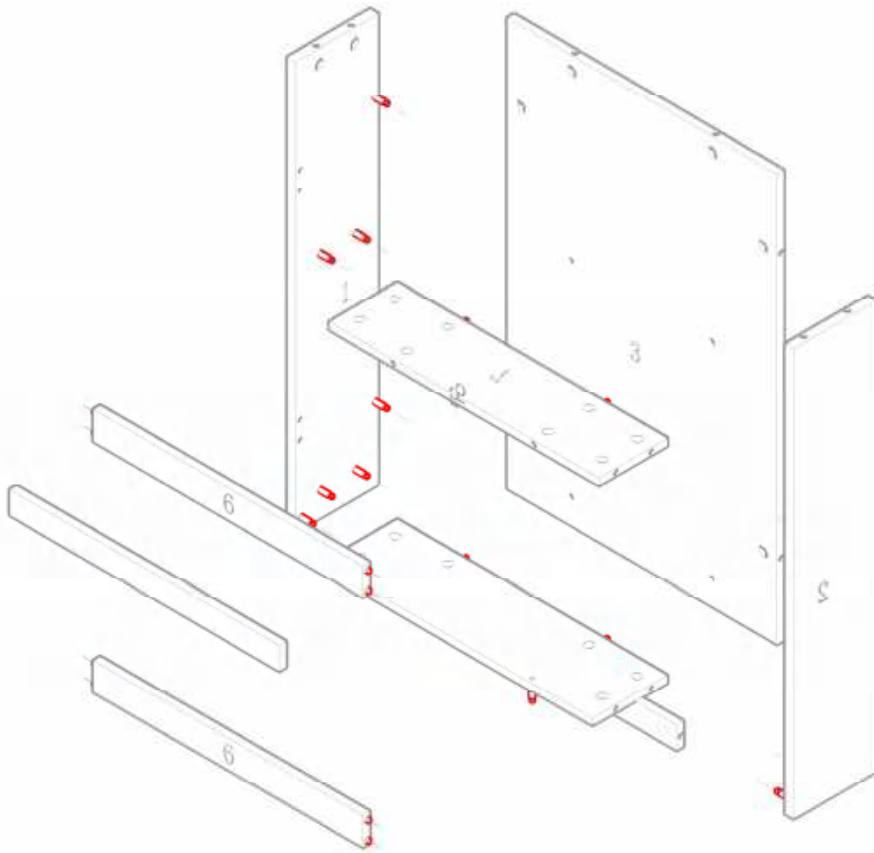
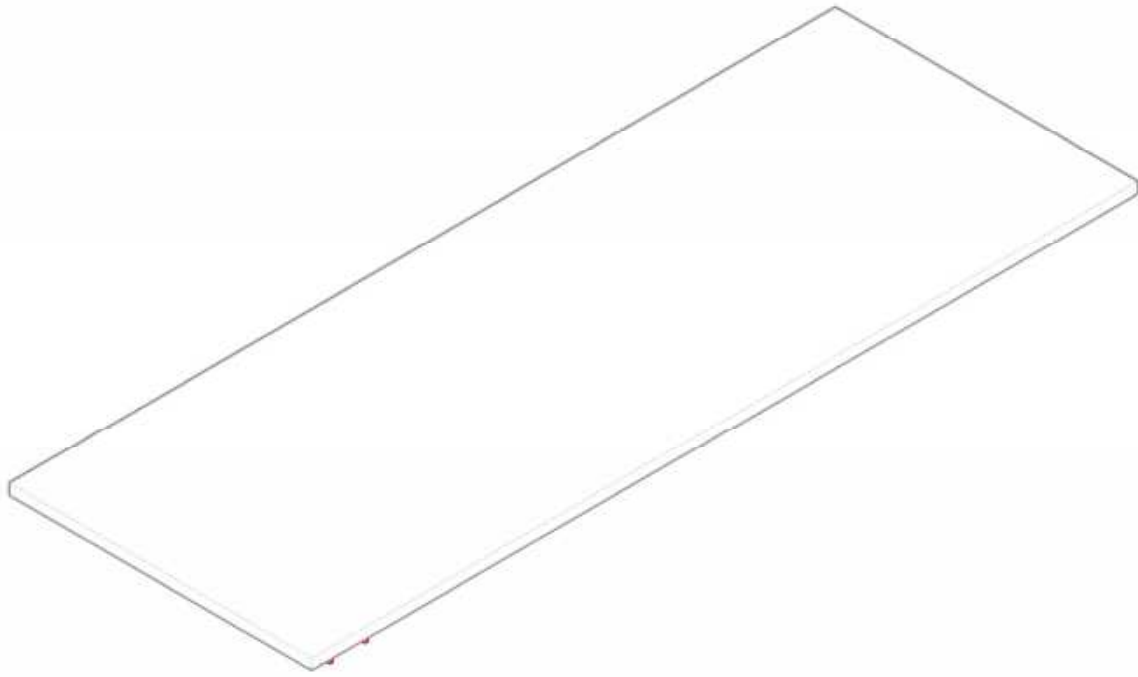


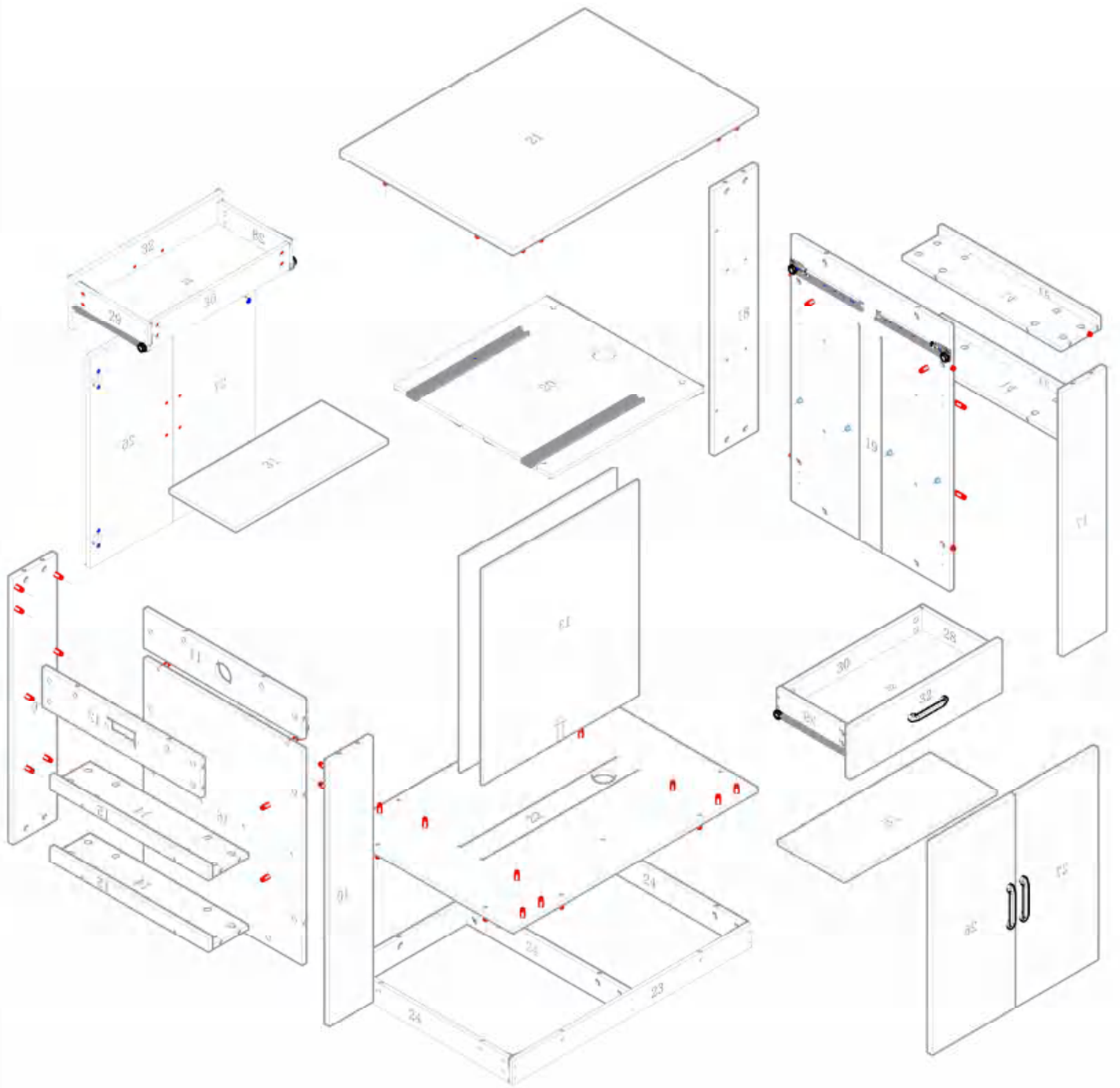
Assembly Instructions



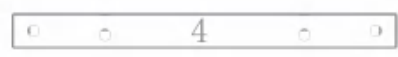
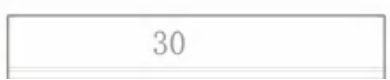
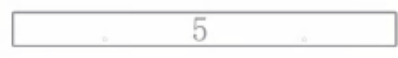
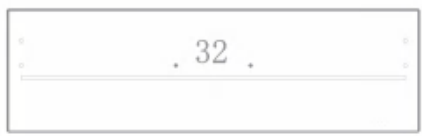
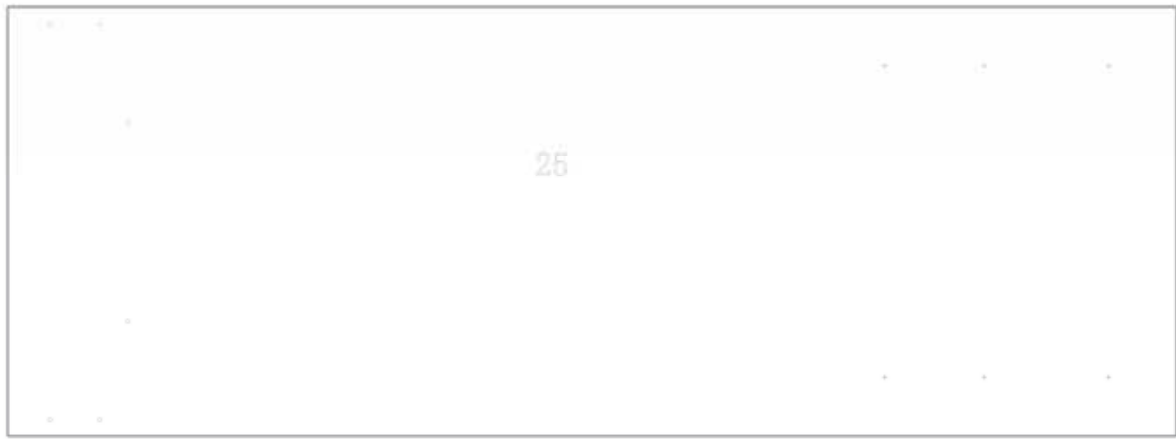
Component diagram



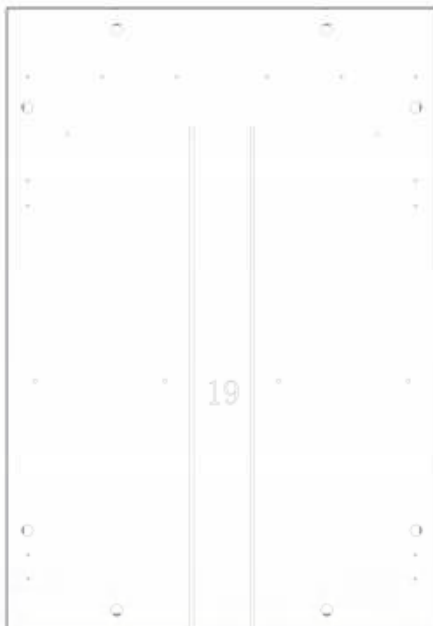
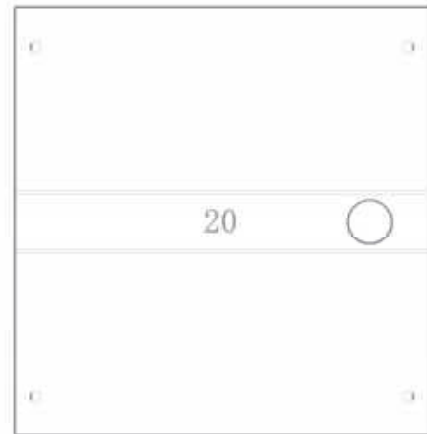
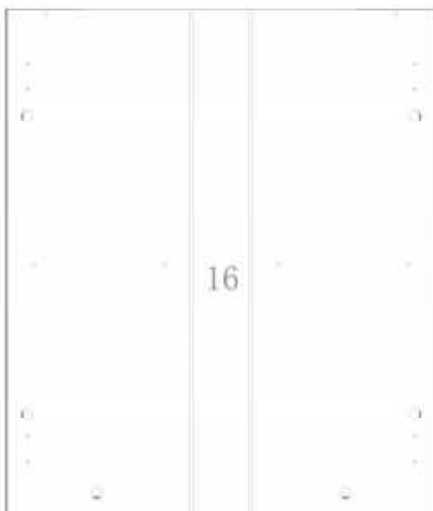
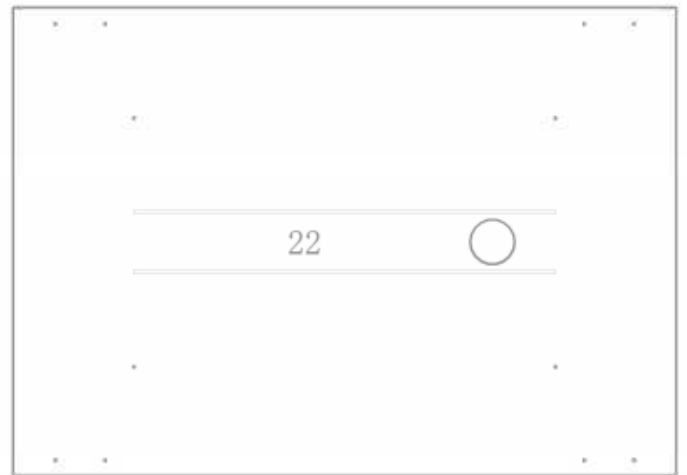
Component diagram



Exploded view



Exploded view



Hardware List

X142



A

32mm

X142



B

φ12*10mm

X8



C

φ6*30mm

X8



D

φ5*12mm

X88



E

φ3*12mm

X12



J

M4*18mm

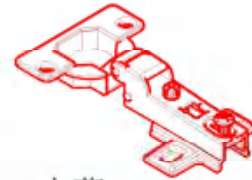
X6



K

125*12*20mm

X8



Z

内藏

X1



U

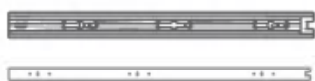
X2/付



g

250mm

X1/付



f

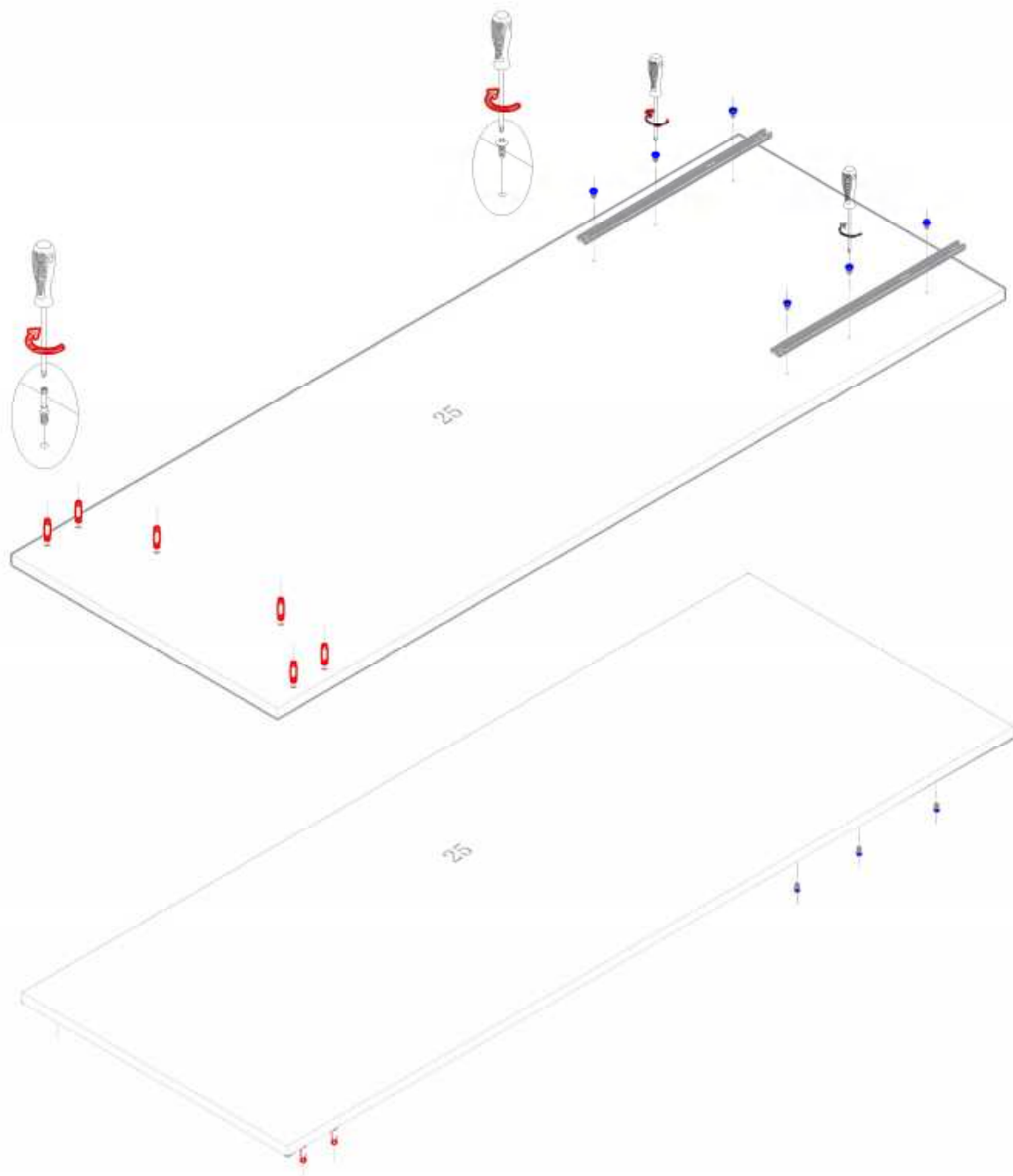
400*40*12mm

X2



h

Installation steps: 1

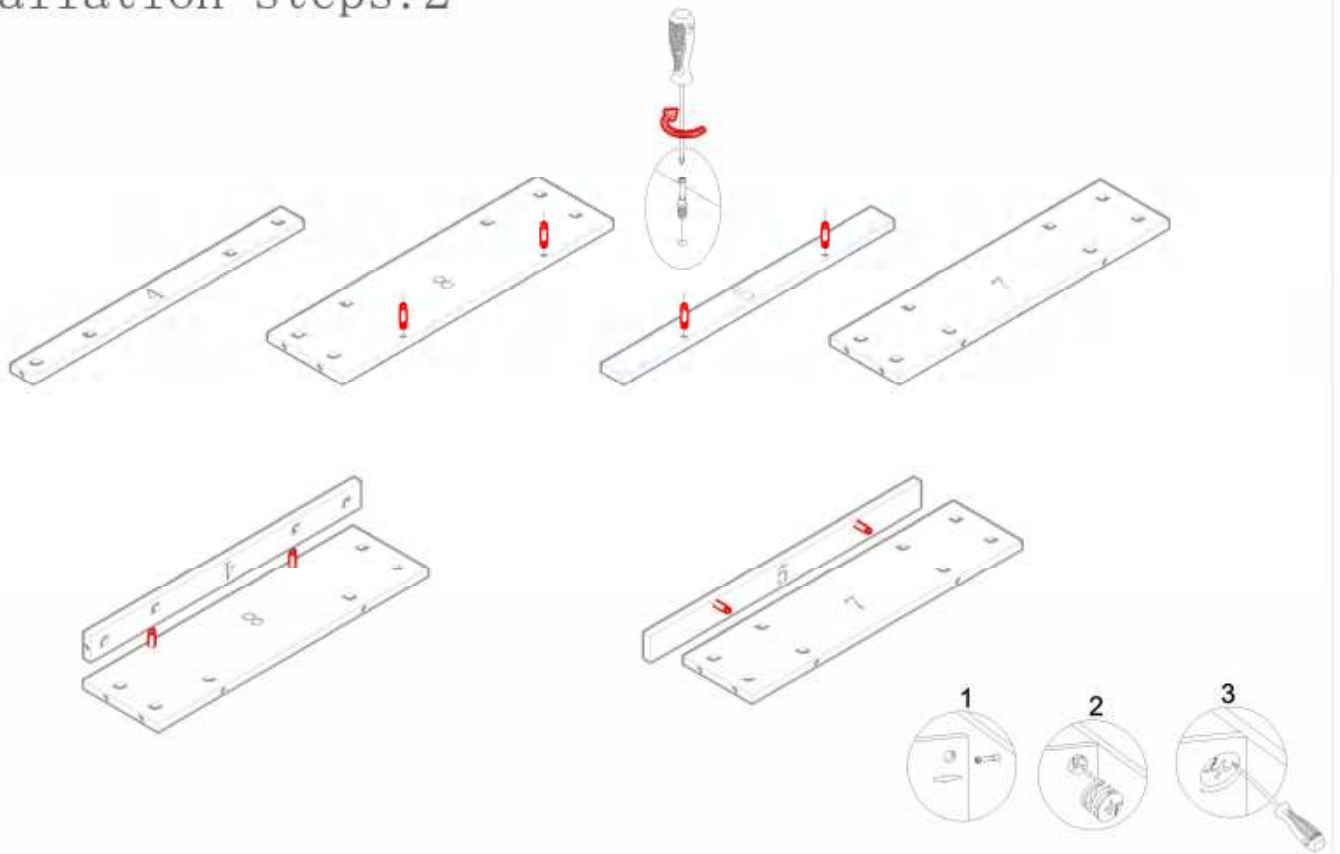



A  [X6]

E  [X6]

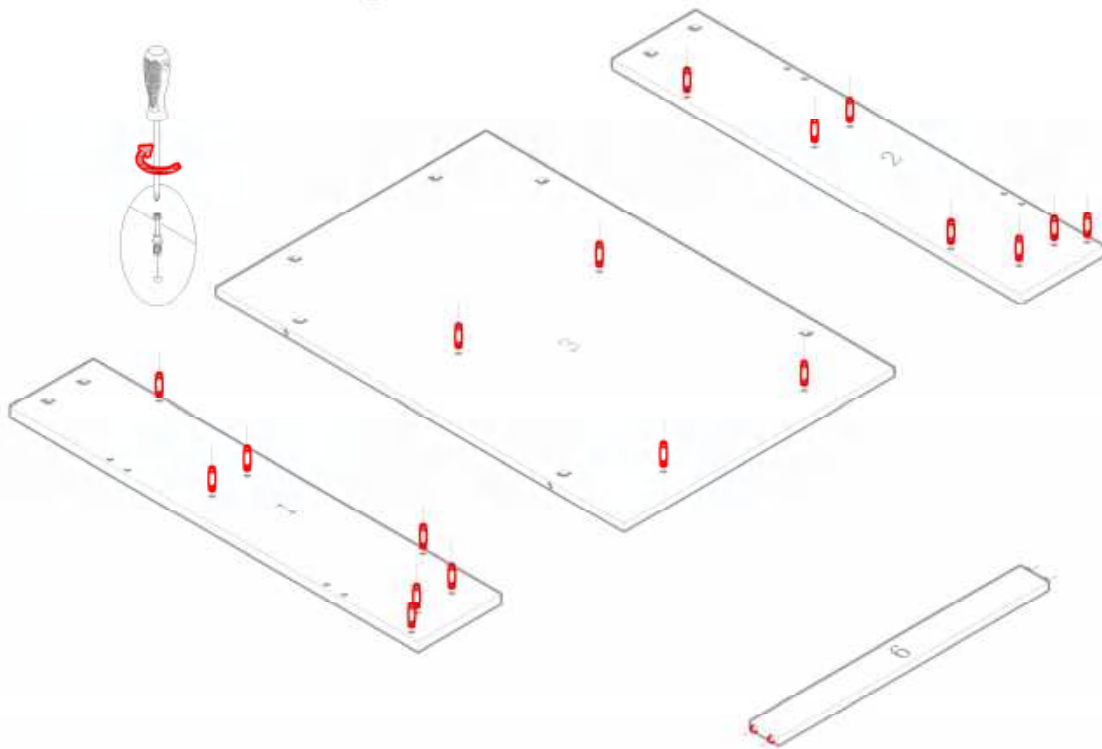
f  [X2]
Inner track

Installation steps:2



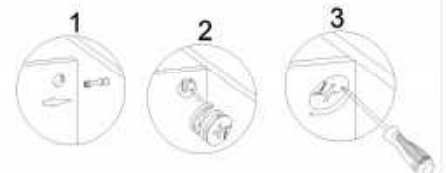
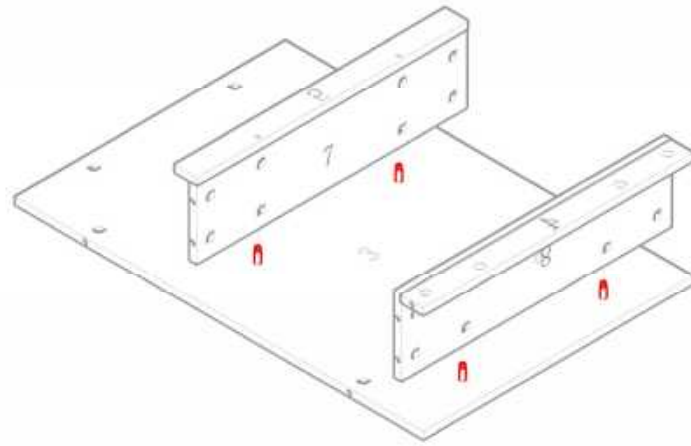
A  [X4] B  [X18]

Installation steps:3

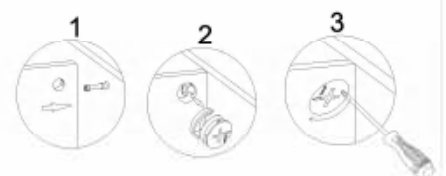
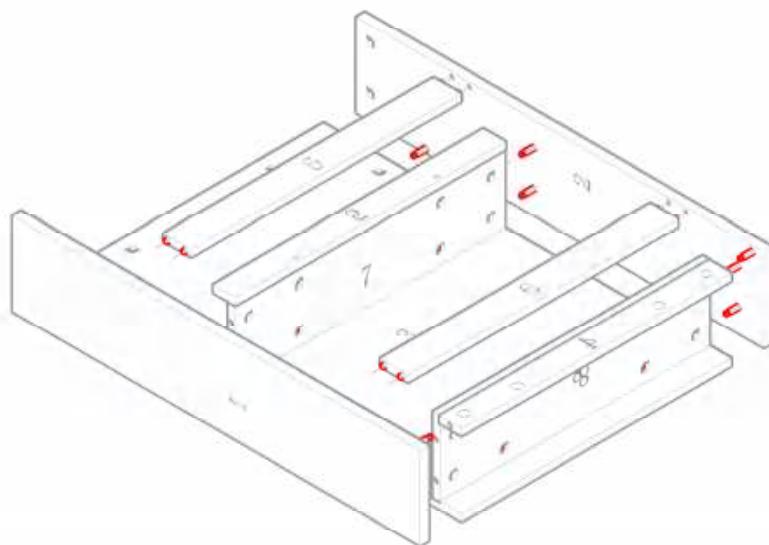


A  [X18] B  [X10] C  [X8]

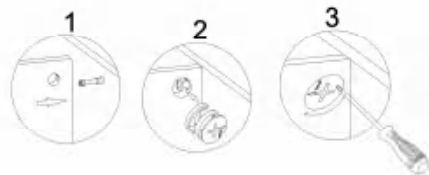
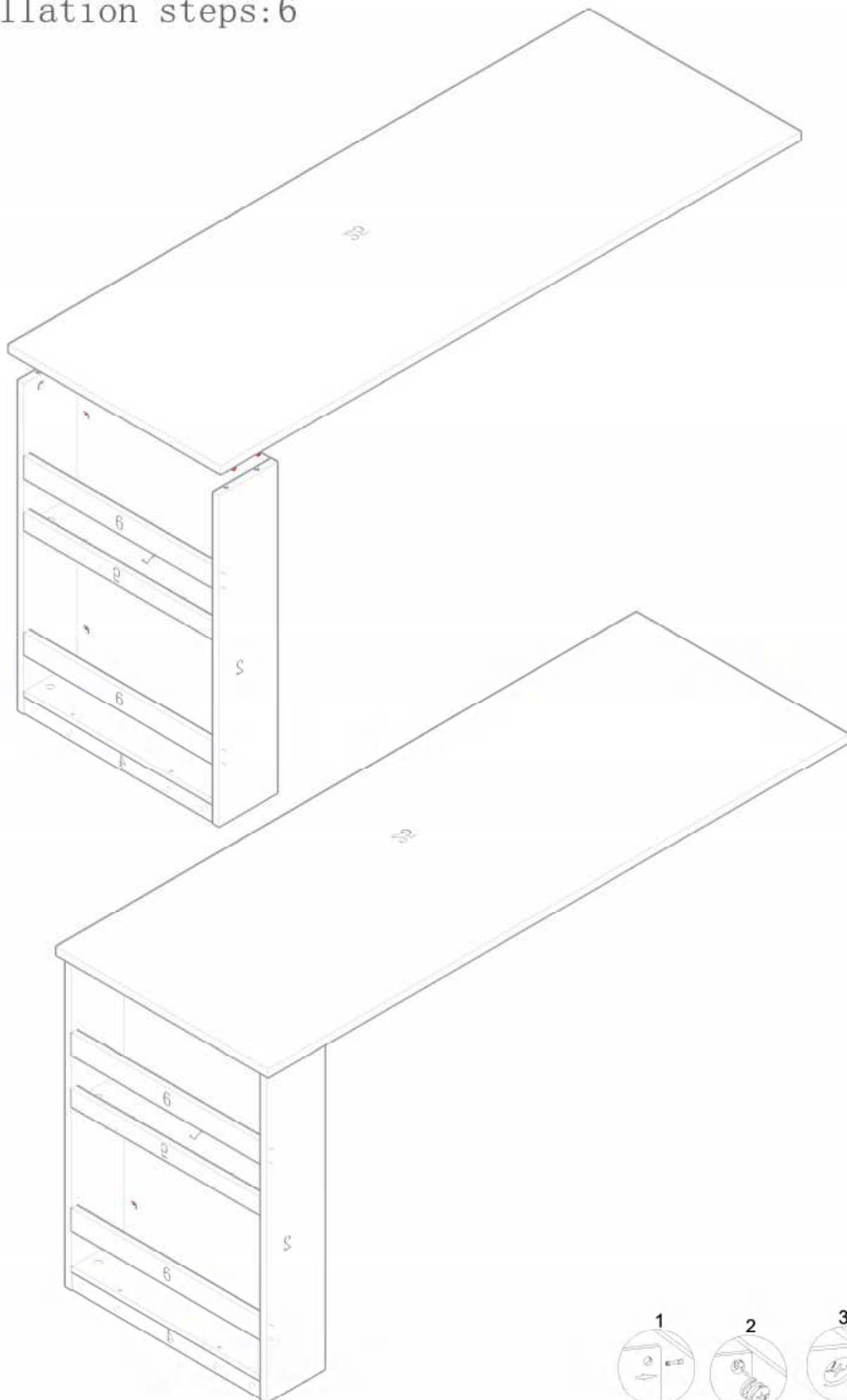
Installation steps:4



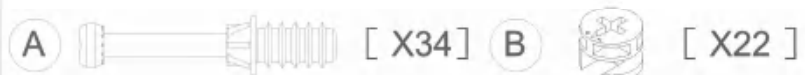
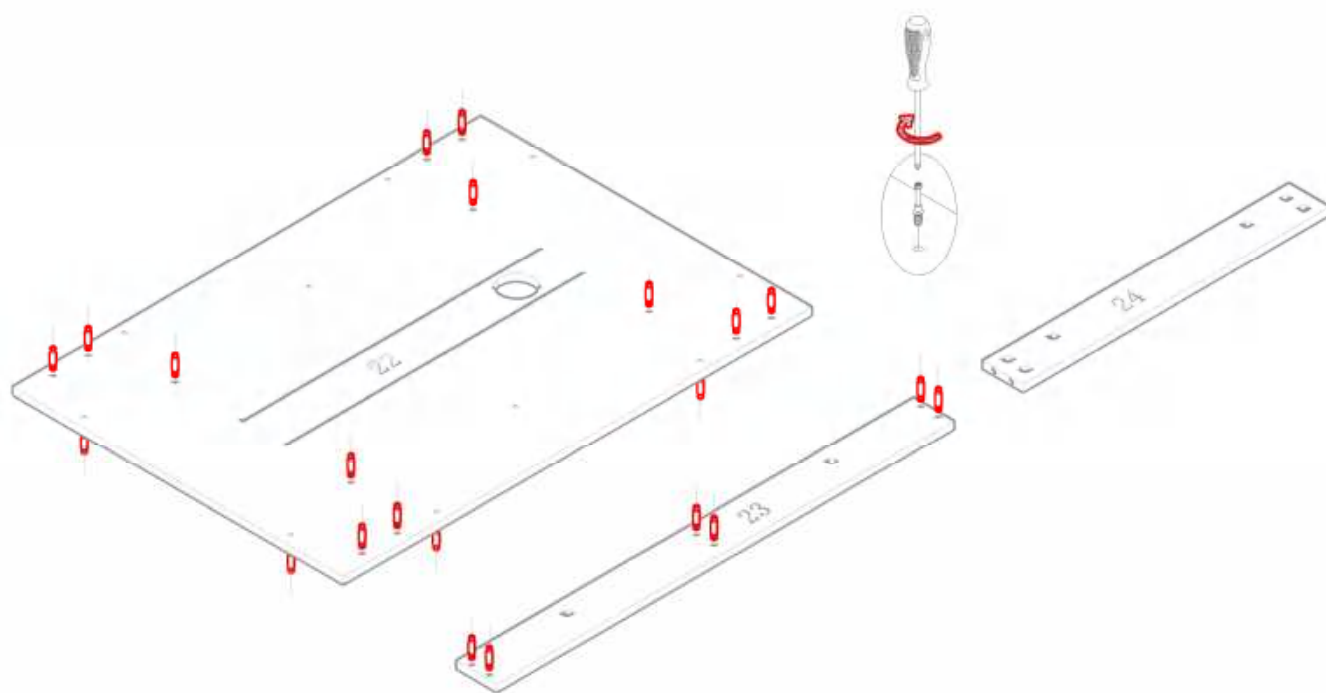
Installation steps:5



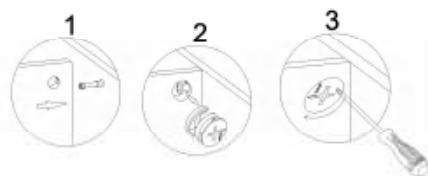
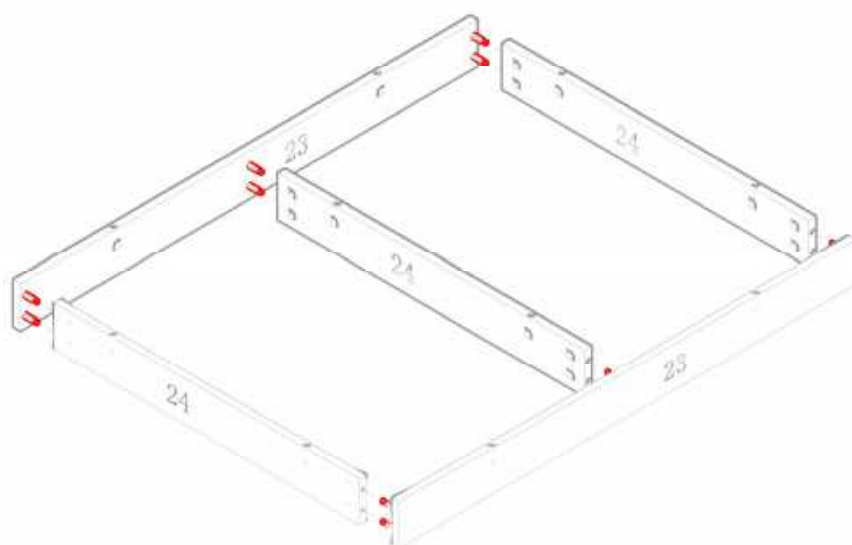
Installation steps:6



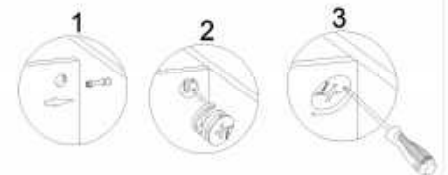
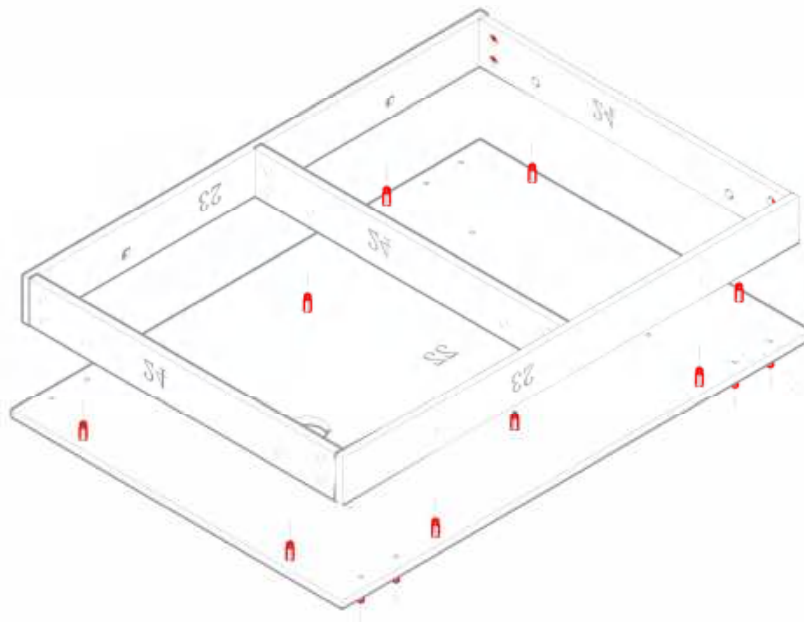
Installation steps:7



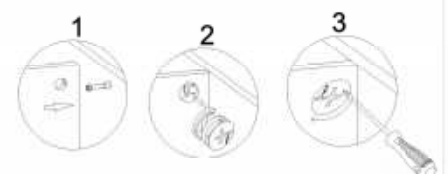
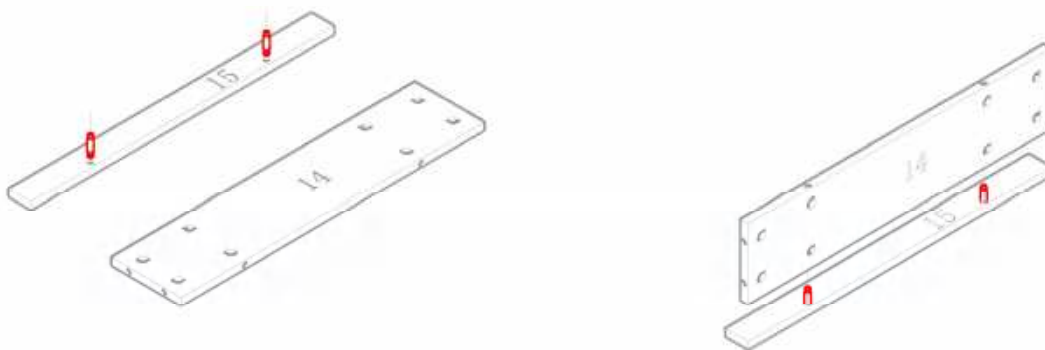
Installation steps:8





Installation steps:9

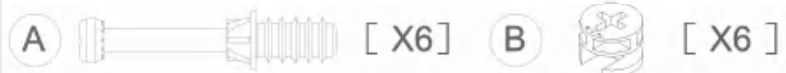
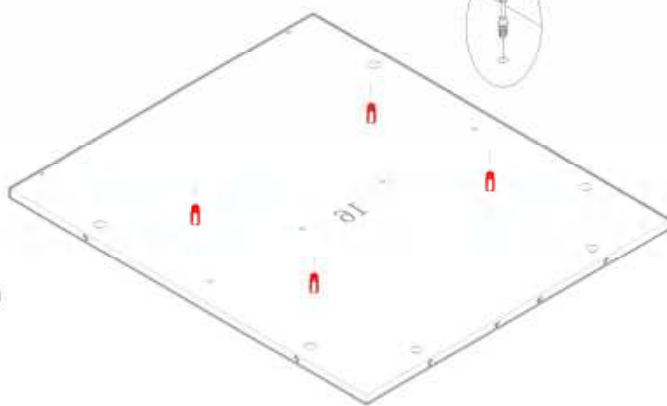
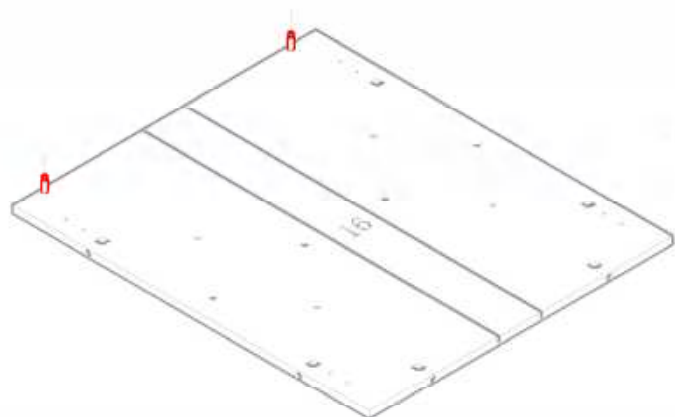


Installation steps:10

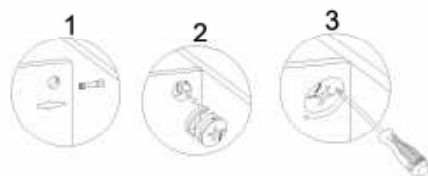
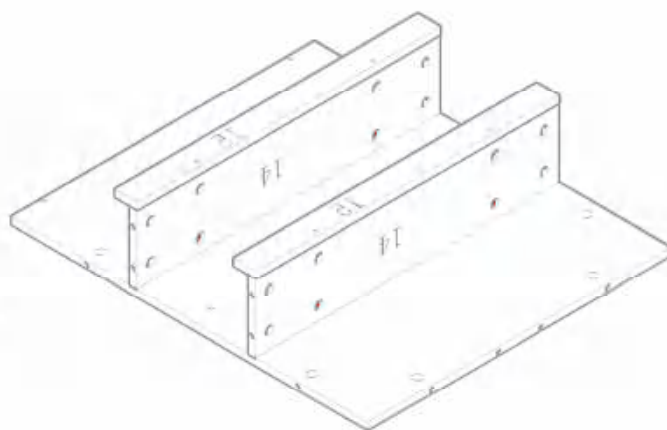
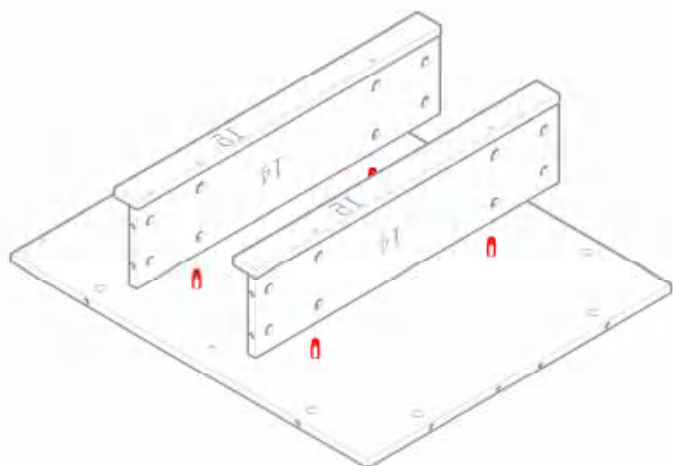


A  [X4] B  [X16]

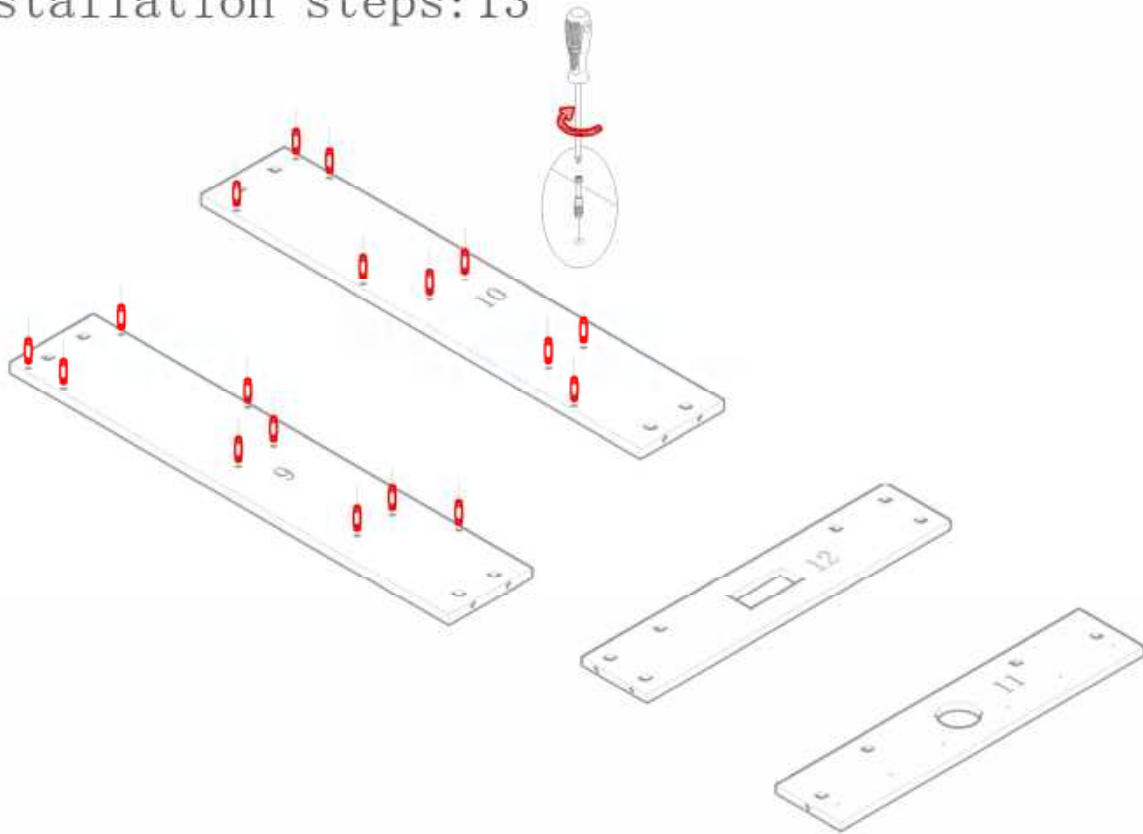
Installation steps:11



Installation steps:12

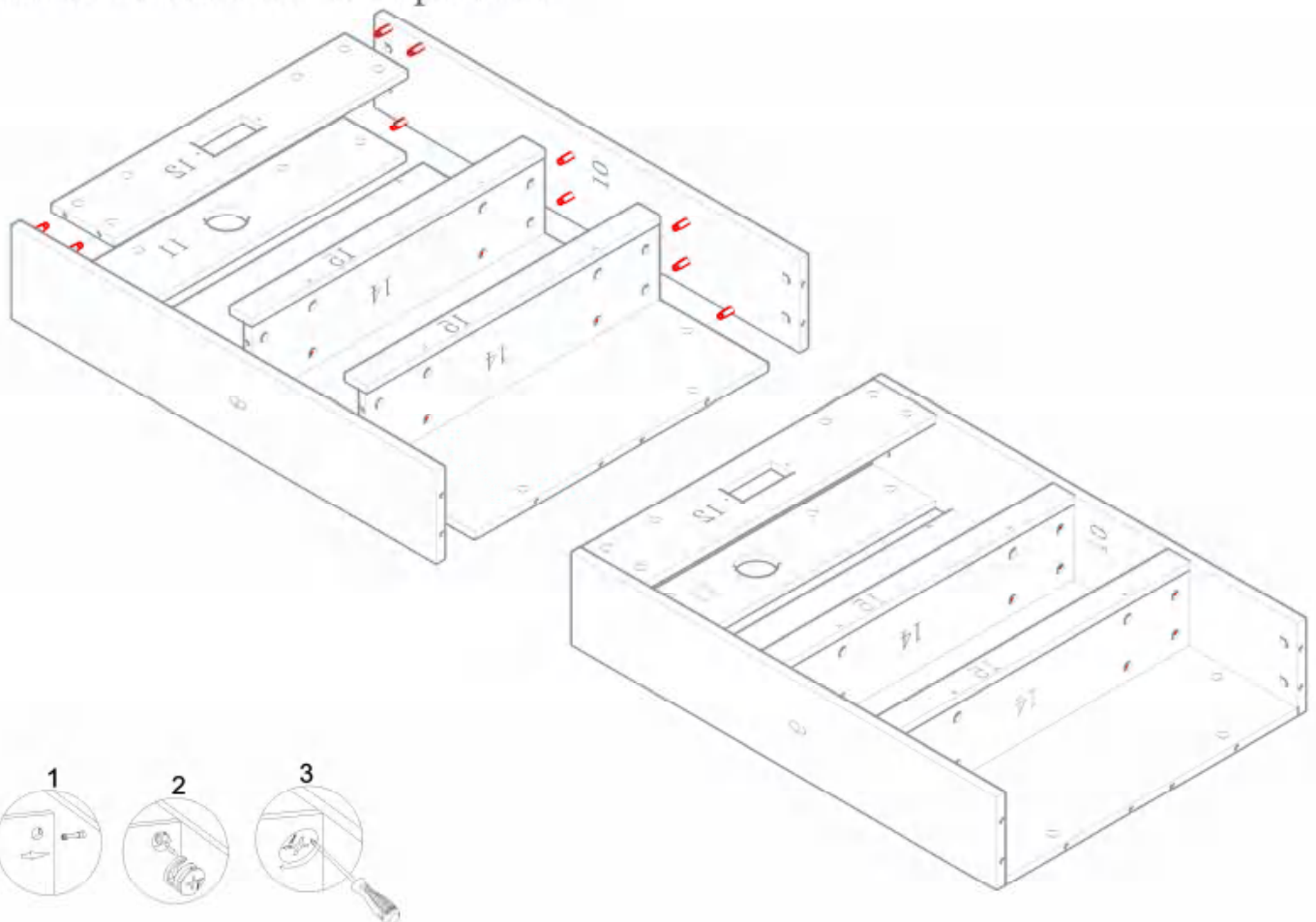


Installation steps:13

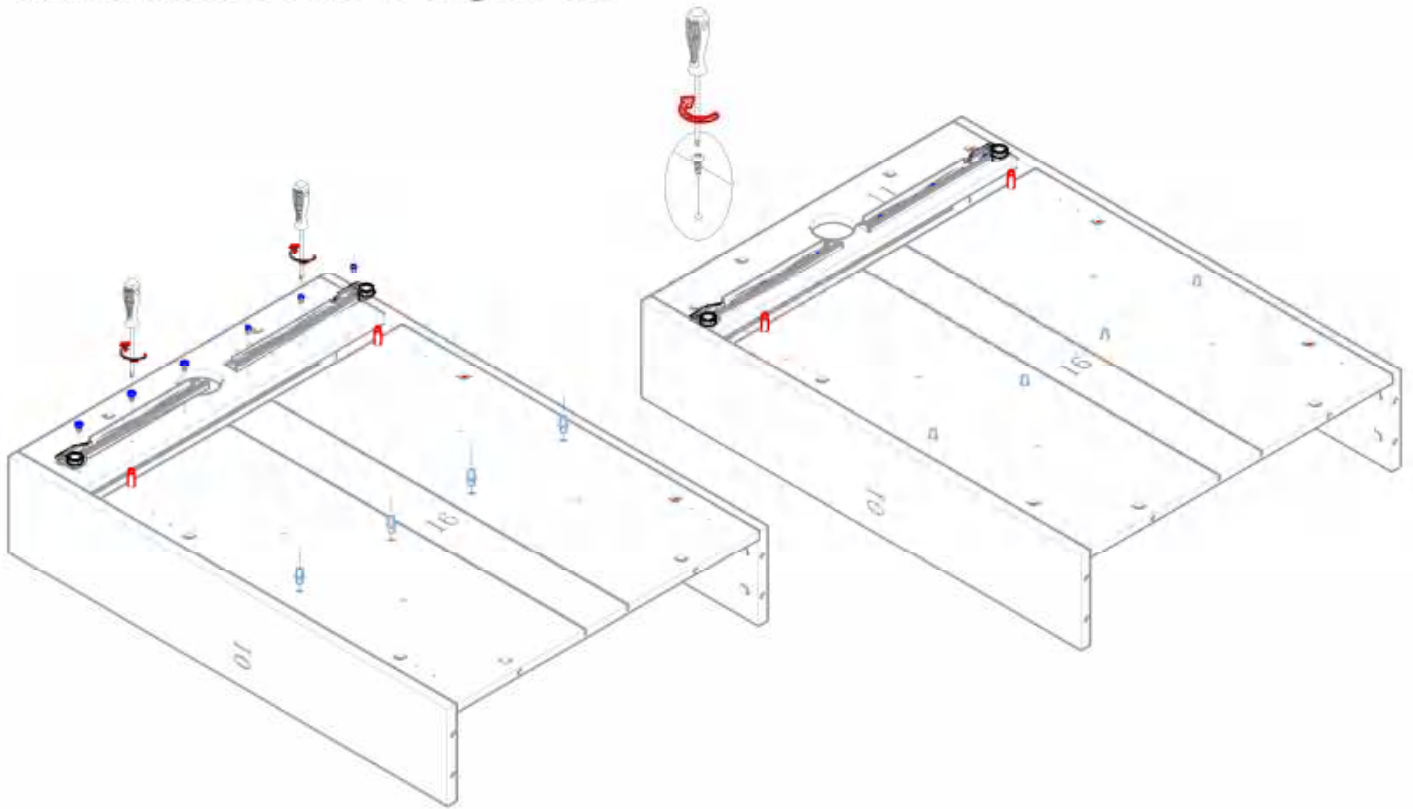


A  [X18] B  [X18]

Installation steps:14

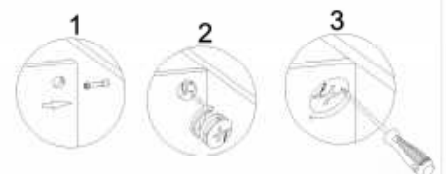
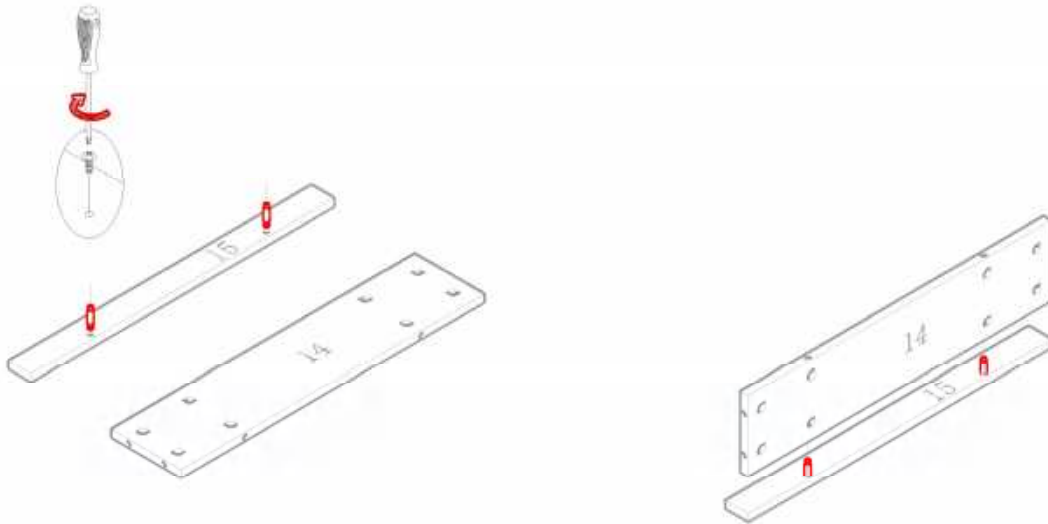




Installation steps:15



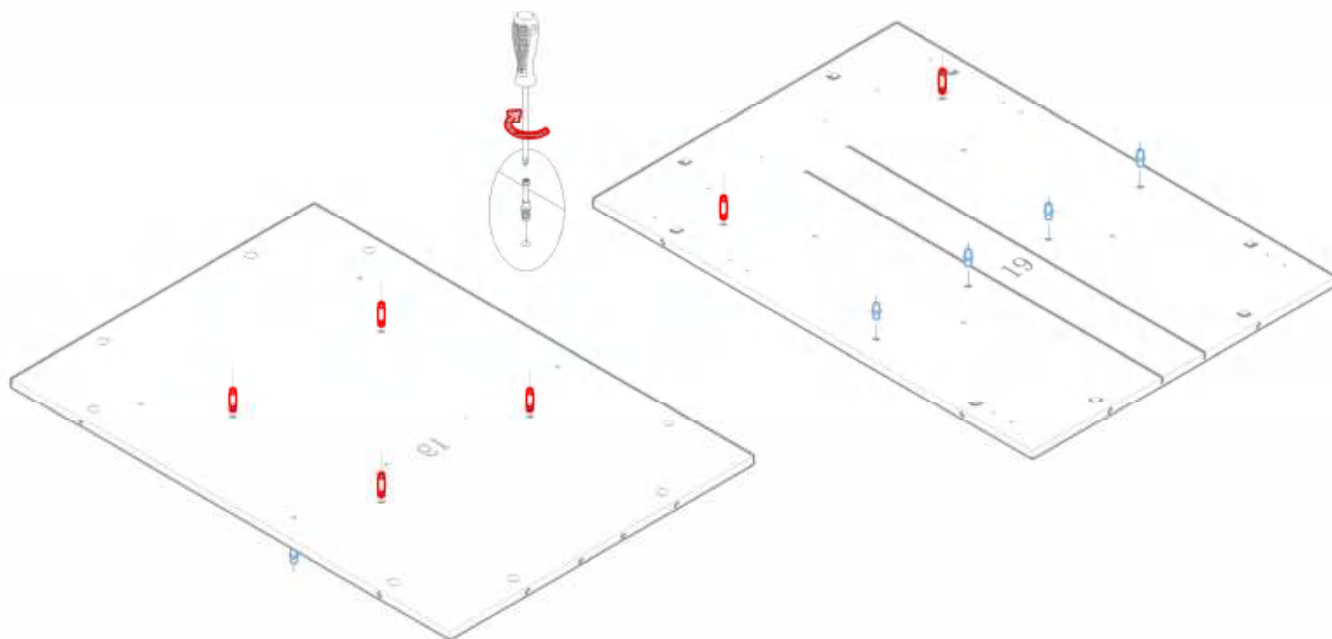
- g**  [X2] **E**  [X6] **D**  [X4]
- Outer orbit

Installation steps:16

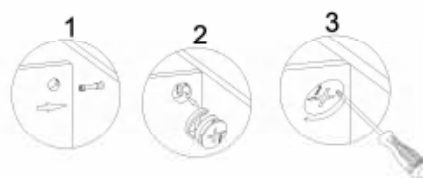
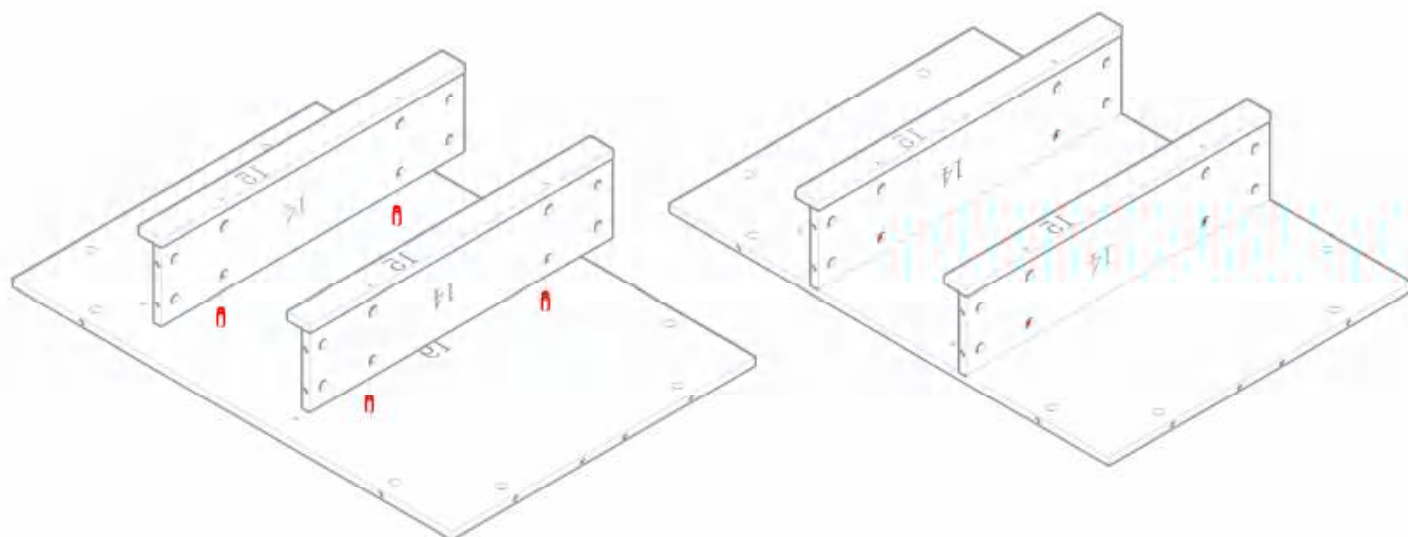


- A**  [X4] **B**  [X16]

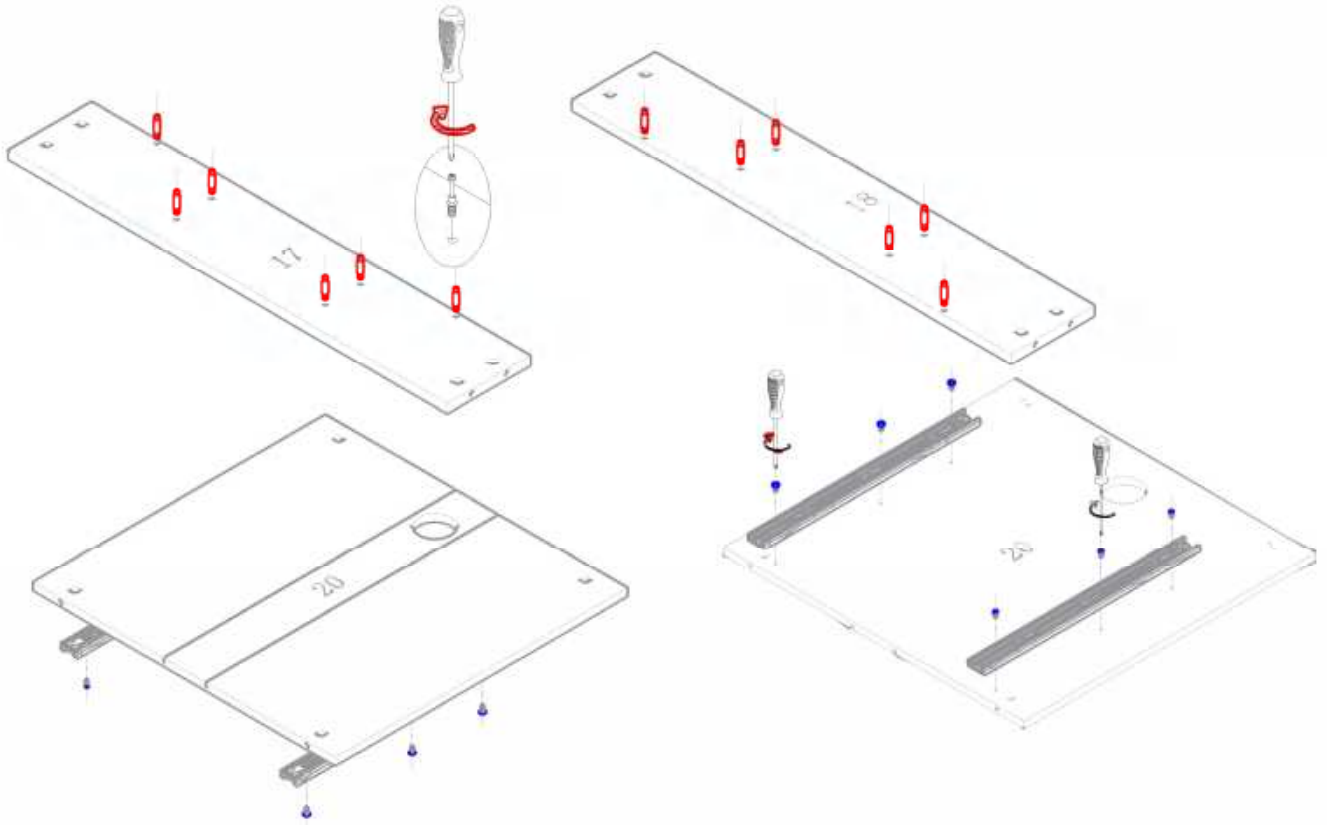
Installation steps:17



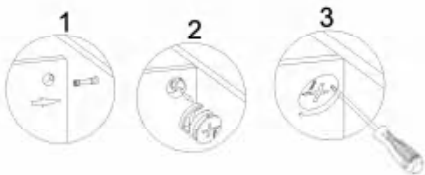
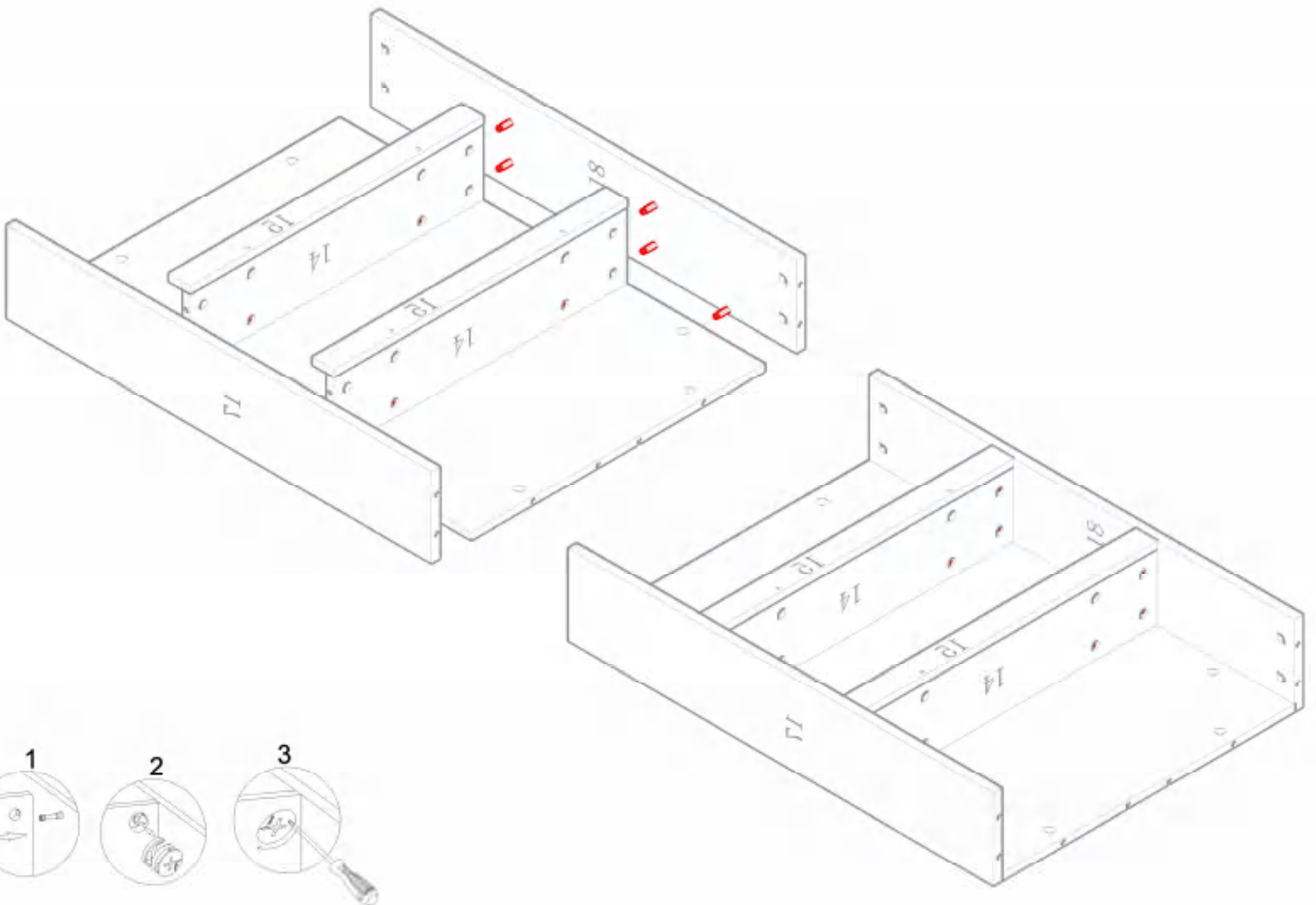
Installation steps:18



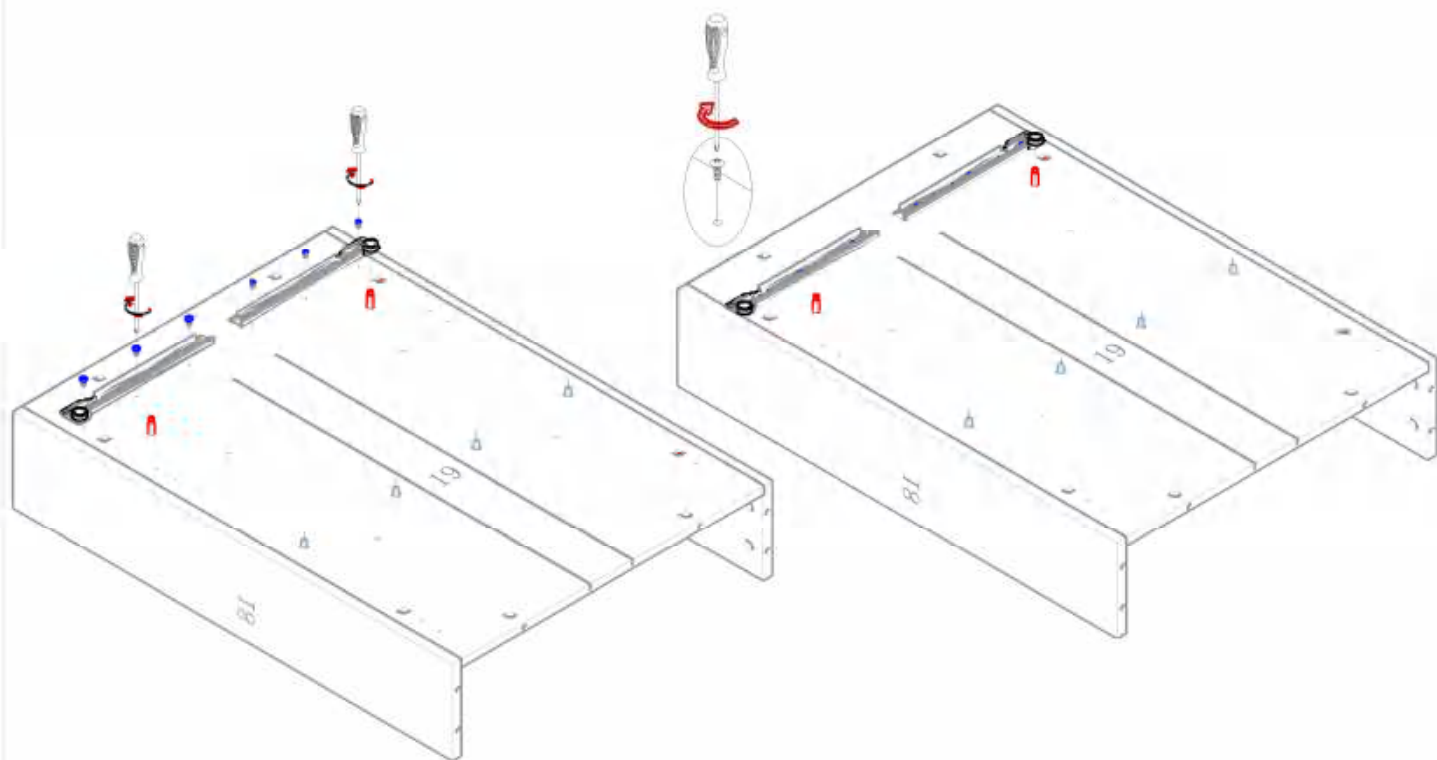
Installation steps:19





Installation steps:20



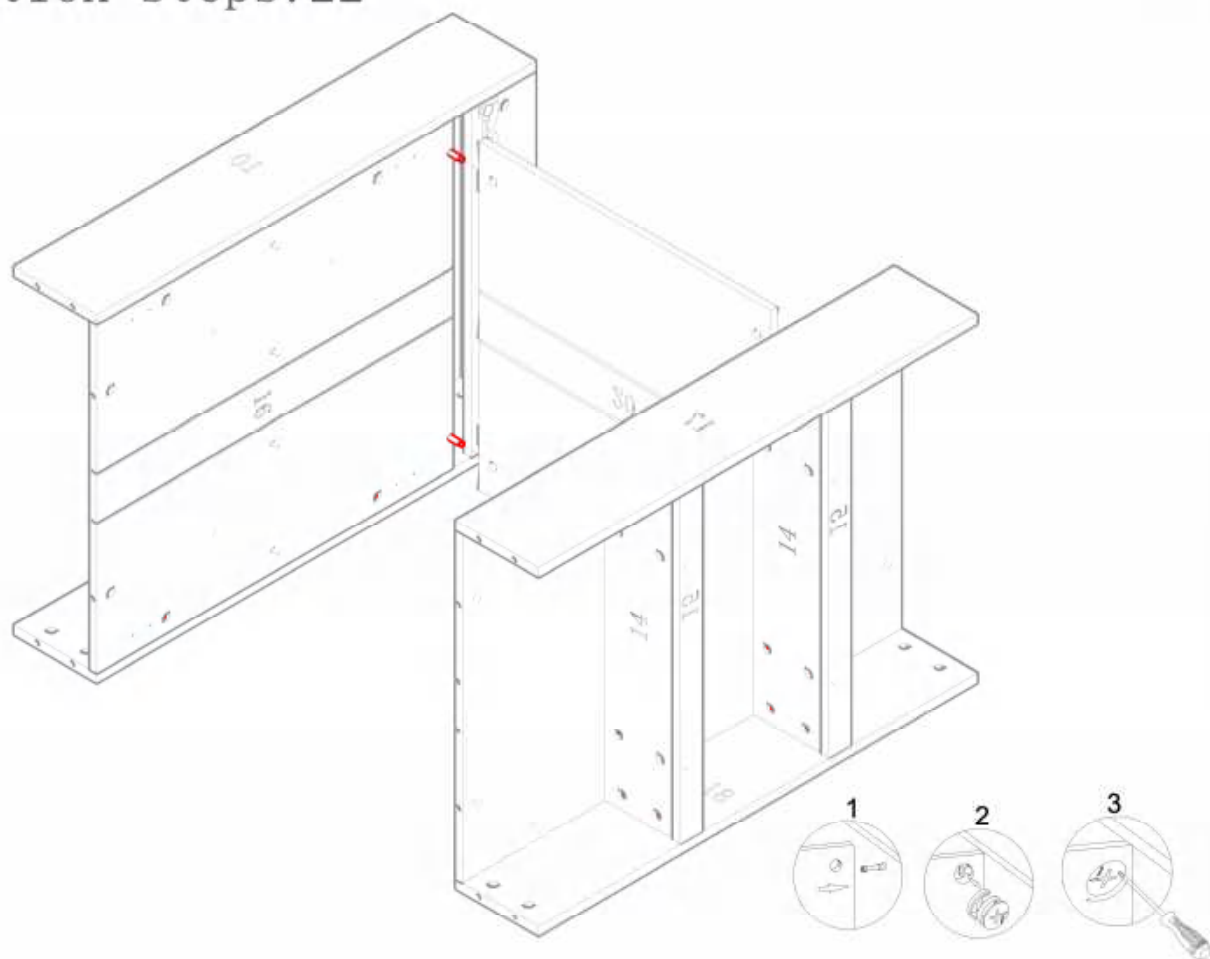
Installation steps:21



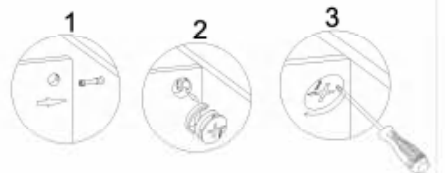
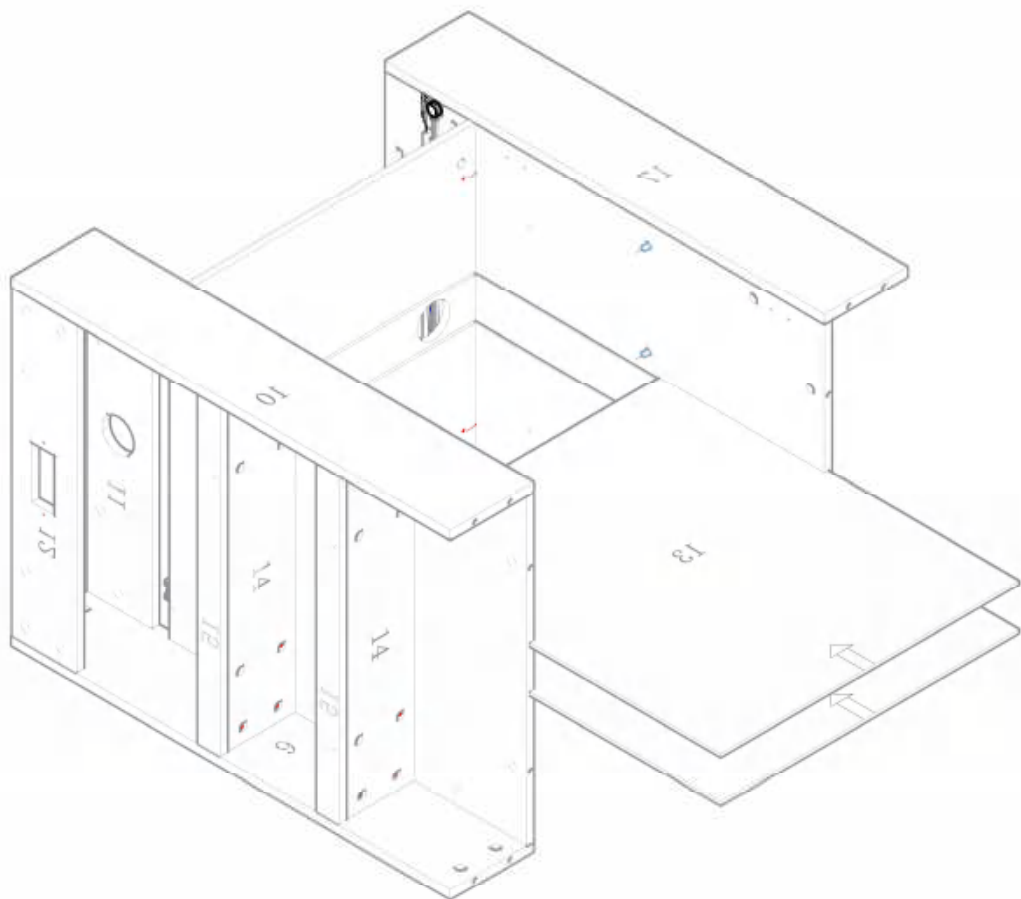
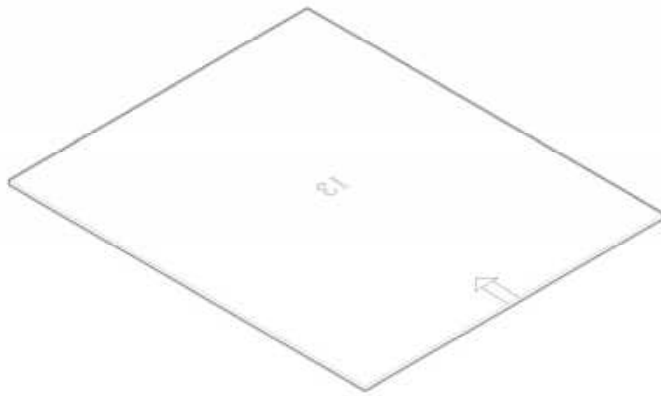
g  [X2] **E**  [X6]

Outer orbit

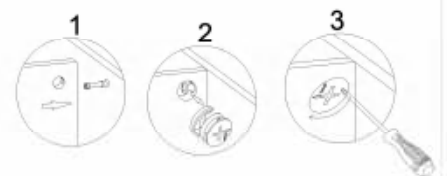
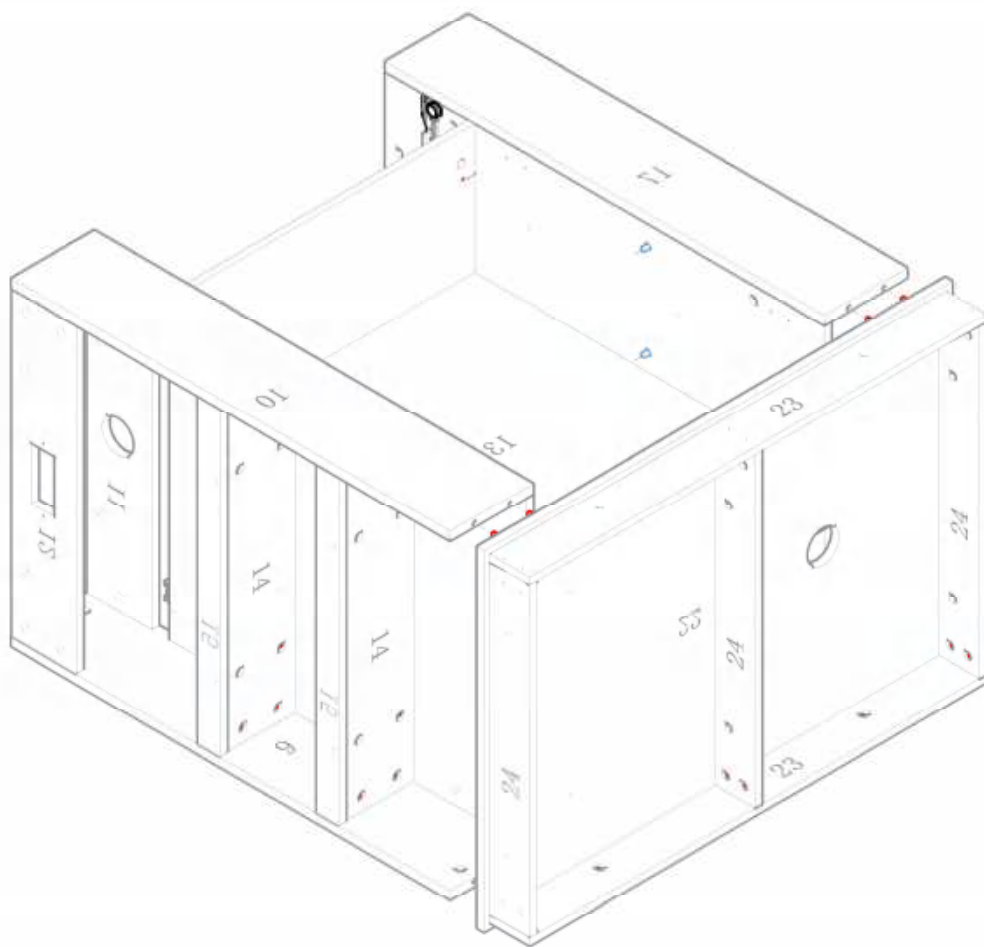
Installation steps:22



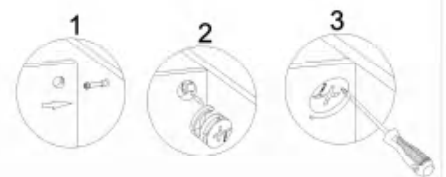
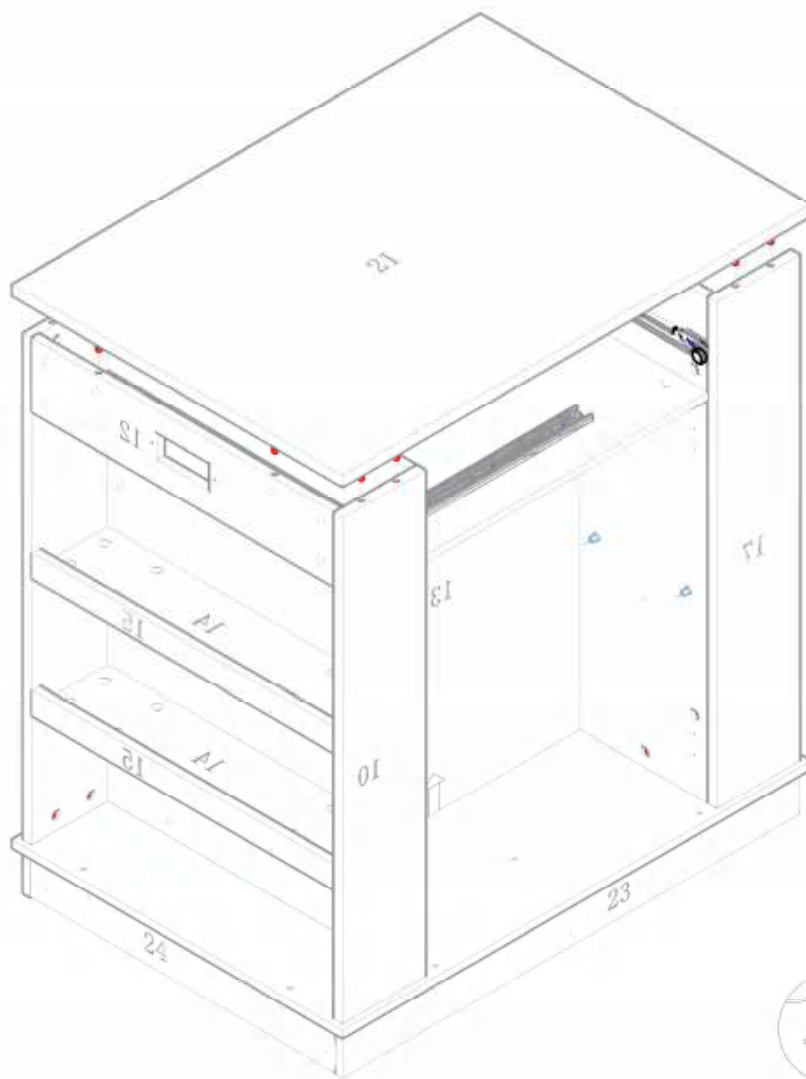
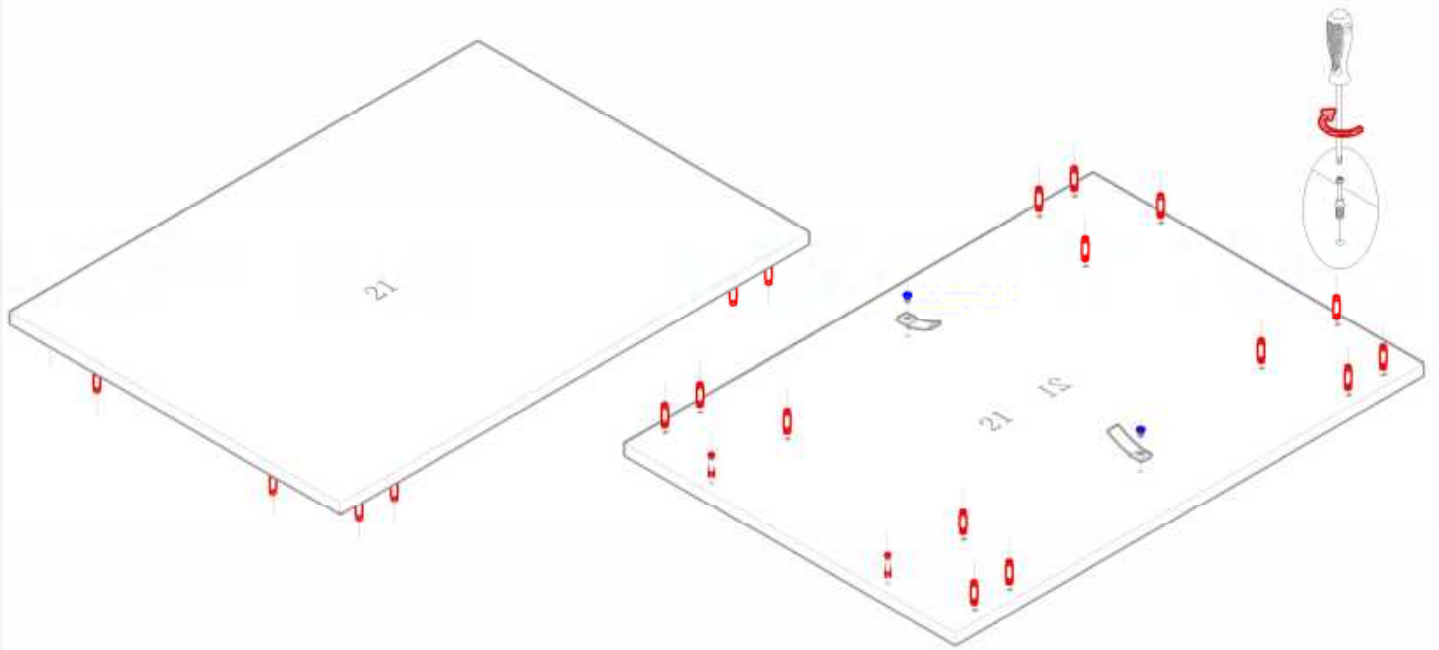
Installation steps: 23



Installation steps: 24



Installation steps: 25

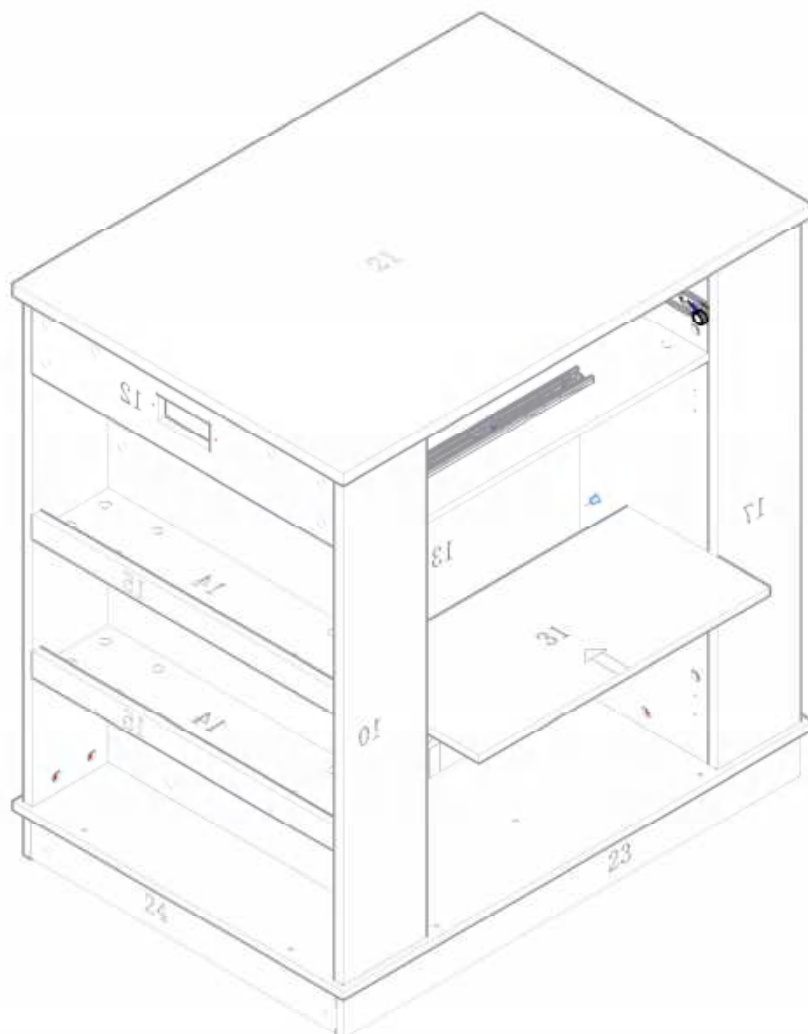


A  [X14]

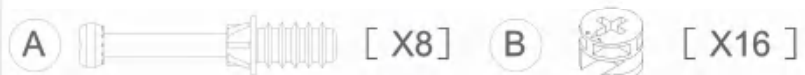
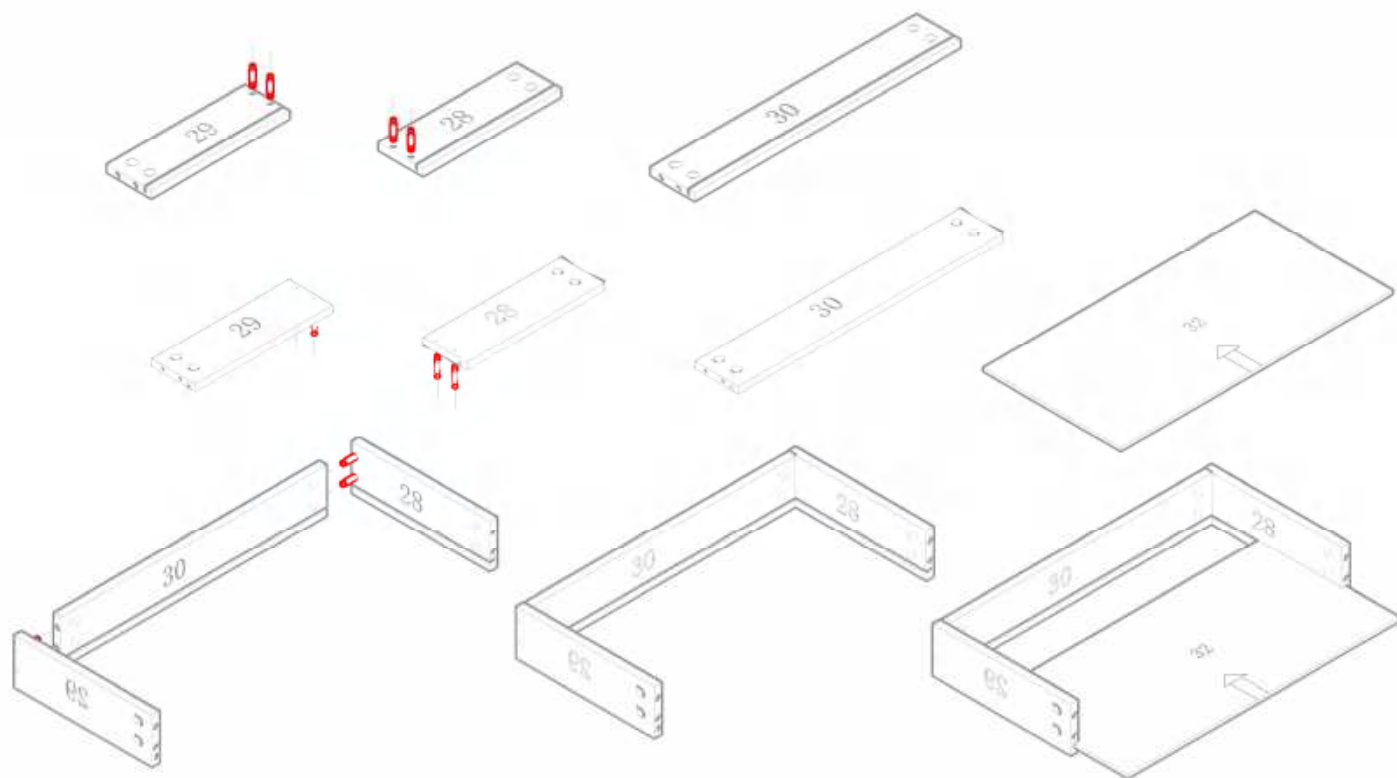
h  [X2]

E  [X2]

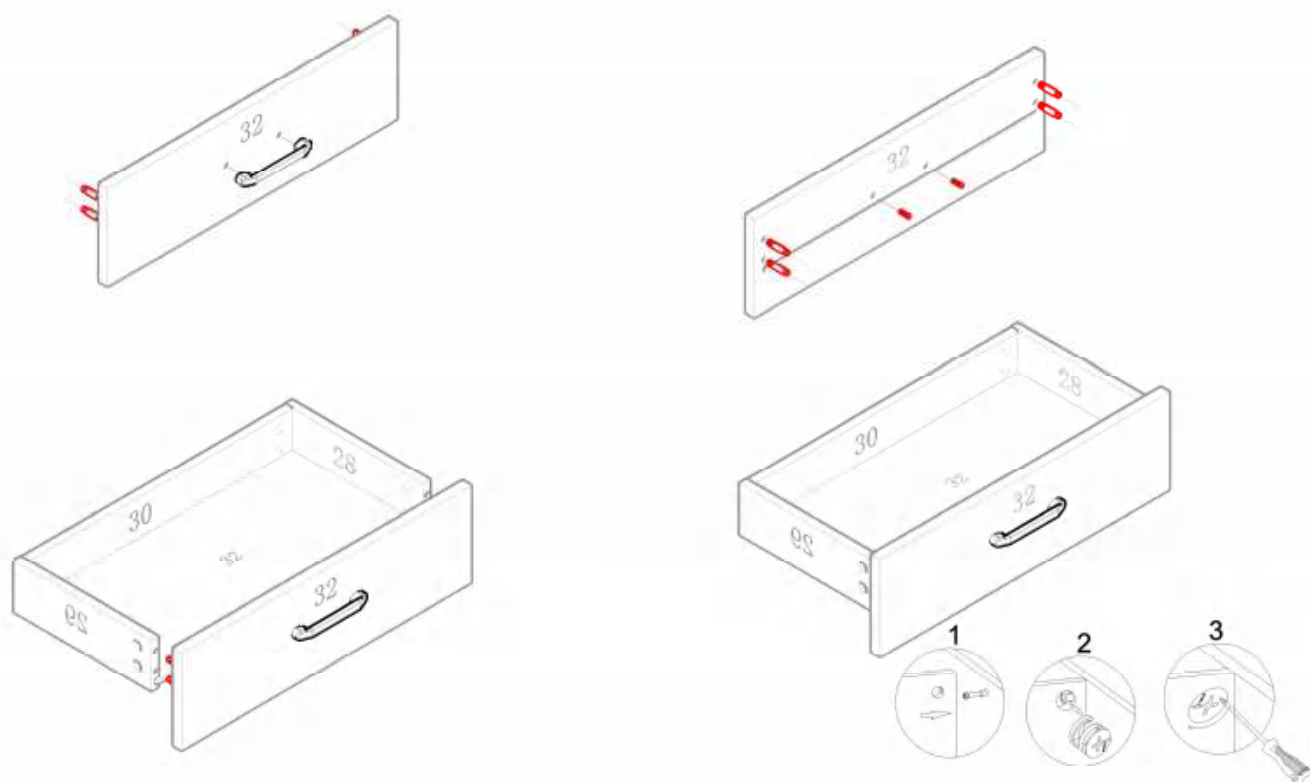
Installation steps: 26



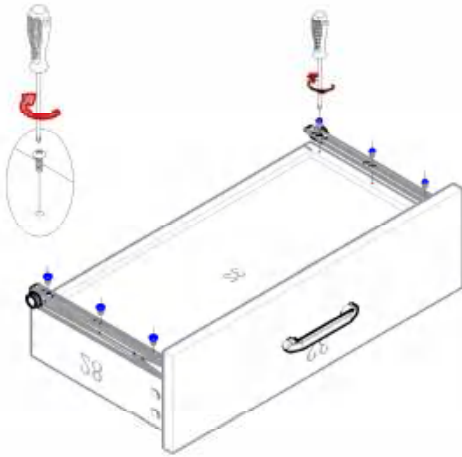
Installation steps:27

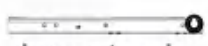



Installation steps:28

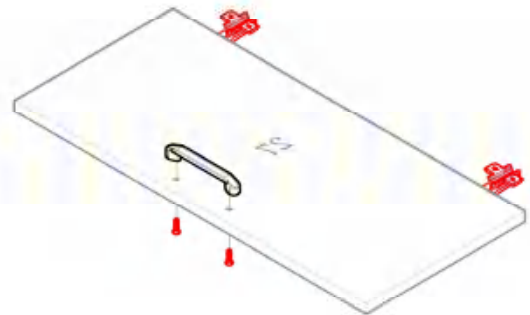
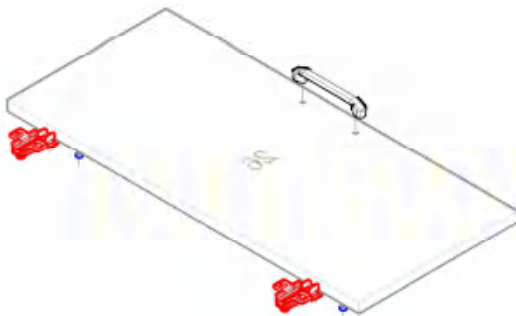
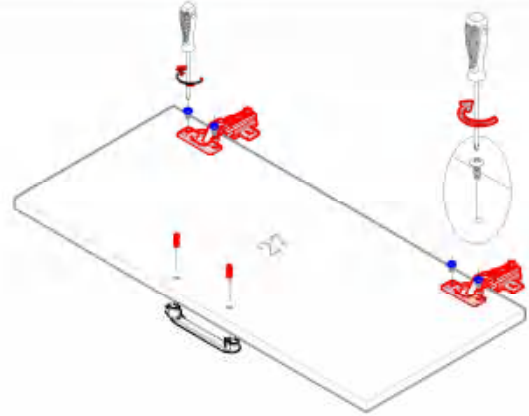
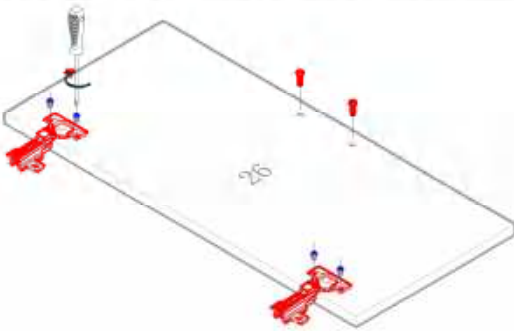






Installation steps:29



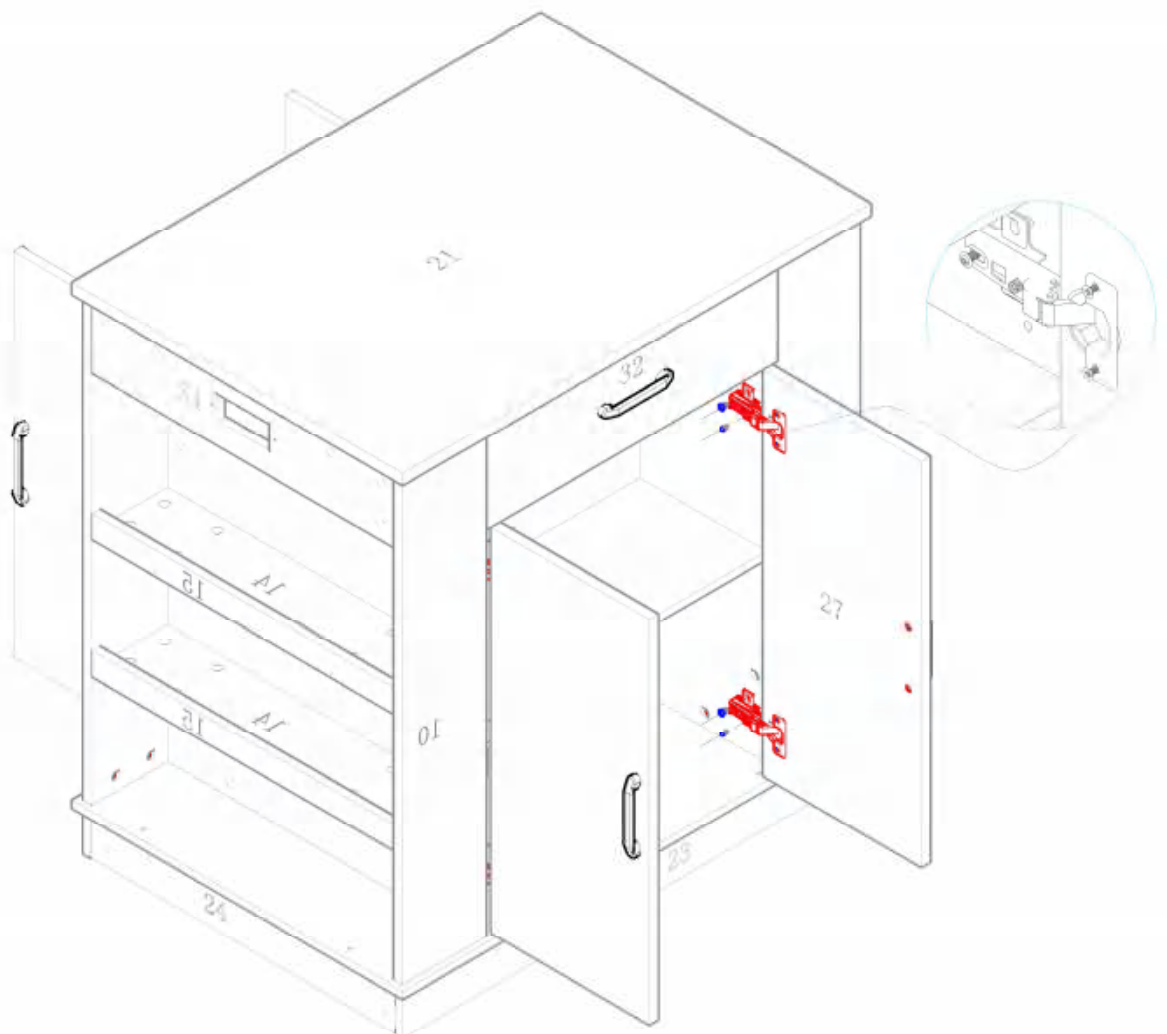
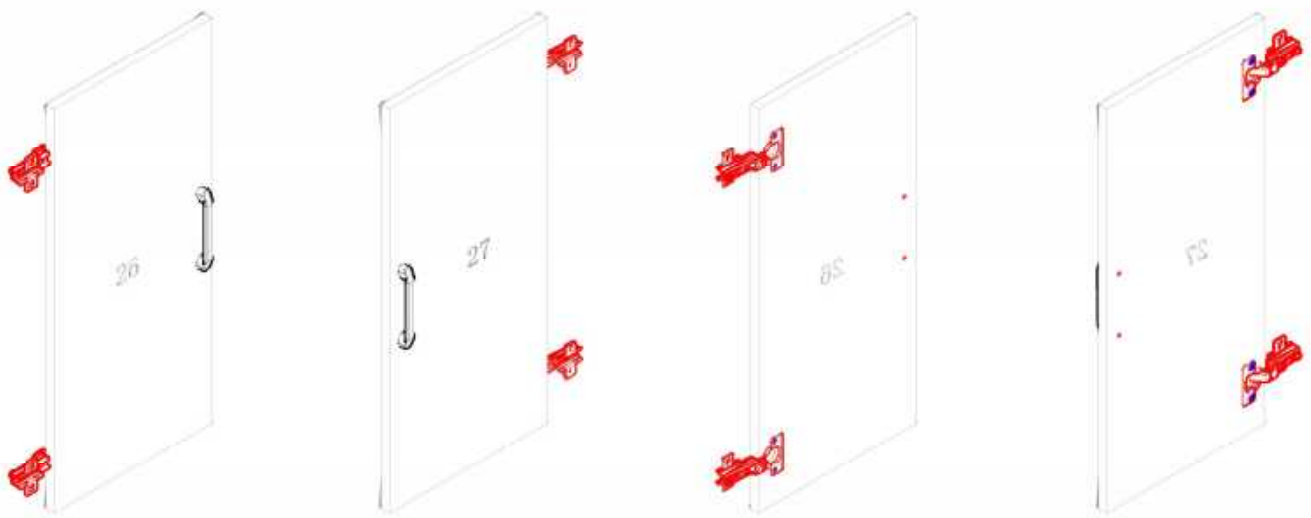
- g  [X4] E  [X12]

Installation steps:30

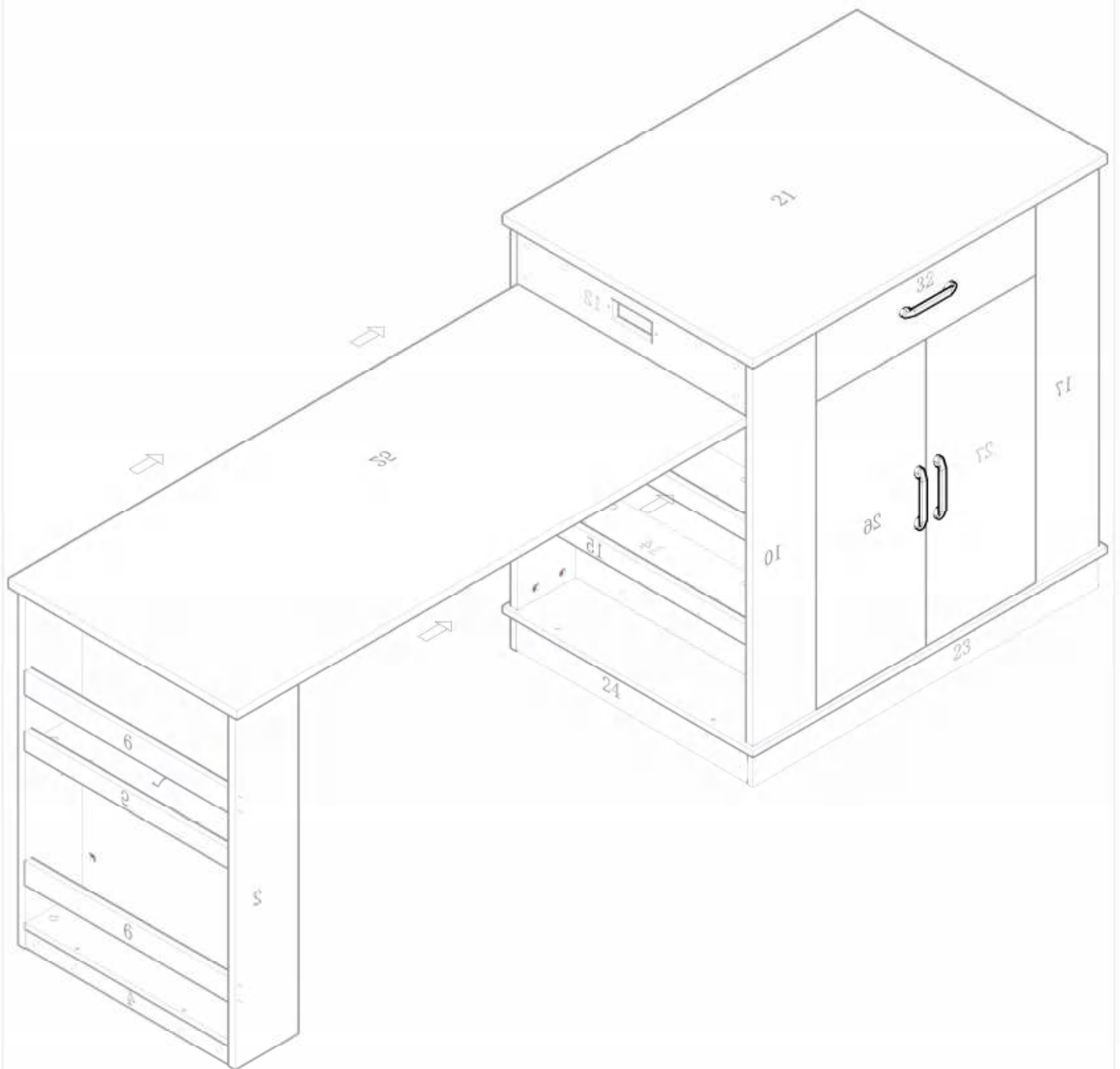


- E  [X48] Z  [X8] J  [X8] K  [X4]

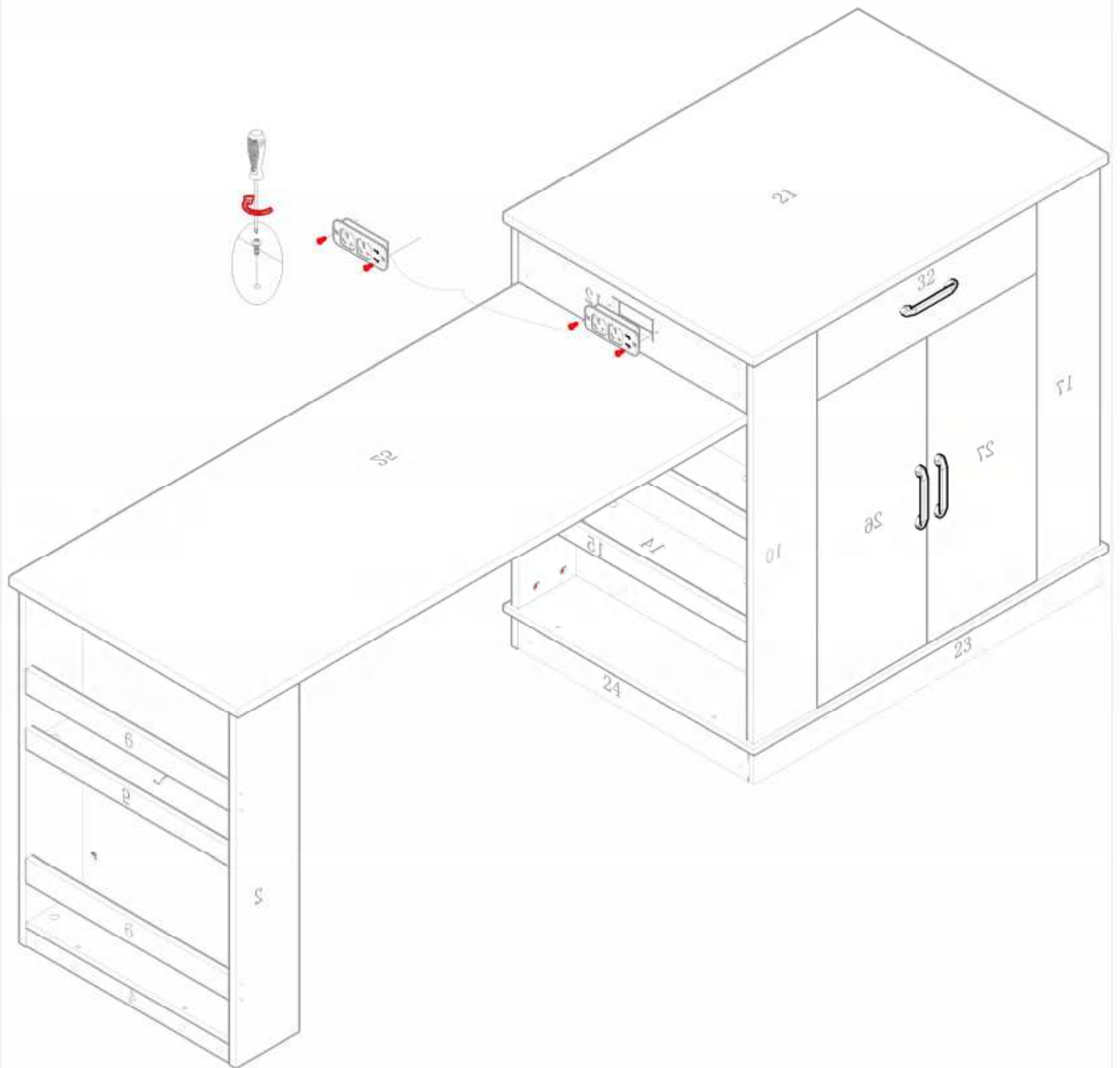
Installation steps: 32



Installation steps:33



Installation steps: 34



E  [X2]

U  [X1]