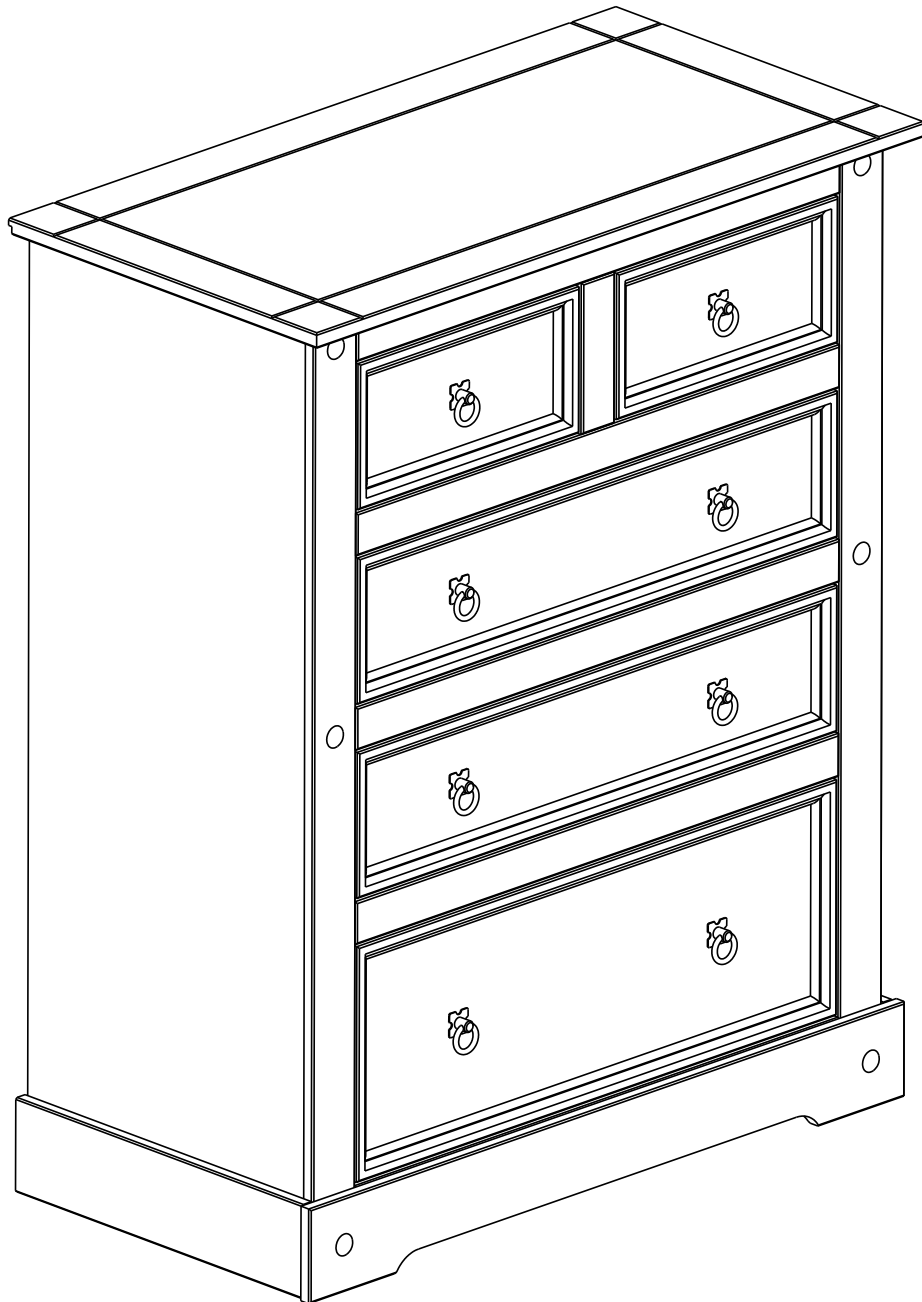


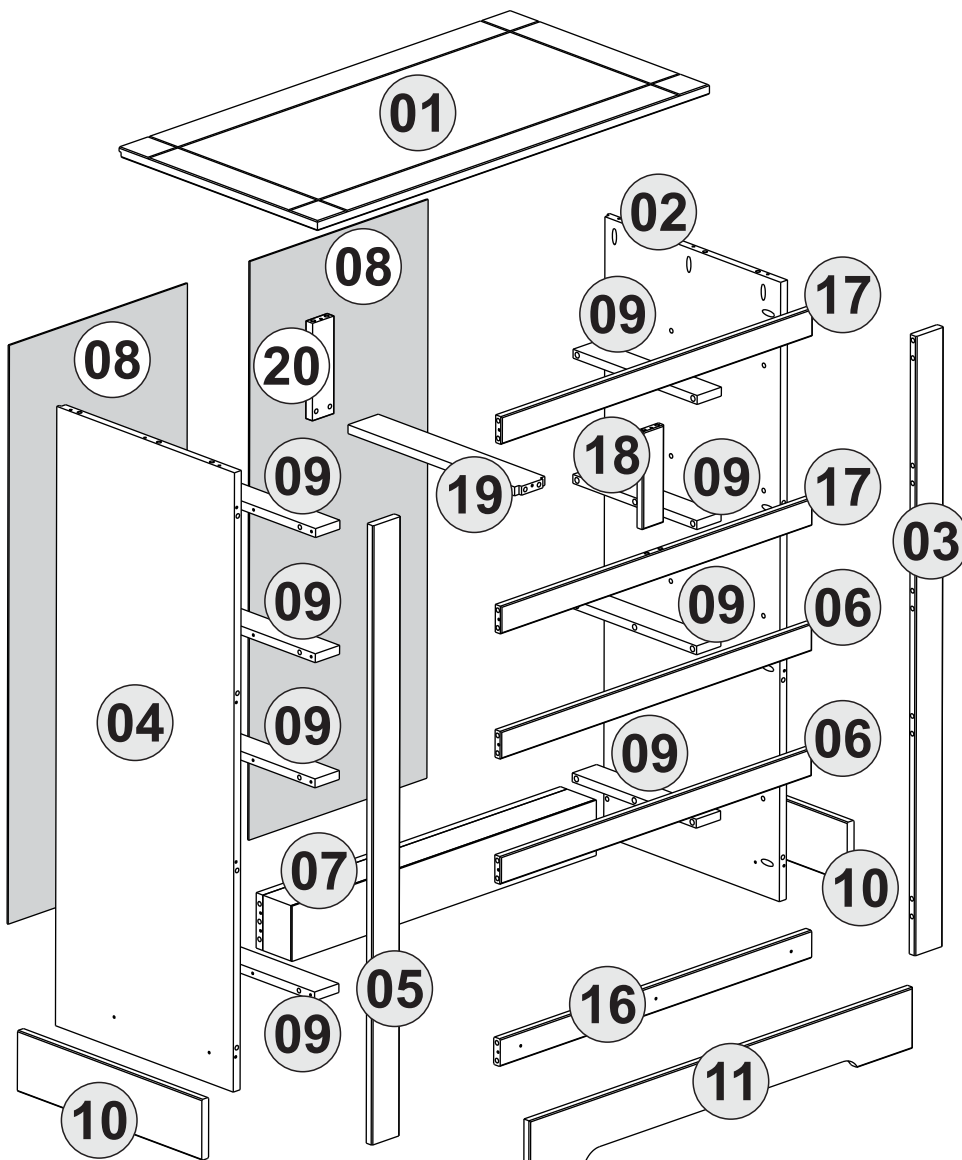
3+2 DRAWER CHEST

ASSEMBLY INSTRUCTIONS



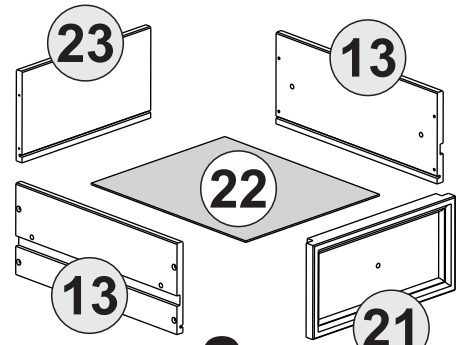
IMPORTANT
PLEASE READ BEFORE YOU CONTINUE FURTHER
FOR DOMESTIC USE ONLY
CARE AND MAINTENANCE

- After unpacking this product please keep the original packaging in case it needs to be returned for any reason.
- Please ensure all fittings and parts are present before commencing with assembly.
- We recommend that you lay a blanket or sheet on the floor to avoid damage to both your floor and the product.
- We strongly recommend that you keep children away from your work area.
- Assemble this product as close to its final position as possible
- Never drag or push products as this could cause damage to the joints making it inferior.
- Do not drag or push items across your furniture as this may cause the surface to scratch.
- Do not place this product next to radiator or in direct sunlight.
- Wood is a natural product and may expand if subjected to damp and may shrink or crack if subjected to heat. Therefore it is recommended that room temperature is maintained, with no sudden temperature fluctuations.
- Make sure any spillage is Wiped off immediately.
- Do not place hot or chilled items directly on to the surface, use a place mat or marking will occur.
- For general cleaning use soft cotton or micro fibre cloth and do not use detergents of any kind.
- Do not place on a wet or damp floor as staining may occur to your floor.
- From time to time it may be necessary to tighten fittings, regular inspections should be carried out.

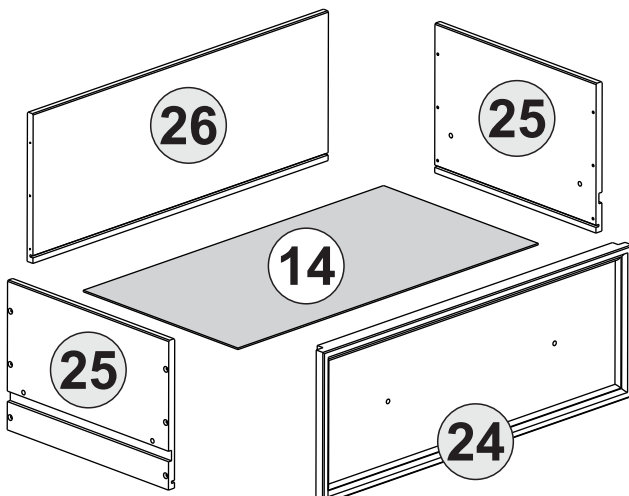


1x

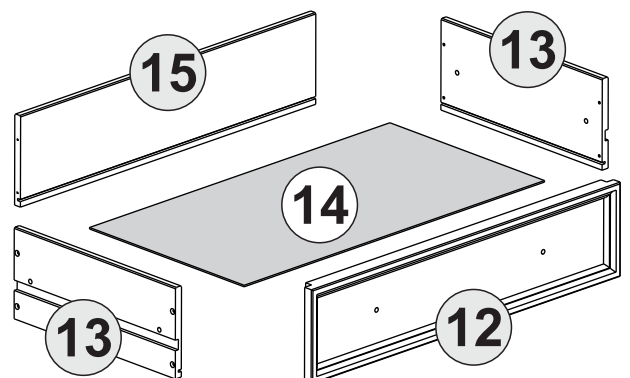
The side drawer with WARNING LABEL, should be mounted in highest drawer.



2x



1x



2x

Please Note:

The parts below have been stamped with the part number/color to help identify them during assembly

PARTS LIST

Part Number	Part Description	Quantity	Carton
01	Top Panel	1	1/1
02	Right Side Panel	1	1/1
03	Right Front Upright	1	1/1
04	Left Side Panel	1	1/1
05	Left Front Upright	1	1/1
06	Front Crossbeam	2	1/1
07	Back Crossbeam	1	1/1
08	Back Panel	2	1/1
09	Drawer Runner	8	1/1
10	Side Foot	2	1/1
11	Front Foot	1	1/1
12	Medium Drawer Front	2	1/1
13	Drawer Side	8	1/1
14	Drawer Bottom	3	1/1
15	Medium Drawer Back	2	1/1
16	Front Crossbeam Low	1	1/1
17	Upper Front Crossbeam	2	1/1
18	Front Vertical Crossbeam	1	1/1
19	Central Drawer Runner	1	1/1
20	Back Vertical Crossbeam	1	1/1
21	Small Drawer Front	2	1/1
22	Small Drawer Bottom	2	1/1
23	Small Drawer Back	2	1/1
24	Large drawer front	1	1/1
25	Large Drawer Side	2	1/1
26	Large Drawer Back	1	1/1

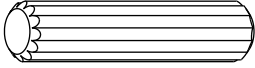



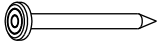
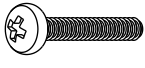
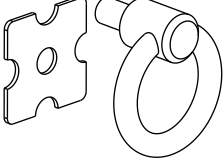
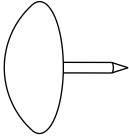
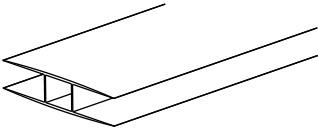




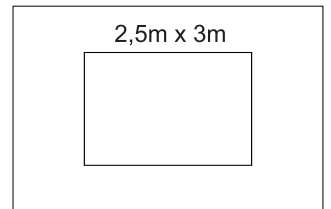
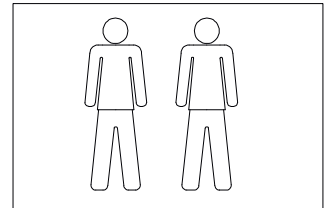
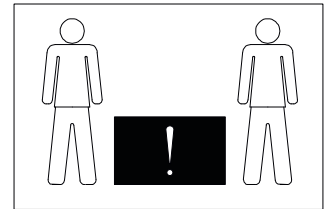
* Use of power tools to assemble this product will invalidate any claim and damage this product making it unsafe !!!
* Please assemble on a clean soft surface to avoid damage.



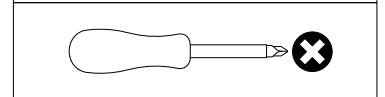
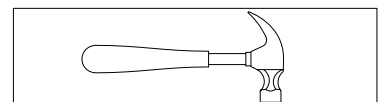
* Please check contents and read the instructions before commencing assembly.
* Assemble this product following the enclosed instructions carefully.
* Please take care to avoid damaging panels during assembly.

FITTINGS

A	 Ø8 x 30mm	76
B	 Ø3,5 x 30mm	41
C	 Ø3,0 x 30mm	44
D	 Ø4,0 x 40mm	24
E	 8 x 8mm	28
F	 3/16 x 5/8	08
G		08
H		06
I	 1000mm	01
K	 Strap	01
L	 Washer	02

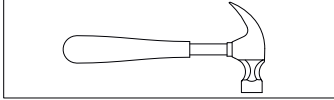


TOOLS REQUIRED



STEP 1

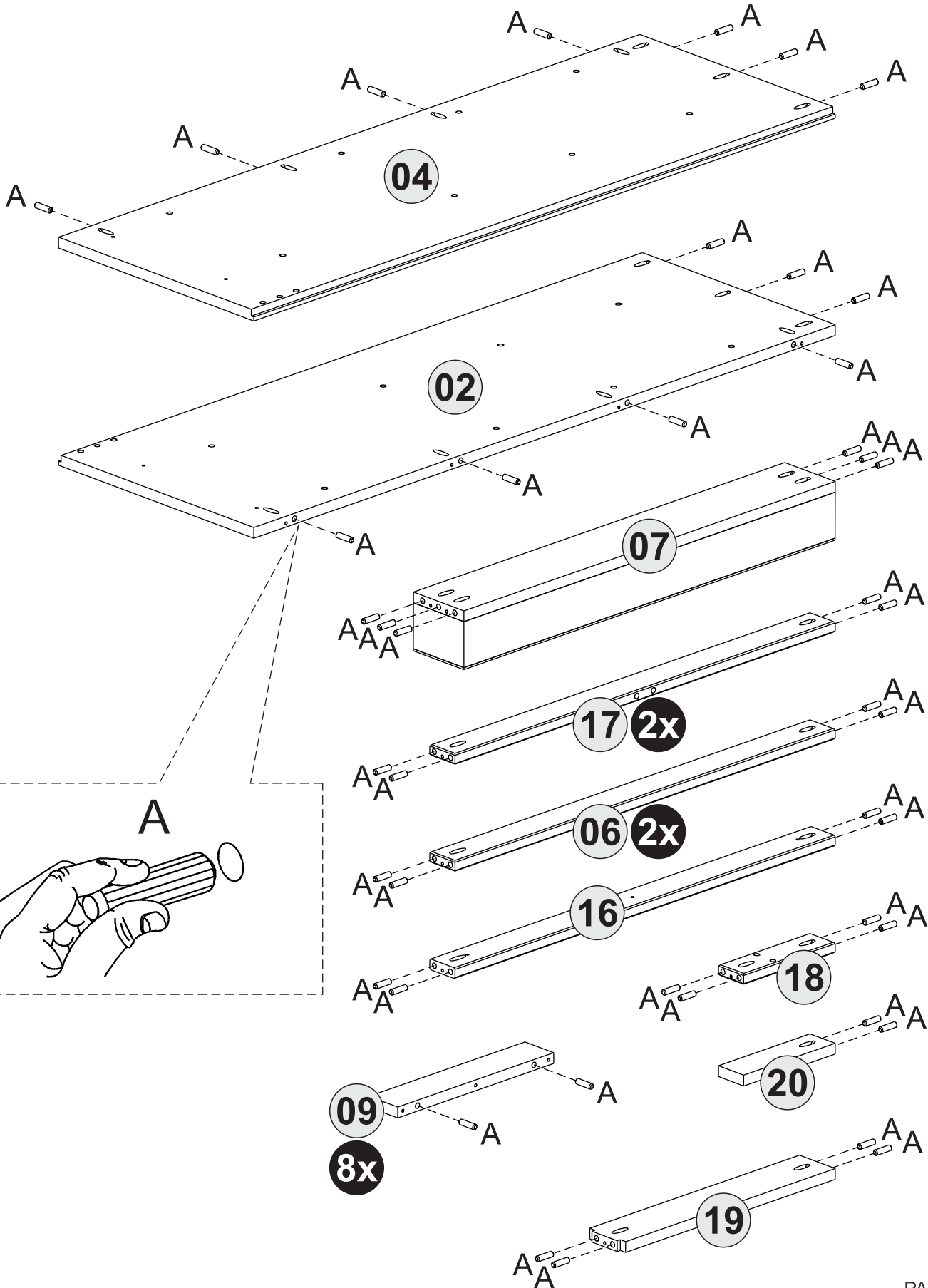
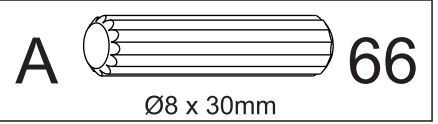
TOOLS REQUIRED



PARTS REQUIRED

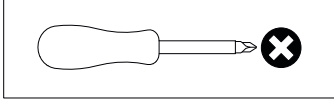
02 - RIGHT SIDE PANEL	x1	16 - FRONT CROSSBEAM LOW	x1
04 - LEFT SIDE PANEL	x1	17 - UPPER FRONT CROSSBEAM	x2
06 - FRONT CROSSBEAM SHORT	x2	18 - FRONT VERTICAL CROSSBEAM	x1
07 - BACK CROSSBEAM	x1	19 - CENTRAL DRAWER RUNNER	x1
09 - DRAWER RUNNER	x8	20 - BACK VERTICAL CROSSBEAM	x1

HARDWARE REQUIRED



STEP 2

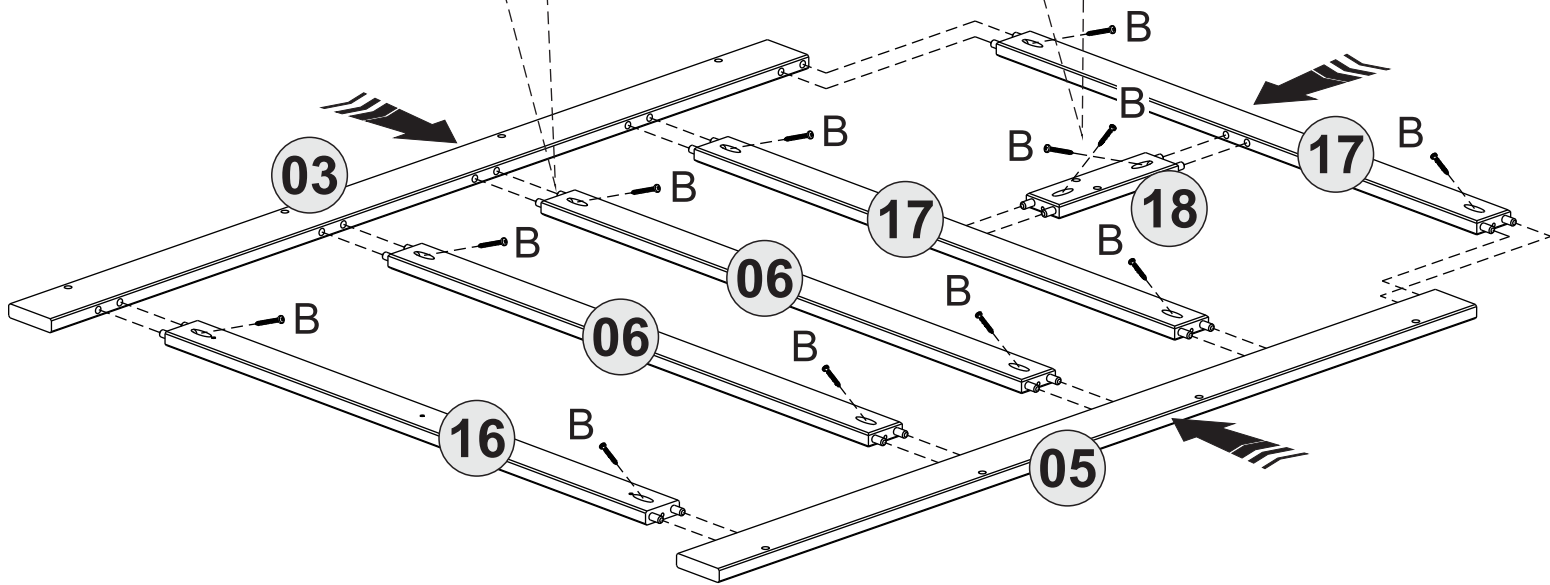
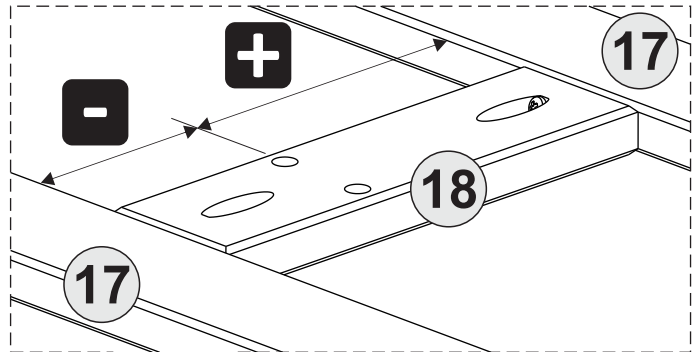
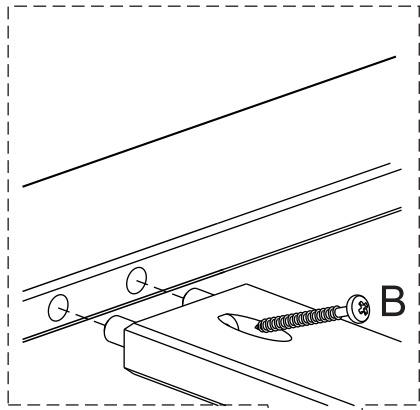
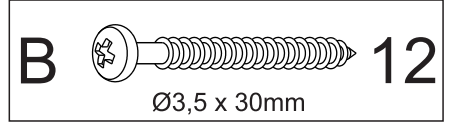
TOOLS REQUIRED



PARTS REQUIRED

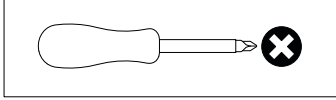
- 3 - RIGHT FRONT UPRIGHT **x1**
- 5 - LEFT FRONT UPRIGHT **x1**
- 6 - FRONT CROSSBEAM **x2**
- 16 - FRONT CROSSBEAM LO W **x1**
- 17 - UPPER FRONT CROSSBEAM **x2**
- 18 - FRONT VERTICAL CROSSBEAM **x1**

HARDWARE REQUIRED



STEP 3

TOOLS REQUIRED

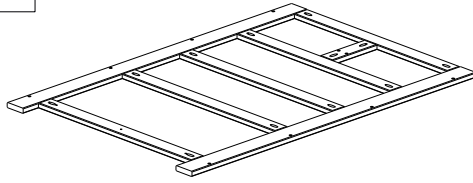


PARTS REQUIRED

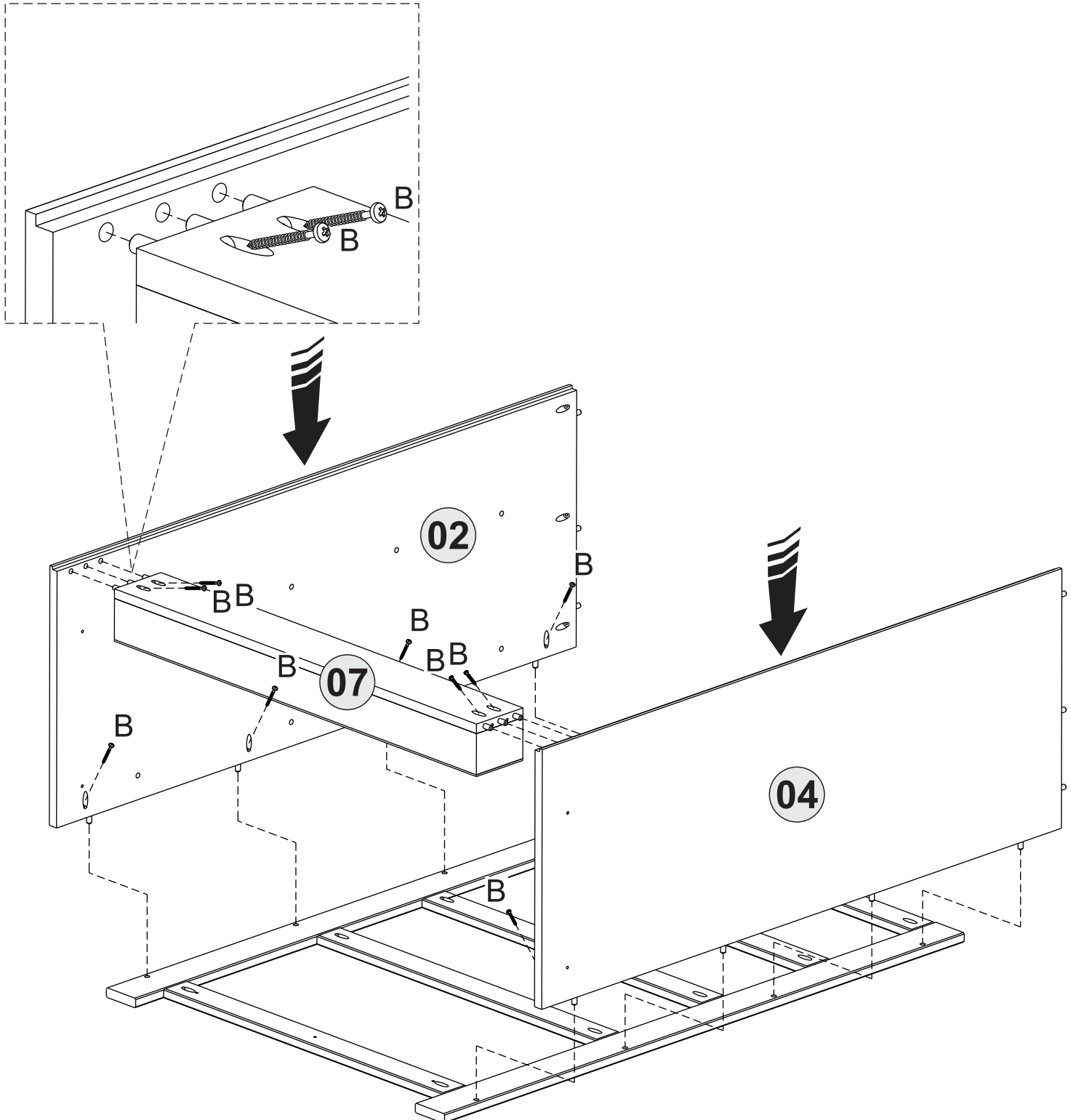
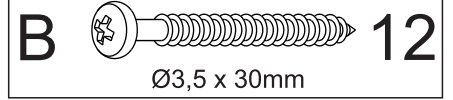
2 - RIGHT SIDE PANEL x1

4 - LEFT SIDE PANEL x1

7 - BACK CROSSBEAM x1

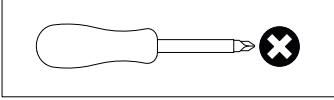


HARDWARE REQUIRED



STEP 4

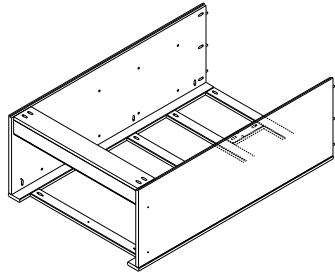
TOOLS REQUIRED



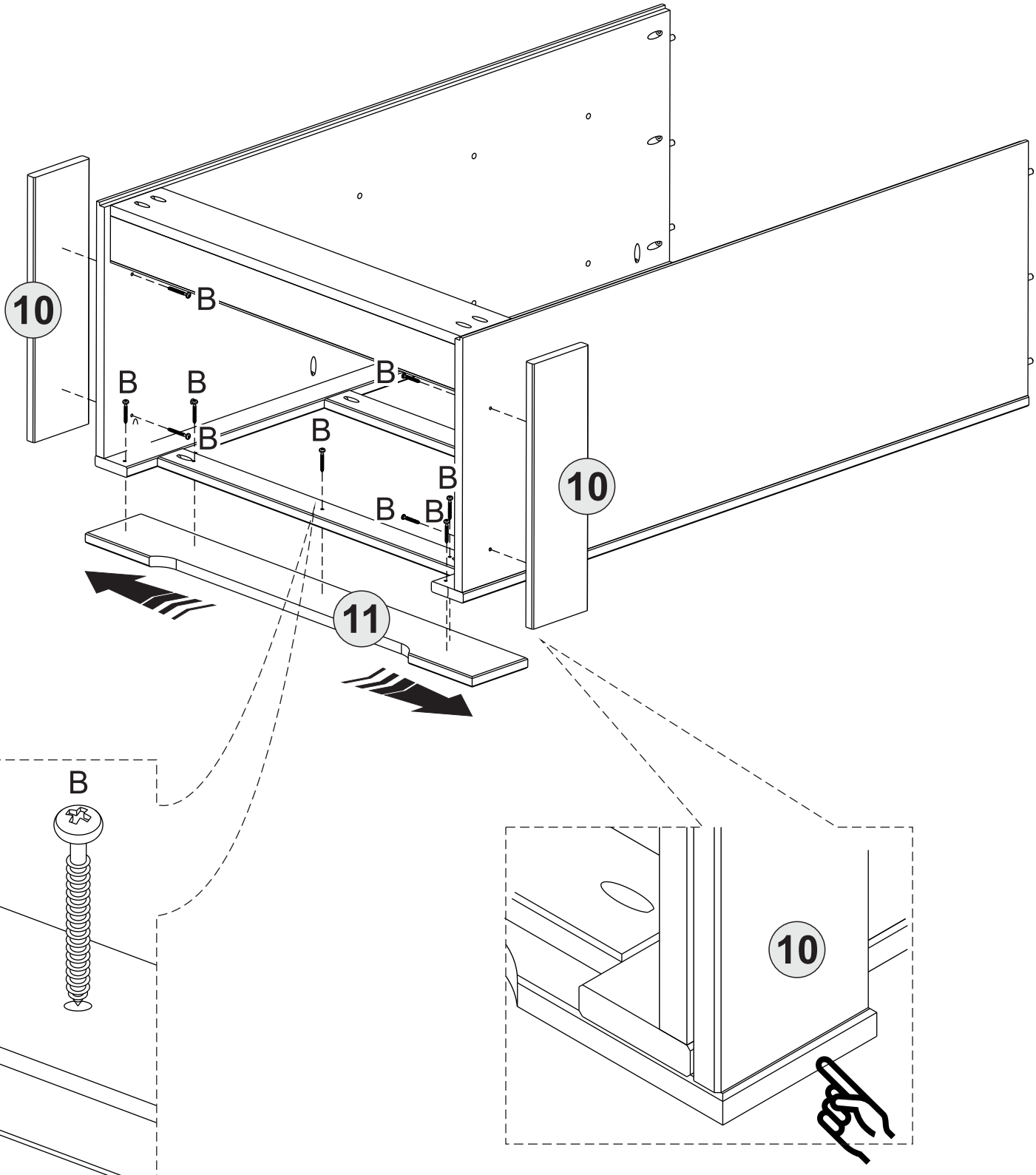
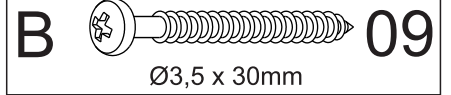
PARTS REQUIRED

10 - SIDE FOOT x2

11 - FRONT FOOT x1



HARDWARE REQUIRED




STEP 5

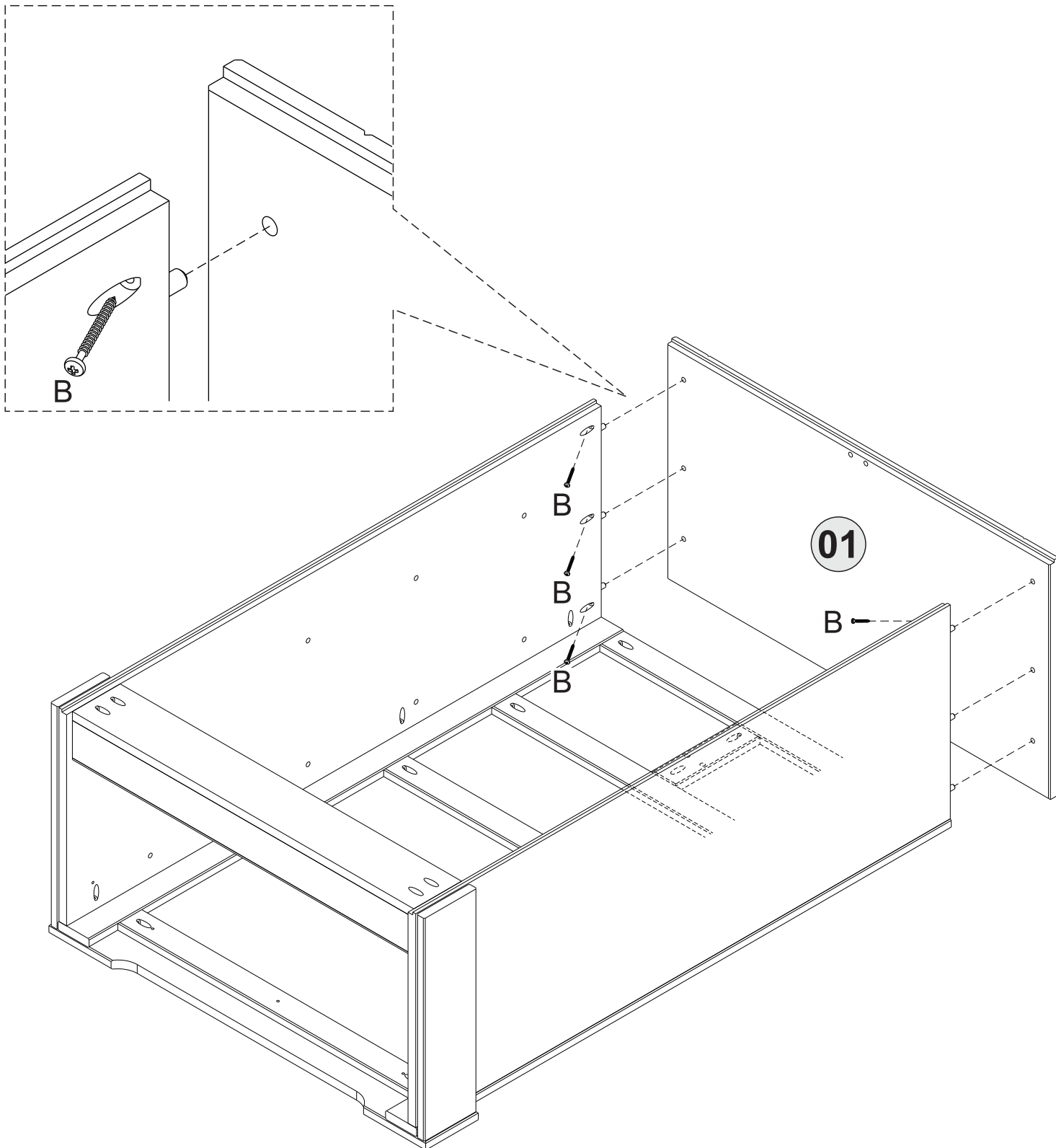
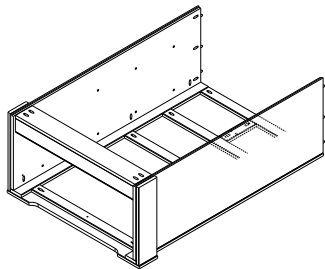
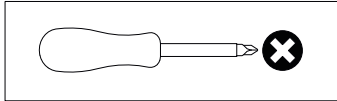
PARTS REQUIRED

1 - TOP PANEL **x1**

HARDWARE REQUIRED

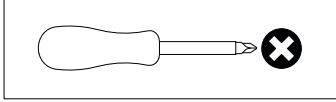
B  **06**
Ø3,5 x 30mm

TOOLS REQUIRED



STEP 6

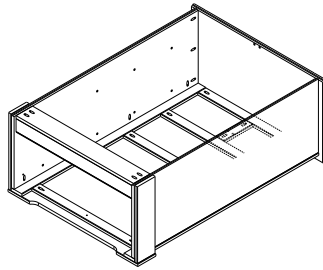
TOOLS REQUIRED



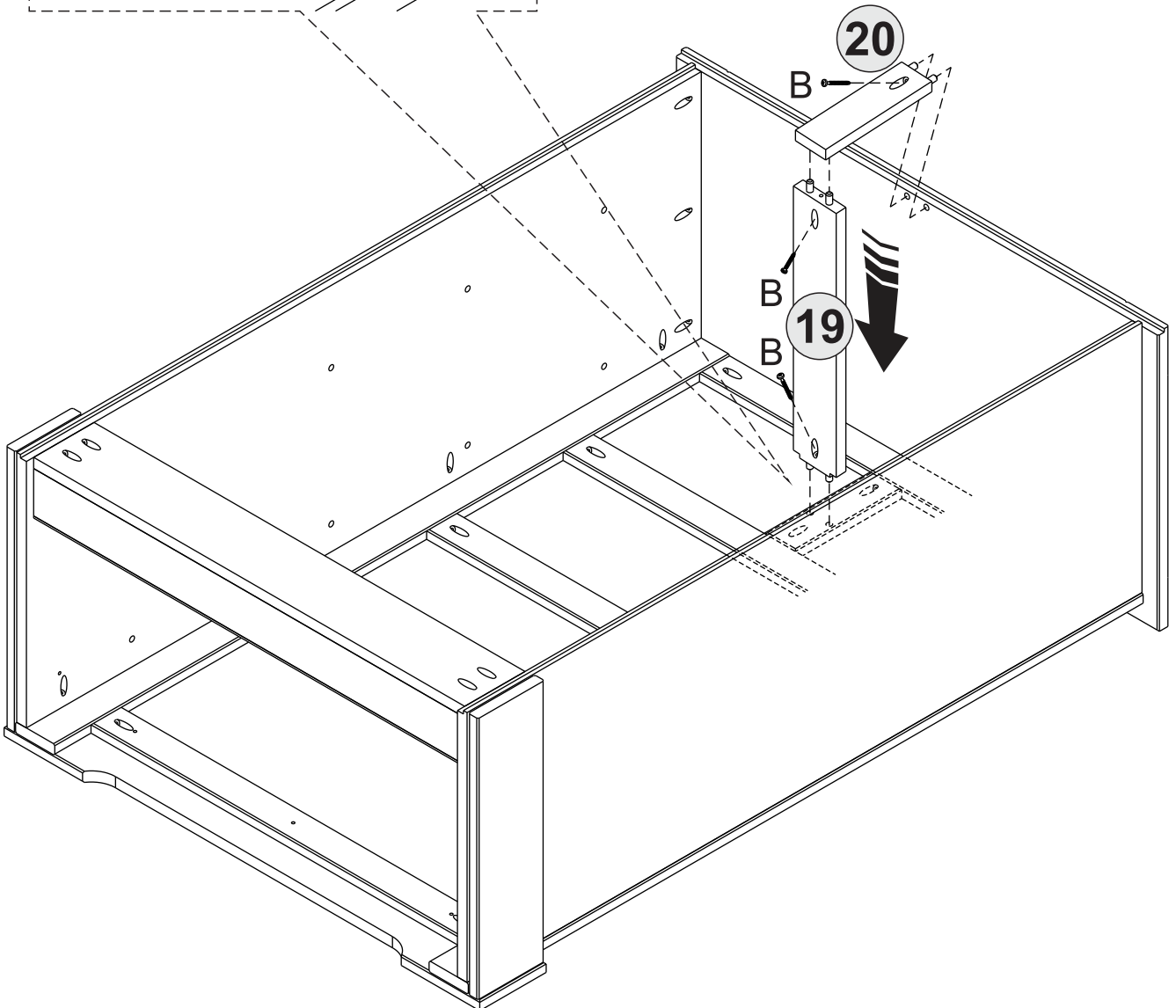
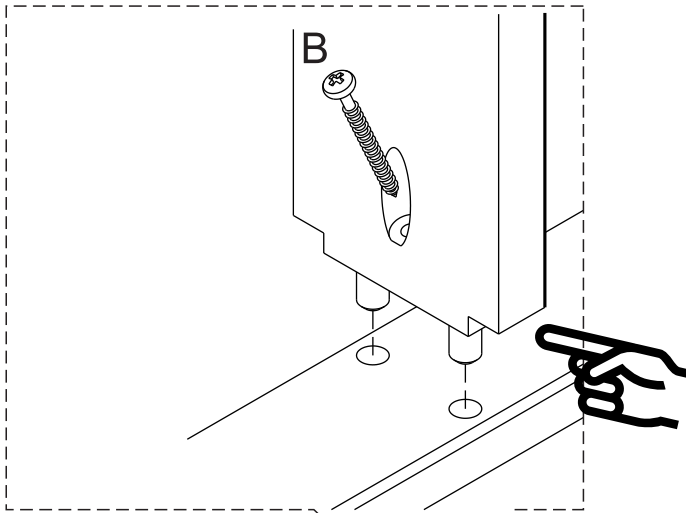
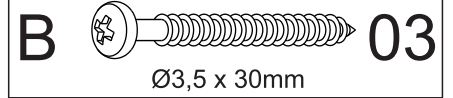
PARTS REQUIRED

19 - CENTRAL DRAWER RUNNER **x1**

20 - BACK VERTICAL CROSSBEAM **x1**



HARDWARE REQUIRED

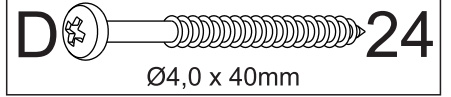


STEP 7

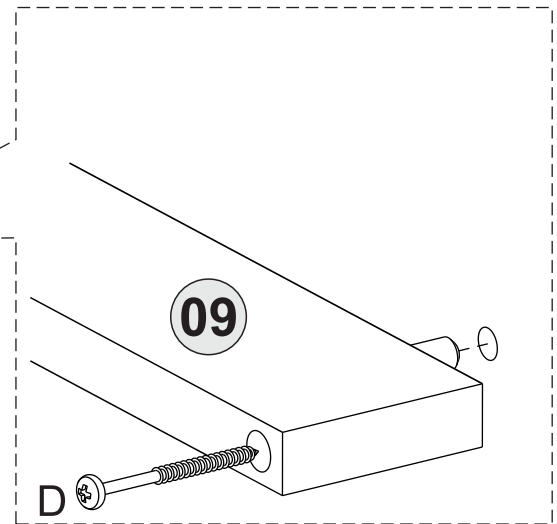
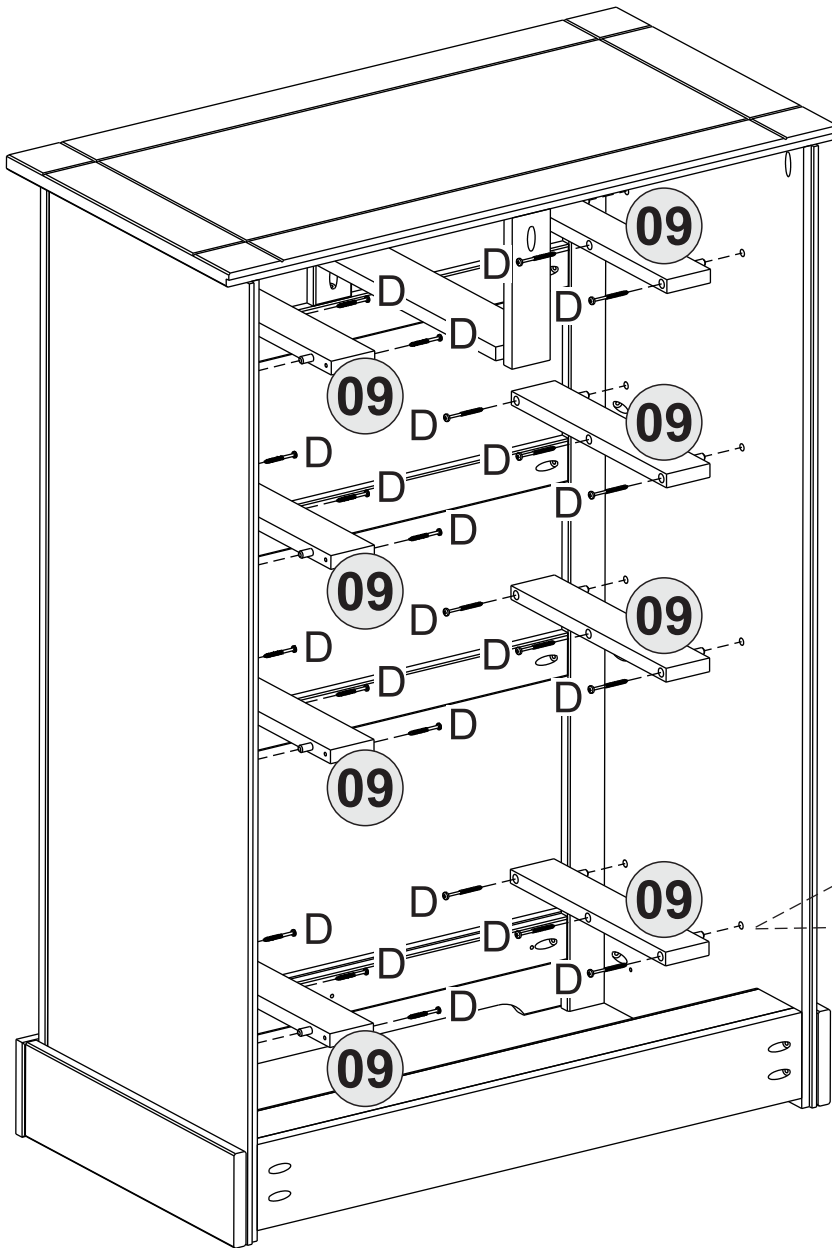
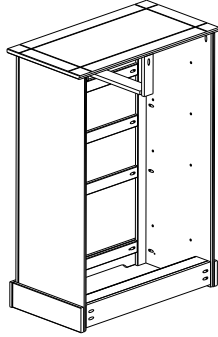
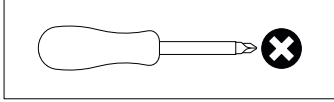
PARTS REQUIRED

9 - DRAWER RUNNER **x8**

HARDWARE REQUIRED



TOOLS REQUIRED

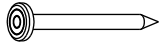



STEP 8

PARTS REQUIRED

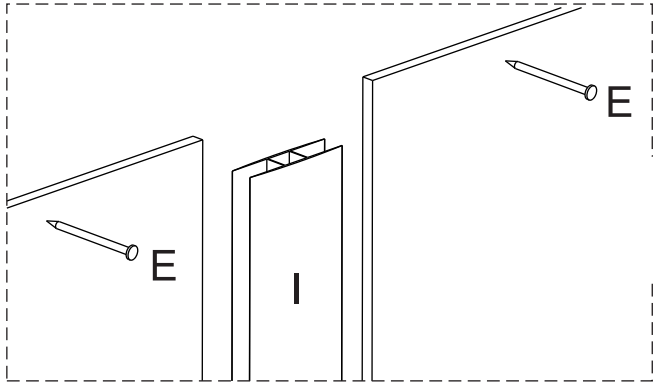
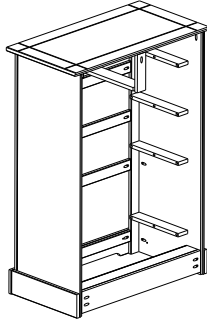
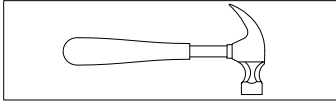
8 - BACK PANEL x2

HARDWARE REQUIRED

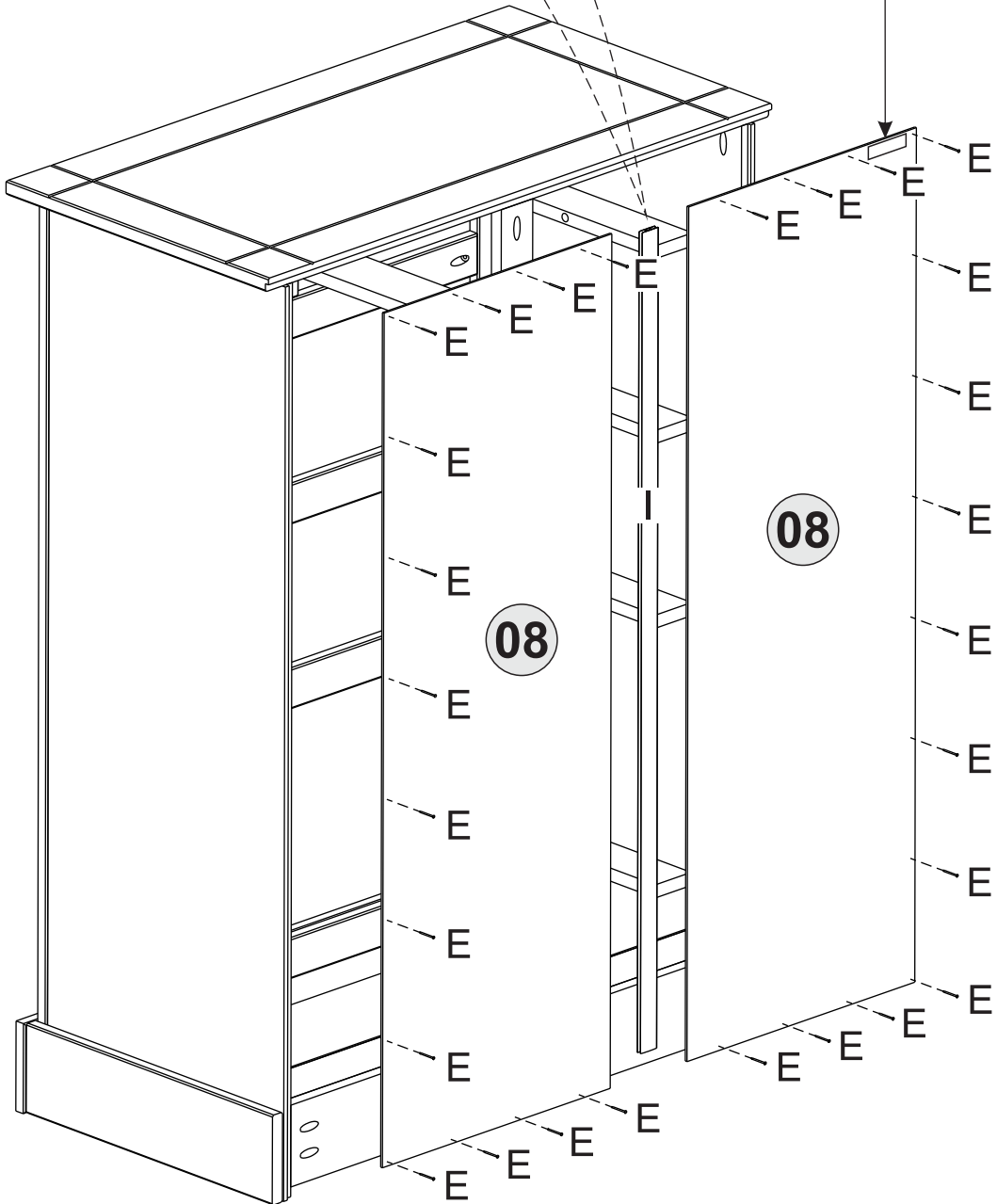
E  **28**
8 x 8mm

I  **01**
1000mm

TOOLS REQUIRED

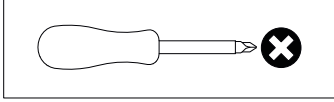


* For your future reference
Order Number should be here



STEP 9

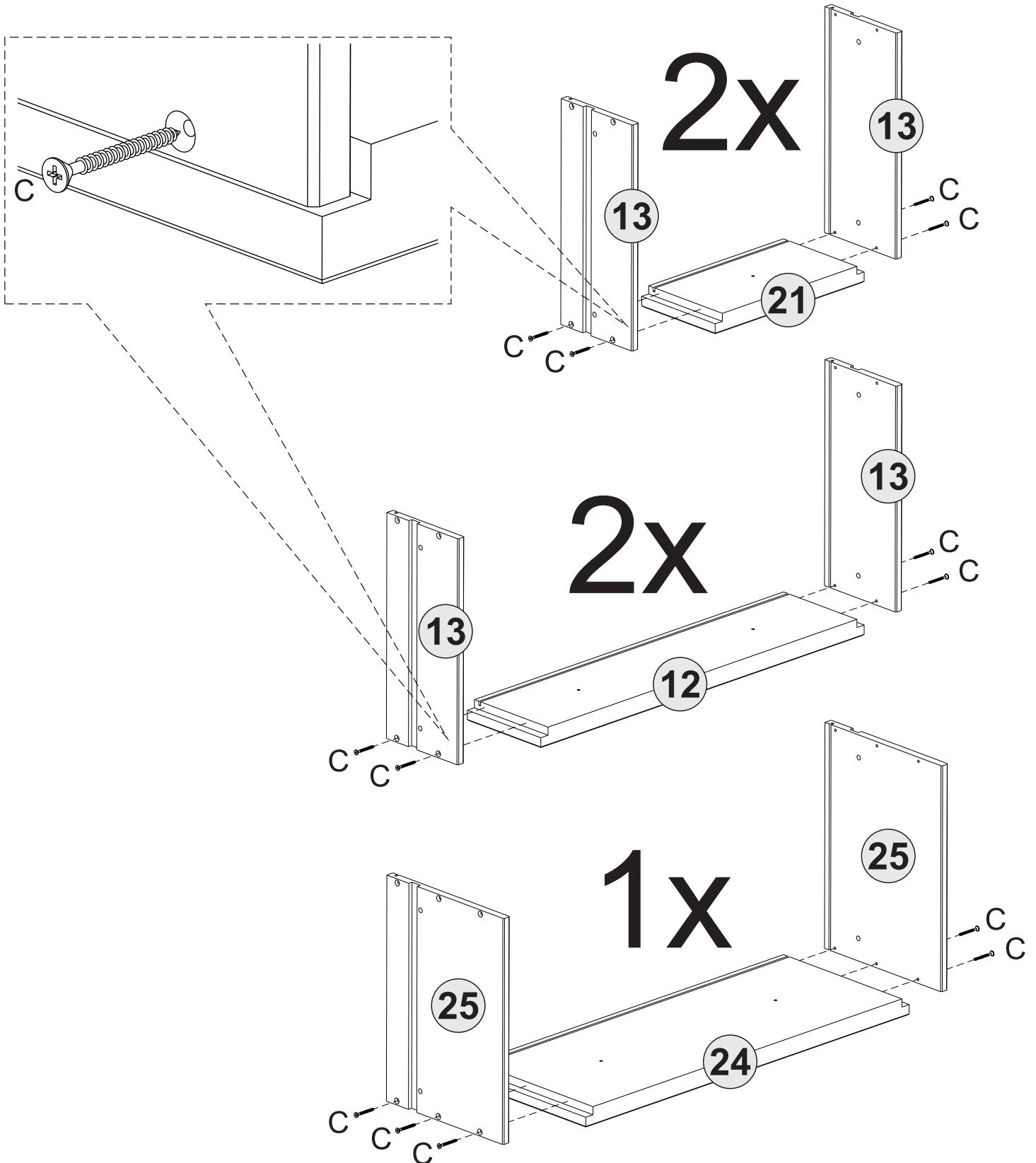
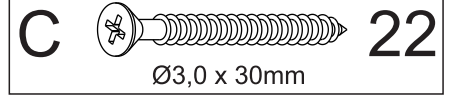
TOOLS REQUIRED



PARTS REQUIRED

- 12 - MEDIUM DRAWER FRONT **x2**
- 13 - DRAWER SIDE **x8**
- 21 - SMALL DRAWER FRONT **x2**
- 24 - LARGE DRAWER FRONT **x1**
- 25 - LARGE DRAWER SIDE **x2**

HARDWARE REQUIRED



STEP 10

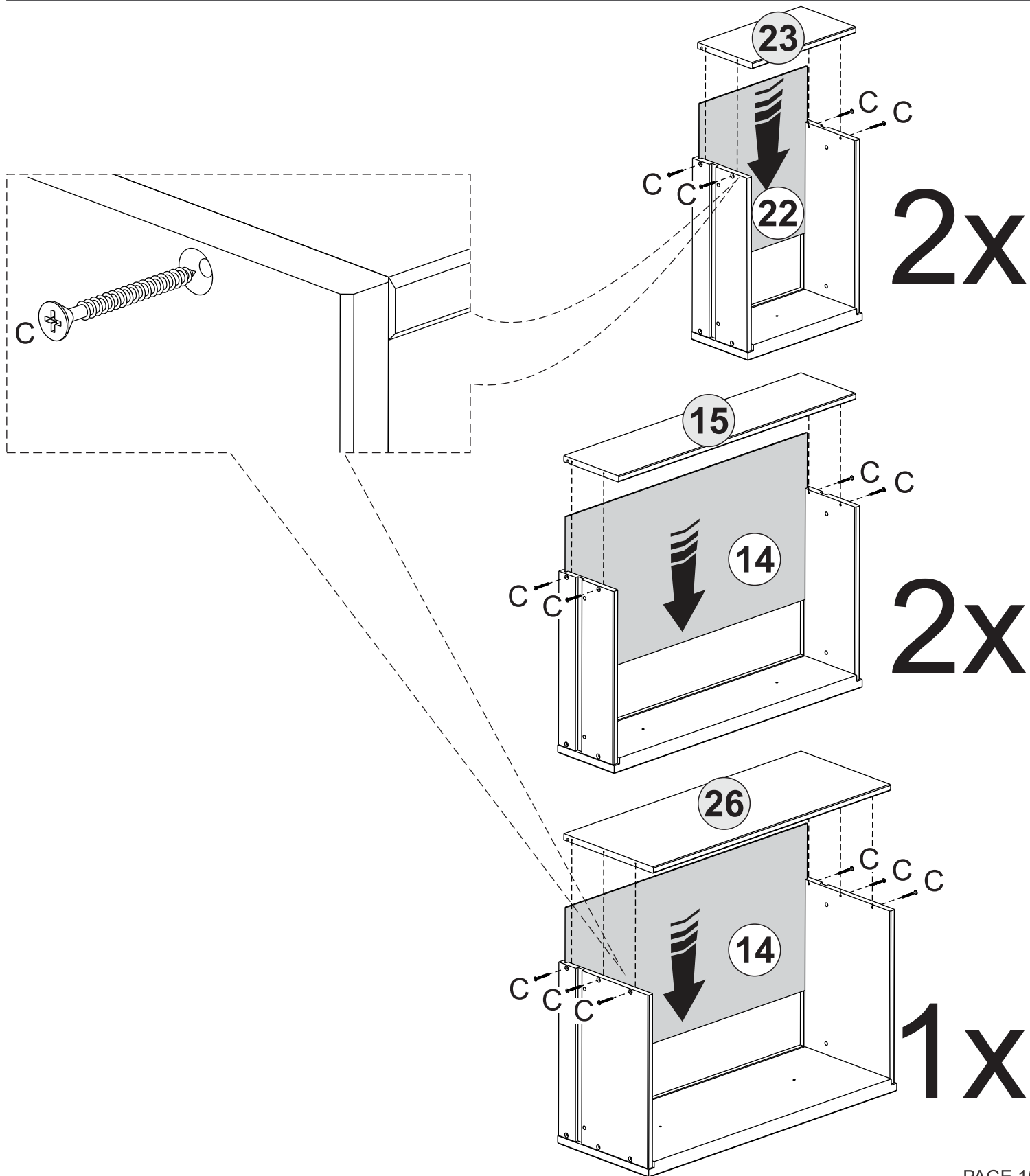
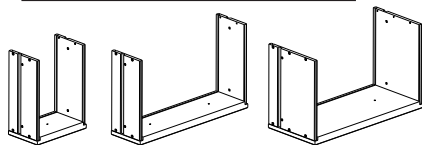
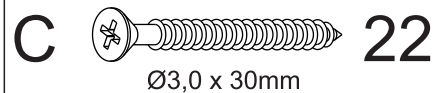
TOOLS REQUIRED



PARTS REQUIRED

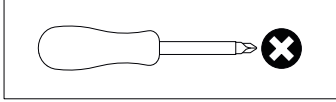
- 14 - DRAWER BOTTOM **x3**
- 15 - MEDIUM DRAWER BACK **x2**
- 22 - SMALL DRAWER BOTTOM **x2**
- 23 - SMALL DRAWER BACK **x2**
- 26 - LARGE DRAWER BACK **x1**

HARDWARE REQUIRED

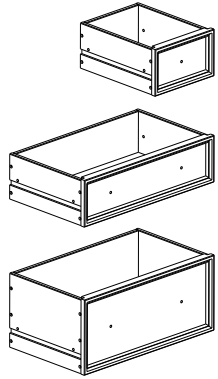


STEP 11

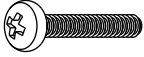
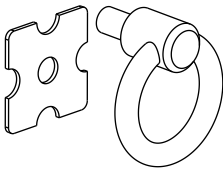
TOOLS REQUIRED

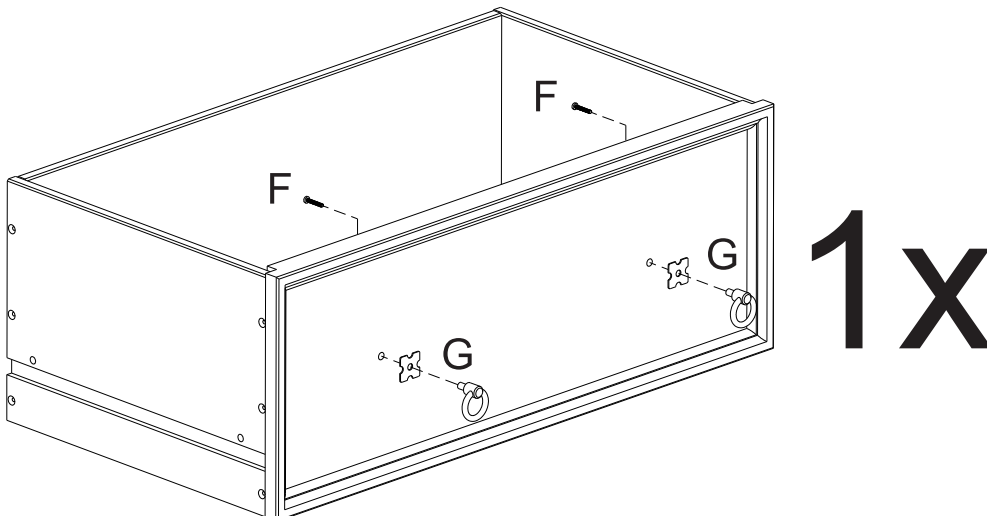
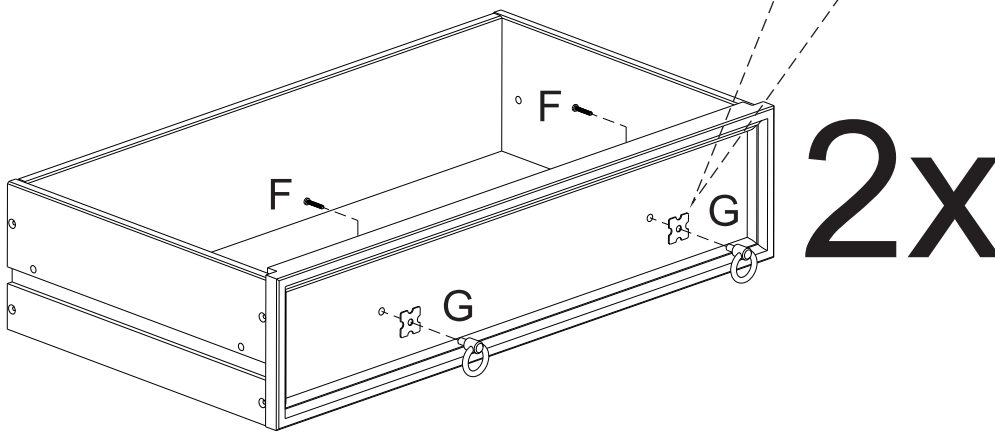
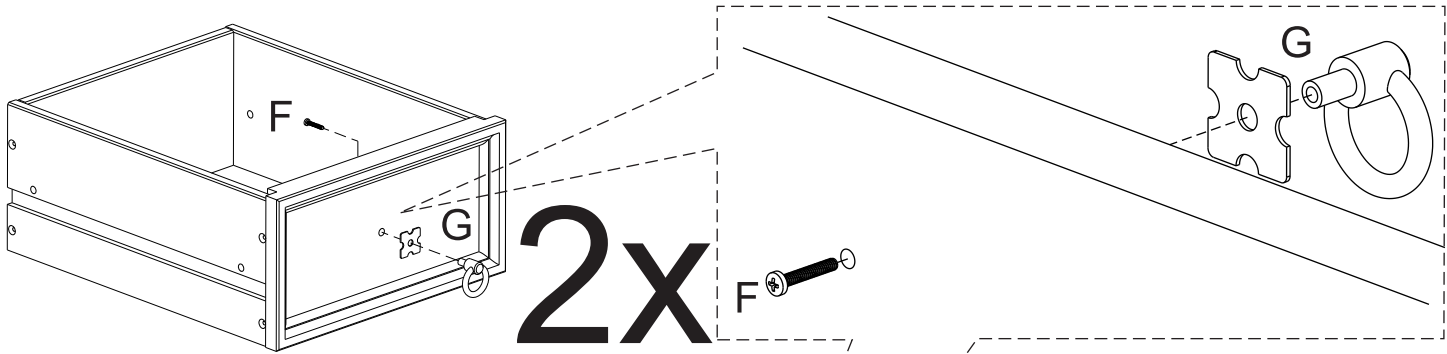


PARTS REQUIRED



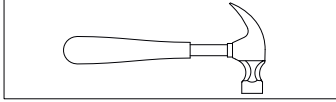
HARDWARE REQUIRED

F	 3/16 x 5/8	08
G		08

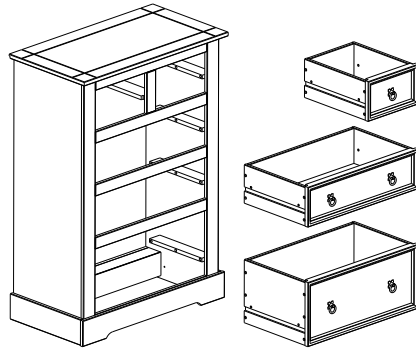


STEP 12

TOOLS REQUIRED



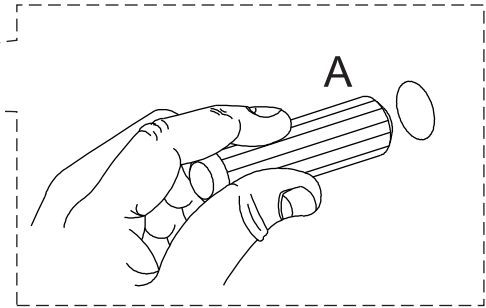
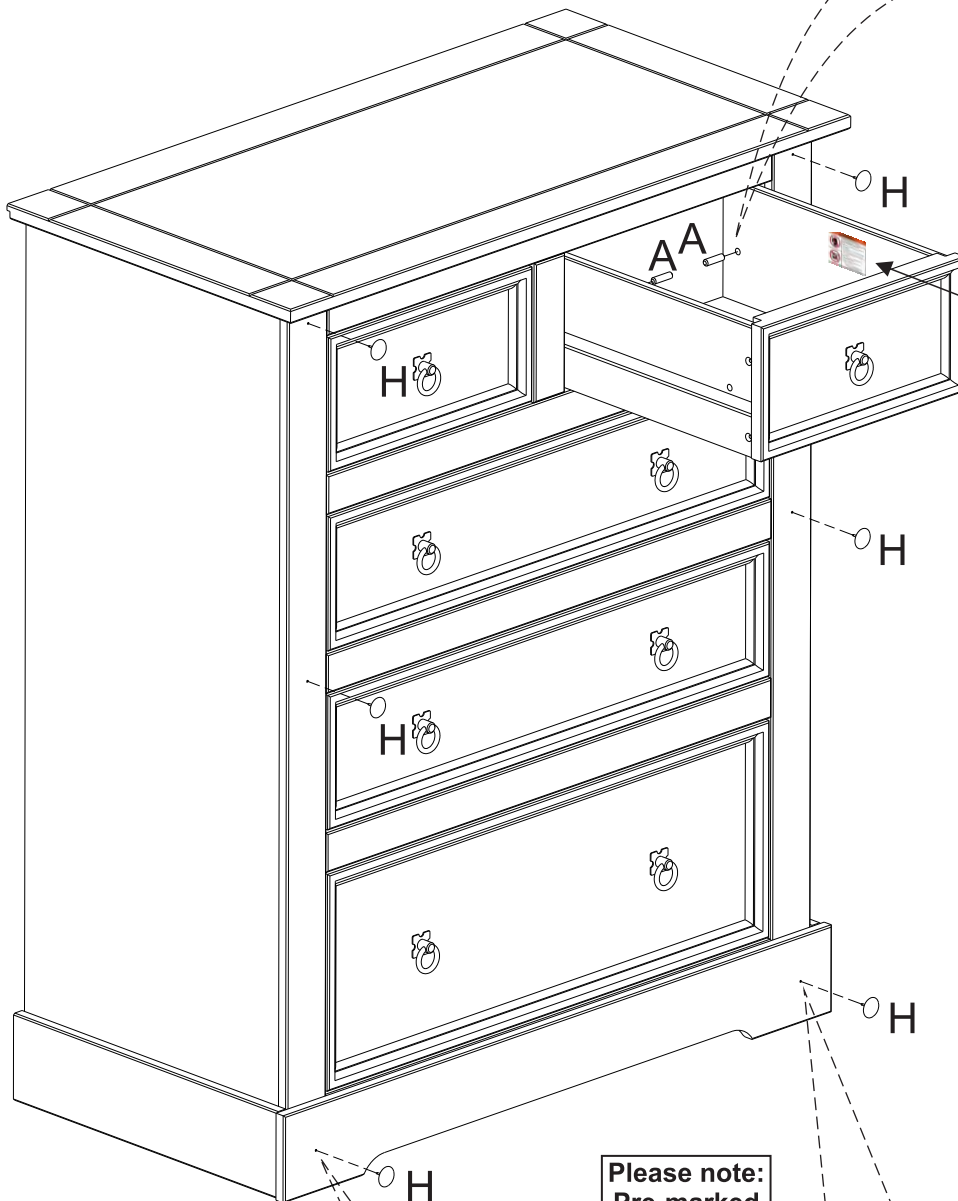
PARTS REQUIRED



HARDWARE REQUIRED

A 10
Ø8 x 30mm

H 06



The assembled drawer with this warning must be placed on top of the unit.

WARNING

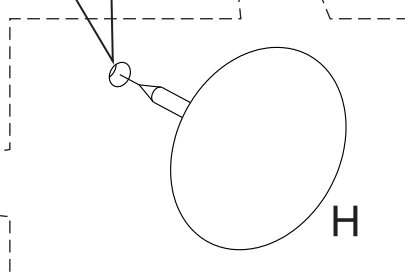
Children have died from furniture tipover. To reduce the risk of furniture tipover:

- ALWAYS install tipover restraint provided.
- NEVER put a TV on this product.
- NEVER allow children to stand, climb or hang on drawers, doors, or shelves.
- NEVER open more than one drawer at a time.
- Place heaviest items in the lowest drawers.

This is a permanent label. Do not remove!



Please note:
Pre-marked
Holes

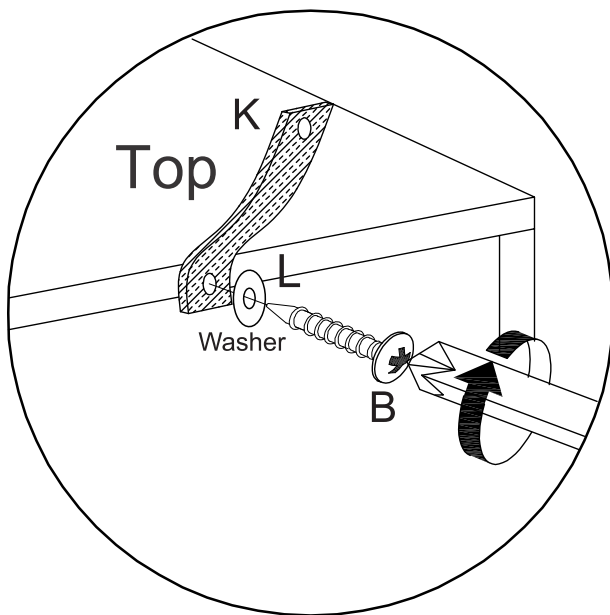



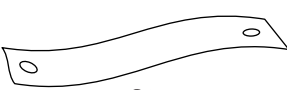

WARNING

Serious or fatal injuries can occur from furniture tipping over. To prevent the furniture from tipping over we recommend that it is permanently fixed to the wall.

Wall fixings are not supplied with this product as different wall materials require different types of fixing devices.

Please make sure you use fixings suitable for the walls in your home.



B		01
Ø3,5 x 30mm		
K		01
Strap		
L		02
Washer		

