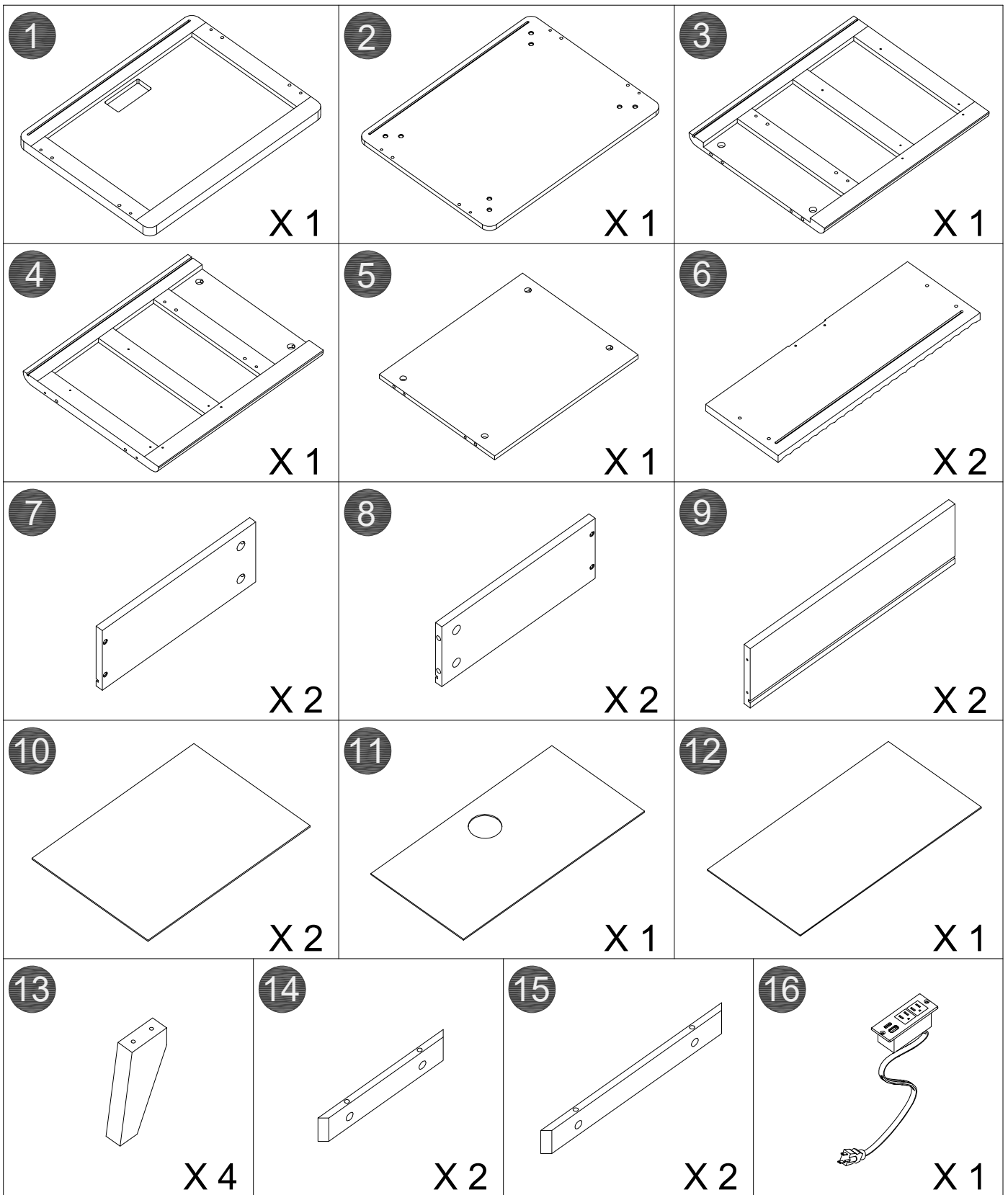
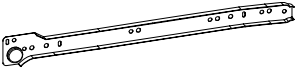
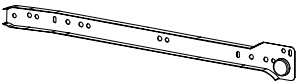
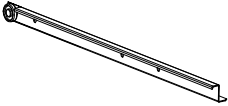
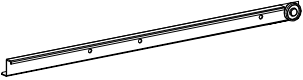
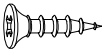
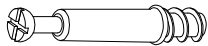




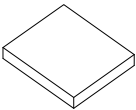
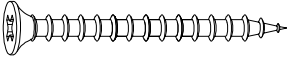
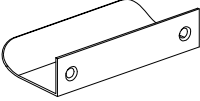
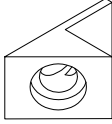

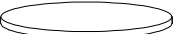
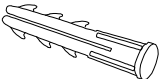
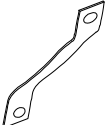


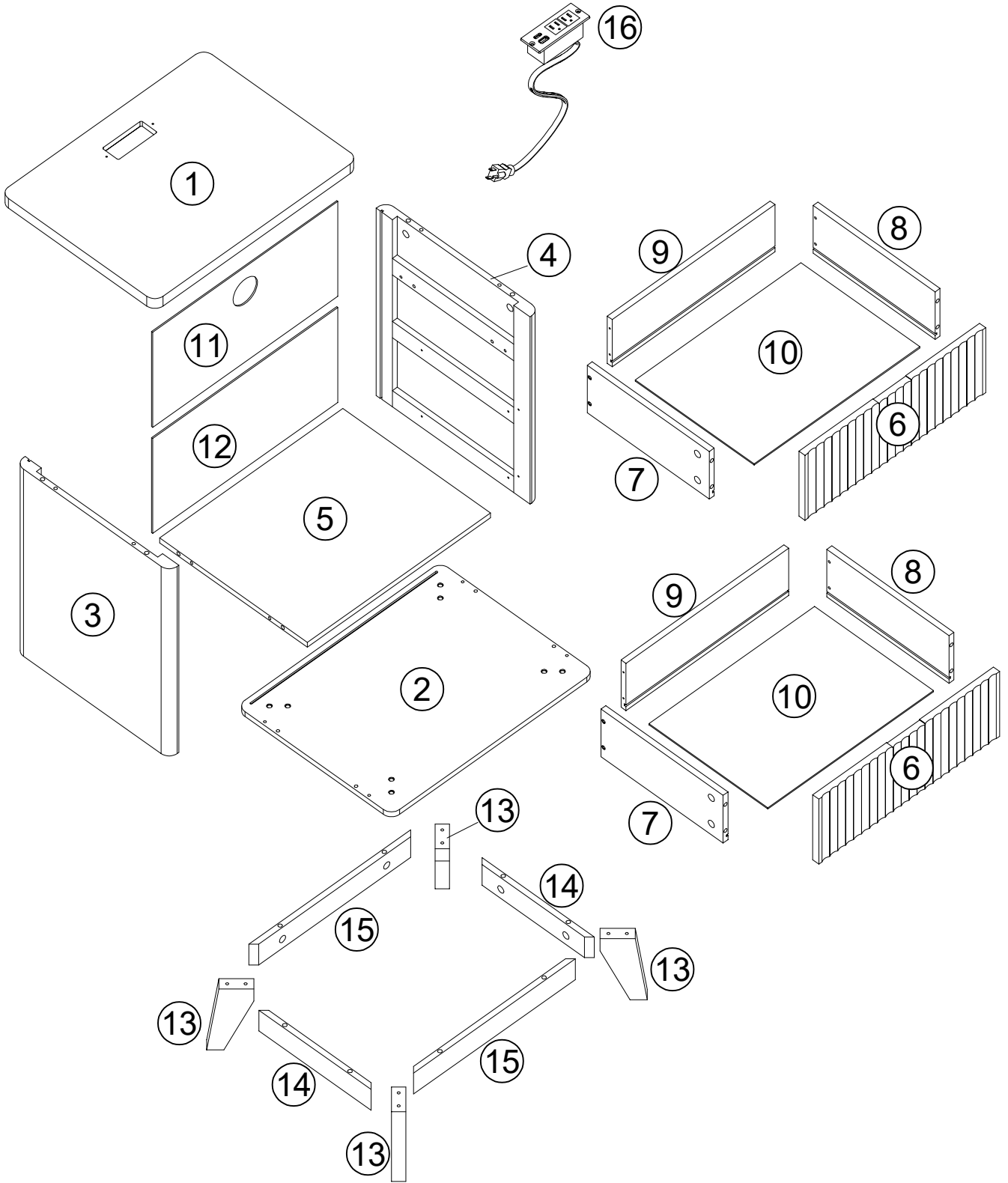
# ASSEMBLY INSTRUCTION

# ASSEMBLY INSTRUCTION

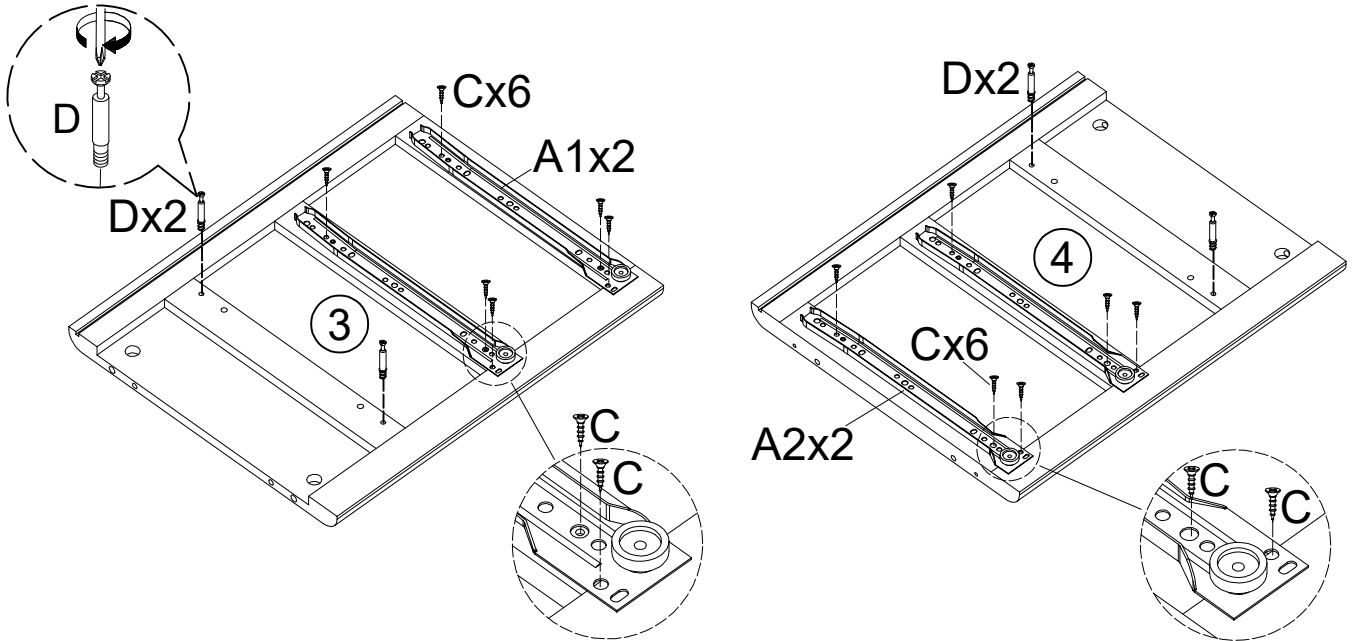
THANKS for buying our products,read it carefully before installation(Attention:Don't tighten the screws before all screws are in place.). If the screws and holes don't match.Pls carefully check whether there is an error or loosen some associated screws to rectify.Thanks for your patience!



<p><b>A1</b> X 2</p> 	<p><b>A2</b> X 2</p> 	<p><b>B1</b> X 2</p> 
<p><b>B2</b> X 2</p> 	<p><b>C</b> X 36</p>  <p>M3.5x12mm</p>	<p><b>D</b> X24</p>  <p>M6x35mm</p>
<p><b>E</b> X 24</p>  <p>Φ15mm</p>	<p><b>F</b> X 12</p>  <p>Φ6x30mm</p>	<p><b>G</b> X 8</p>  <p>M7x50mm</p>
<p><b>H</b> X 4</p>  <p>M5x40mm</p>	<p><b>I</b> X 4</p>  <p>EVA</p>	<p><b>J</b> X10</p>  <p>M4x40mm</p>
<p><b>K</b> X 2</p> 	<p><b>L</b> X 8</p> 	<p><b>M</b> X 1</p>  <p>4#</p>
<p><b>N</b> X 20</p>  <p>Ø20mm</p>	<p><b>O</b> X 2</p> 	<p><b>P</b> X 2</p> 



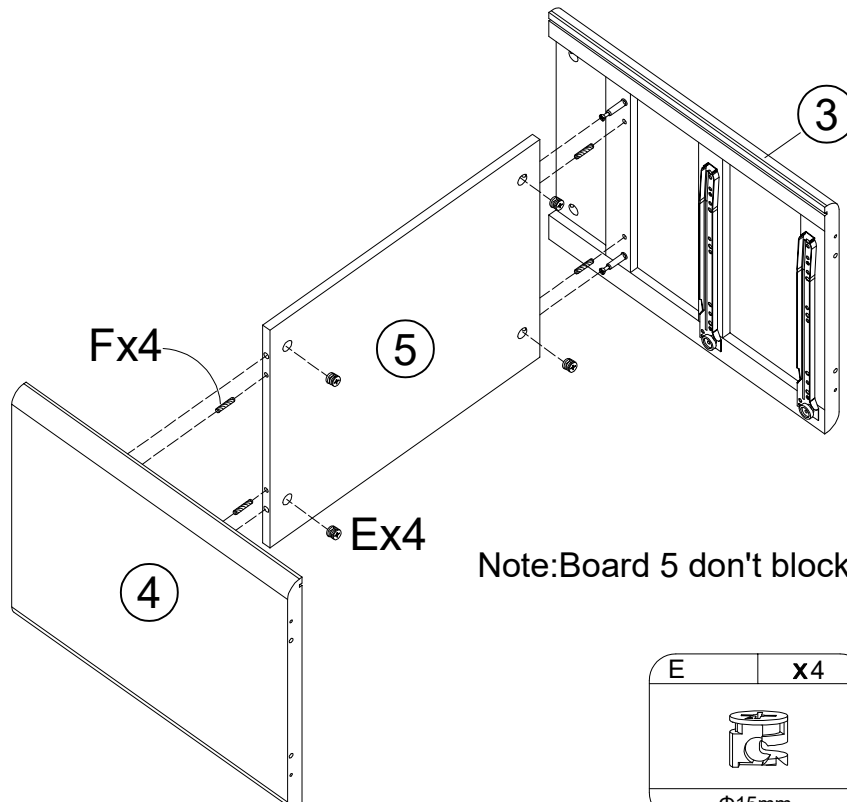
## STEP 1



The holes on the 3&4 board are tun nail holes for adding stability.

A1	x2	A2	x2	D	x4	C	x12
				M6x35mm		M3.5x12mm	

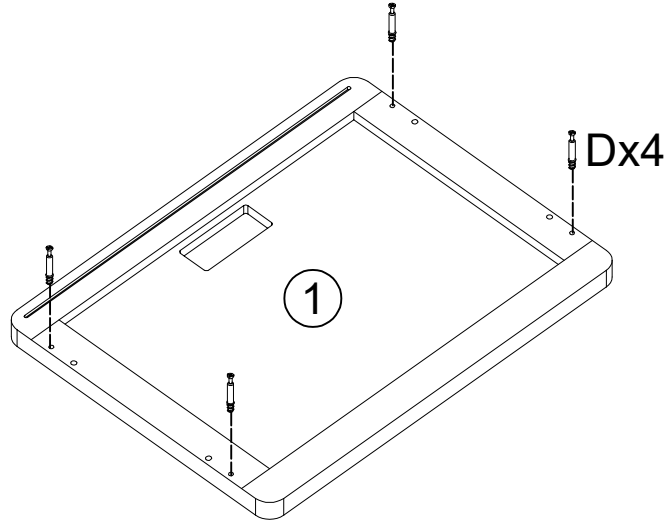
## STEP 2



Note: Board 5 don't block the groove.

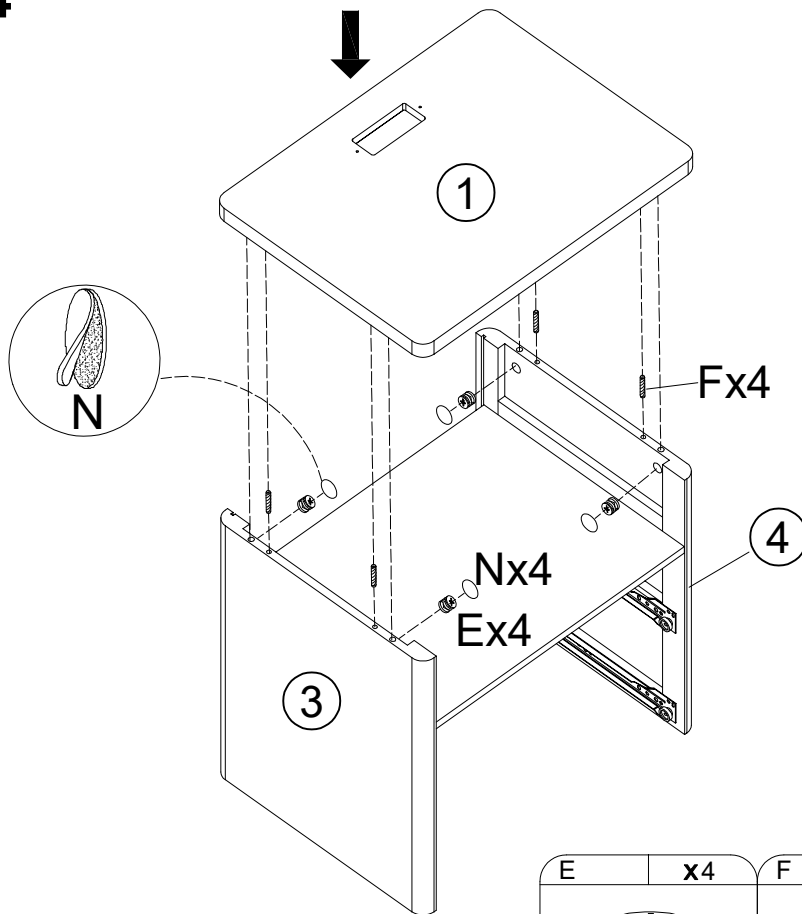
E	x4	F	x4
Φ15mm		Φ6x30mm	

### STEP 3



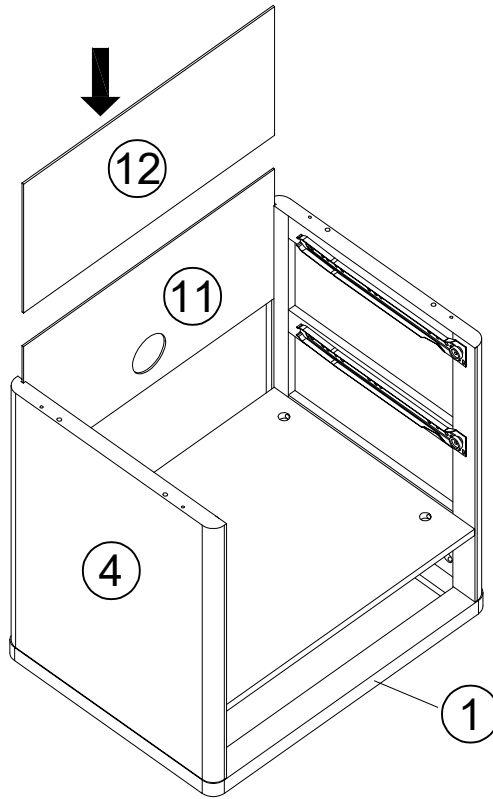
D	x4
M6x35mm	

### STEP 4

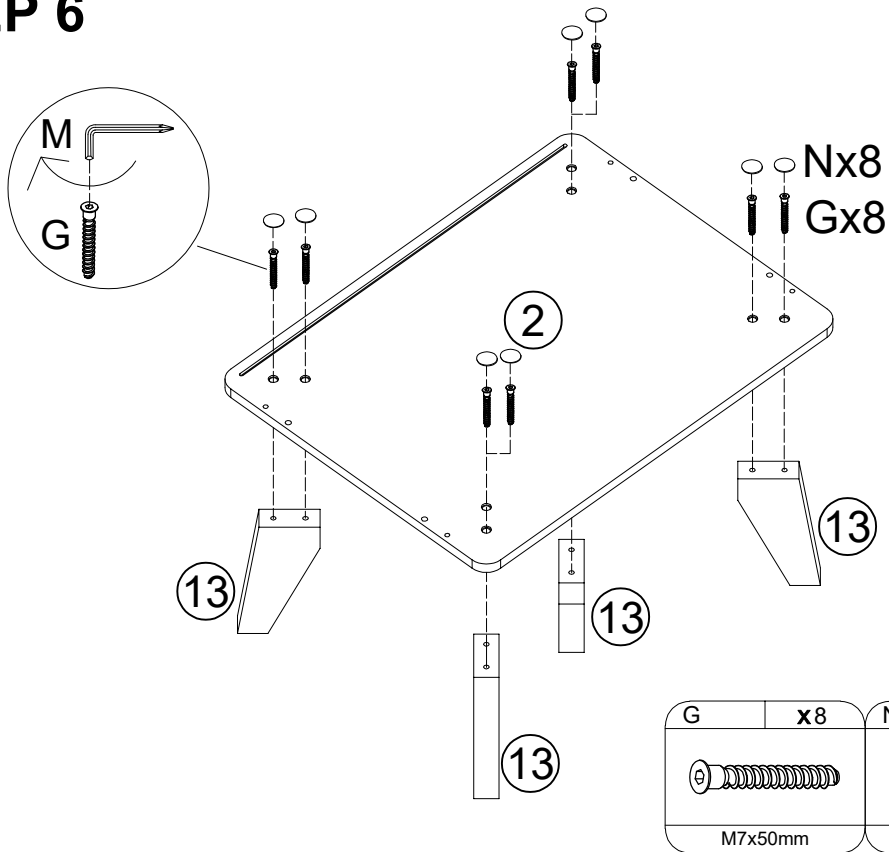


E	x4	F	x4	N	x4
Φ15mm		Φ6x30mm		Φ20mm	

**STEP 5**

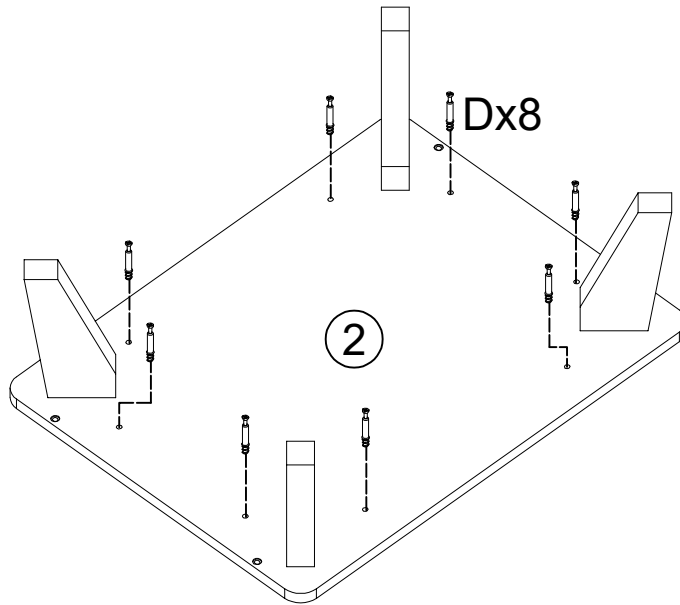


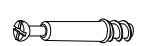
**STEP 6**



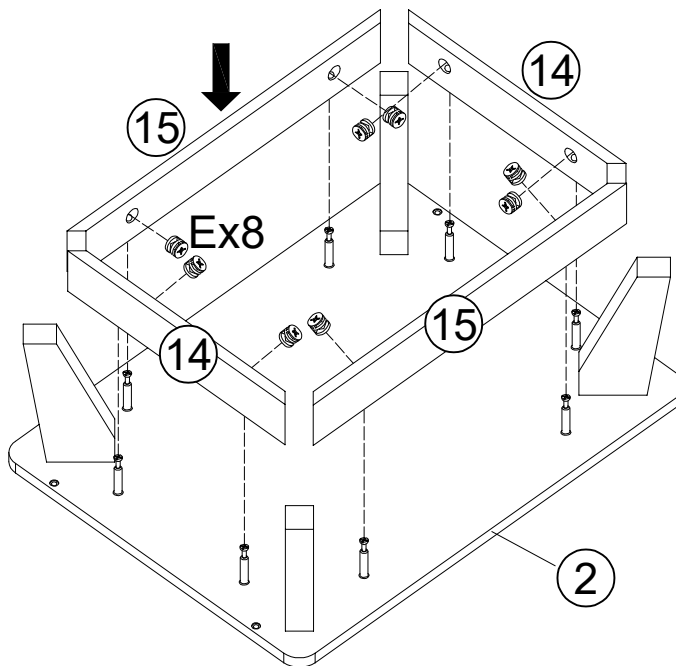
G	x8	N	x8	M	x1
M7x50mm		Ø20mm		4#	


### STEP 7



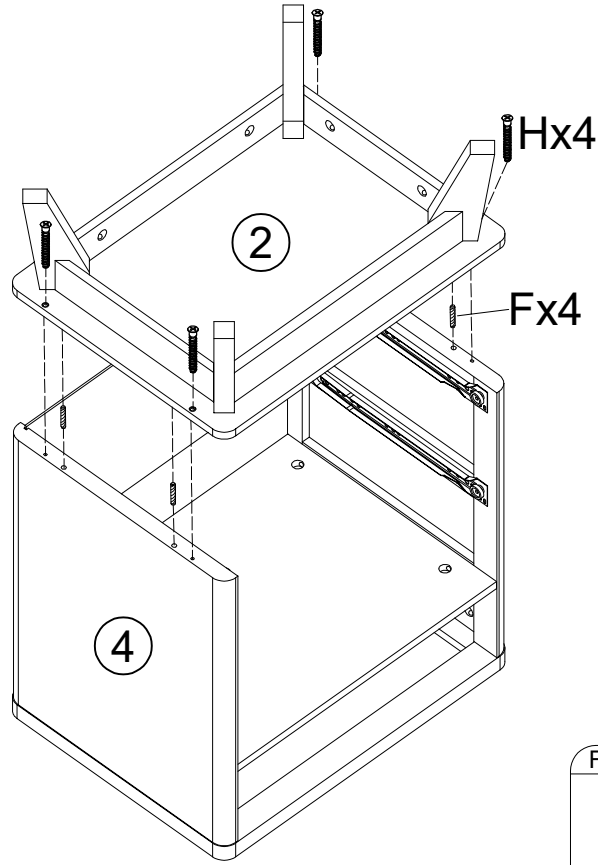
D	x8
	
M6x35mm	

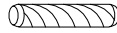

### STEP 8



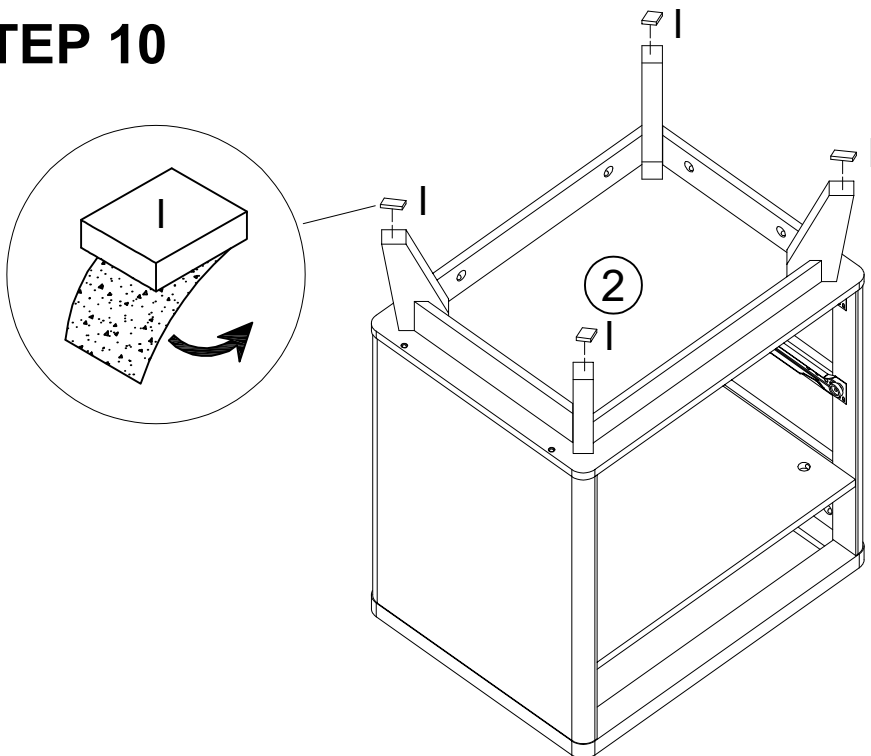
E	x8
	
Φ15mm	

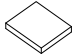
### STEP 9



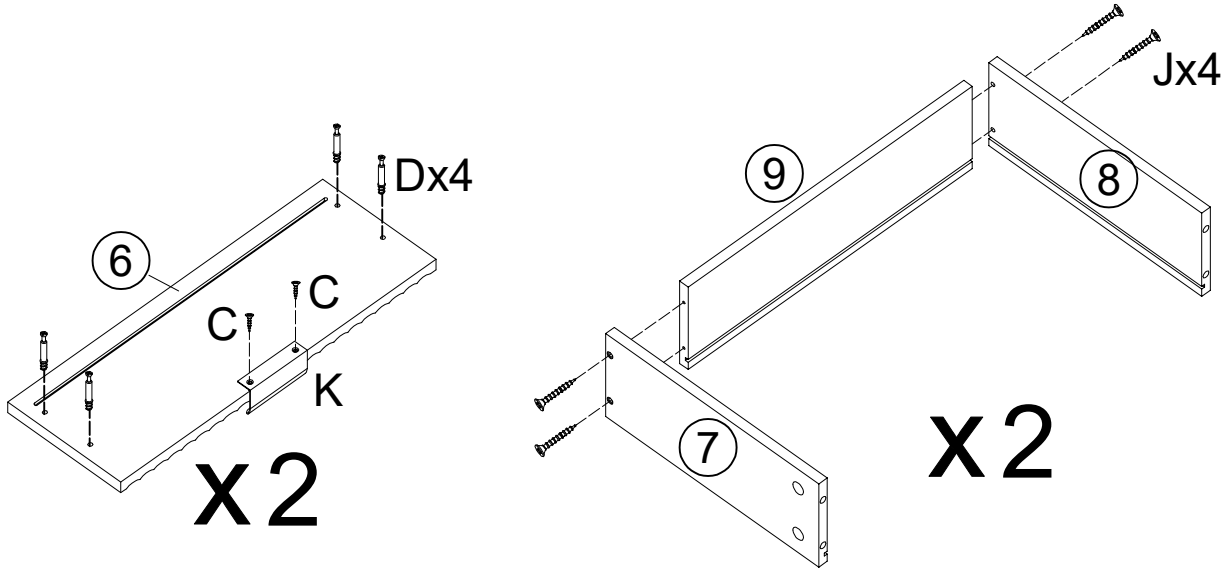
F	x4	H	x4
			
Φ6x30mm		M5x40mm	

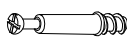
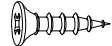
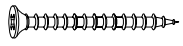
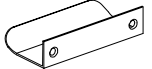
### STEP 10



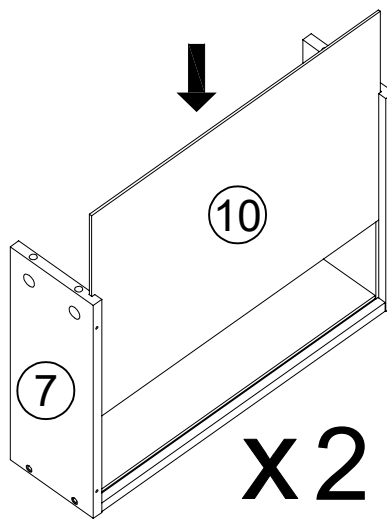
I	x4
	
EVA	

**STEP 11**

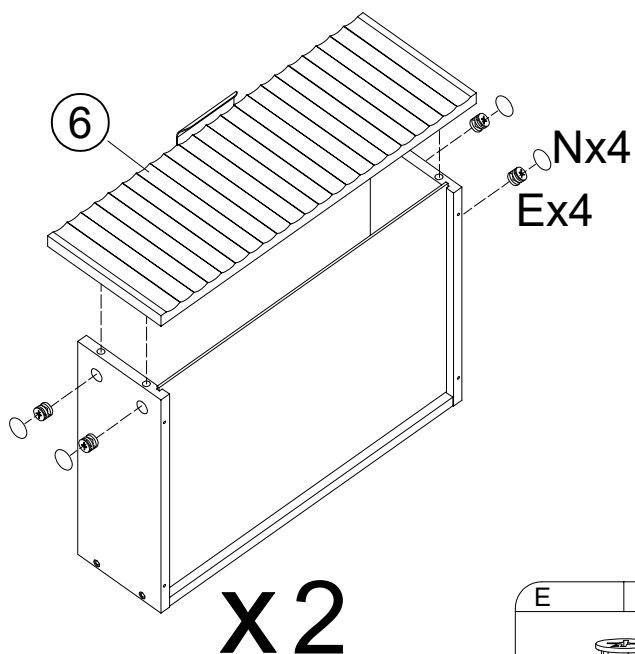




D	x8	C	x4	J	x8	K	x2
							
M6x35mm		M3.5x12mm		M4x40mm			

**STEP 12**

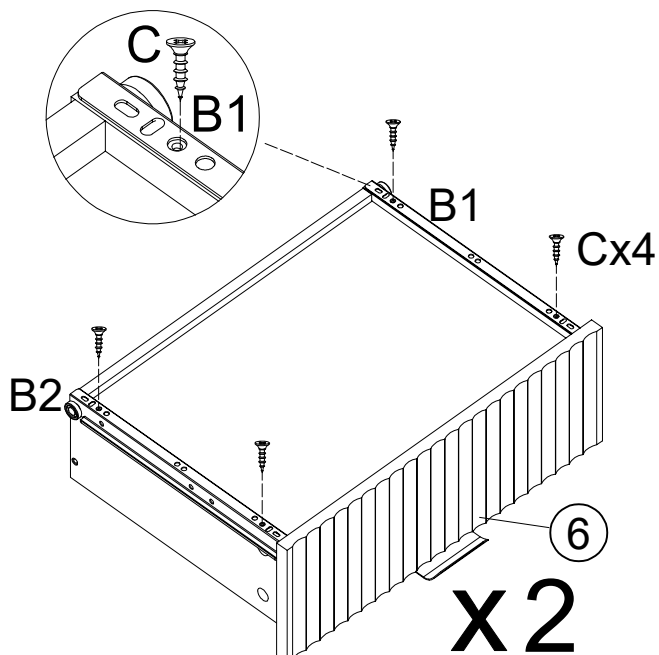


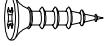


## STEP 13



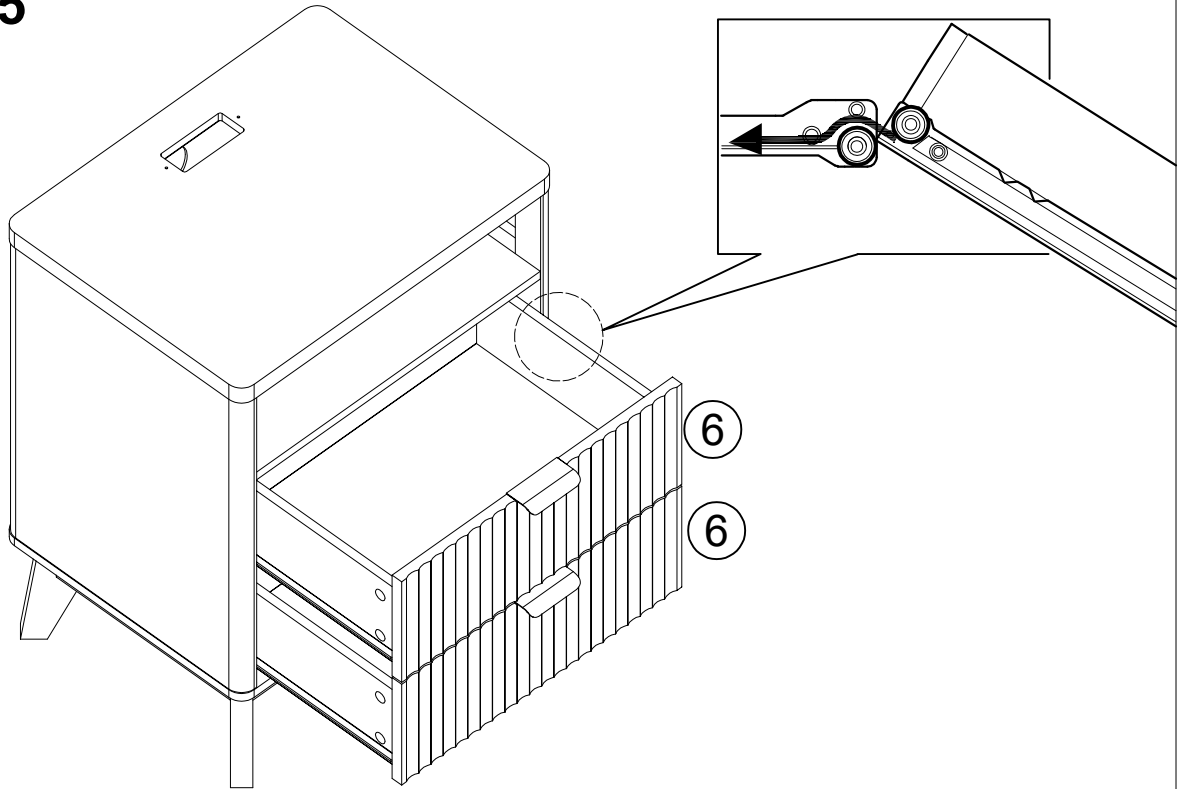
E	x8	N	x8
			
Φ15mm		Φ20mm	

## STEP 14

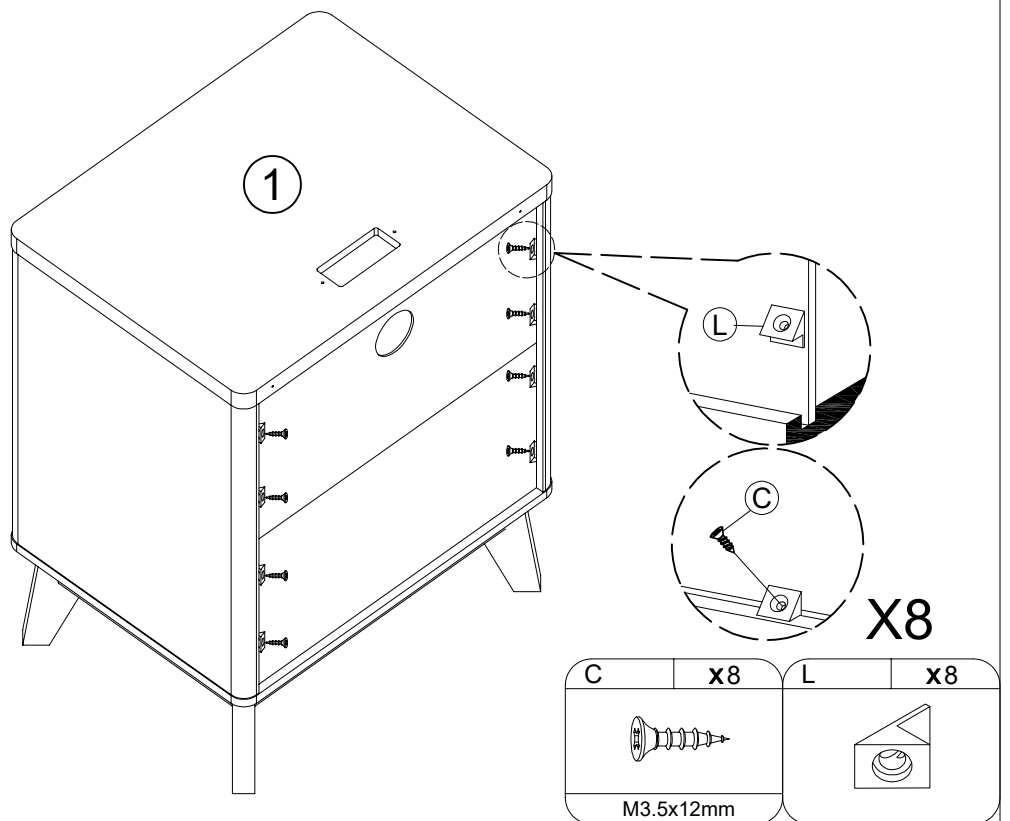


C	x8	B1	x2	B2	x2
					
M3.5x12mm					

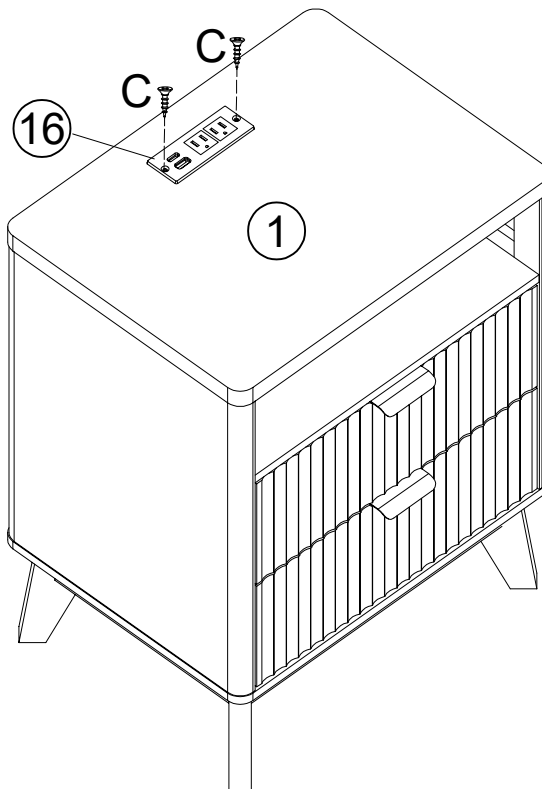
**STEP 15**

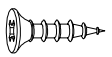


**STEP 16**

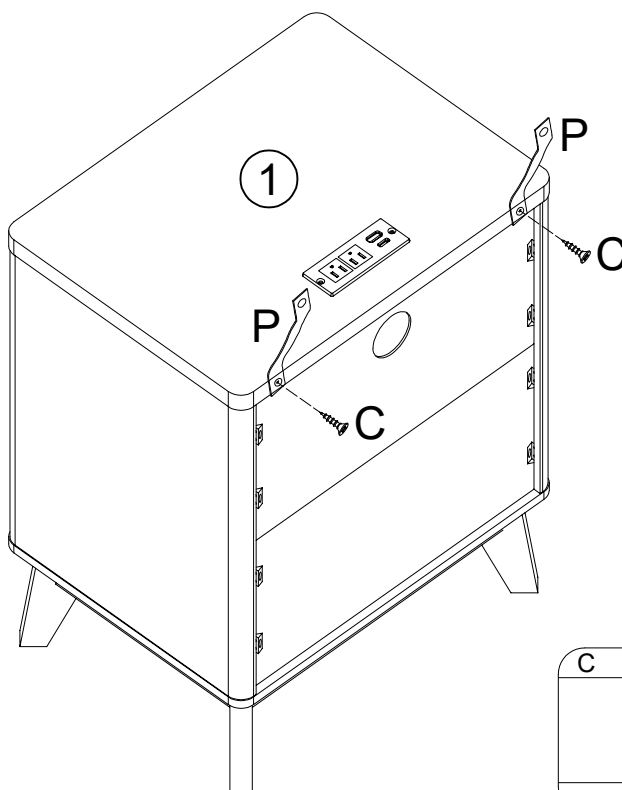


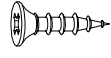

STEP 17



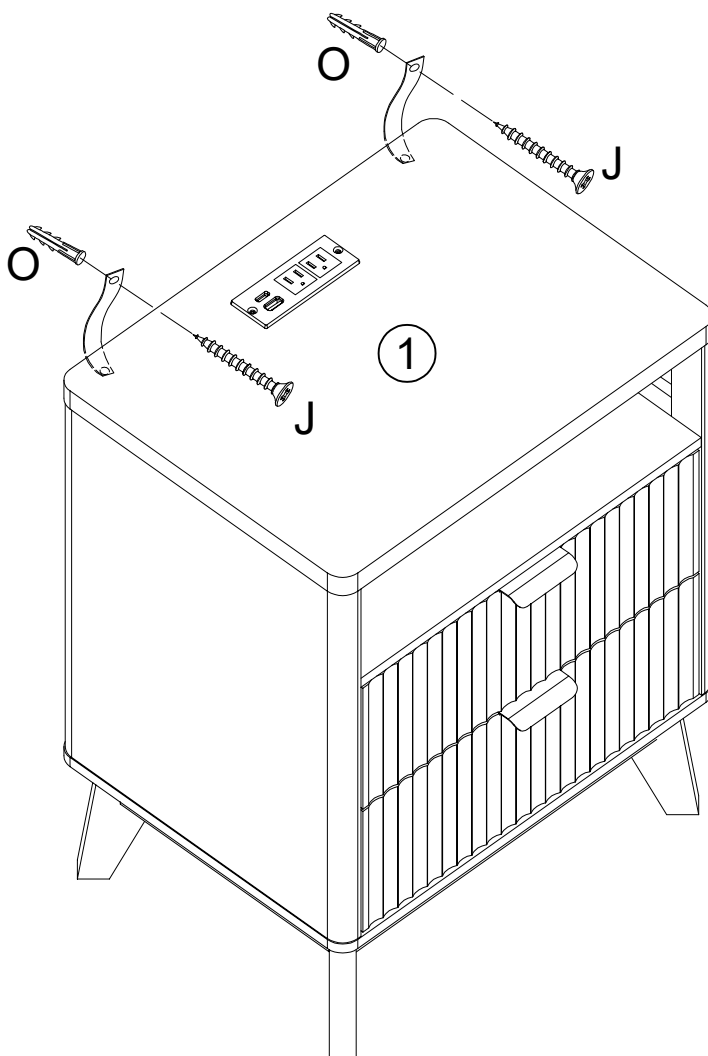
C	x2
	
M3.5x12mm	

STEP 18



C	x2	P	x2
			
M3.5x12mm			

STEP 19



O	x2	J	x2
