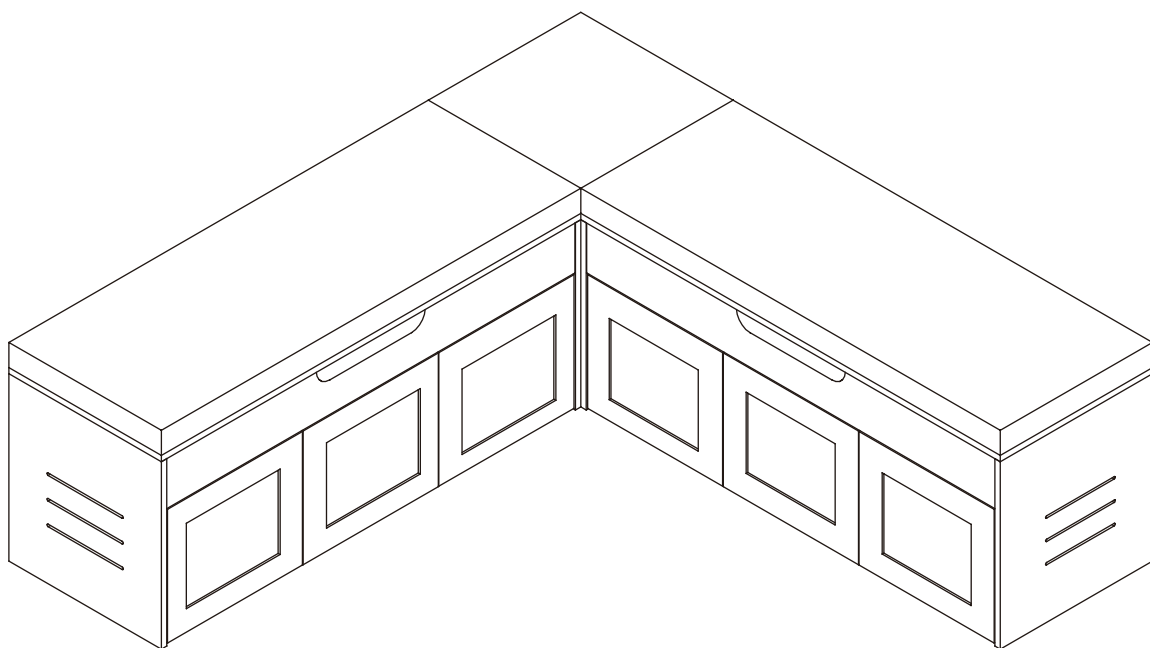


# ASSEMBLY INSTRUCTIONS



1.Thank you for choosing our products.

2.Return Policy



**DO NOT RETURN TO THE STORE!** Avoid the hassle of returning your product by contacting us directly for a replacement.

If you find that parts of your order are missing or damaged, we will gladly ship any needed replacement parts free of charge.

If your product's quality does not meet your expectations or you have found any sort of defect, Contact our customer service department with your order details and any issues you've encountered.

We will do our best to provide a solution.Feel free to also directly contact our manufacturer concerning needed replacement parts and they will be happy to help provide you with a solution or answer any questions you may have.

### Assembly Recommendations



Read instructions, cover to cover



Have 2-4 adults on hand for assembly depending on product size



Do not assemble directly on flooring or carpet



Assemble on a clean non-marring surface (example: packing foam)



Save all packaging until finished

3. Assembly Notice:

- If you encounter any problems during assembly and find that you cannot continue, rest assured we will help you solve the situation as soon as possible. Simply keep all of the parts of the product stored in a safe place and contact us immediately so we may assist you further.

Once you have opened your package, remove all inner hardware packages and take the parts out. One by one, Lay out the parts neatly in front of you, then refer to the instructions to confirm that no parts are missing.

If any pieces are found missing, please carefully look in the box first, as the hardware packaging might have torn making the hardware spill in the box.

- ☒ Some key parts of your product may be stored and hidden inside of other parts. Please open any zippered or hook & loop storage compartments to remove all parts. (For example: LED lights may be stored in the bottom or middle compartment of the product.)

- ☒ **IMPORTANT:** During setup, **DO NOT FULLY TIGHTEN THE SCREWS AT FIRST.**

Place each screw into its proper hole and use your hand to twist the screw halfway. Twist all the screws halfway to ensure the holes align correctly and the product is level on the ground. When everything seems properly fitted, then tighten the screws. Please strictly follow the order of each step as outlined in the manual to make your installation easier and the product fit better.

- ☒ When you have completed assembly, we suggest you have more than one person to assist you with lifting and placing the product.

## Care & Maintenance



Do not put hot items directly on furniture surface



Do not clean furniture with harsh cleansers or polish



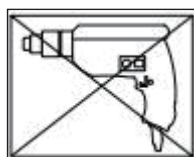
Children should not climb or jump on the furniture



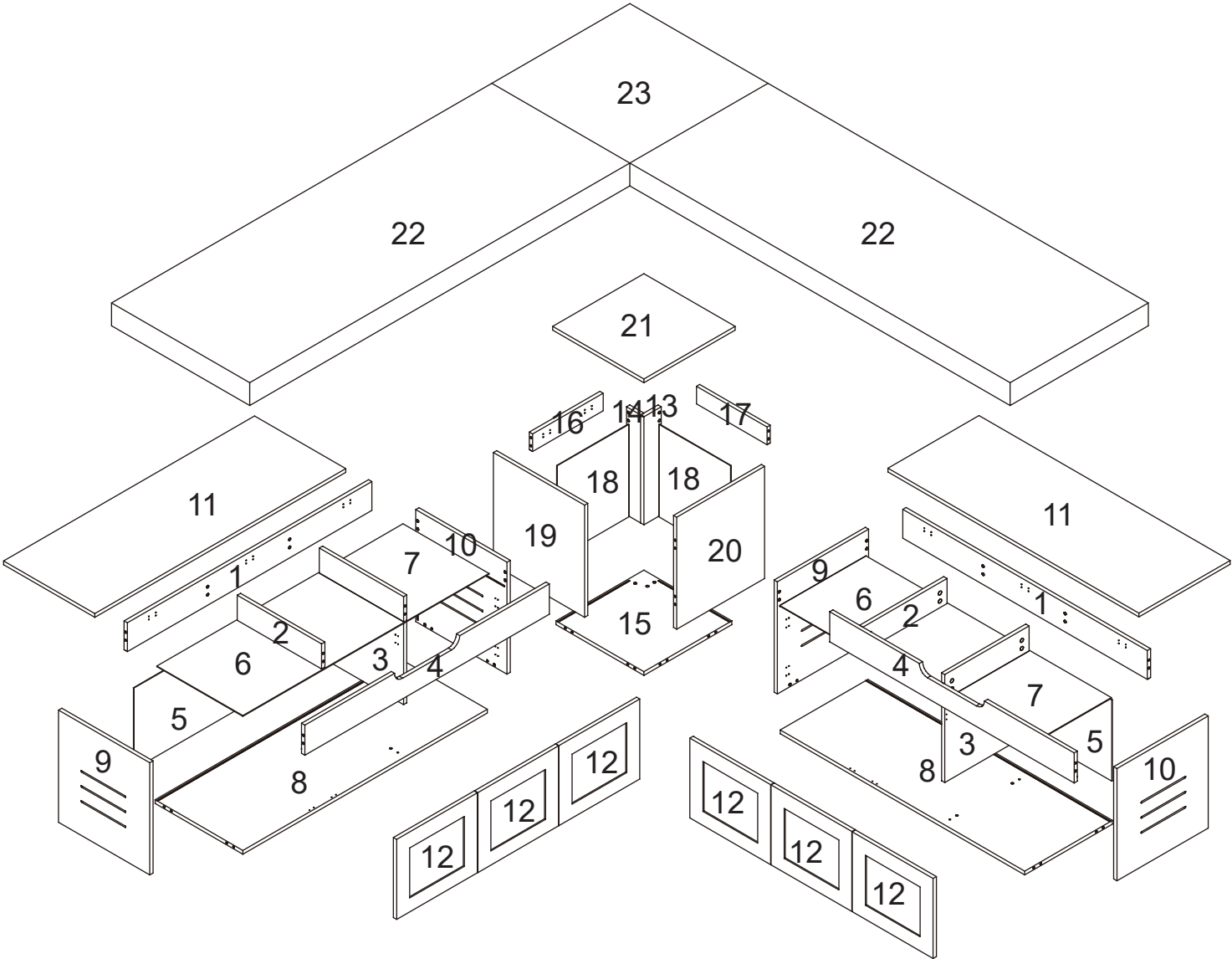
Dust and pick-up spills using a clean, non-colored, lint-free cloth

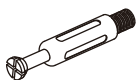

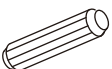

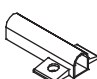

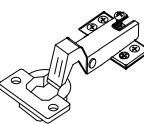
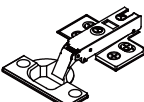
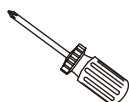



## Caution

- This product contains small components. Please ensure that they are kept away from small children.
- Do not use power tools to assemble your furniture. Power tools may strip or damage the parts.

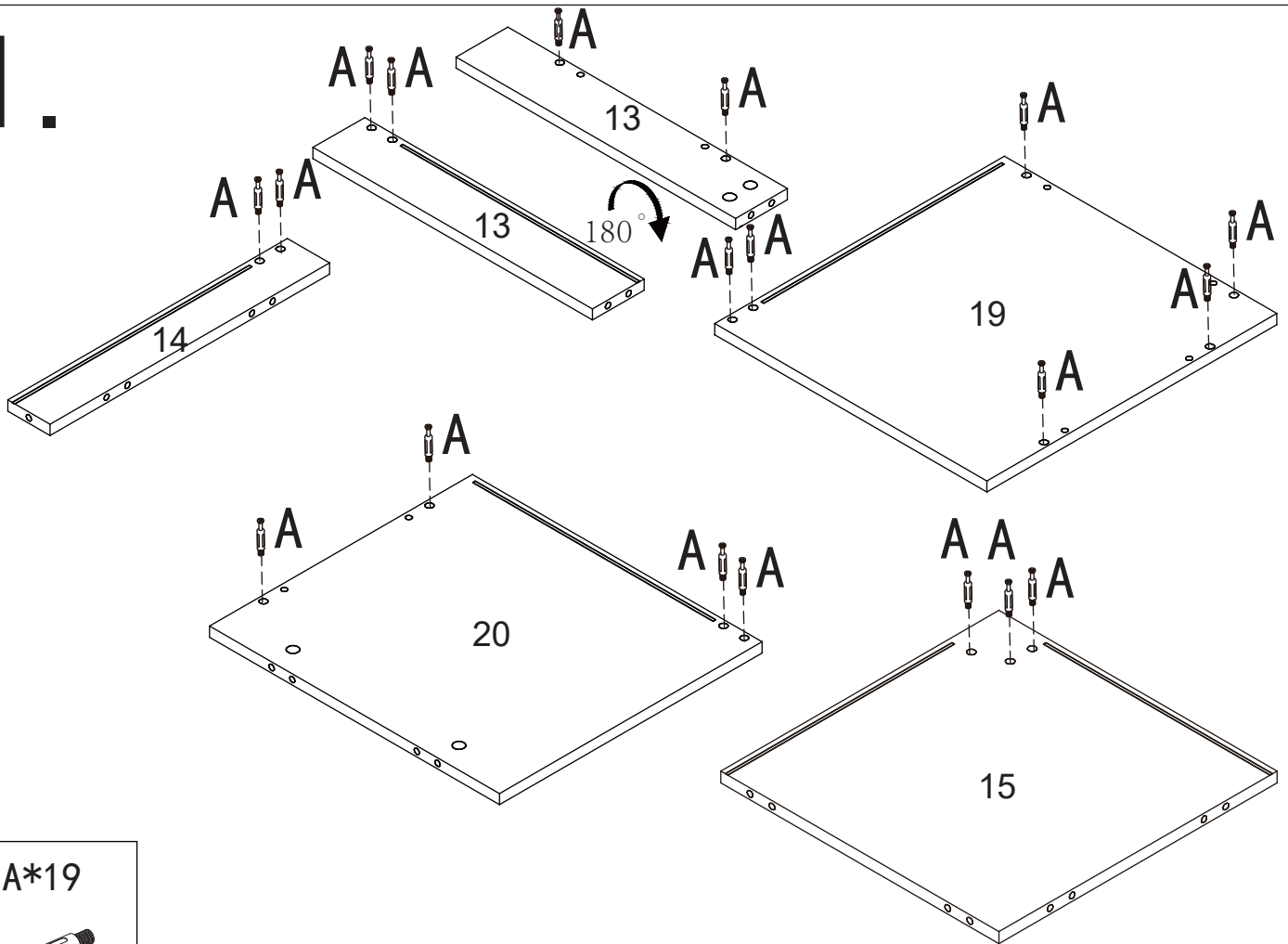


# Assembly Instructions

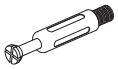


<p>(A)</p>  <p>Cam Bolt x 59+5</p>	<p>(B)</p>  <p>Cam Lock x 59+5</p>	<p>(C)</p>  <p>8*30mm Dowel x 20+2</p>	<p>(D)</p>  <p>5*40mm Screw x 4+1</p>
<p>(E)</p>  <p>Rebound device x 6</p>	<p>(F)</p>  <p>Hinge x 4</p>	<p>(G)</p>  <p>Hinge x 8</p>	<p>(H)</p>  <p>Hinge x 8</p>
<p>(J)</p>  <p>Screwdriver x 1</p>	<p>(K)</p>  <p>3.5*14mm Screw x 136+6</p>	<p>(L)</p>  <p>Back panel buckle x 36+3</p>	<p>(M)</p>  <p>felt x 24+2</p>

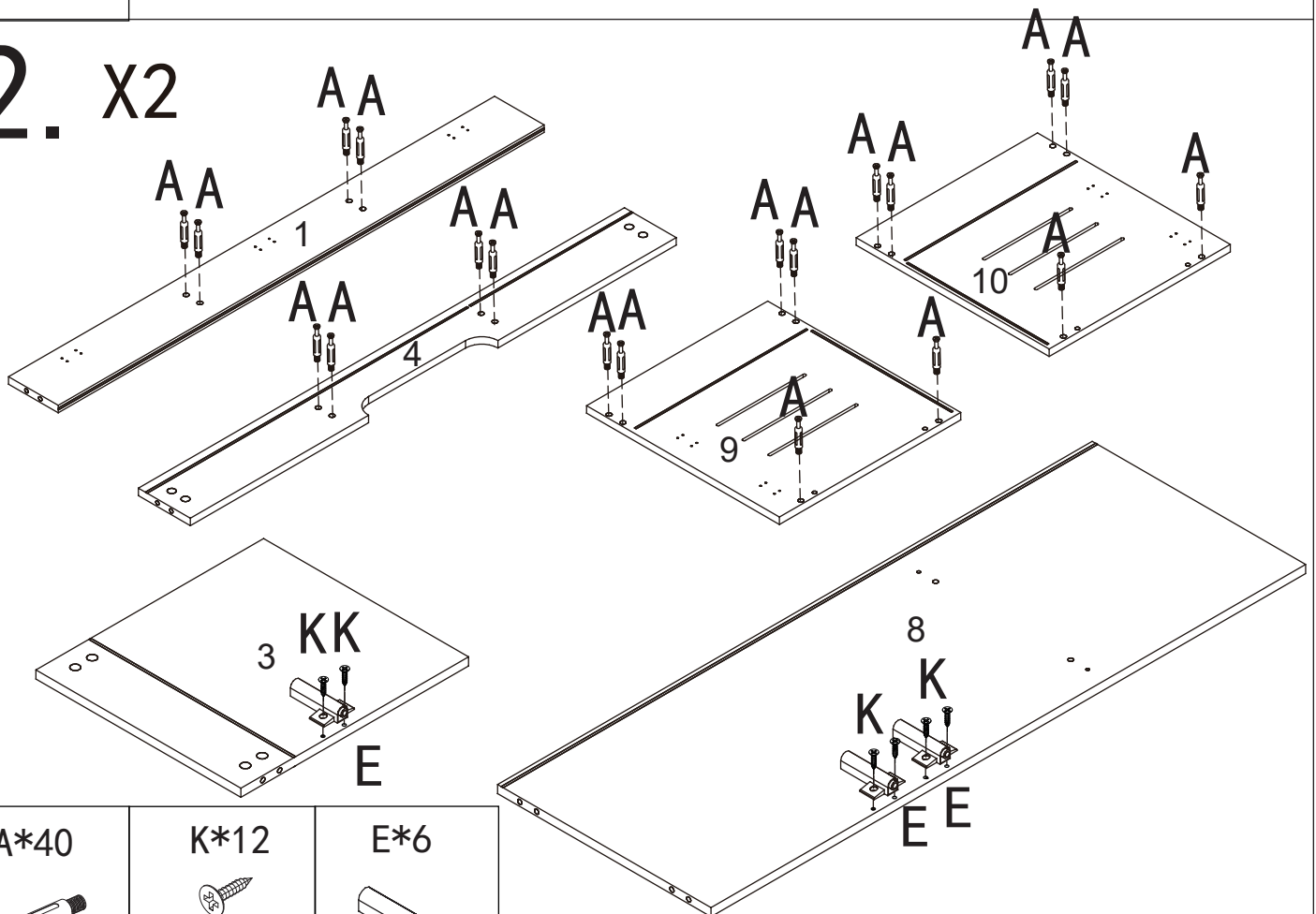
# 1.



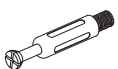
A\*19



# 2. X2



A\*40

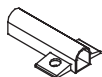


K\*12

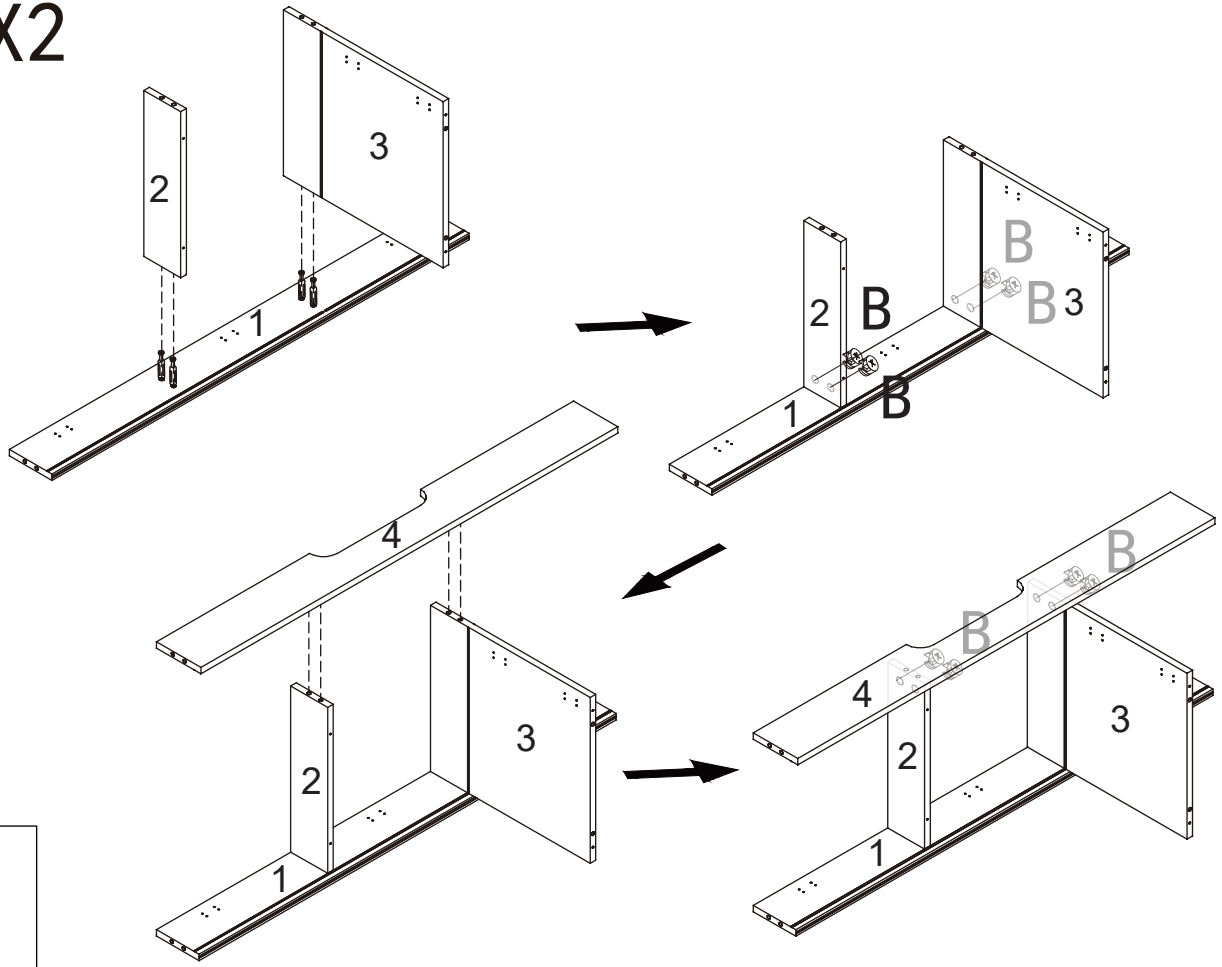


Ø 3.5 x 14 mm

E\*6



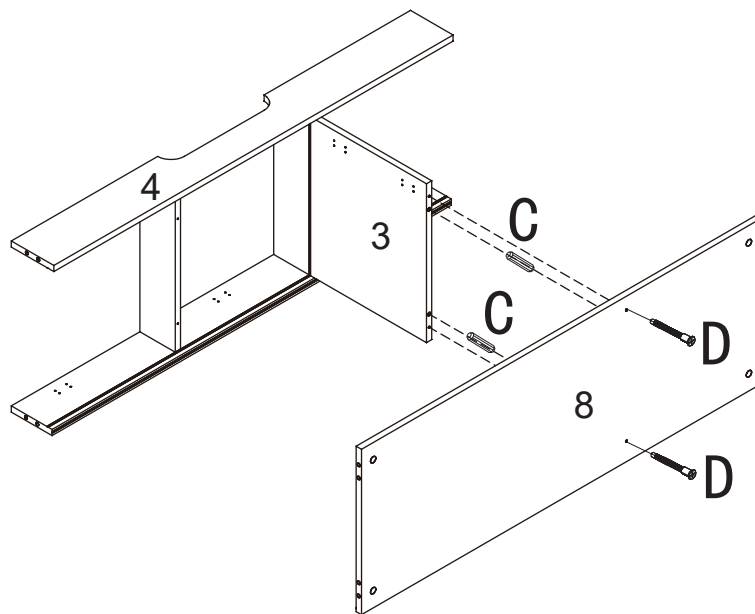
# 3. X2



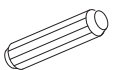
B\*16



# 4. X2



C\*4



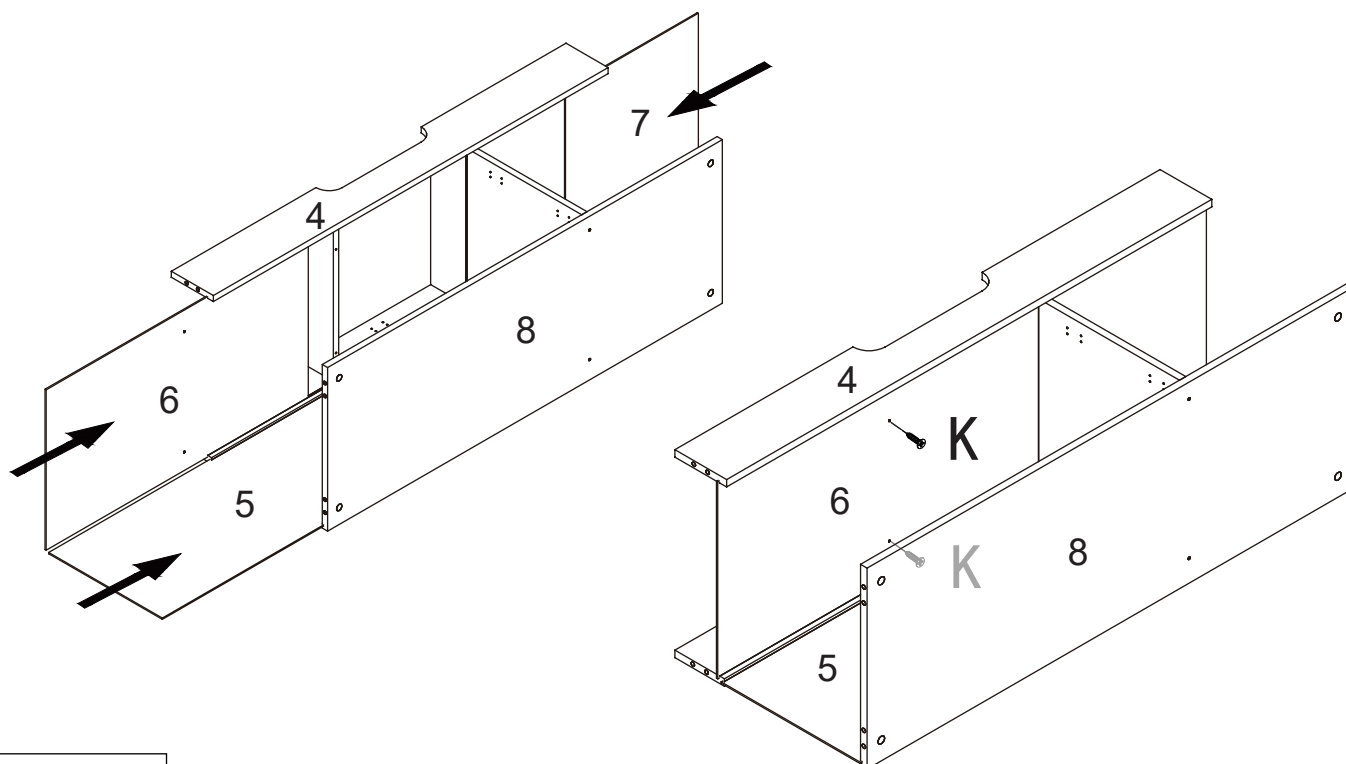
Ø8 x 30 mm

D\*4



Ø5 x 40 mm

# 5. X2

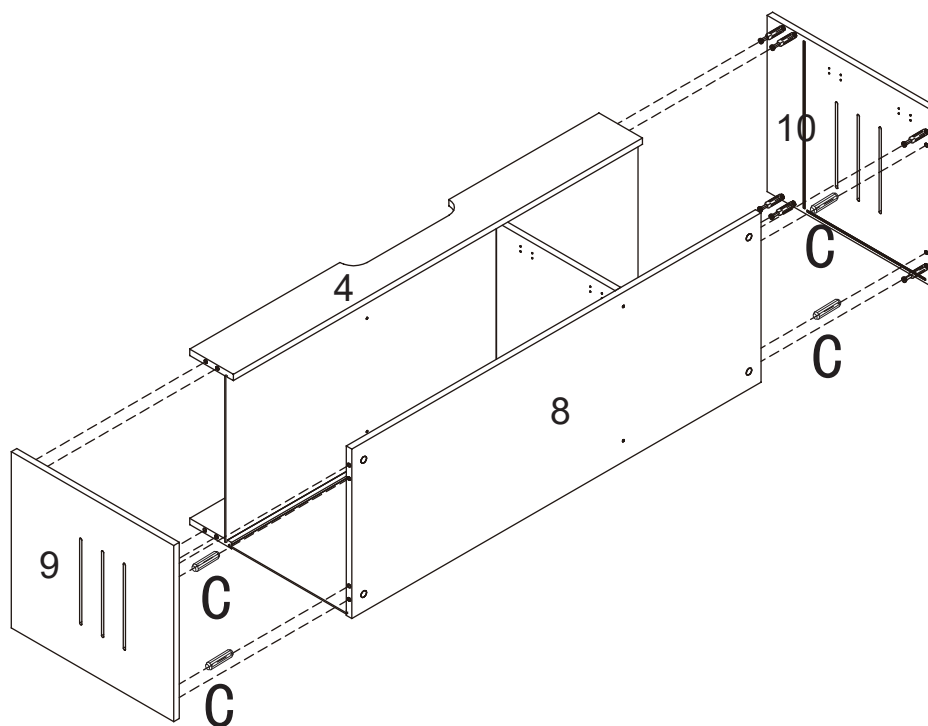


K\*4

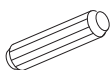


Ø 3.5 x 14 mm

# 6. X2

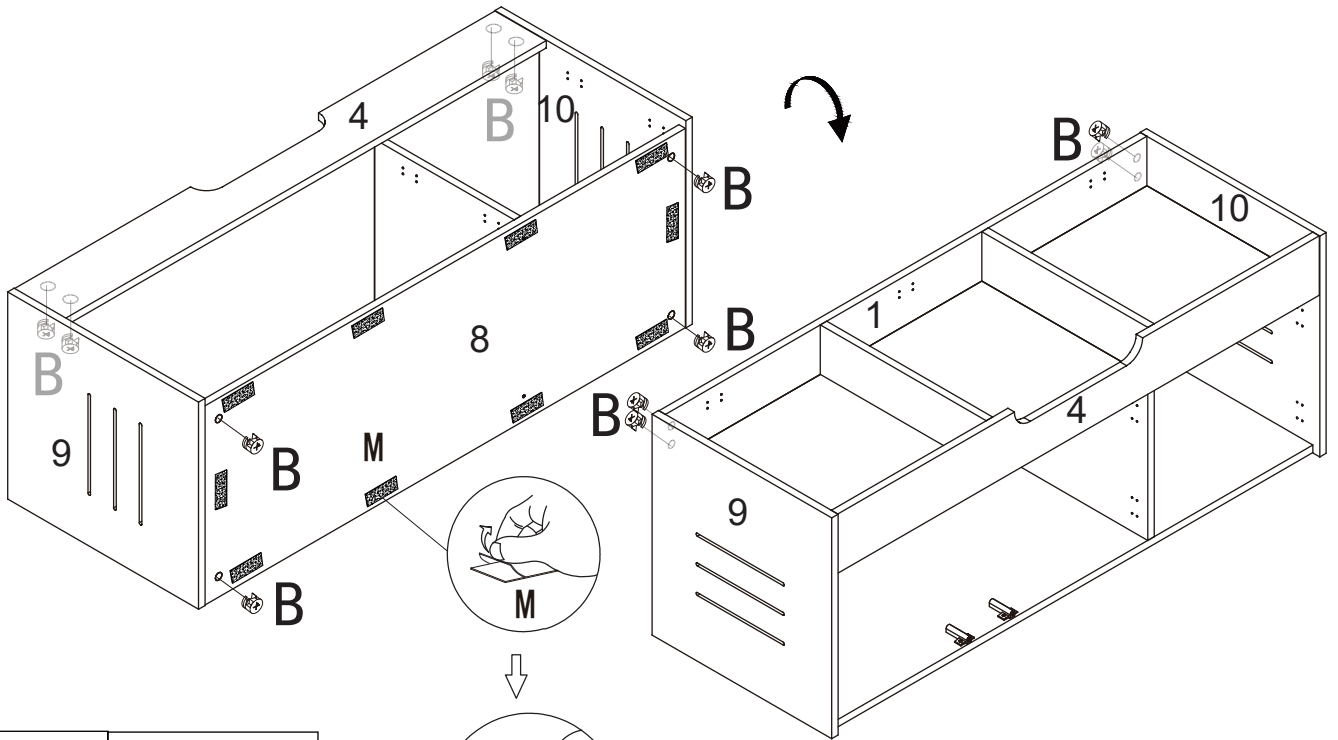


C\*8



Ø 8 x 30 mm

# 7. X2



B\*24

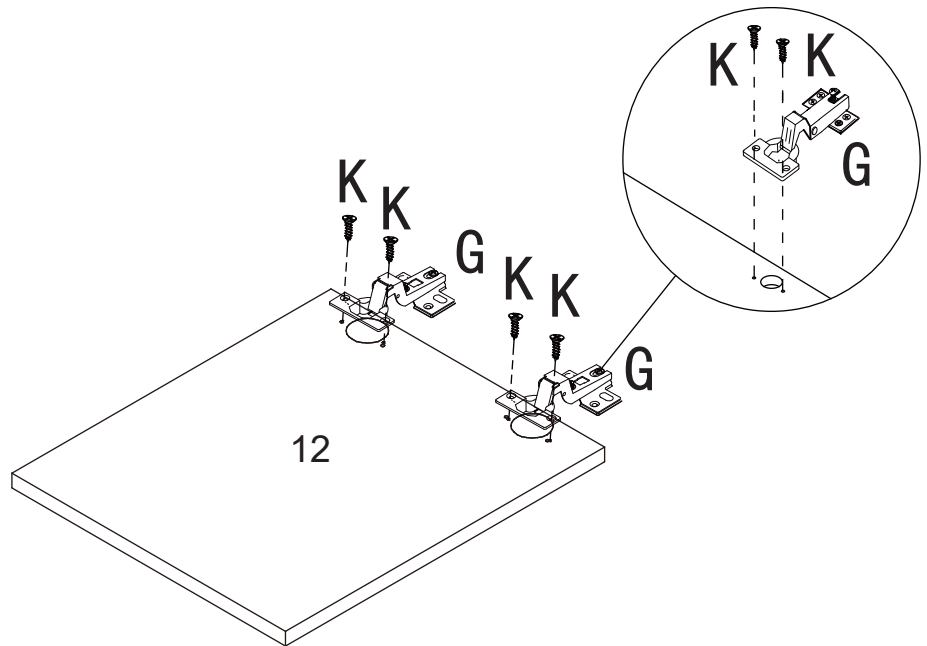


M\*20



M

# 8. X4



K\*16

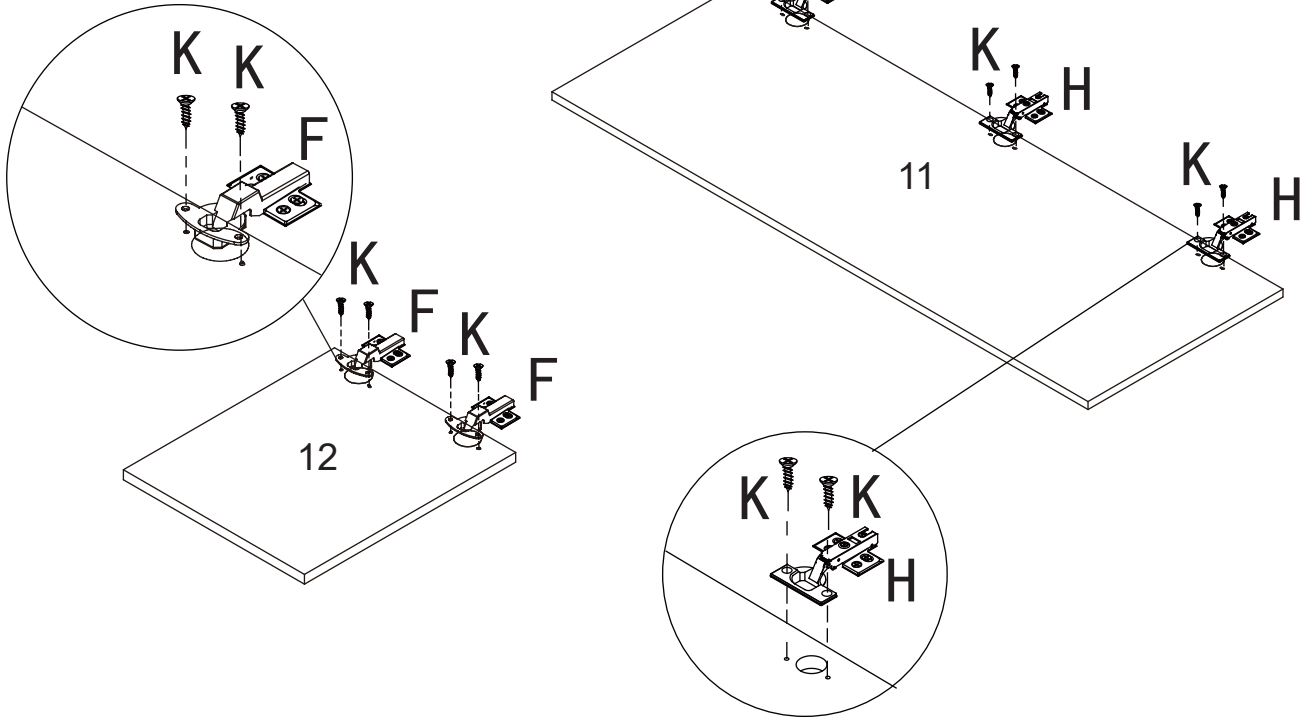


Ø 3.5 x 14 mm

G\*8



# 9. X2

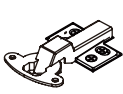


K\*20

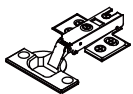


Ø 3.5 x 14 mm

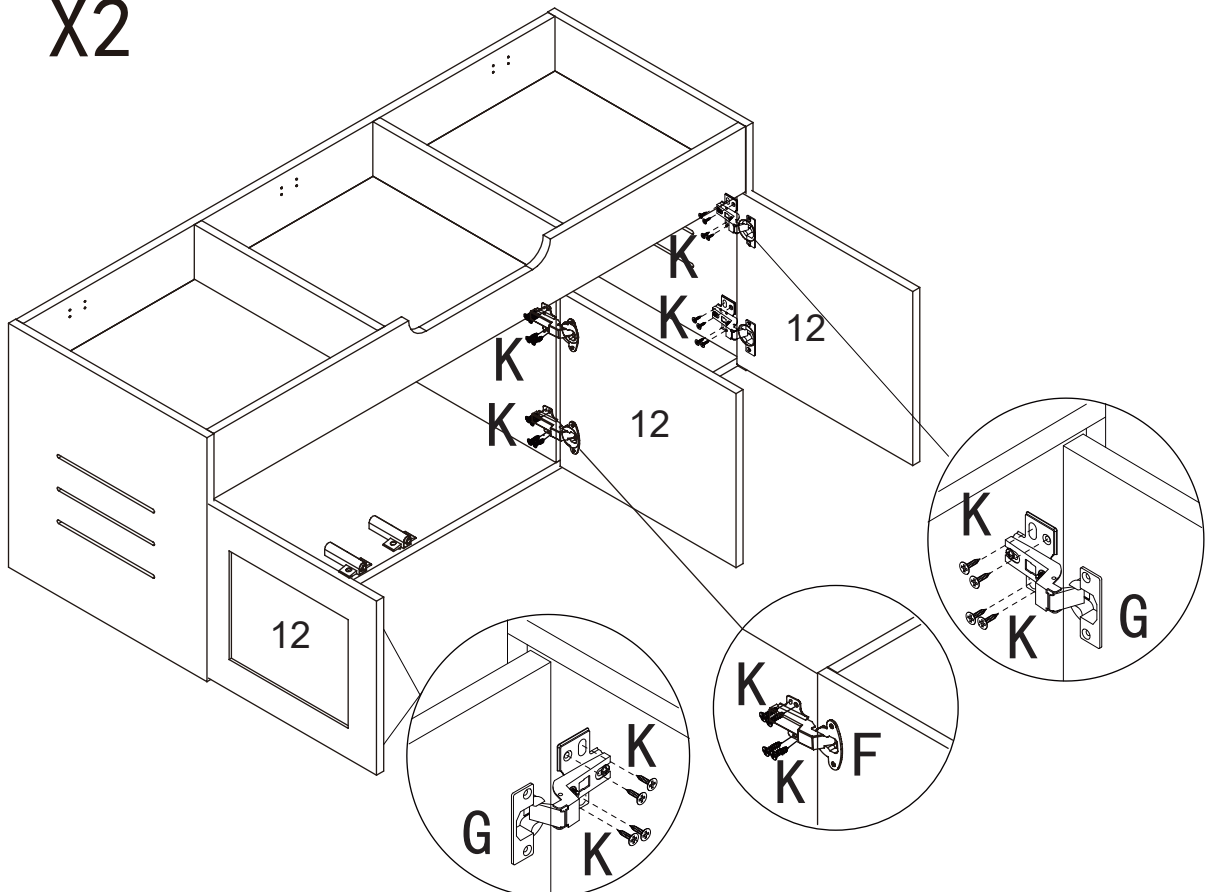
F\*4



H\*6



# 10. X2

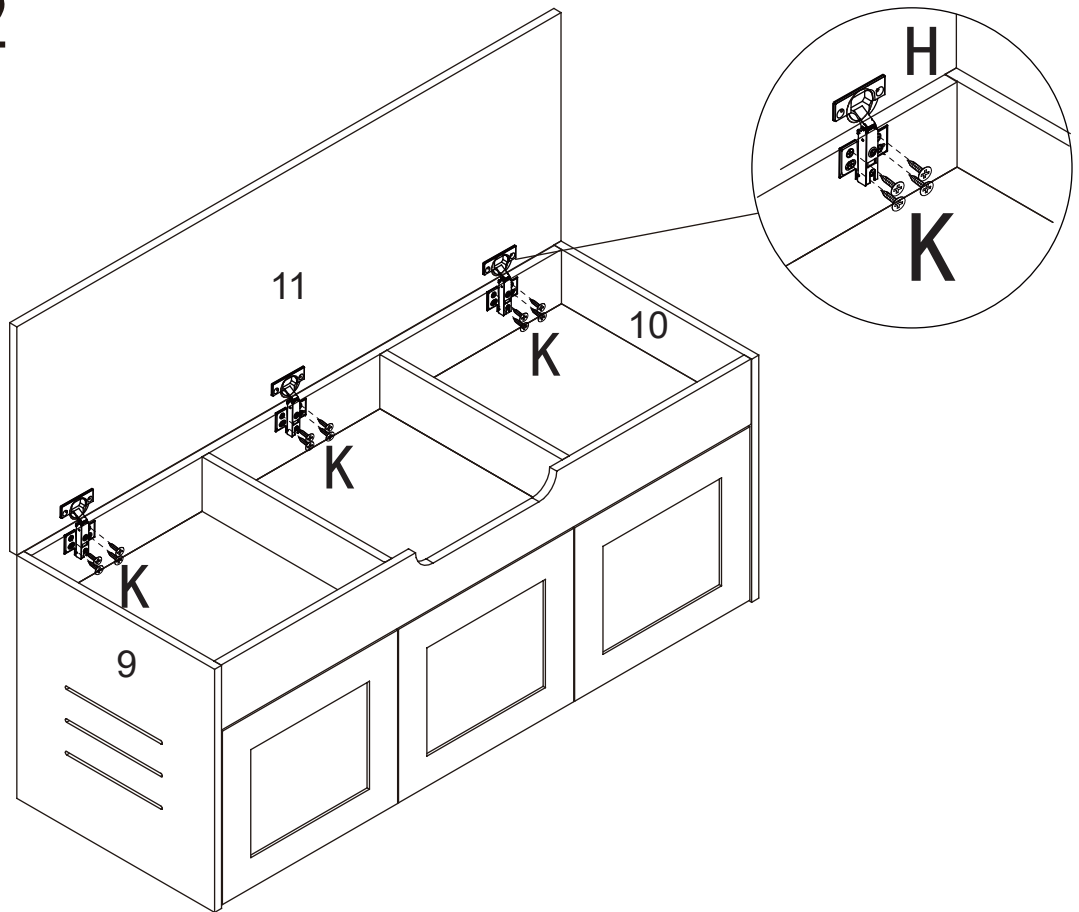


K\*48



Ø 3.5 x 14 mm

# 11. X2

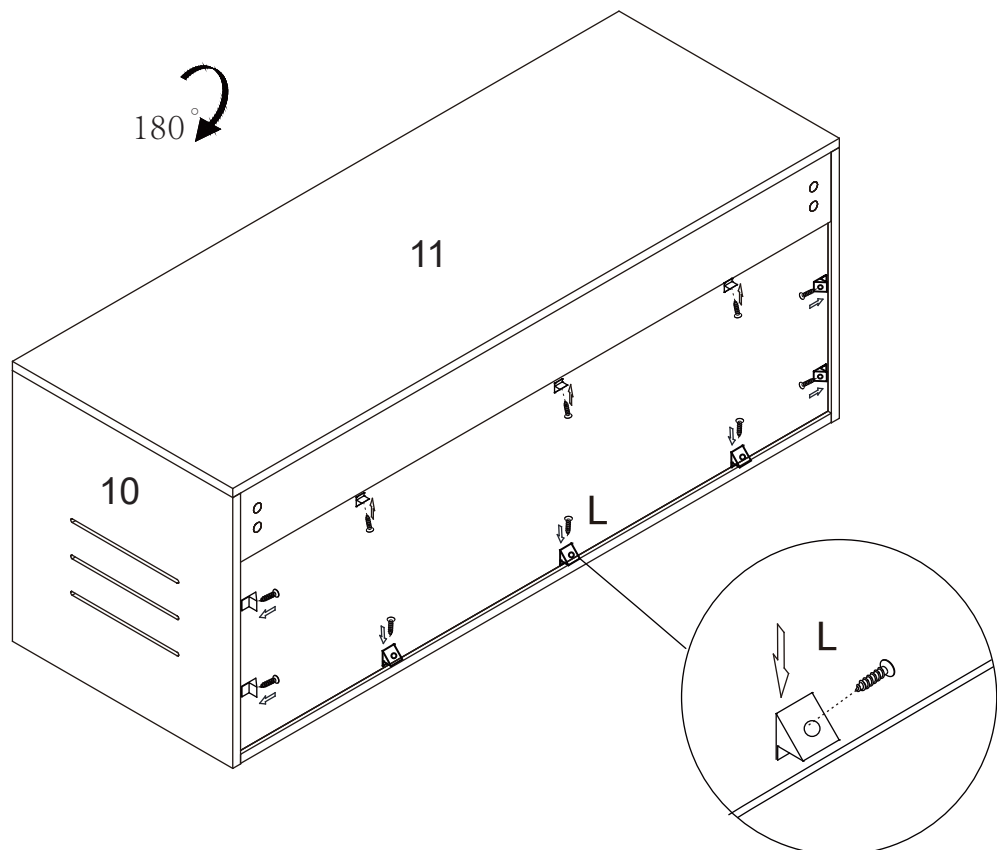


K\*24



Ø 3.5 x 14 mm

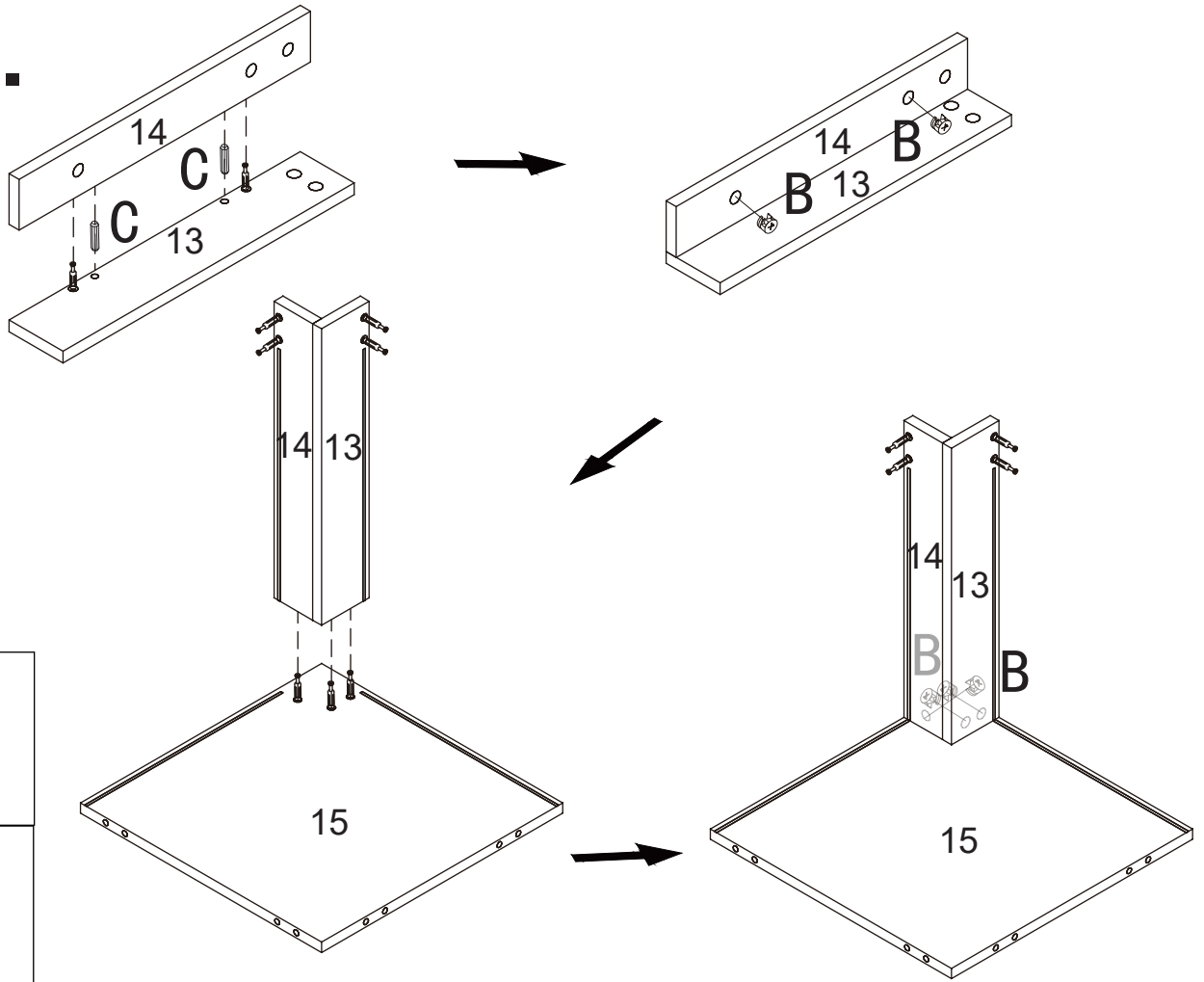
# 12. X2



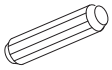
L\*20



# 13.



C\*2

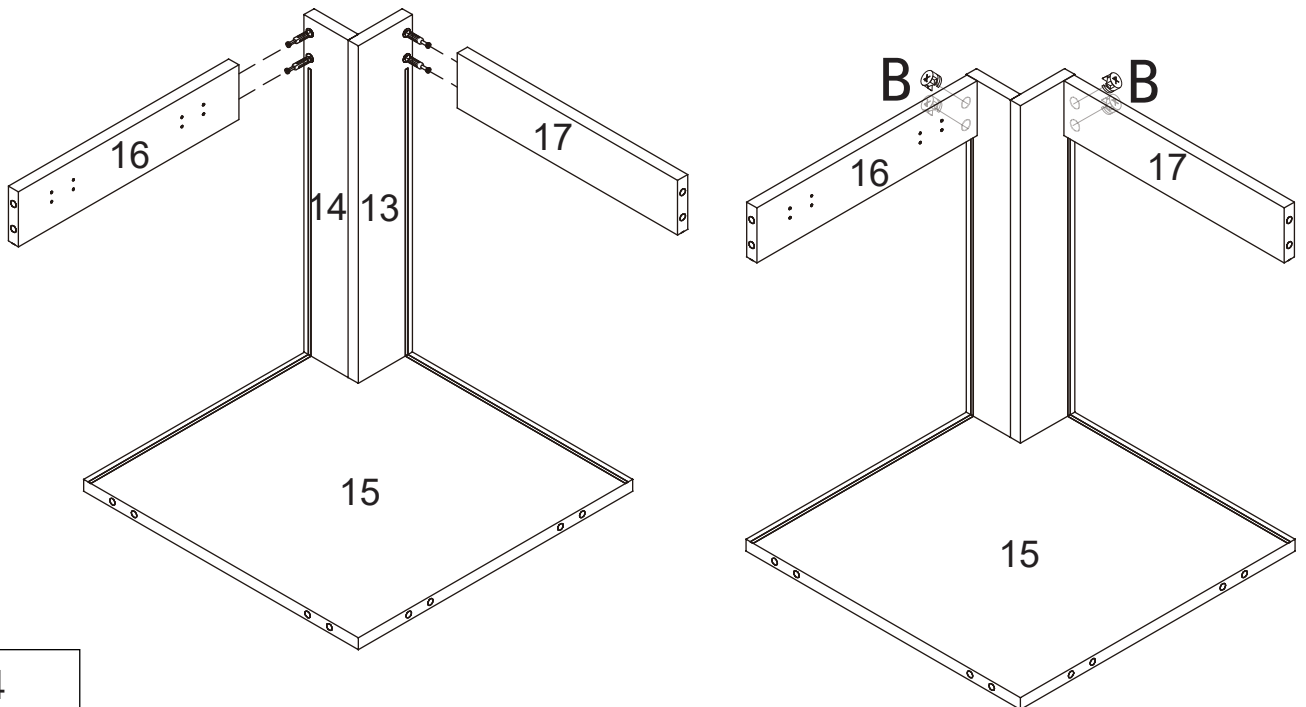


Ø8 x 30 mm

B\*5



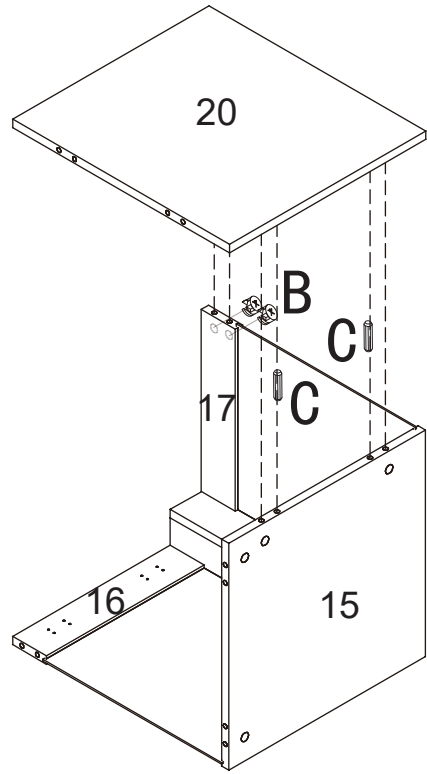
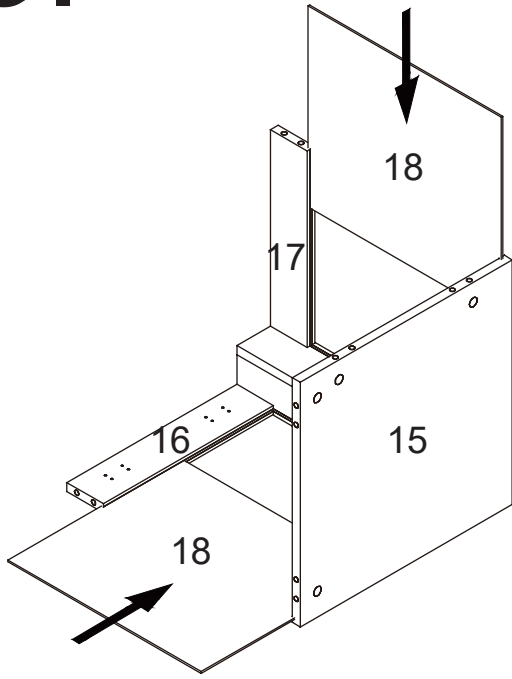
# 14.



B\*4



# 15.



B\*2

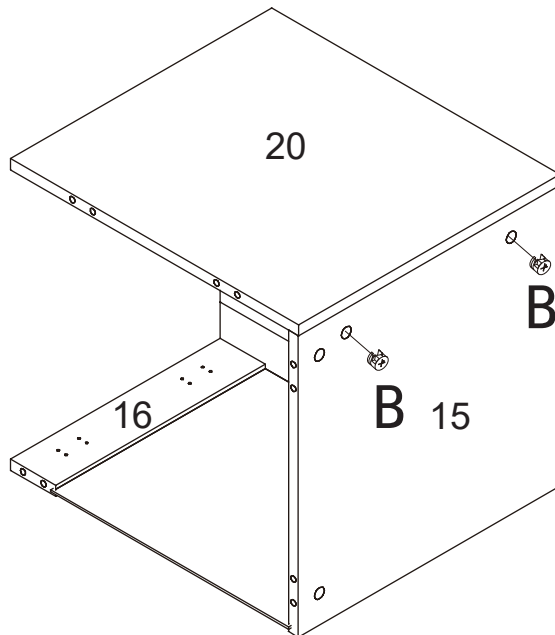


C\*2



Ø8 x 30 mm

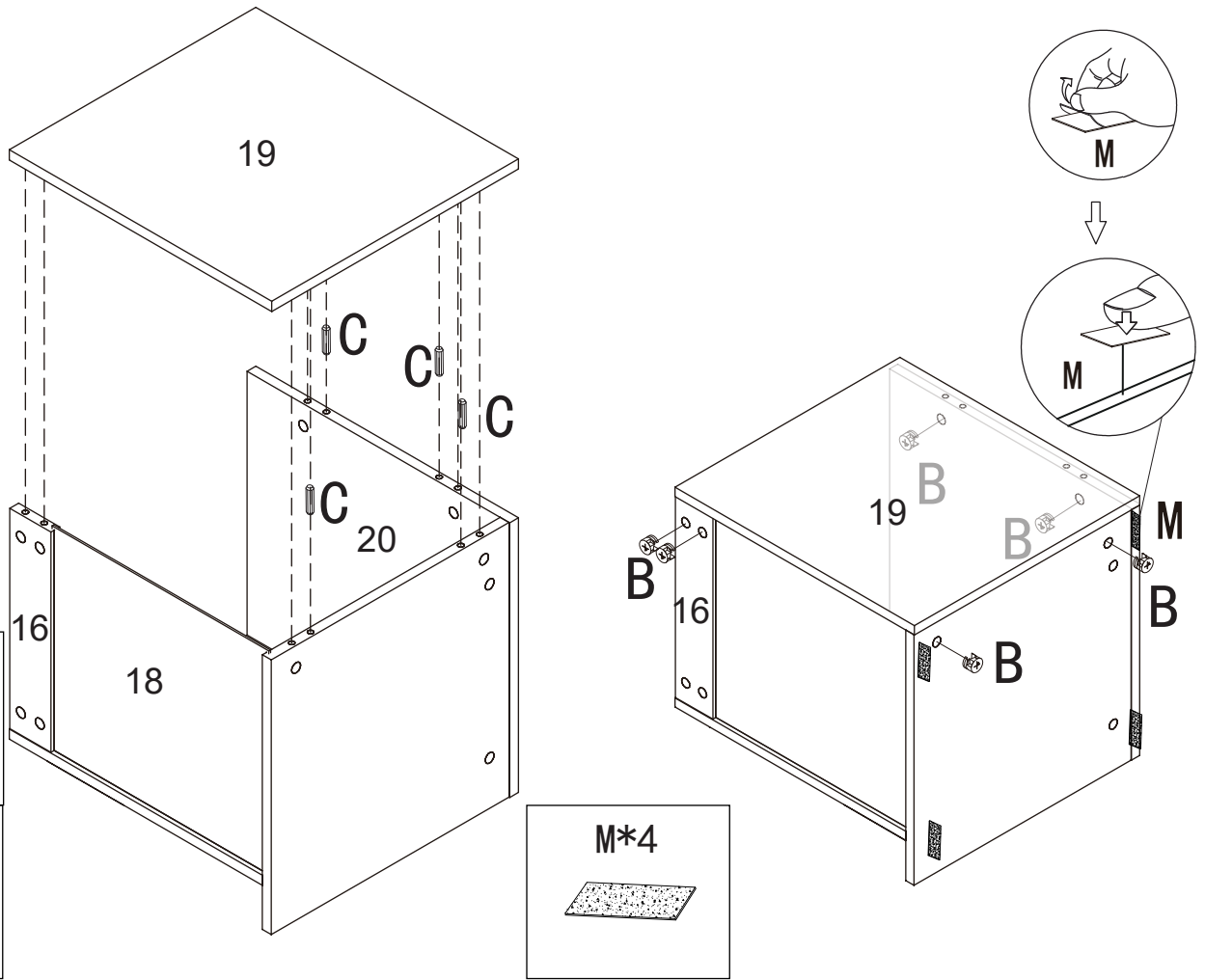
# 16.



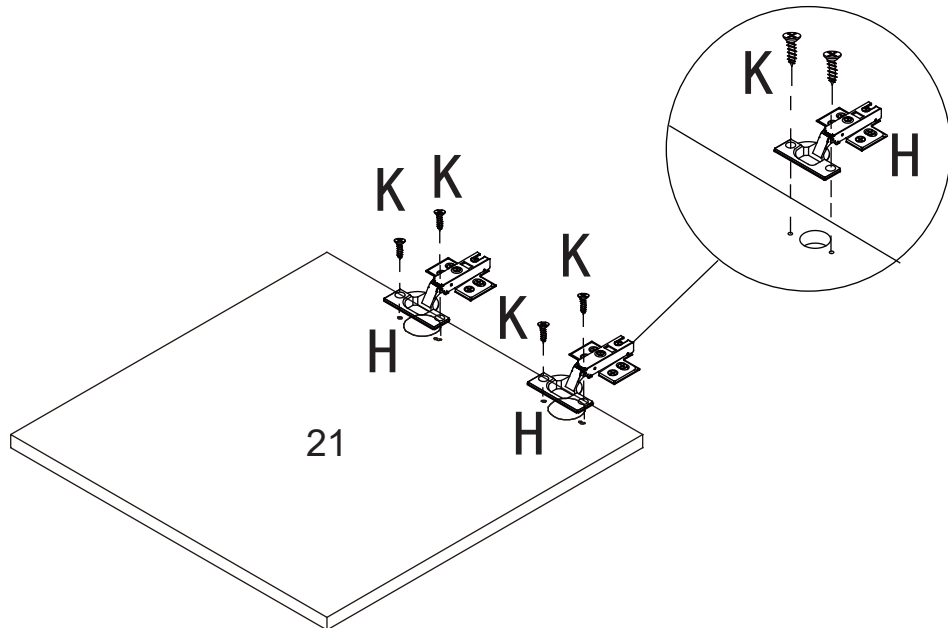
B\*2



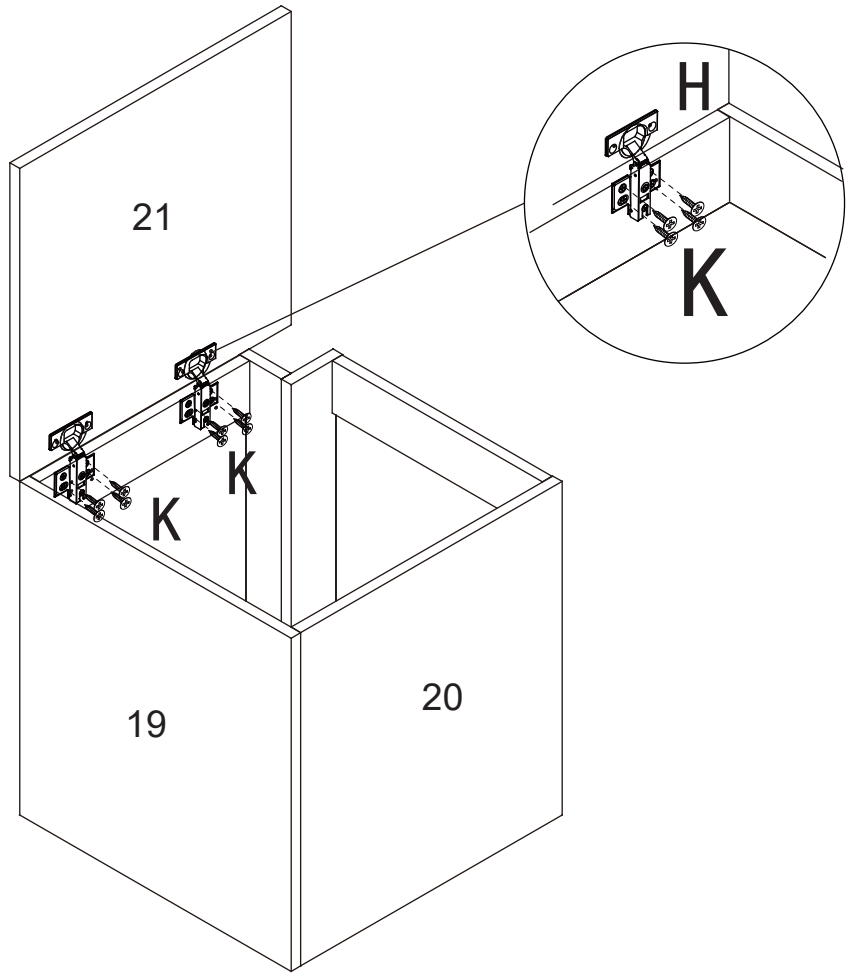
# 17.



# 18.



# 19.



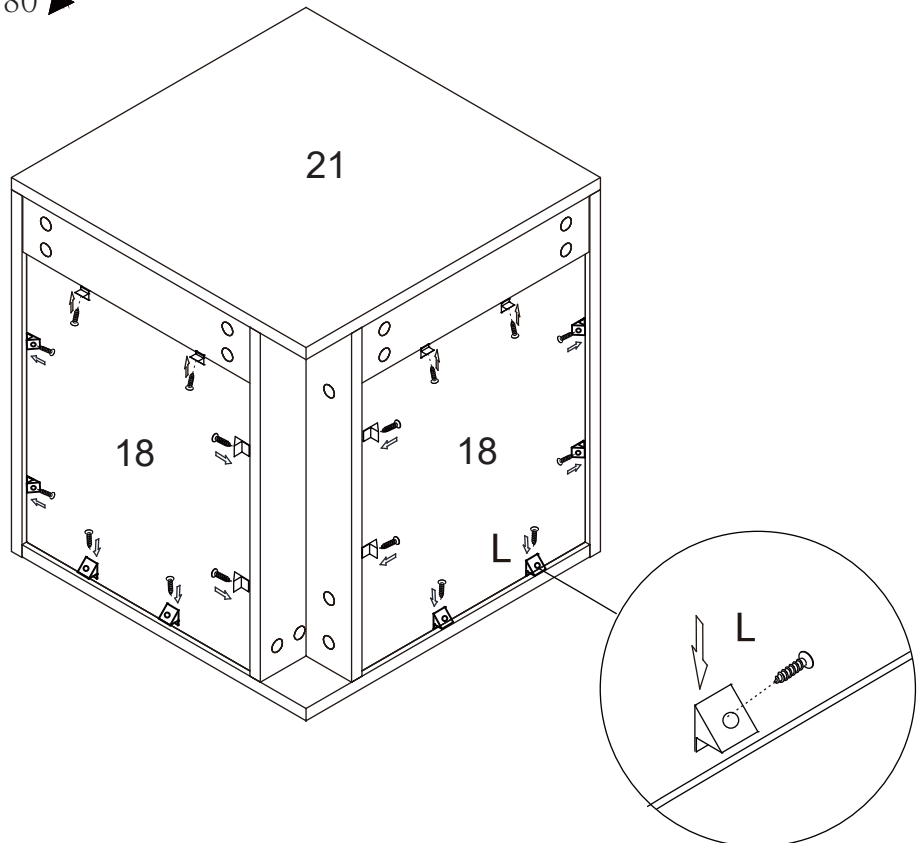
K\*8



Ø 3.5 x 14 mm

# 20.

180° ↻

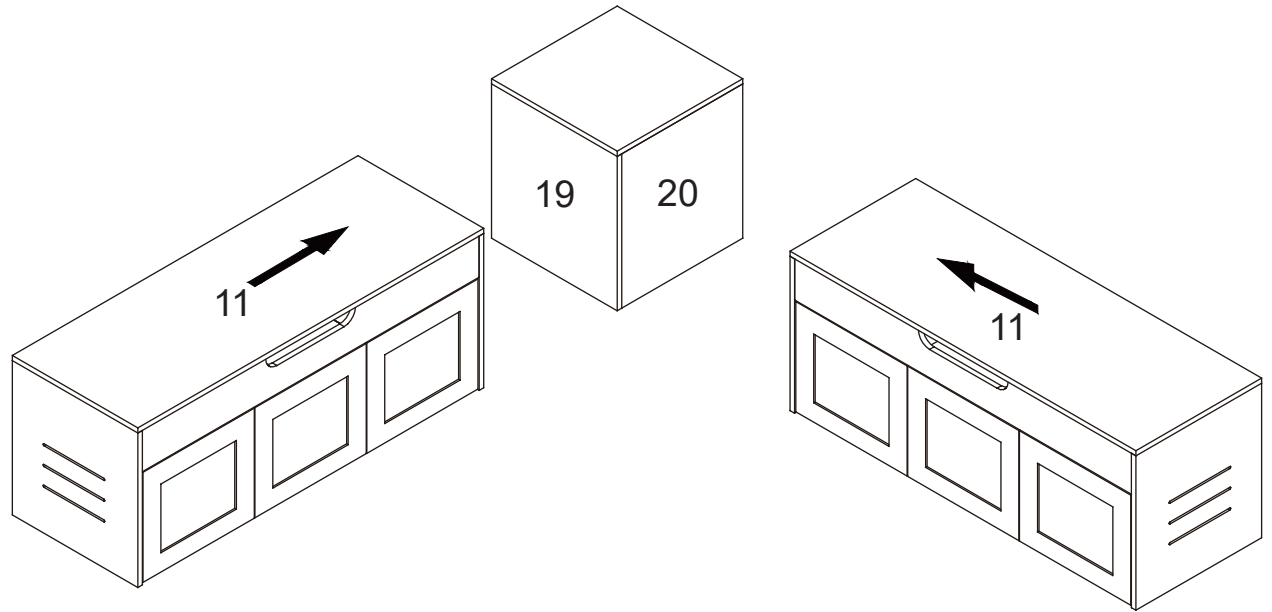


L\*16

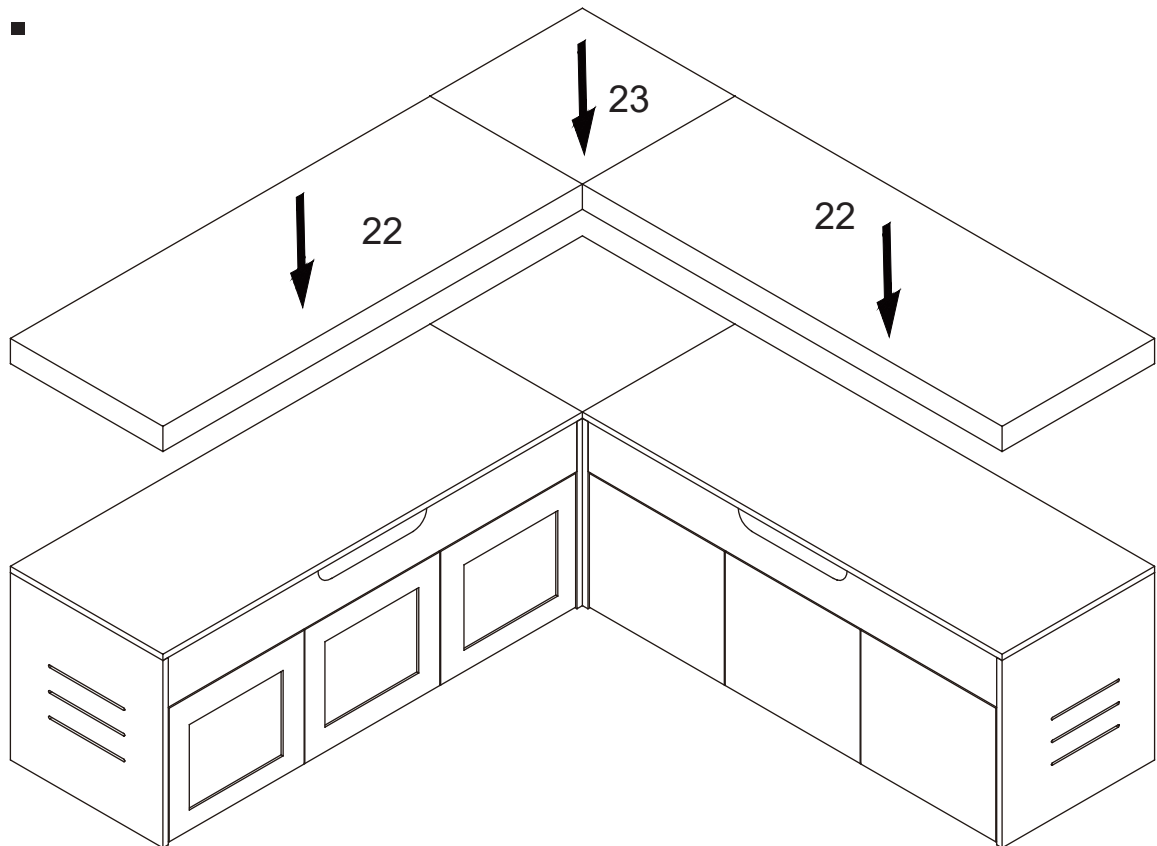


# 21.

Change the position at will according to your actual needs



# 22.



23.

