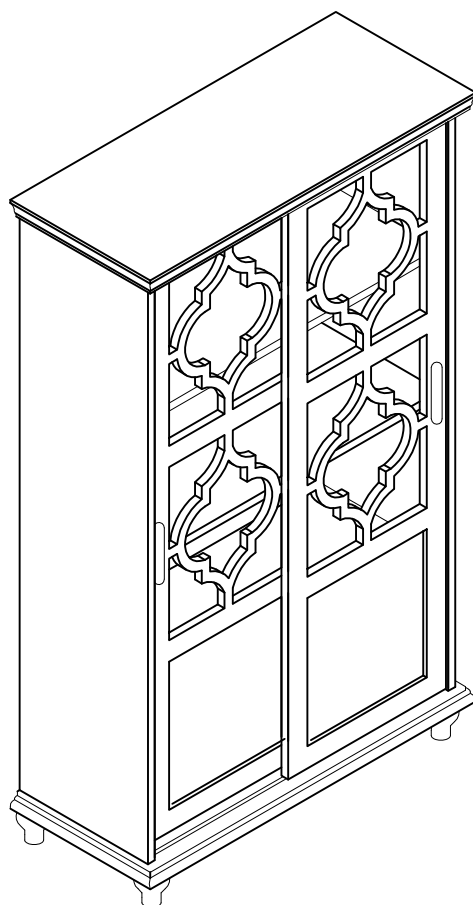


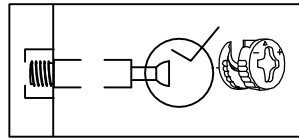
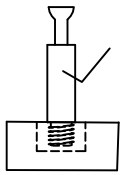
# ASSEMBLY INSTRUCTIONS



## NOTE TO CUSTOMERS:

- For ease and speed of assembly we recommend that before you commence each step of the assembly that you identify all the parts required to complete that step.
- We recommend that where possible you allow sufficient space to assemble the item as close as possible to the place where it will be once assembled.
- For the protection of your furniture we recommend that the product is placed on protected surfaces during assembly to prevent any damage.
- During assembly do not over tighten, as this may damage the product.
- Please ensure you retain all the product packaging until the item completely assembled.
- Please periodically check all fittings and re-tighten as necessary.
- Please never allow any liquids to remain on your furniture as absorption can cause the wood to warp or finish to de-laminate.
- It is recommended that this item should be assembled by two adults.

## To use a cam lock: (Please read below instructions before assembling)



1. Insert cam screw into hole as shown in diagram A .

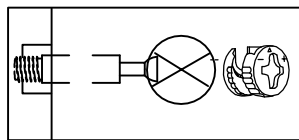
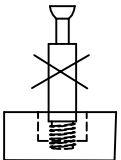


Diagram B

Make sure not to insert the cam screw:  
Too deep as shown in figure B as this will cause the  
cam screw to be misaligned and unable to  
interlock properly.

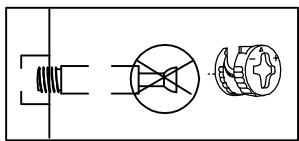
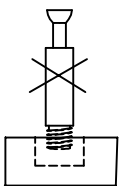
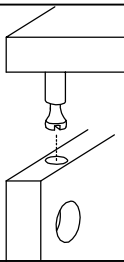
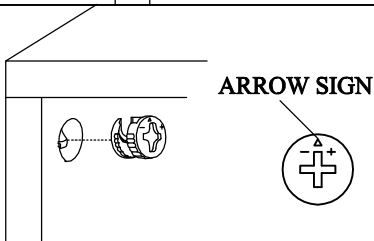


Diagram C

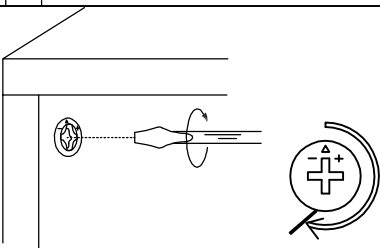
Also avoid inserting the cam screw too close to the  
surface of the hole as shown in figure C, as this will  
cause the cam lock to be too loose, and not interlock  
properly.



2. Connect the panels together.



3. When inserting the cam lock make sure the arrow  
of the cam lock faces the cam screw.



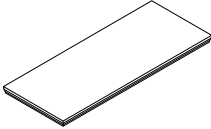
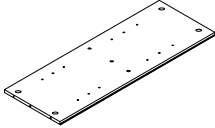
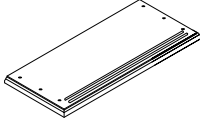
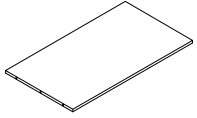

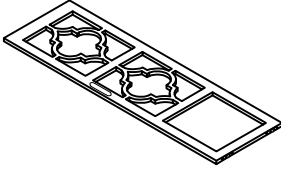
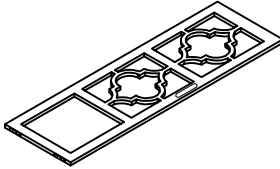
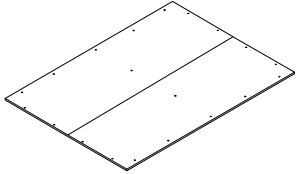
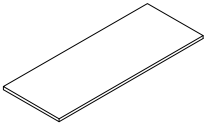
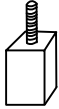
4. To tighten the cam lock turn the cam lock clockwise  
90-180 degree or until the arrow is facing opposite  
the place cam lock was inserted.

**NOTE: DO NOT USE AN AUTOMATIC  
SCREWDRIVER TO TIGHTEN CAM LOCKS.**

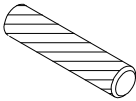
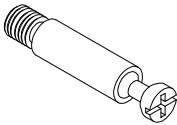



### Note:

- Read these instructions carefully before assembling.
- Tools required : Phillips screwdriver, flat screwdriver.
- Find a clean, smooth area on which to work , such as a carpet, in order to avoid scratching the wood surfaces.
- Wait to dispose of the packing material until assembly is complete and all parts and hardware are accounted for.
- Two or more people might be required for assembly.

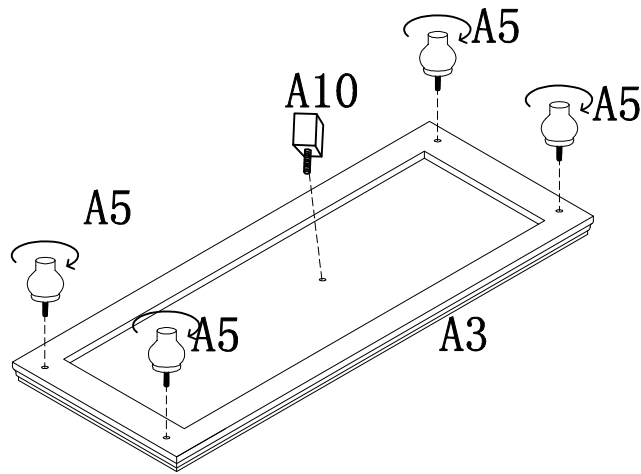
# Part List

<p>A1 <span style="float: right;">Quantity of 1</span></p>  <p>Top Panel</p>	<p>A2 <span style="float: right;">Quantity of 2</span></p>  <p>Side Panel</p>	<p>A3 <span style="float: right;">Quantity of 1</span></p>  <p>Bottom Panel</p>	<p>A4 <span style="float: right;">Quantity of 1</span></p>  <p>Middle Shelf</p>
<p>A5 <span style="float: right;">Quantity of 4</span></p>  <p>Leg</p>	<p>A6 <span style="float: right;">Quantity of 1</span></p>  <p>Door (left)</p>	<p>A7 <span style="float: right;">Quantity of 1</span></p>  <p>Door (right)</p>	<p>A8 <span style="float: right;">Quantity of 1</span></p>  <p>Back Panel</p>
<p>A9 <span style="float: right;">Quantity of 2</span></p>  <p>Adjustable Shelf</p>	<p>A10 <span style="float: right;">Quantity of 1</span></p>  <p>Middle Leg</p>		

# Hardware List

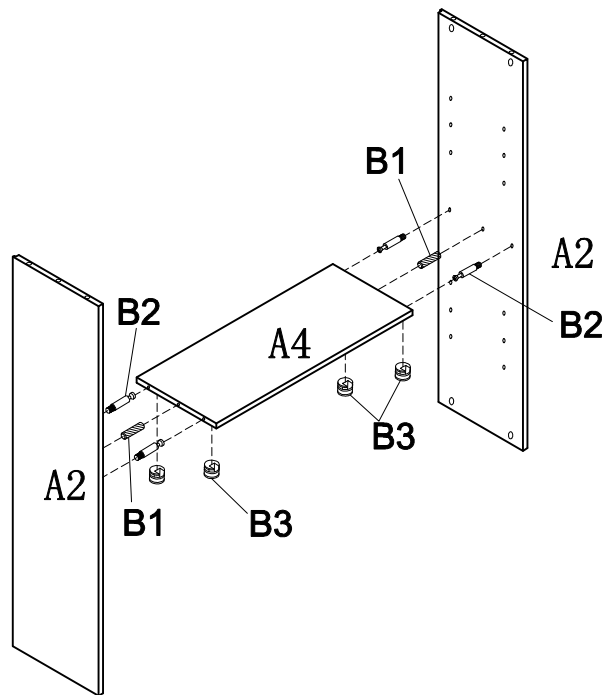
<p>B1 <span style="float: right;">Quantity of 6</span></p>  <p>Wood Dowel</p>	<p>B2 <span style="float: right;">Quantity of 12</span></p>  <p>Cam-bolt</p>	<p>B3 <span style="float: right;">Quantity of 12</span></p>  <p>Cam-Lock</p>	<p>B4 <span style="float: right;">Quantity of 20</span></p>  <p>Screw</p>
<p>B5 <span style="float: right;">Quantity of 8</span></p>  <p>Shelf Support</p>			


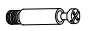

# STEP 1



Assemble Legs (A5) and Middle Leg (A10) to the bottom of Bottom Panel (A3).

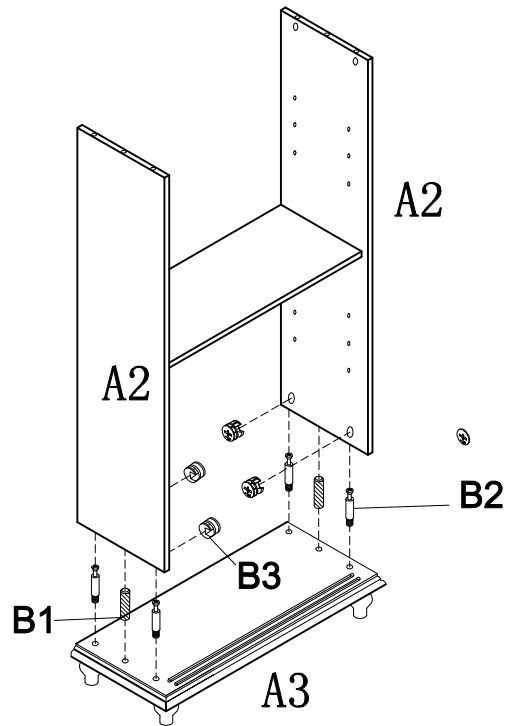
# STEP 2






B1		2pcs
B2		4pcs
B3		4pcs

Assemble Side Panel (A2) to Middle Shelf (A4) using Cam-Bolts(B2), Cam-Locks(B3) and Wood Dowels (B1).

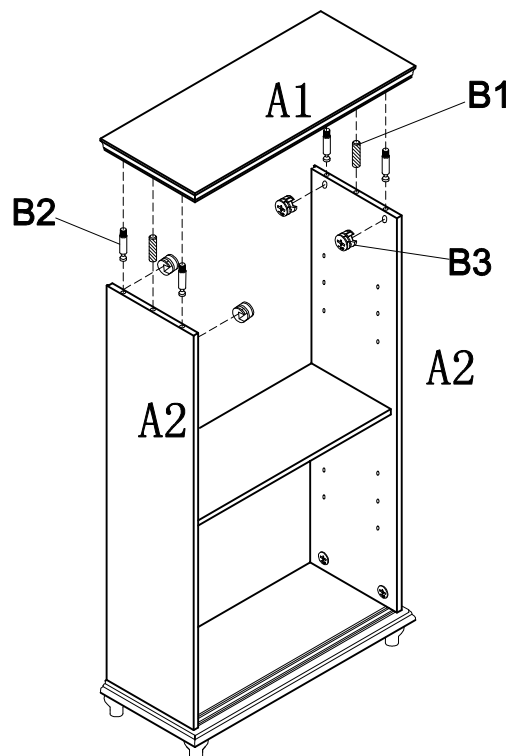
## STEP 3


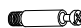



B1		2pcs
B2		4pcs
B3		4pcs

Assemble Side Panels (A2) to Bottom Panel (A3) using Wood Dowels (B1), Cam-Bolts (B2) and Cam-Locks (B3).


## STEP 4

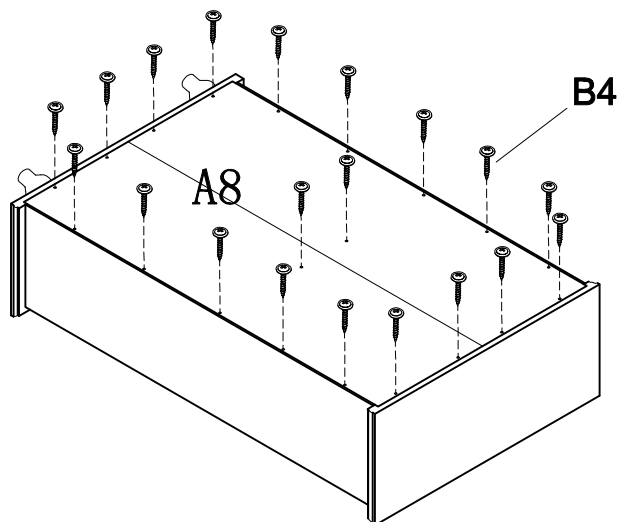


B1		2pcs
B2		4pcs
B3		4pcs

Assemble Top Panel (A1) to Side Panels (A2) using Wood Dowels (B1), Cam-Bolts (B2) and Cam-Locks (B3).

## STEP 5

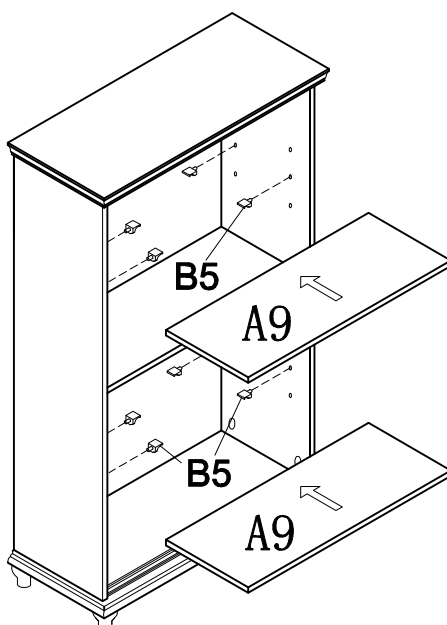
B4  20pcs



Attach Back Panel (A8) to the back of this unit using Screws (B4).

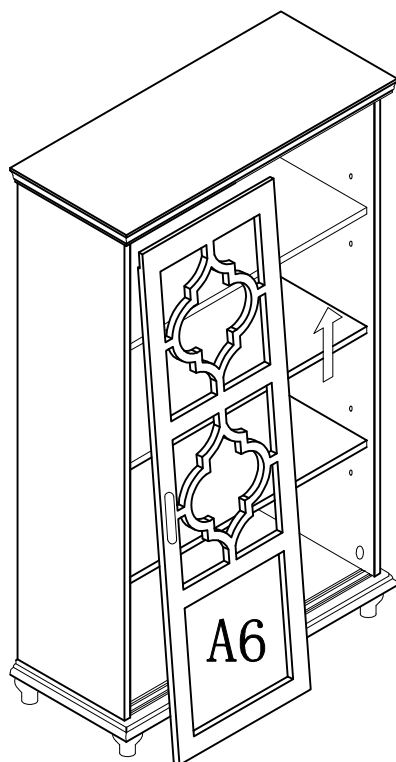
## STEP 6

B5  8pcs



1. Insert Shelf Supports (B5) into holes on Side Panels (A2).
2. Place Shelves (A9) onto Shelf Supports (B5).

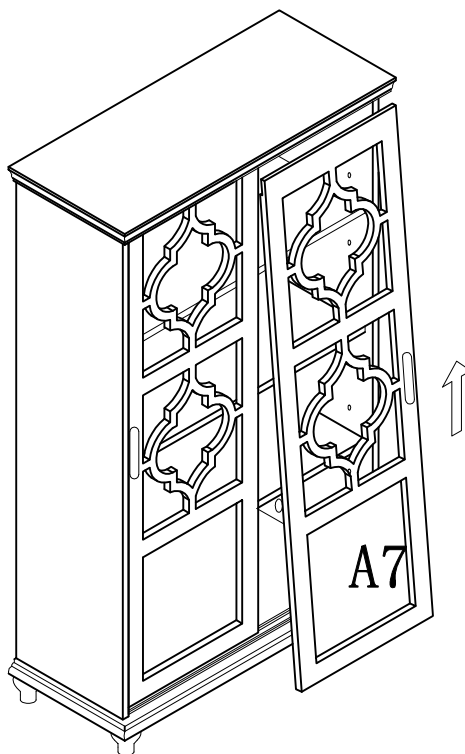
## STEP 7



Insert Door Panel (F) to Top Panel (A1) and Bottom Panel (A2).

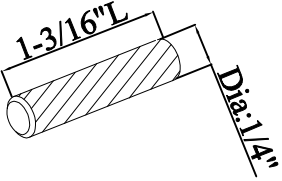
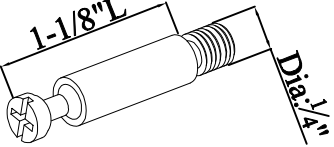
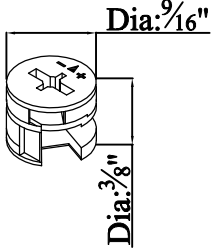
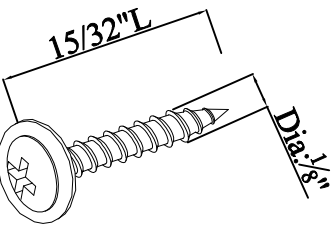
Note: Please slightly incline the door so that the groove on top of door can catch the glide on top panel.

## STEP 8



Repeat Step 8 to assemble the other door(A7).

APPENDIX: Dimension of Hardwares in this AI.

<p>B1.</p>  <p>Wood Dowel</p>	<p>B2.</p>  <p>Cam-bolt</p>	<p>B3.</p>  <p>Cam-lock</p>
<p>B4.</p>  <p>Screw</p>		