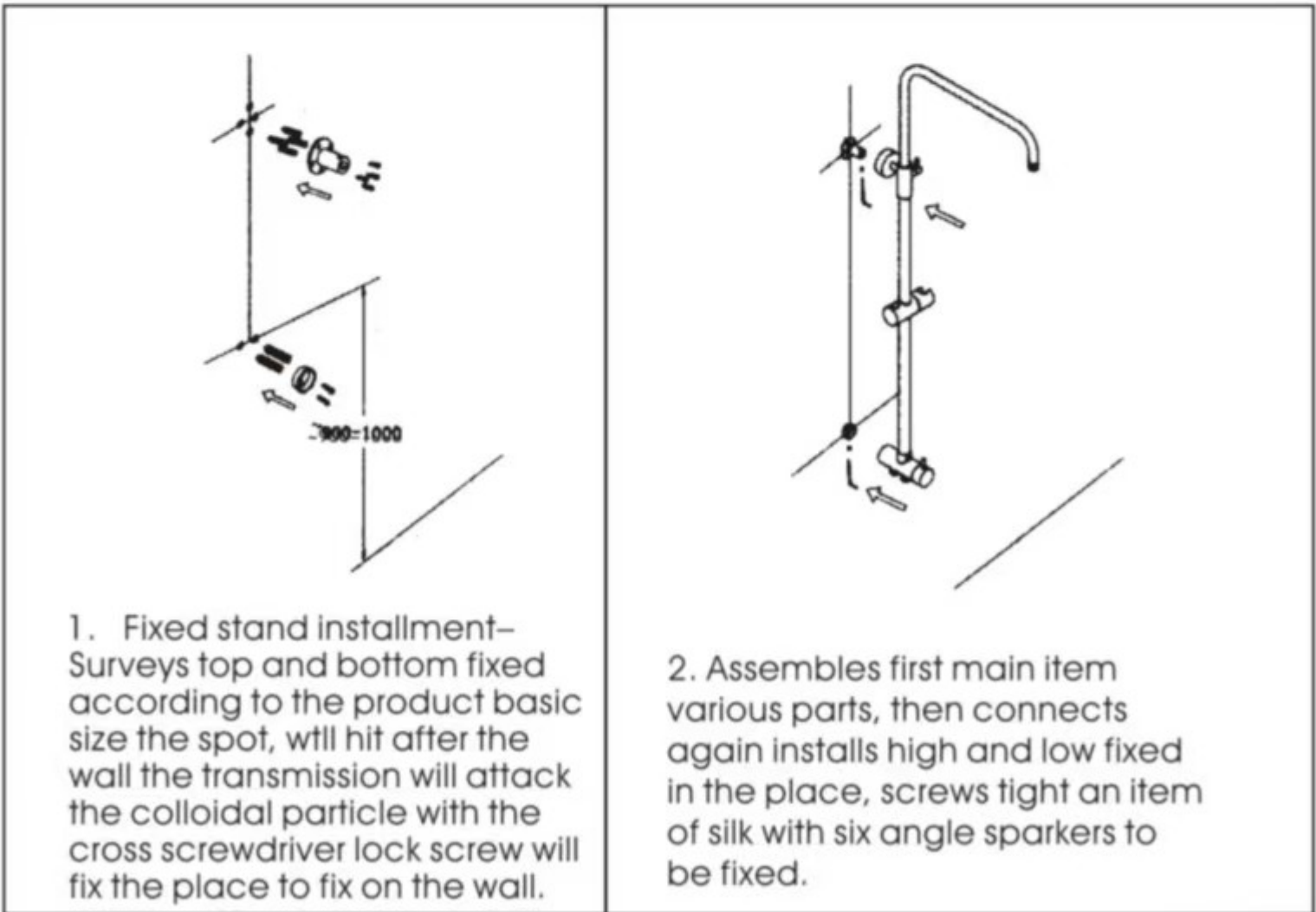
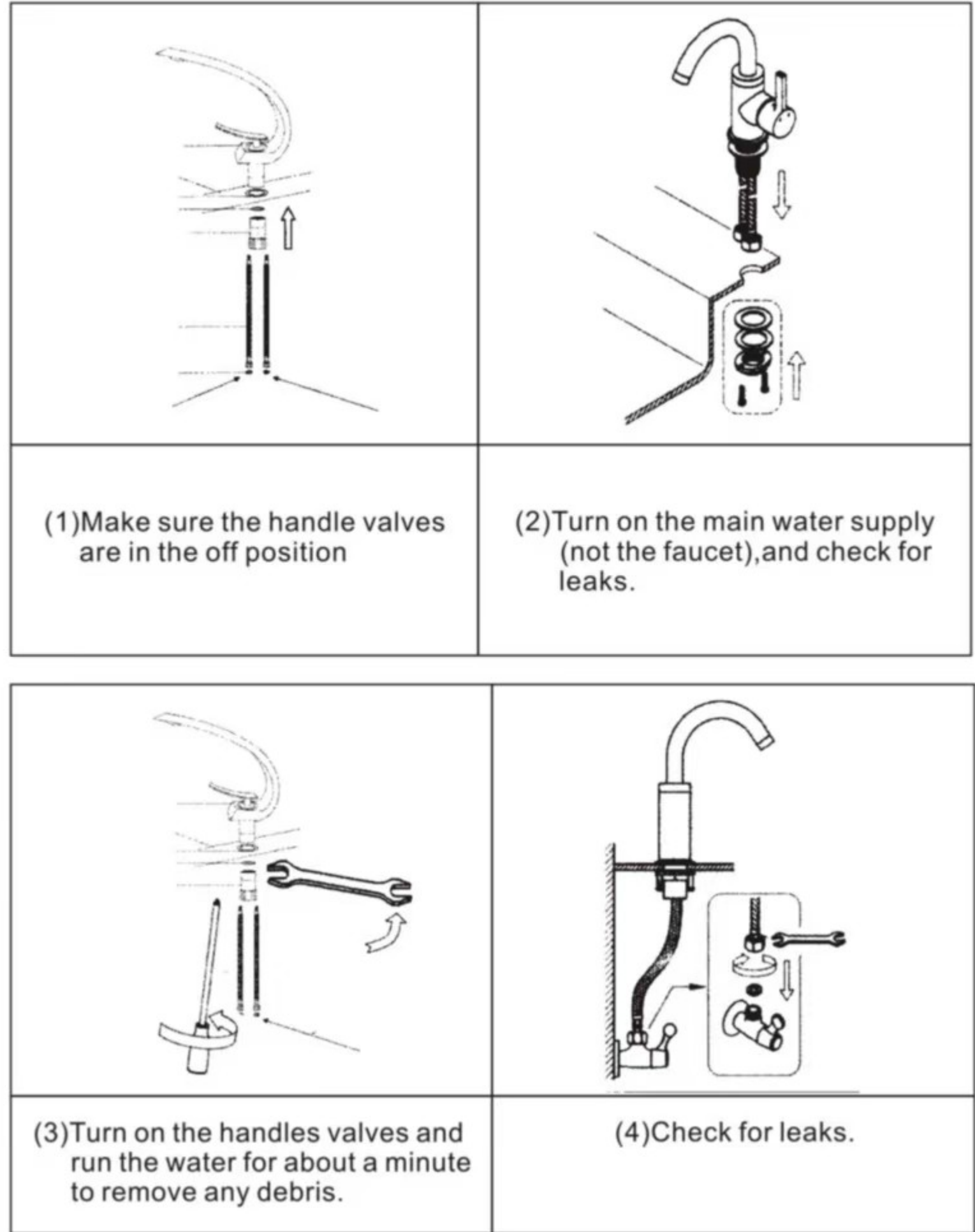


New concept shower set installation



FAUCET INSTALLATION A1 FAUCET WITH ONE HOLE I Installation steps:



For easy installation you will need to:

READ ALL the instructions completely before beginning.

READ ALL warnings, care, and maintenance information.

(1) Please check the accessories first.

(2) These instructions are typical faucet installation method as the reference guide, may differ from your actual product. The installation steps still applied.

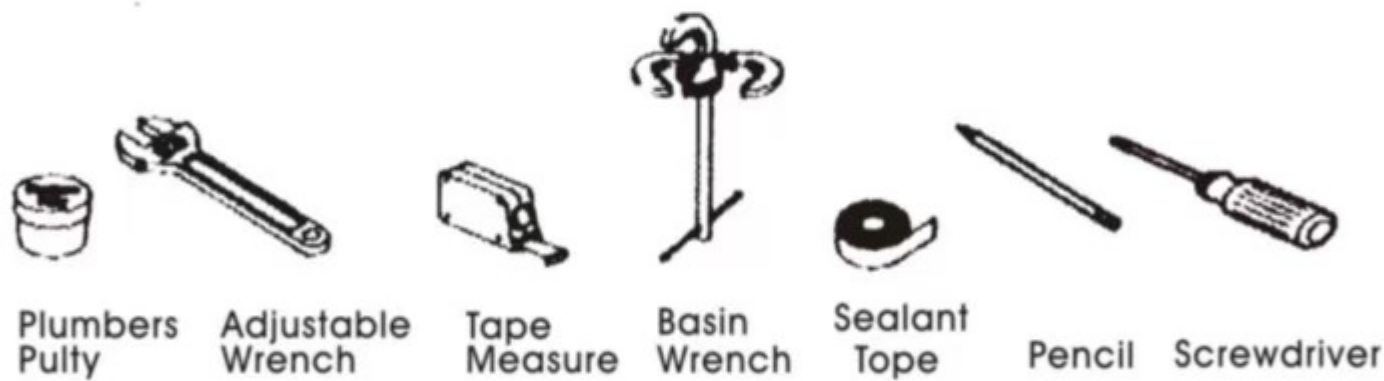
(3) We strongly advise to ask skilled plumber to install this faucet.

IMPORTANT INSTRUCTIONS

[1] Operating Conditions

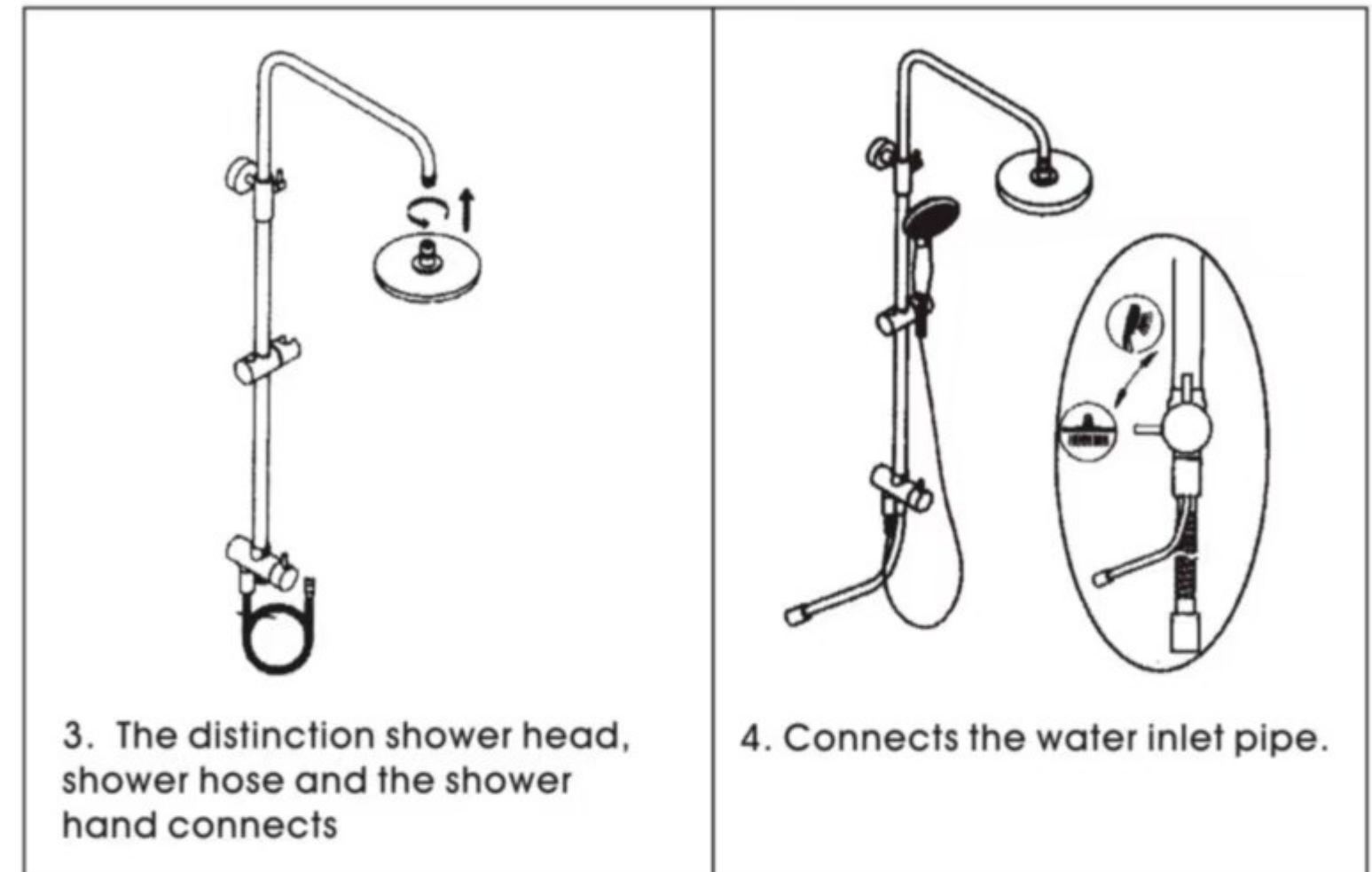
Recommended operating pressure 0.1~0.6Mpa

[2] Tools you may need when installing the faucet.



[3] Before You Begin

- Inspect the supply tubing for damage. Replace or clean it if necessary.
- Before installation, you must confirm water inlet pipeline connect with angle valve well.
- Flush the water inlet pipeline to ensure there's no impurity inside the pipeline.
- Shut off the main water supply.



5 Now the faucet is installed, turn on the water supply to check every attachment point if leakage, if leaking, tighten it, if not, the faucet is ready for using.